

US00D963151S

(12) **United States Design Patent**  
**He**

(10) **Patent No.:** **US D963,151 S**

(45) **Date of Patent:** **\*\* Sep. 6, 2022**

- (54) **FAN**
- (71) Applicant: **Shenzhen Xunzhiyou Technology Co., Ltd.**, Guangdong (CN)
- (72) Inventor: **Yifang He**, Guangdong (CN)
- (73) Assignee: **Shenzhen Xunzhiyou Technology Co., Ltd.**, Shenzhen (CN)

D923,773 S *	6/2021	Wang	.....	D23/382
D933,803 S *	10/2021	He	.....	D23/382
D940,850 S *	1/2022	He	.....	D23/382
D946,135 S *	3/2022	Tam	.....	D23/382
D948,702 S *	4/2022	Ma	.....	D23/382
D953,516 S *	5/2022	Chen	.....	D23/382
11,326,611 B1 *	5/2022	Huang	.....	F04D 25/084
2007/0170320 A1 *	7/2007	Sun	.....	F04D 25/08 248/177.1

- (\*\*) Term: **15 Years**
- (21) Appl. No.: **29/761,188**
- (22) Filed: **Dec. 8, 2020**

\* cited by examiner

Primary Examiner — Sharon S Oum

(30) **Foreign Application Priority Data**

Nov. 19, 2020 (CN) ..... 202030702860.6

- (51) **LOC (13) Cl.** ..... **23-04**
- (52) **U.S. Cl.**  
USPC ..... **D23/382**

- (58) **Field of Classification Search**  
USPC ..... D23/328, 332–337, 341, 351, 352, 355,  
D23/356, 370, 371, 378, 381–383,  
D23/411–412  
CPC .... F04D 25/0673; F04D 25/08; F04D 25/084;  
F04D 29/4226; F04D 25/086  
See application file for complete search history.

(56) **References Cited**

U.S. PATENT DOCUMENTS

D754,318 S *	4/2016	Thirouin	.....	D23/370
D910,160 S *	2/2021	Hsu	.....	D23/382

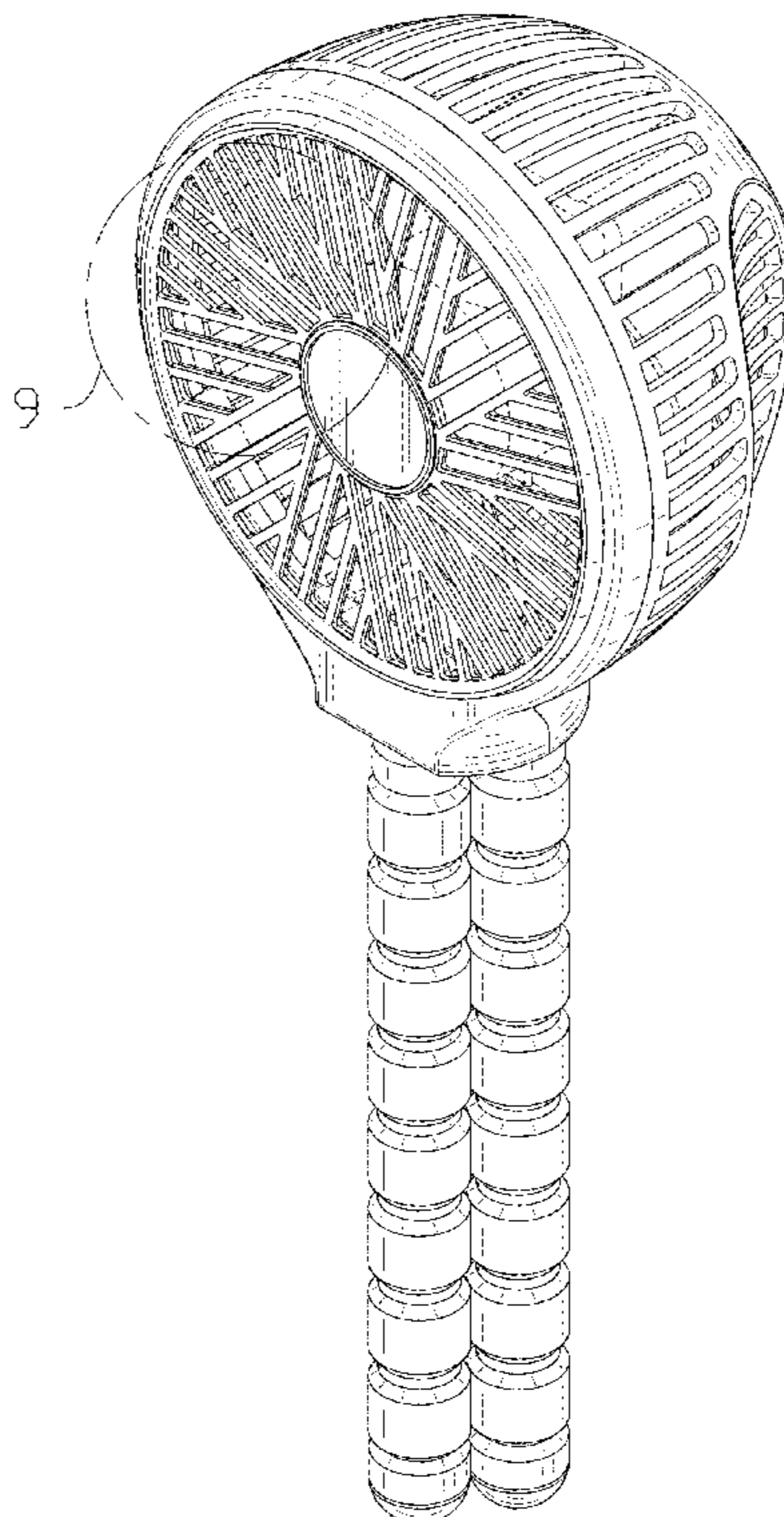
(57) **CLAIM**

The ornamental design for a fan, as shown and described.

**DESCRIPTION**

FIG. 1 is a top, front and right side perspective view of a fan showing my new design;  
 FIG. 2 is a bottom, rear and left side perspective view thereof;  
 FIG. 3 is a front elevational view thereof;  
 FIG. 4 is a rear elevational view thereof;  
 FIG. 5 is a left side view thereof;  
 FIG. 6 is a right side view thereof;  
 FIG. 7 is a top plan view thereof;  
 FIG. 8 is a bottom plan view thereof; and,  
 FIG. 9 is an enlarged view of portion 9 in FIG. 1.  
 The broken lines in the drawings illustrate portions of the fan which form no part of the claimed design.  
 The dot-dash broken lines encircling portions of the Fan in FIG. 1 and FIG. 9 form no part of the claimed design.

**1 Claim, 9 Drawing Sheets**



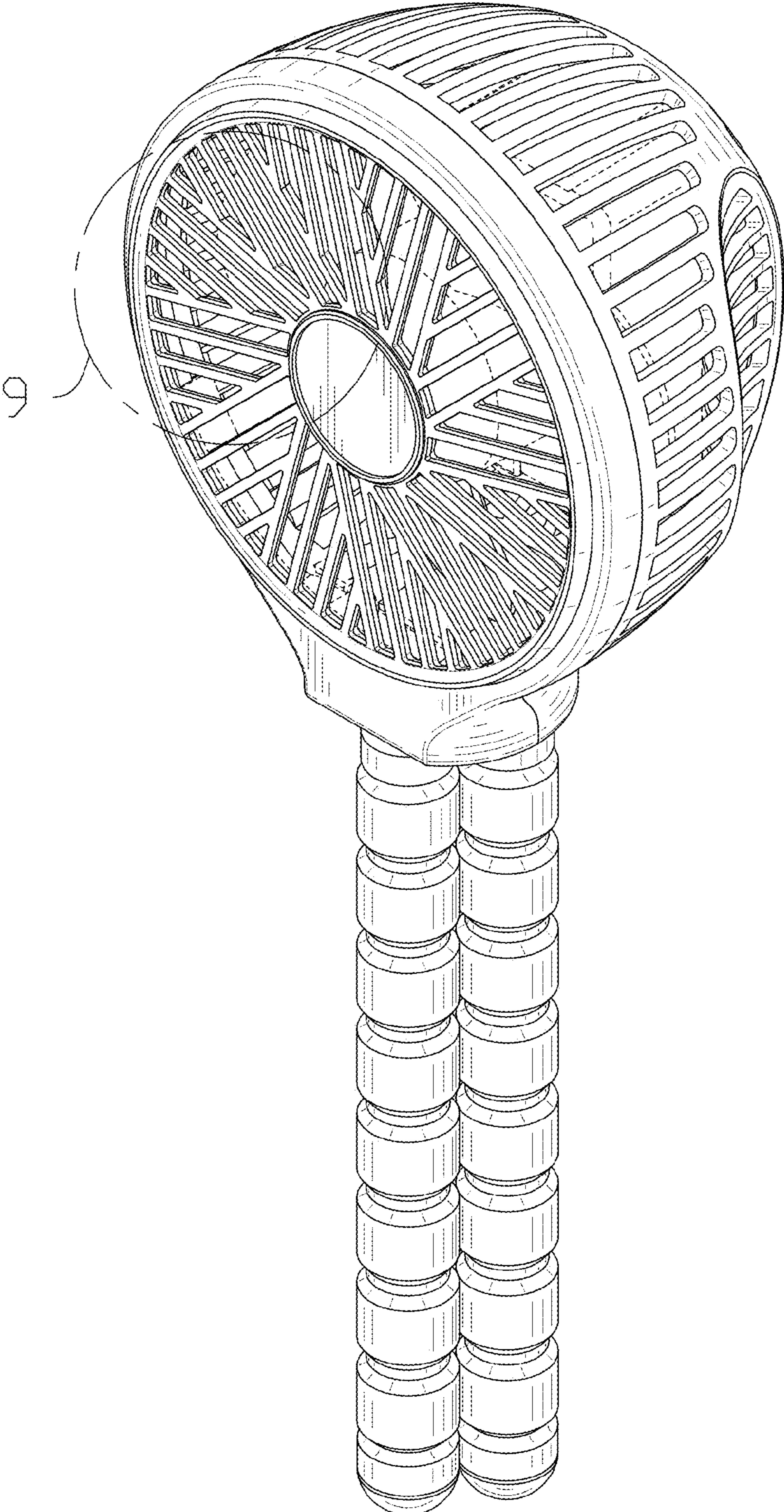


FIG. 1

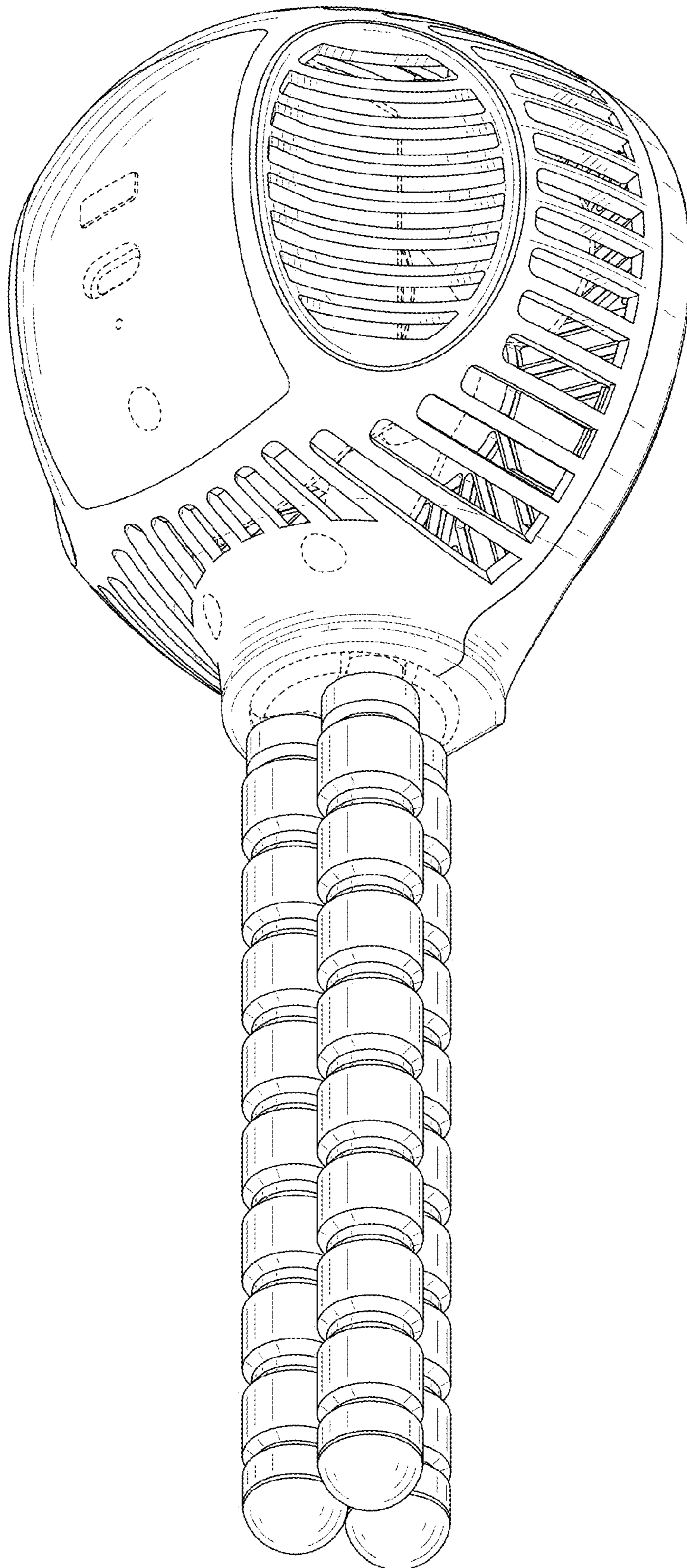


FIG. 2

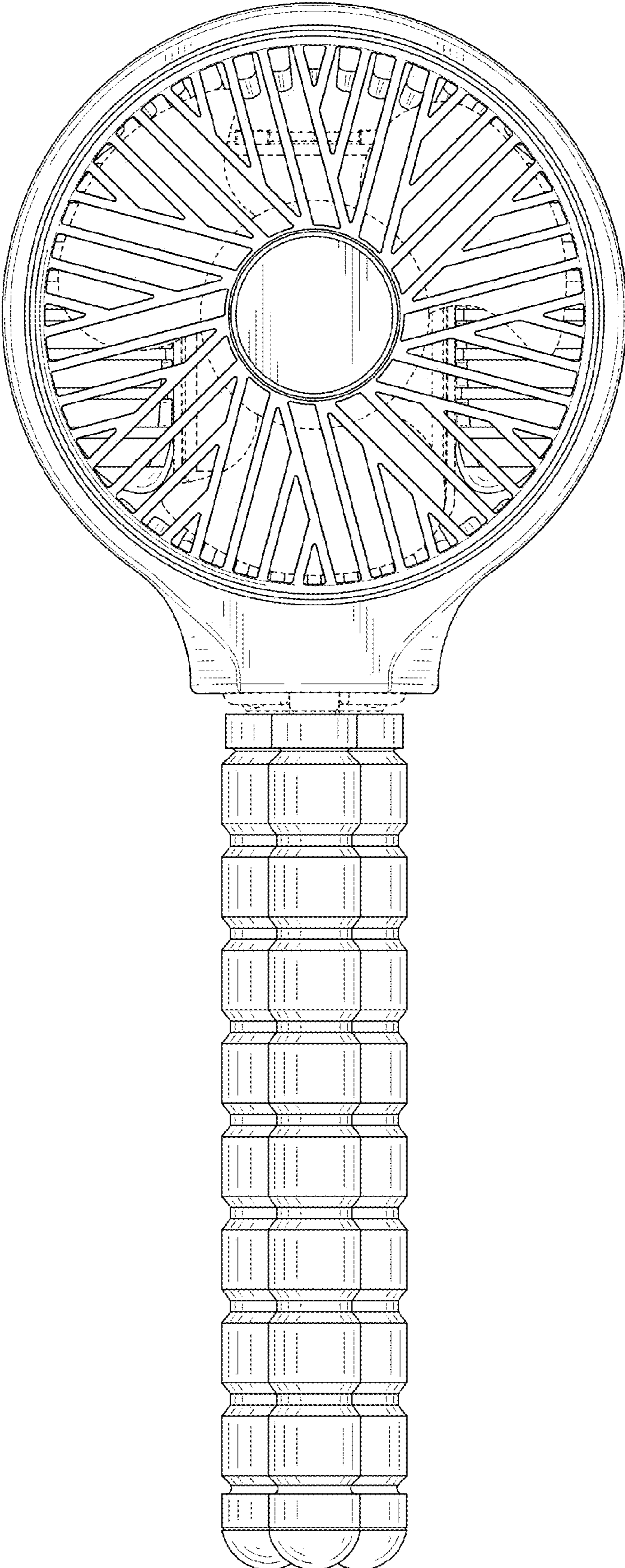


FIG. 3

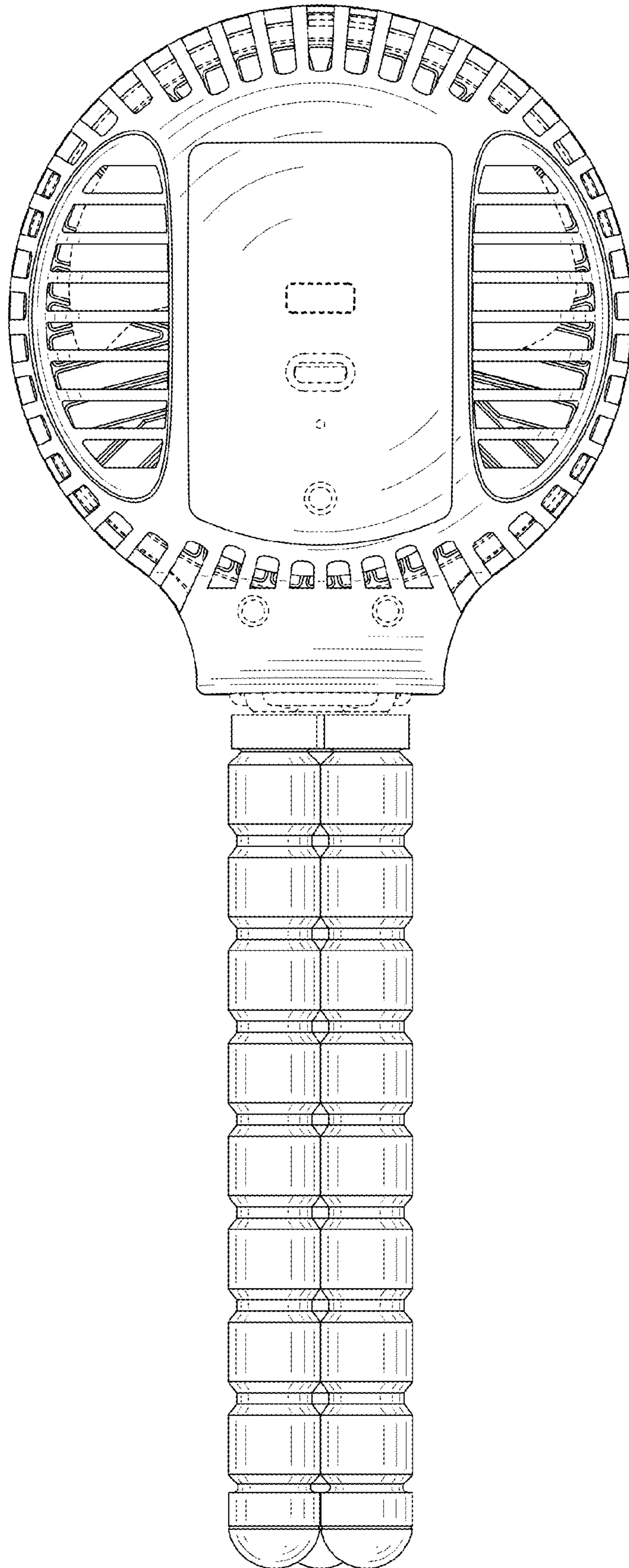


FIG. 4

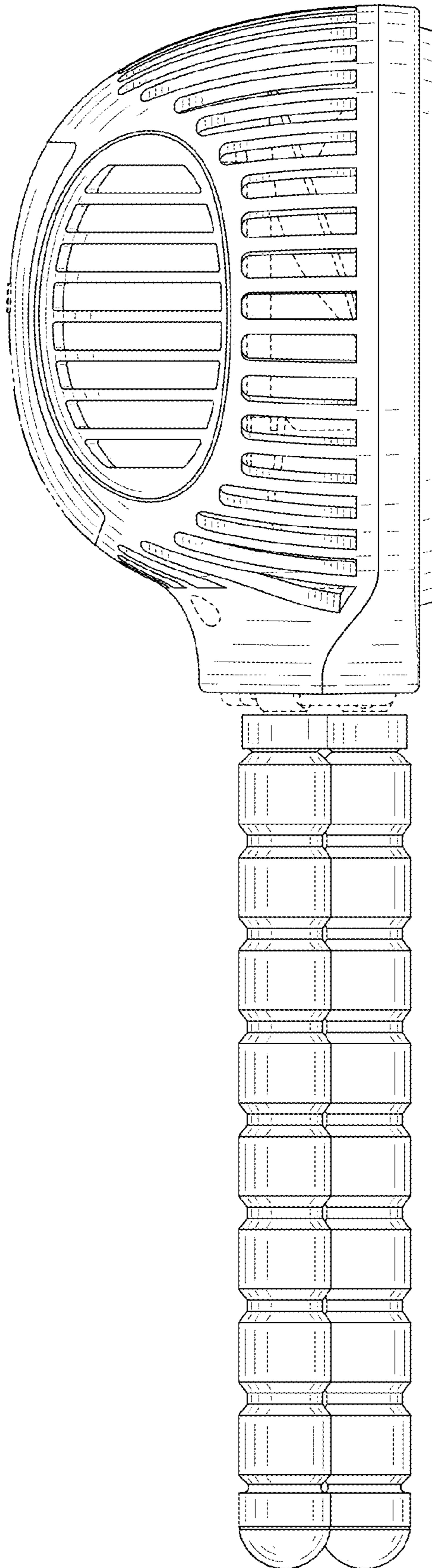


FIG. 5

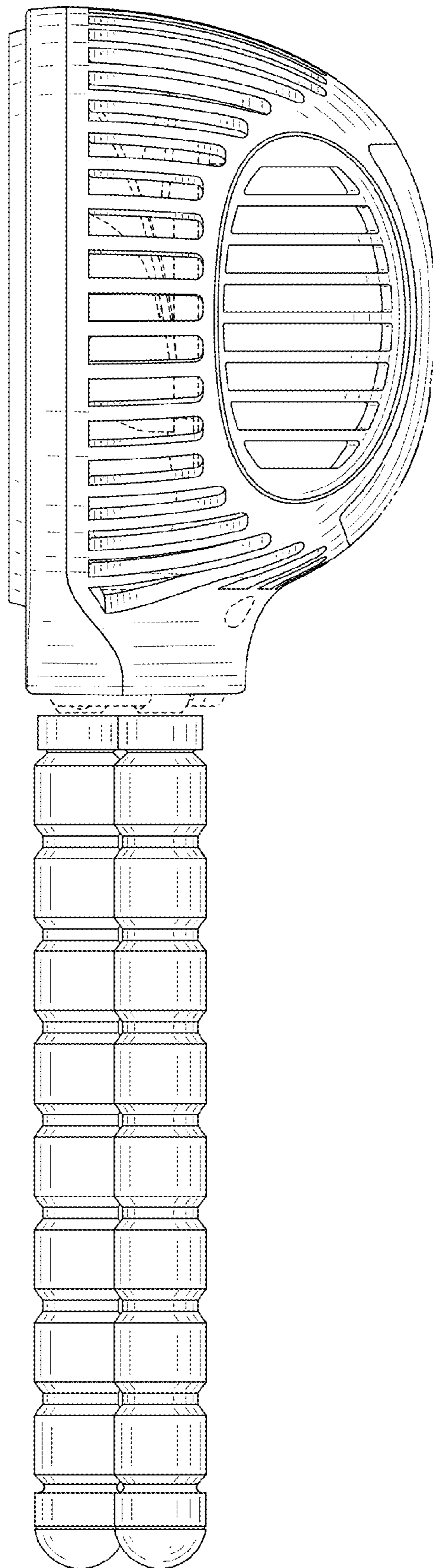


FIG. 6

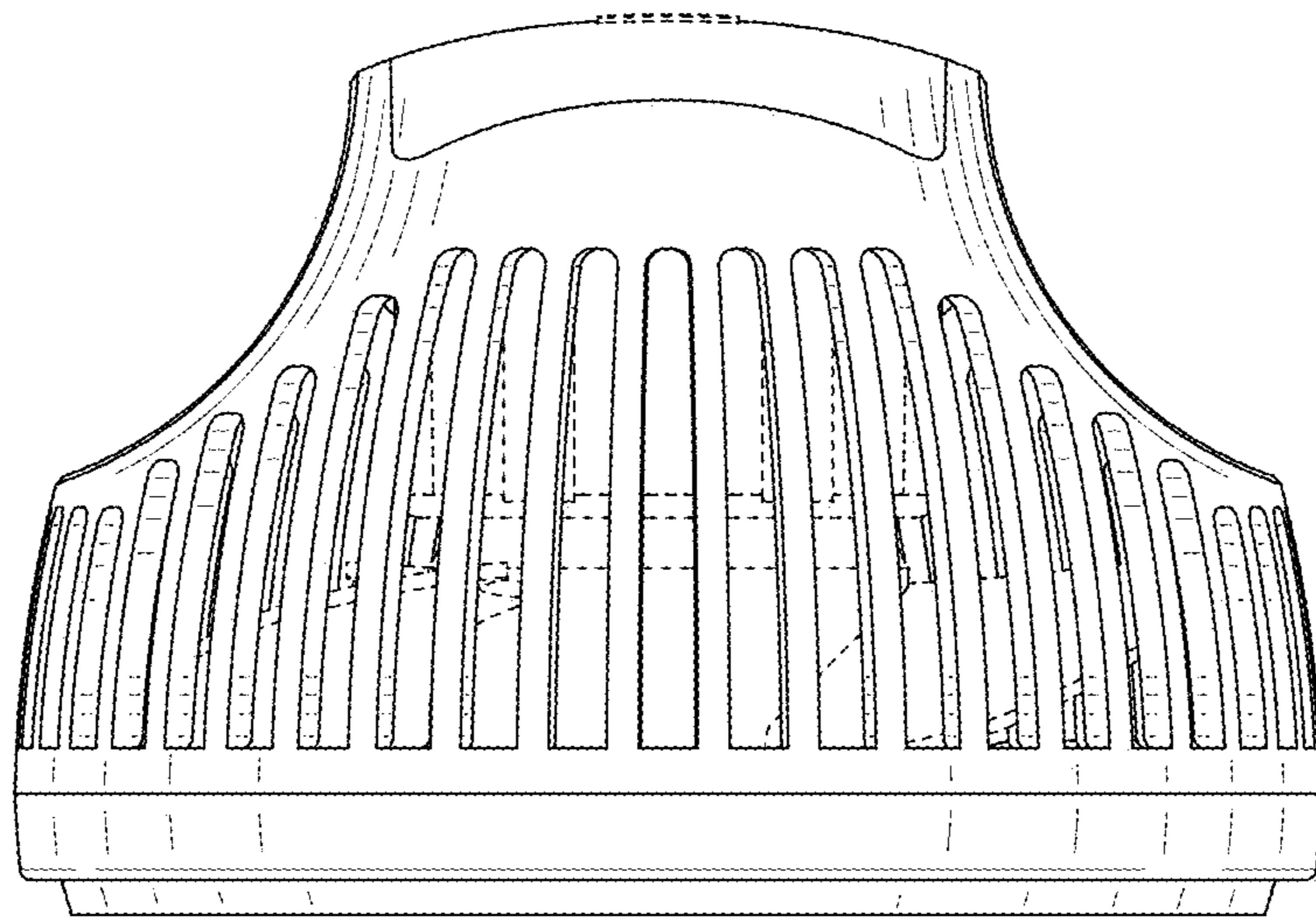


FIG. 7



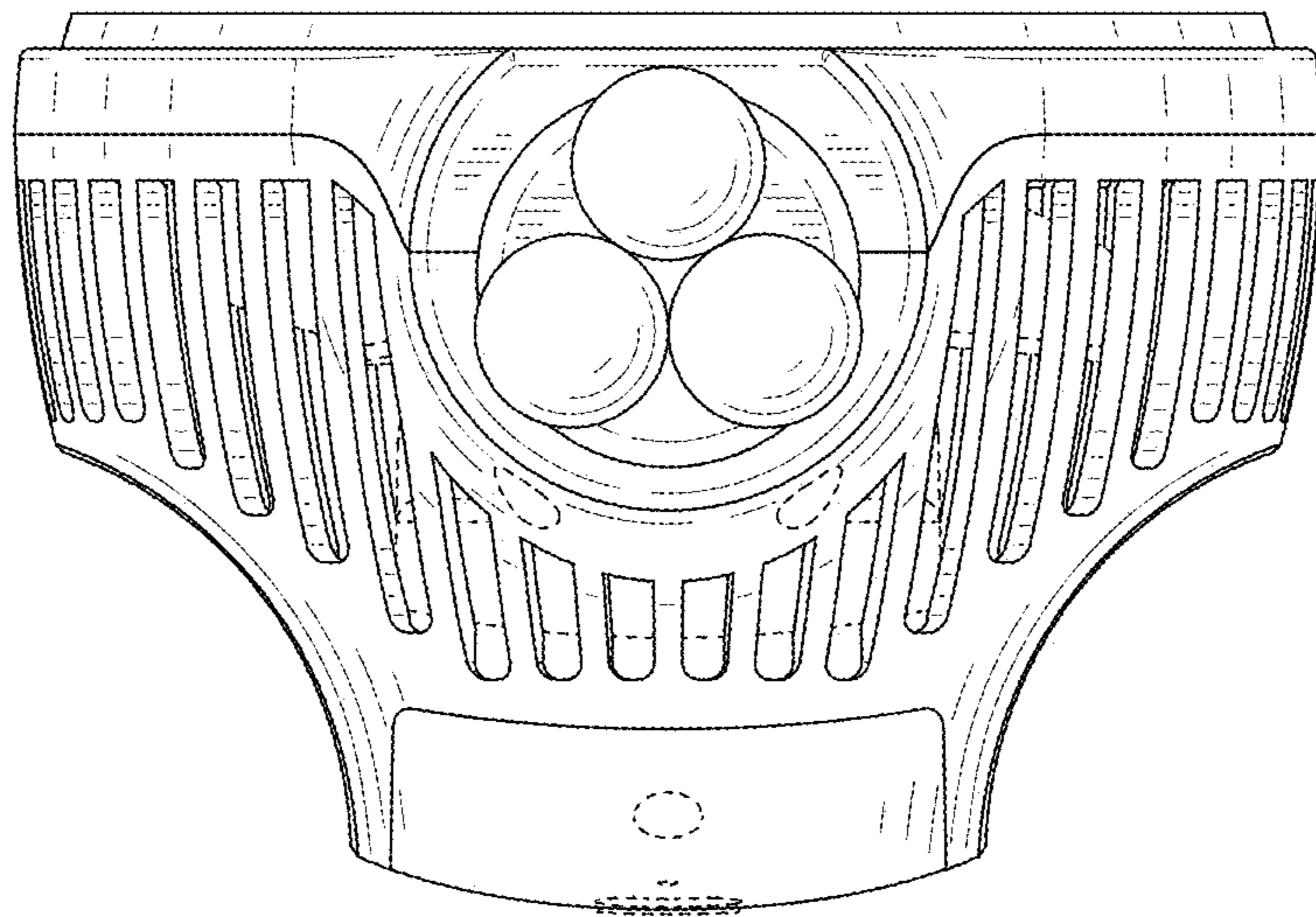


FIG. 8

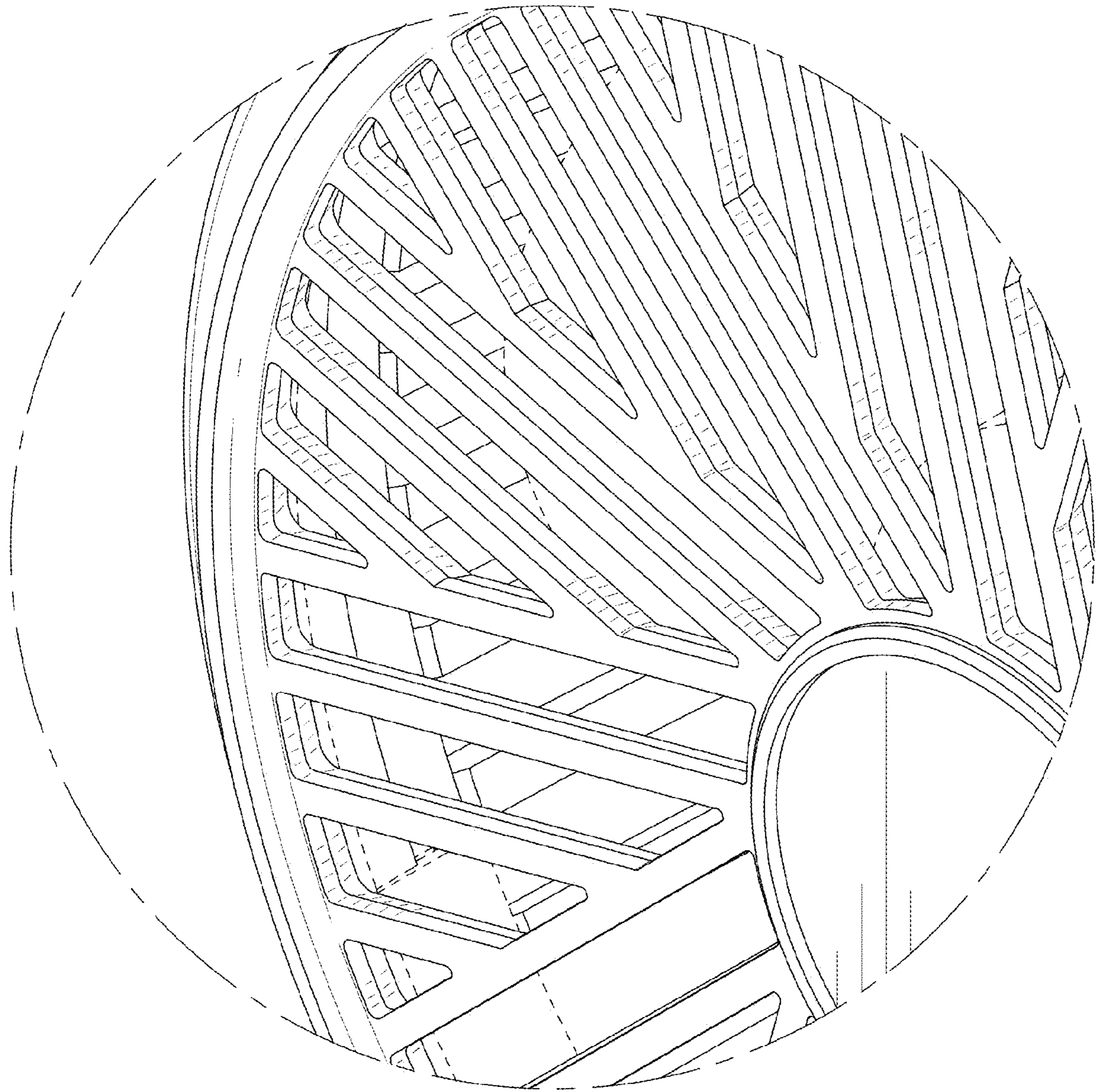


FIG. 9