



US00D963149S

(12) **United States Design Patent**
He et al.

(10) **Patent No.: US D963,149 S**

(45) **Date of Patent: ** Sep. 6, 2022**

(54) **TURBO FAN**

OTHER PUBLICATIONS

(71) Applicant: **JIANGMEN KEYE ELECTRIC APPLIANCES MANUFACTURING CO., LTD**, Jiangmen (CN)

HVFF16T Red—MaxxAir 16" Red Turbo Floor Fan Assembly, date posted Apr. 17, 2017, site visited Dec. 27, 2021, <<https://www.youtube.com/watch?v=fZJWVyhmrWw>>.*

(72) Inventors: **Xiangming He**, Jiangmen (CN);
Guanglian Lin, Jiangmen (CN)

Primary Examiner — Sharon S Oum

(74) *Attorney, Agent, or Firm* — Innovation Capital Law Group, LLP; Vic Lin

(73) Assignee: **JIANGMEN KEYE ELECTRIC APPLIANCES MANUFACTURING CO., LTD**, Jiangmen (CN)

(57) **CLAIM**

The ornamental design for a turbo fan, as shown and described.

(**) Term: **15 Years**

DESCRIPTION

(21) Appl. No.: **29/715,095**

FIG. 1 is a front elevation view of a first embodiment of a turbo fan;

(22) Filed: **Nov. 27, 2019**

FIG. 2 is a rear elevation view thereof

(51) **LOC (13) Cl.** **23-04**

FIG. 3 is a right elevation view thereof;

(52) **U.S. Cl.**

FIG. 4 is a left elevation view thereof;

USPC **D23/382**

FIG. 5 is a top plan view thereof;

(58) **Field of Classification Search**

USPC D23/332, 333, 335, 336, 337, 351–352,
D23/370, 371, 378–383, 411–414

FIG. 6 is a bottom plan view thereof;

CPC F04D 25/0673; F04D 25/08; F04D 25/084;
F04D 29/4226

FIG. 7 is a front perspective view thereof;

See application file for complete search history.

FIG. 8 is a rear perspective view thereof;

FIG. 9 is a front elevation view of a second embodiment of a turbo fan;

(56) **References Cited**

U.S. PATENT DOCUMENTS

D179,647 S *	2/1957	Koch	D23/385
D327,947 S *	7/1992	Clark	D23/382
D441,856 S *	5/2001	Wettergren	D23/328
D444,552 S *	7/2001	Wang	D23/382
D451,595 S *	12/2001	Chen	D23/382
D480,466 S *	10/2003	Bucher	D23/382
D482,438 S *	11/2003	Barker	D23/382
D483,468 S *	12/2003	Wong	D23/382
D489,808 S *	5/2004	Redetzke	D23/411
D531,718 S *	11/2006	Bucher	D23/382
D571,448 S *	6/2008	Bucher	D23/382

FIG. 10 is a rear elevation view thereof;

FIG. 11 is a right elevation view thereof;

FIG. 12 is a left elevation view thereof;

FIG. 13 is a top plan view thereof;

FIG. 14 is a bottom plan view thereof;

FIG. 15 is a front perspective view thereof;

FIG. 16 is a rear perspective view thereof;

FIG. 17 is a front elevation view of a third embodiment of a turbo fan;

FIG. 18 is a rear elevation view thereof;

FIG. 19 is a right elevation view thereof;

FIG. 20 is a left elevation view thereof;

FIG. 21 is a top plan view thereof;

FIG. 22 is a bottom plan view thereof;

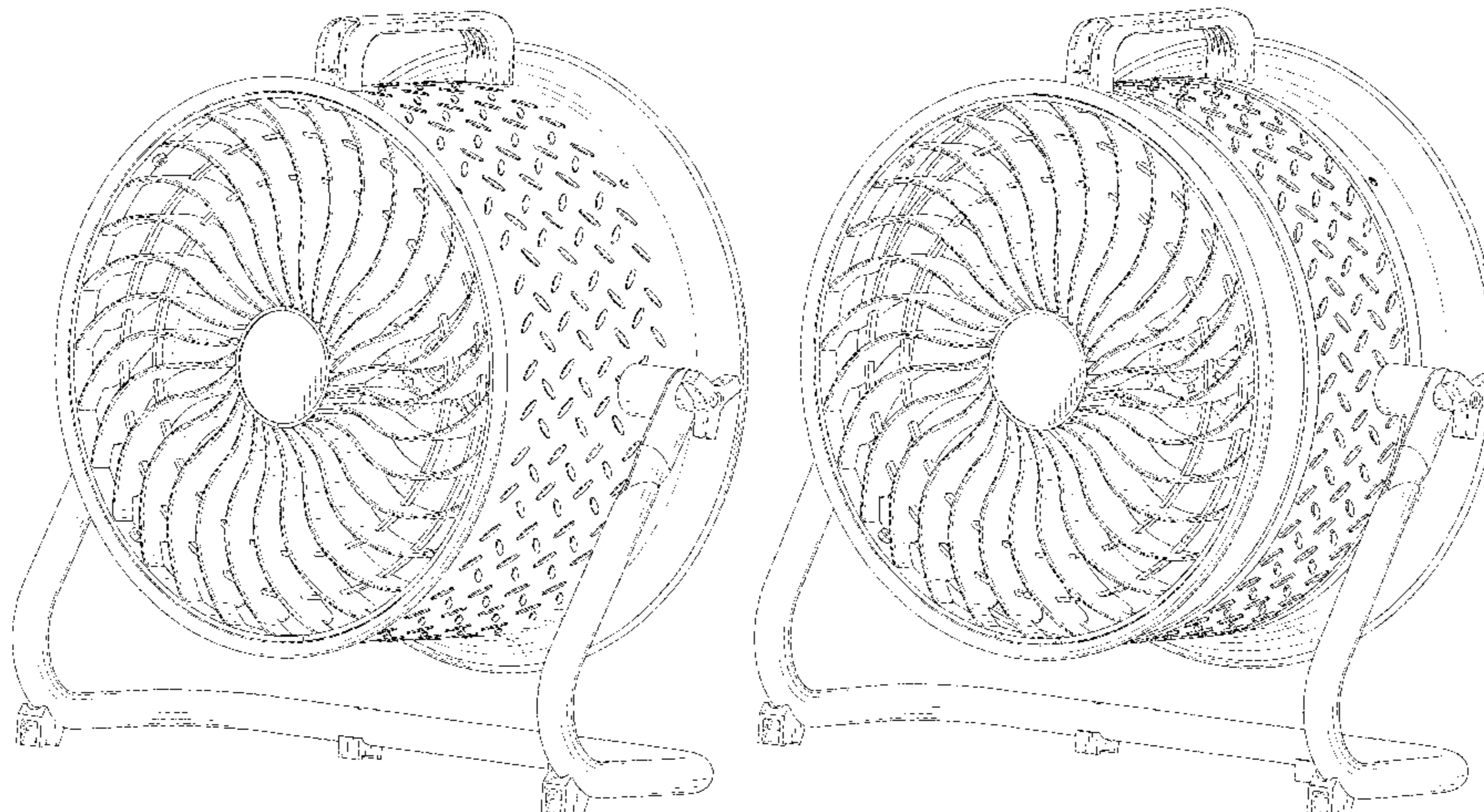
FIG. 23 is a front perspective view thereof; and,

FIG. 24 is a rear perspective view thereof.

The broken lines in the FIGURES show portions of the turbo fan which form no part of the claimed design.

(Continued)

1 Claim, 24 Drawing Sheets



(56)

References Cited

U.S. PATENT DOCUMENTS

D574,942 S *	8/2008	Schluter	D23/370
D575,385 S *	8/2008	Schluter	D23/370
D594,548 S *	6/2009	Salisbury	D23/411
D687,937 S *	8/2013	Nemes	D23/332
D842,448 S *	3/2019	Ma	D23/382
D845,465 S *	4/2019	Cui	D23/382
D938,573 S *	12/2021	He	D23/412
2011/0293415 A1 *	12/2011	He	F04B 35/06
			415/220
2016/0208807 A1 *	7/2016	He	F04D 25/105
2017/0051748 A1 *	2/2017	He	F04D 29/601

* cited by examiner

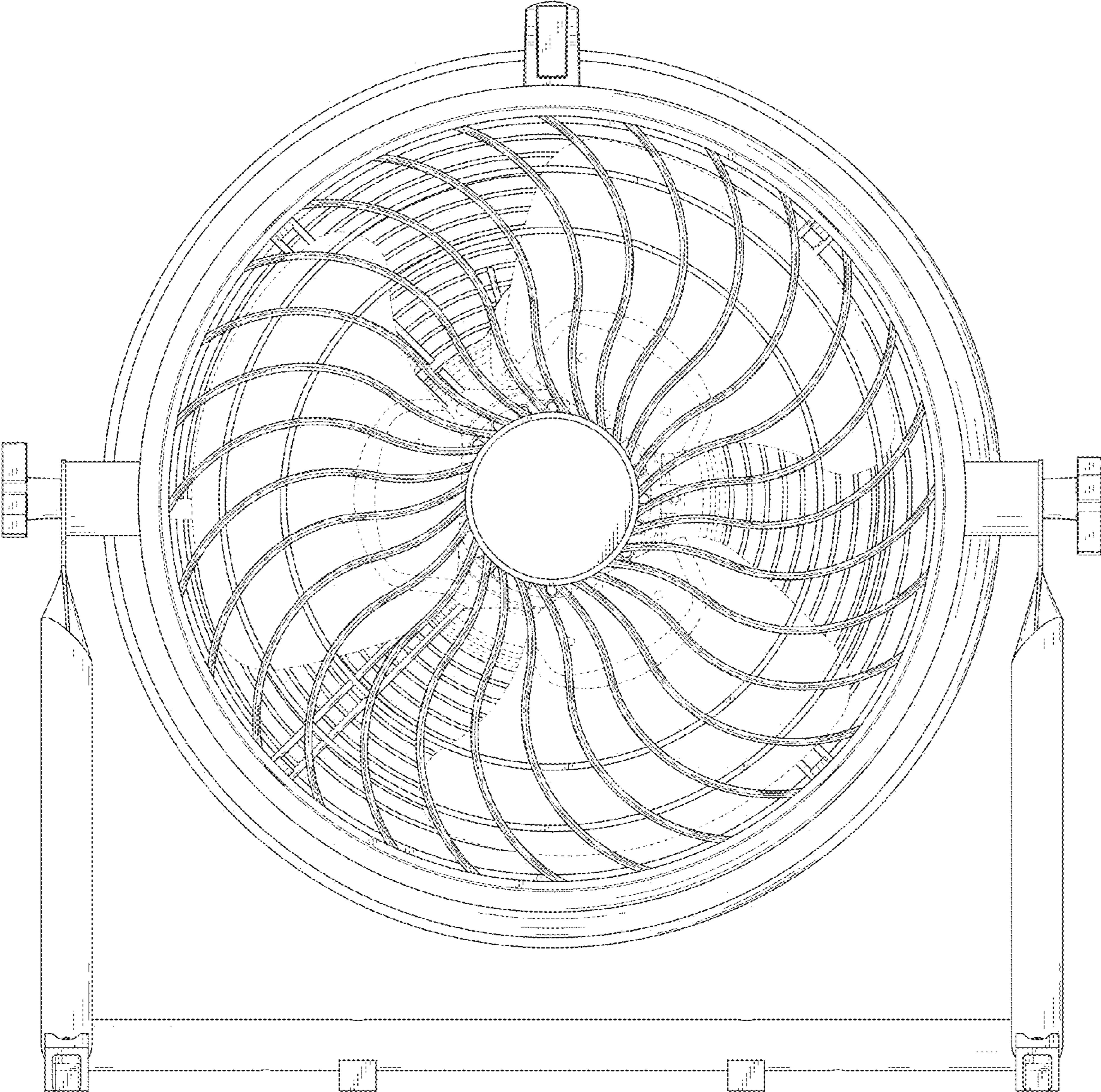


FIG. 1

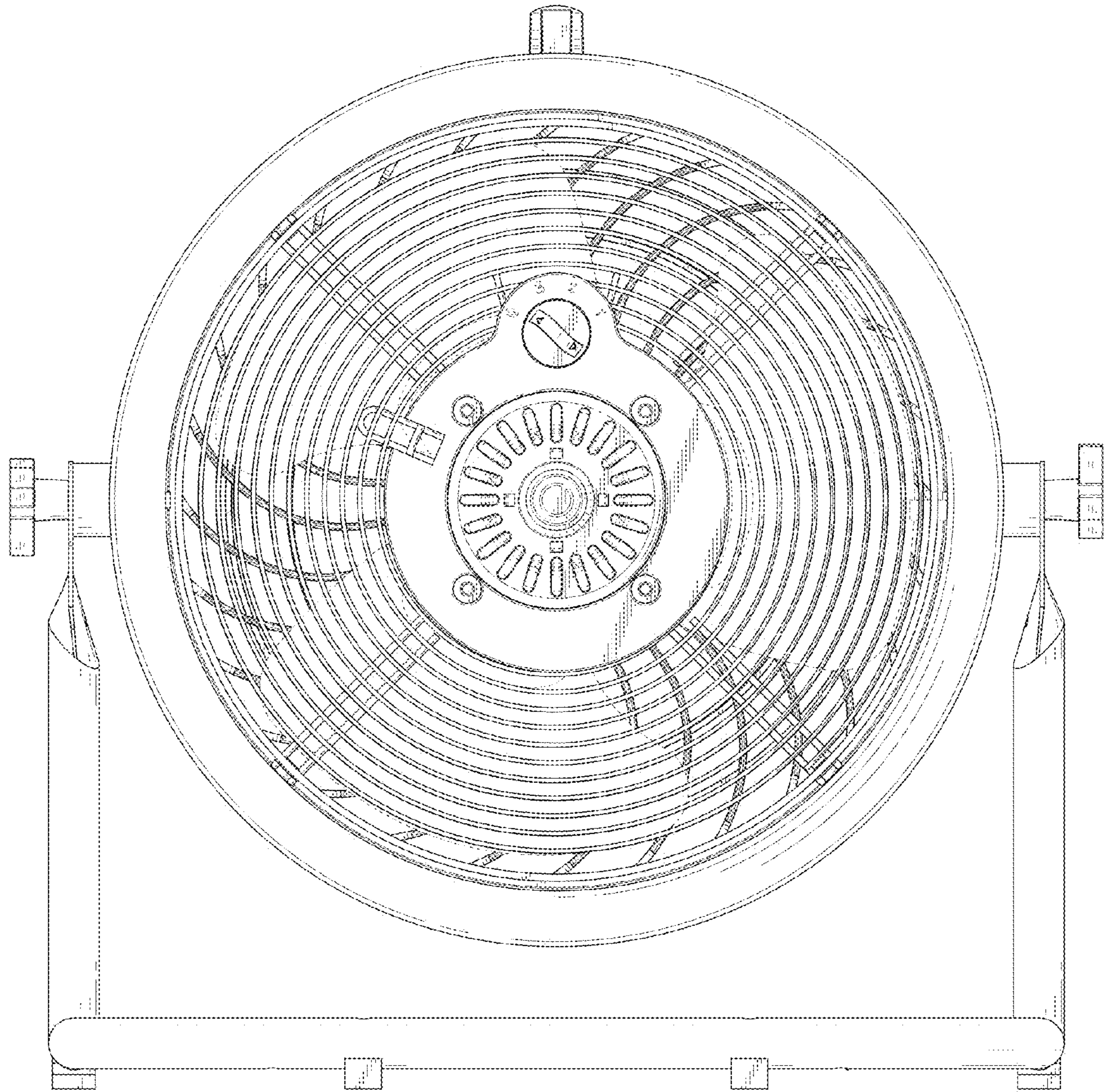


FIG. 2

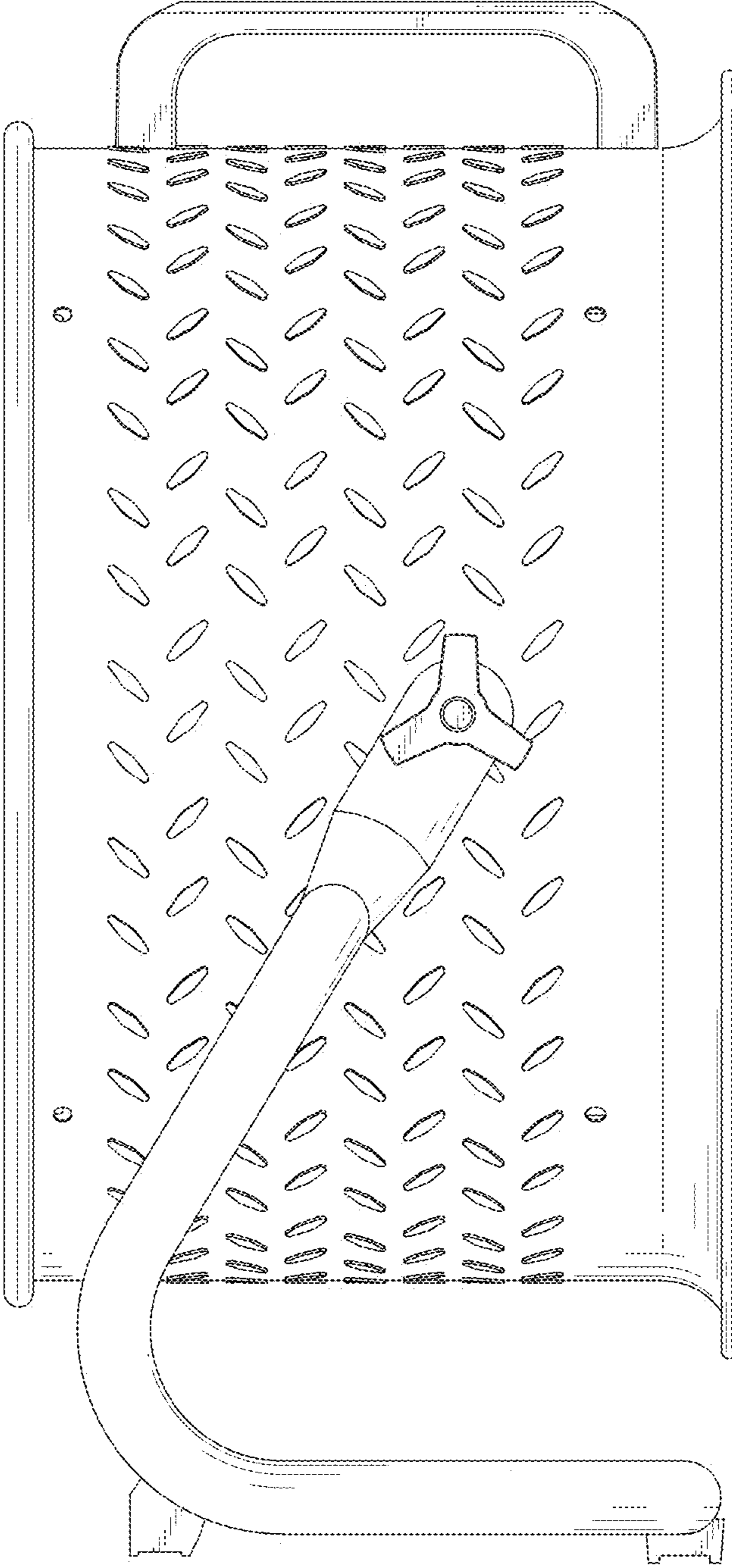


FIG. 3

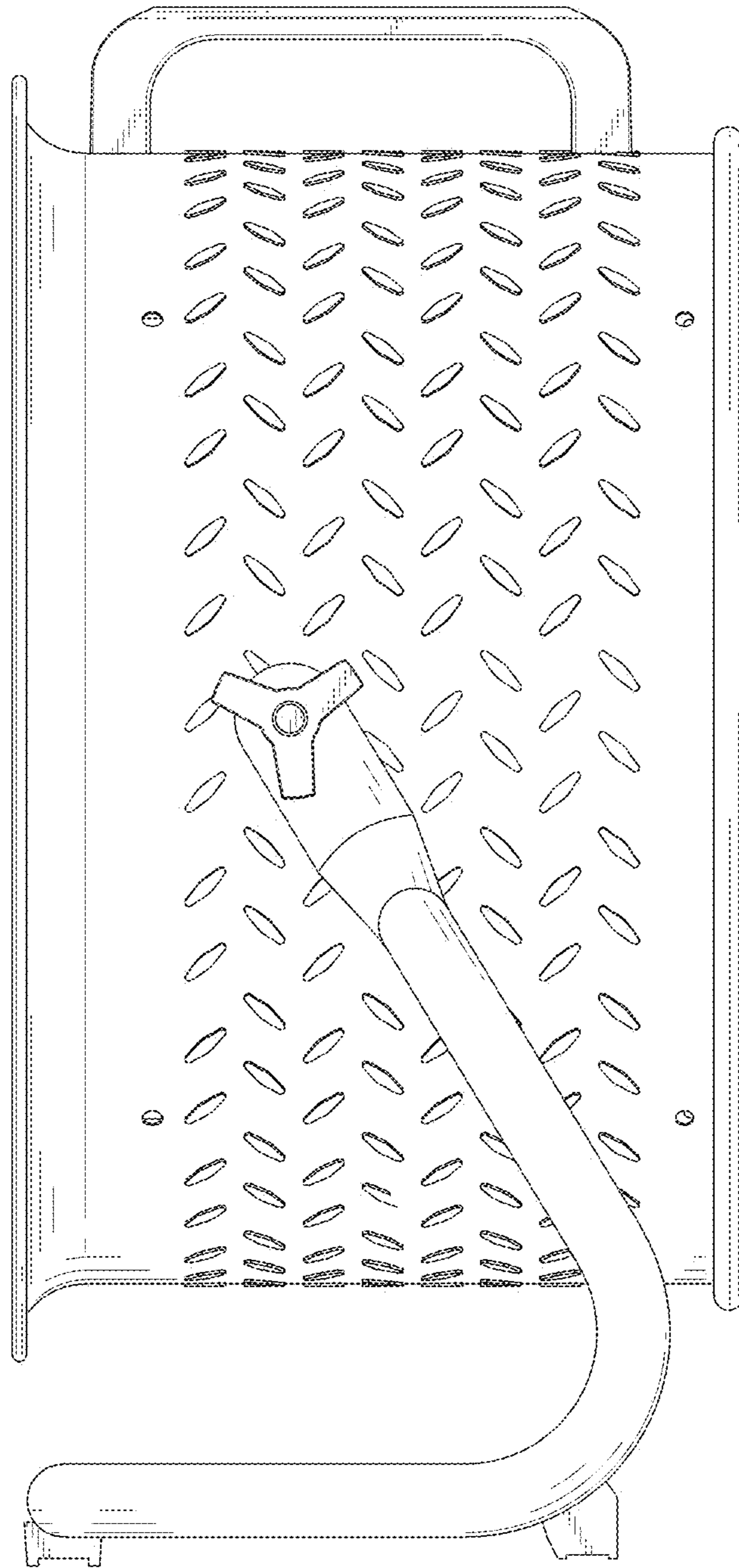


FIG. 4

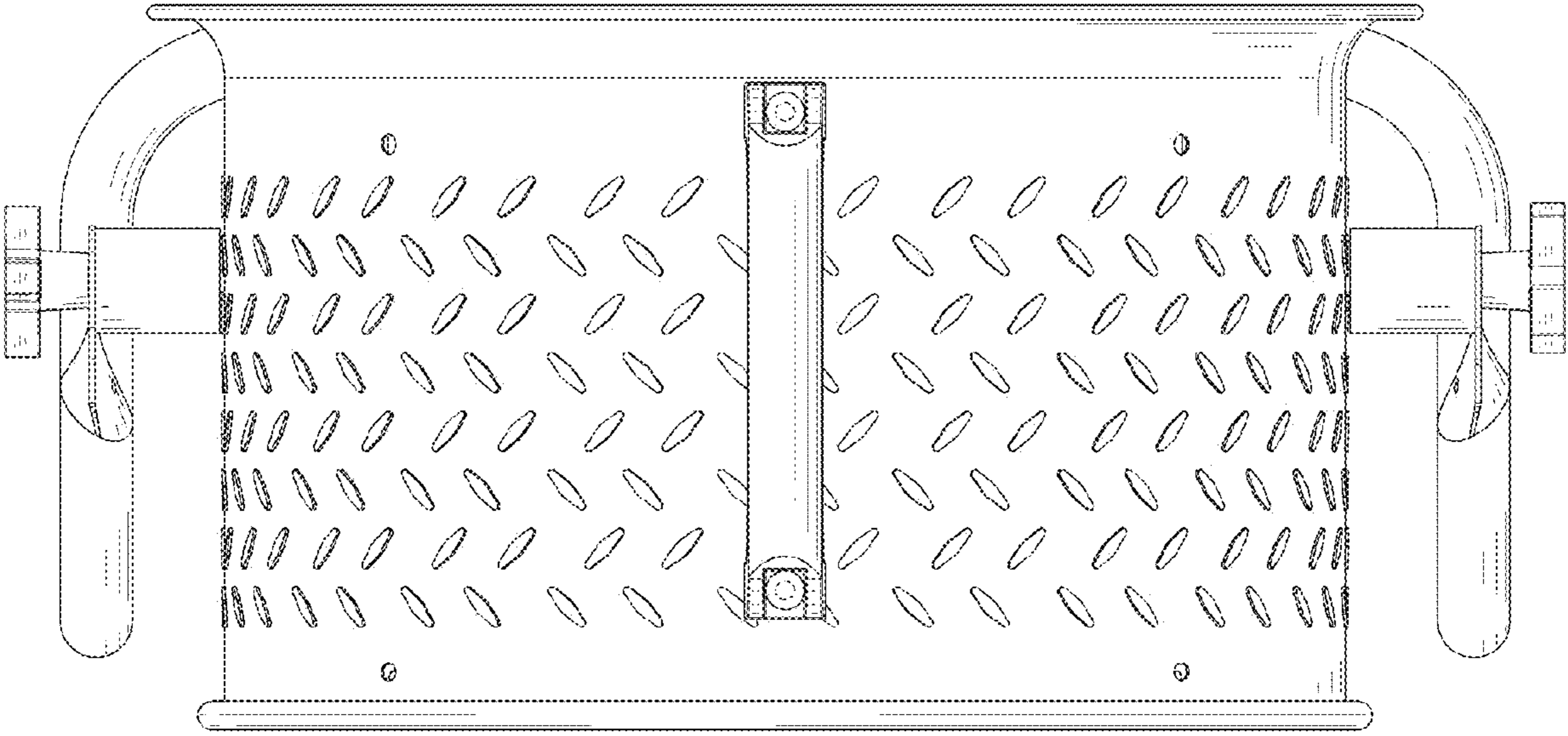


FIG. 5

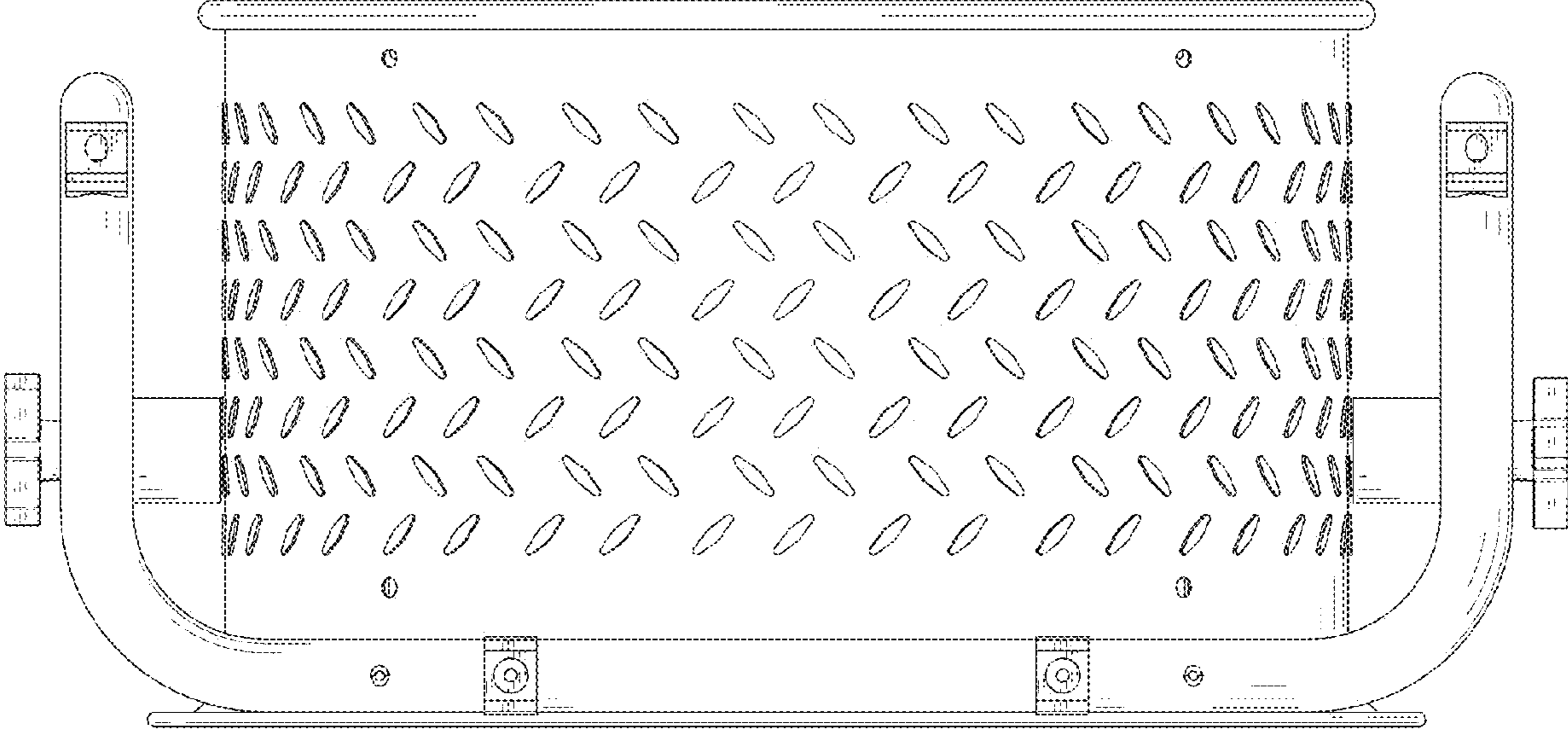


FIG. 6

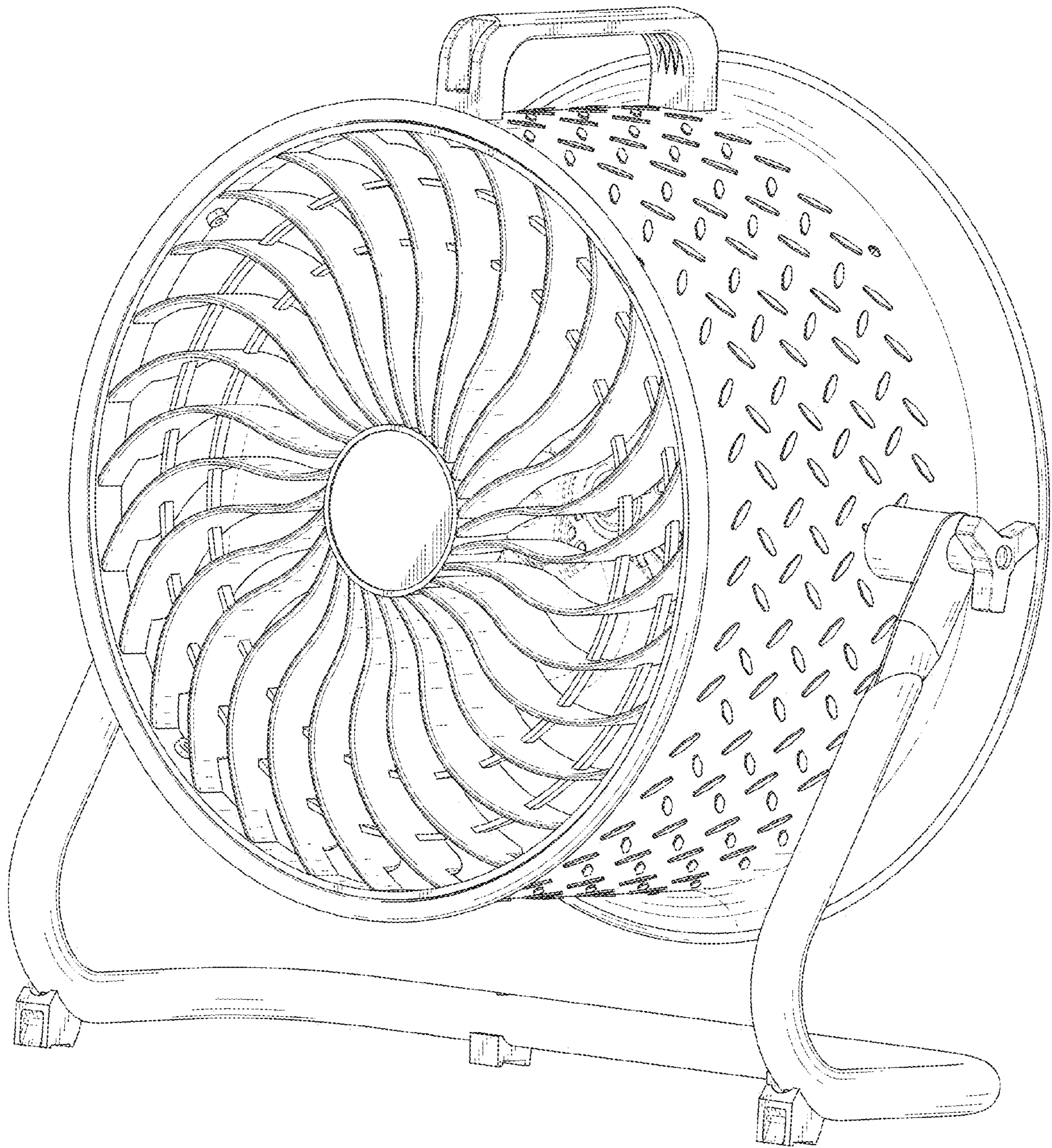


FIG. 7

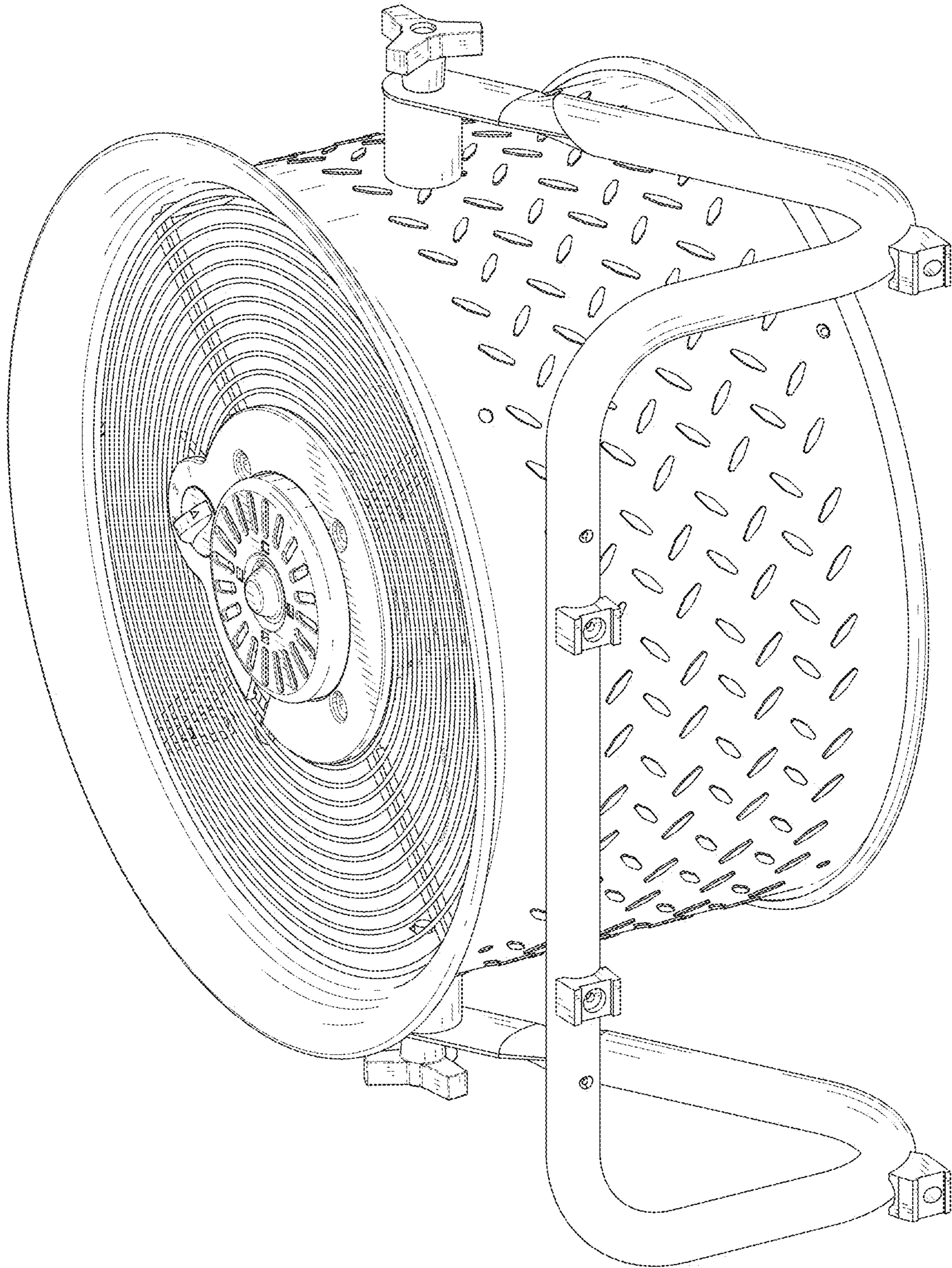


FIG. 8

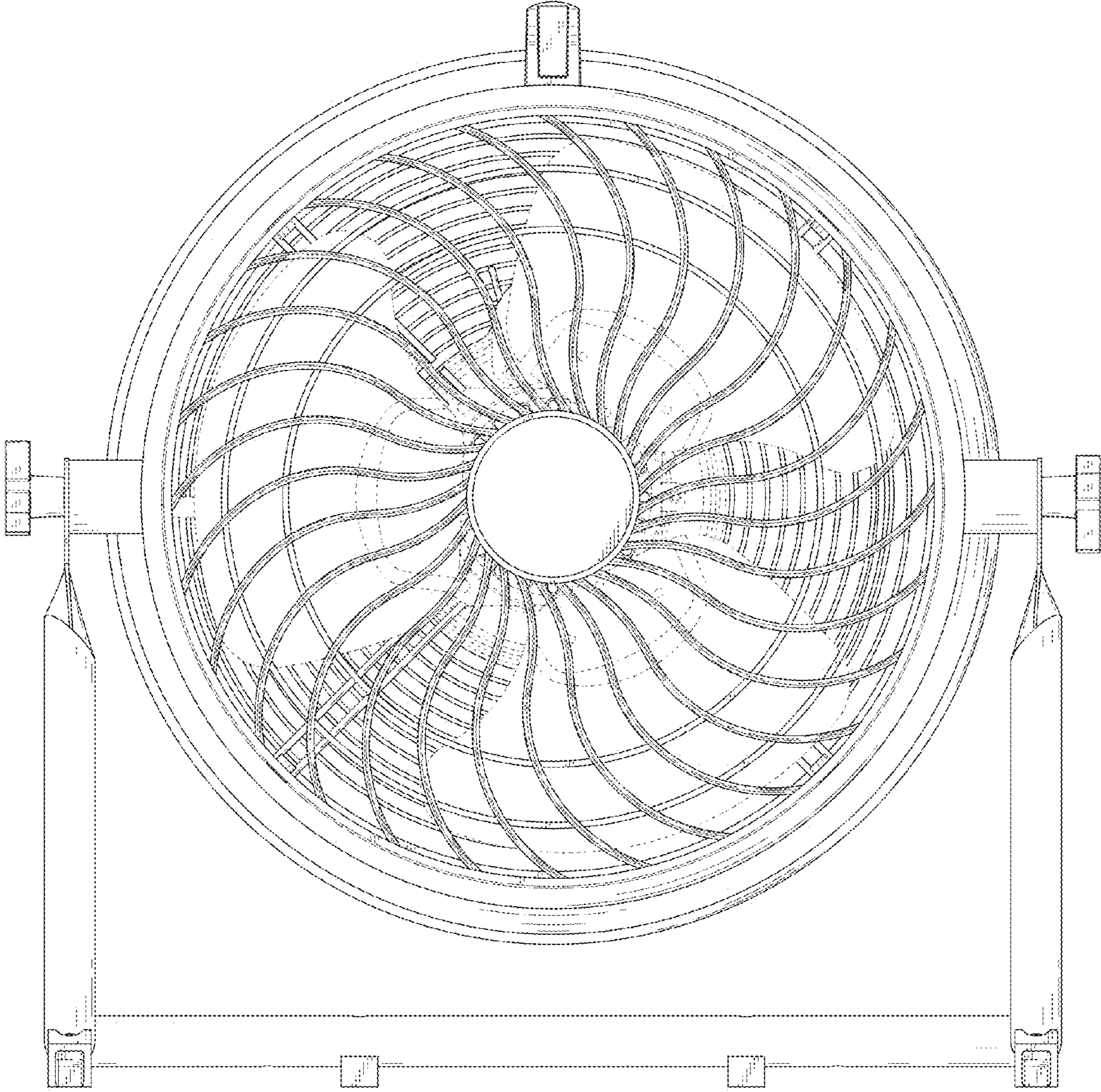


FIG. 9

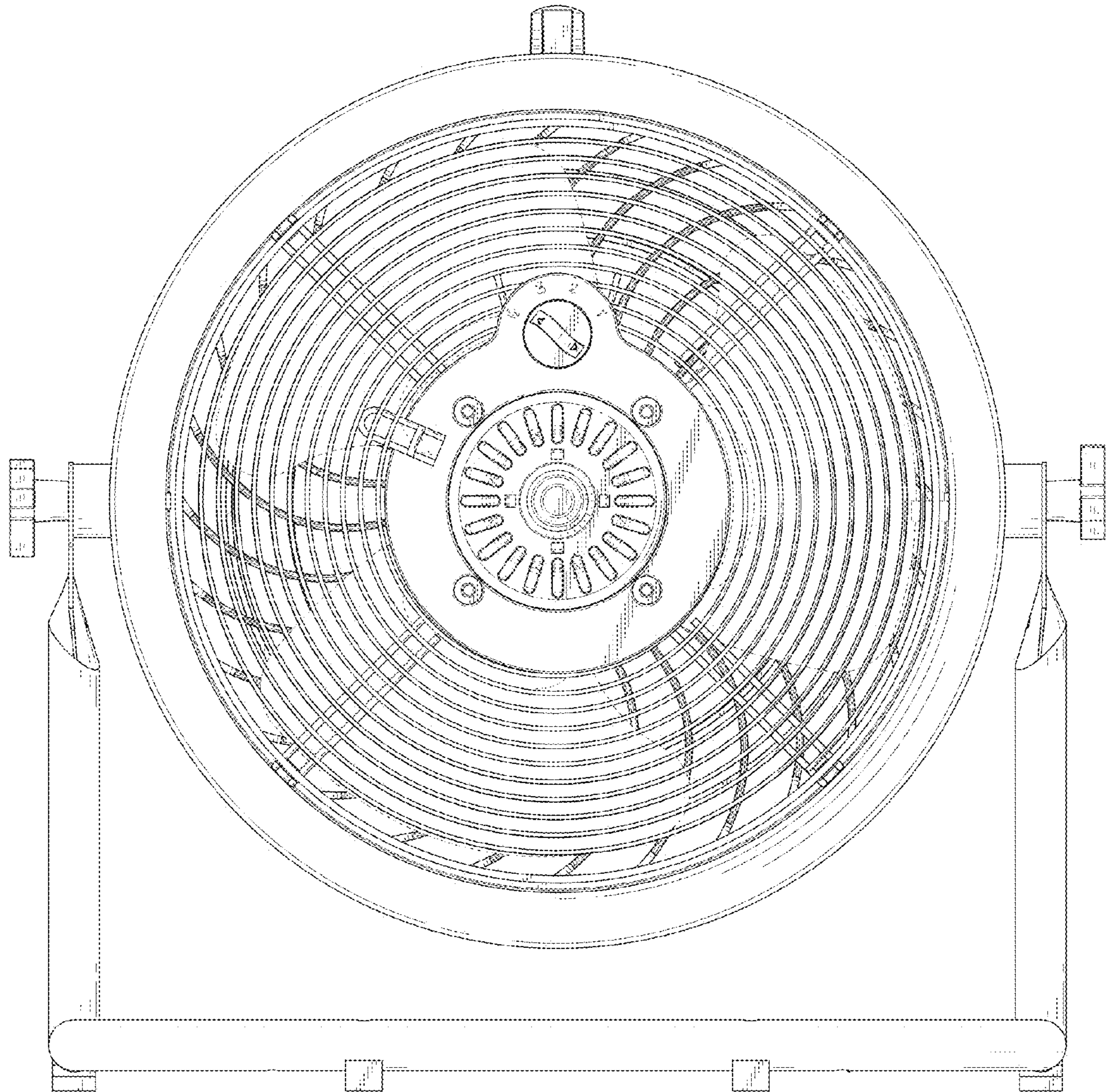


FIG. 10

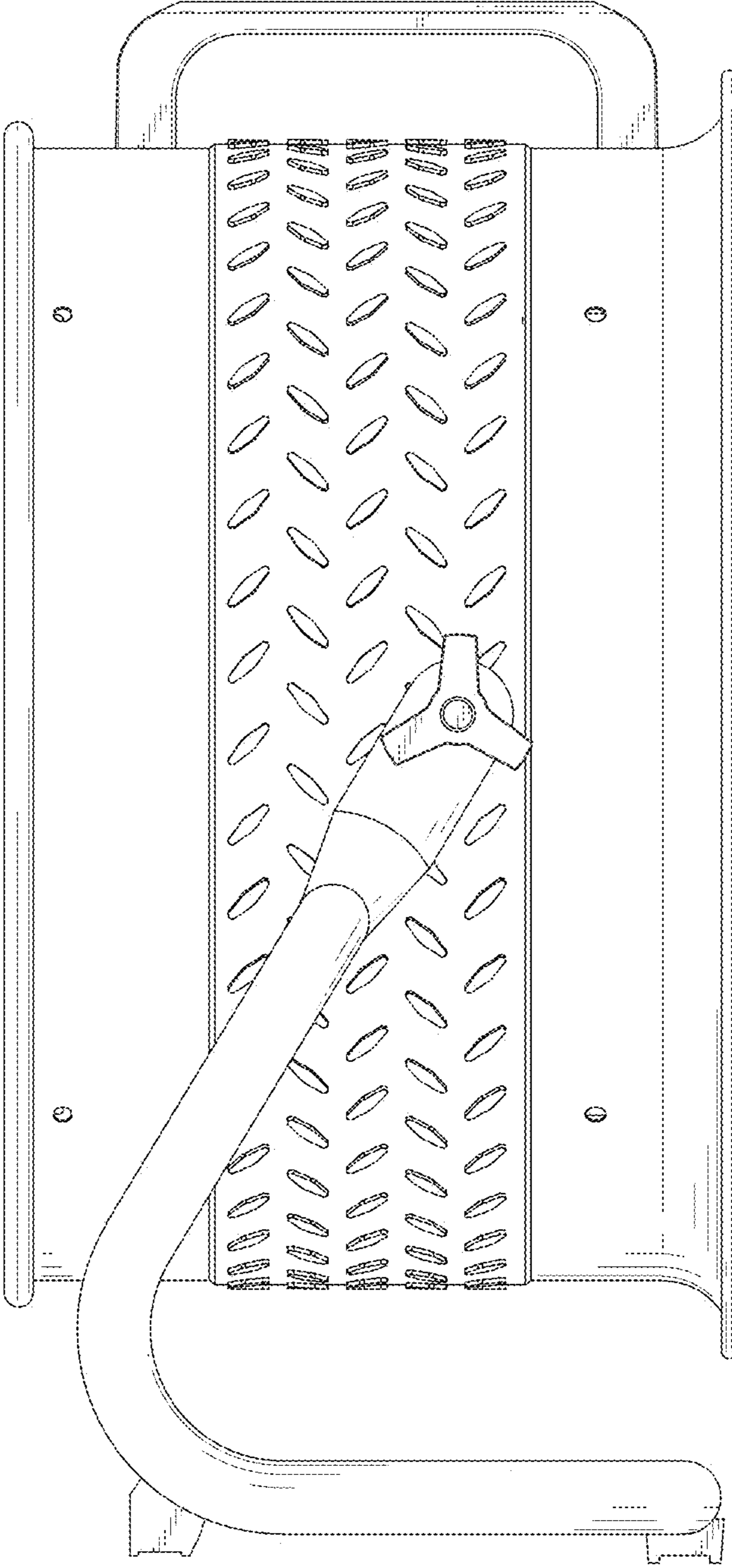


FIG. 11

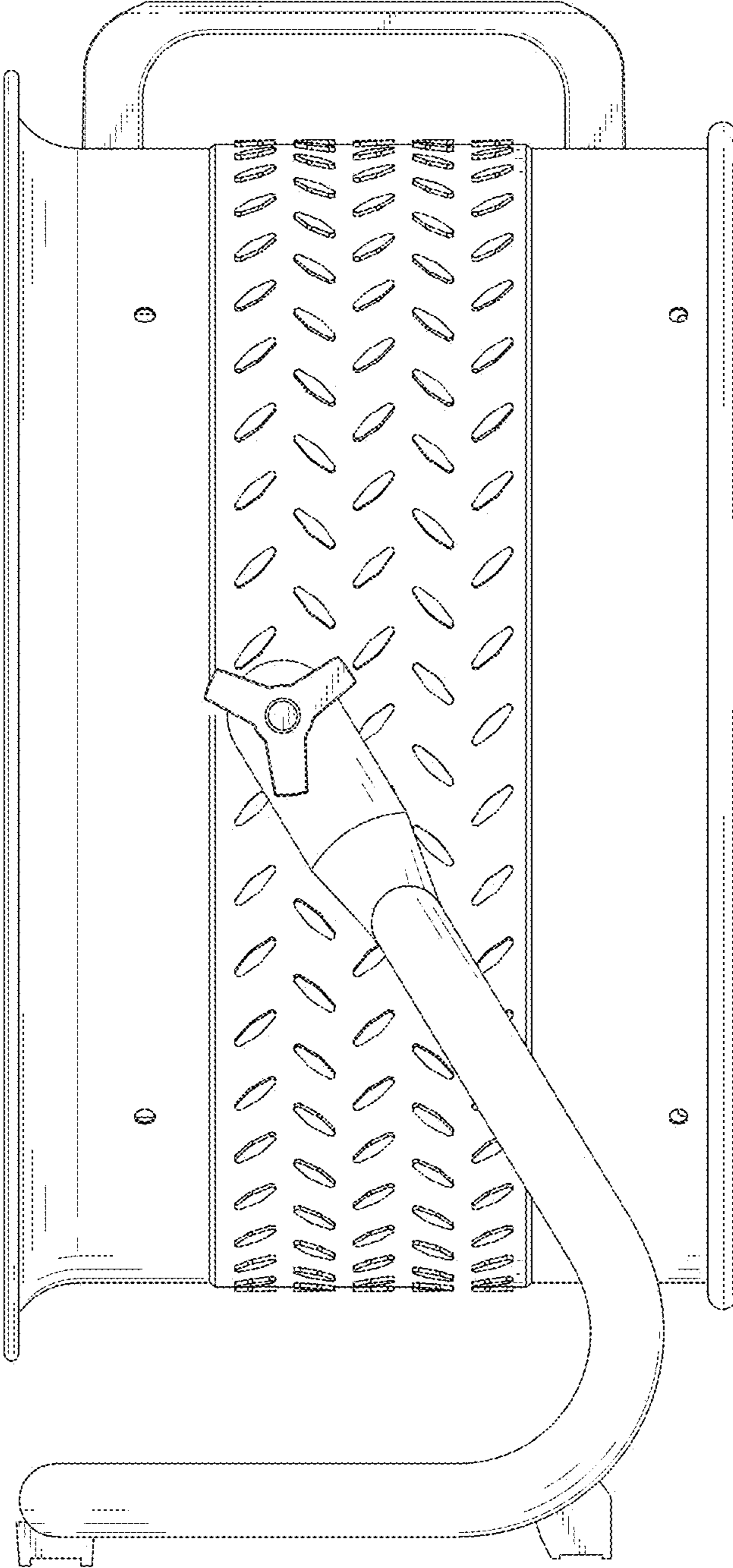


FIG. 12

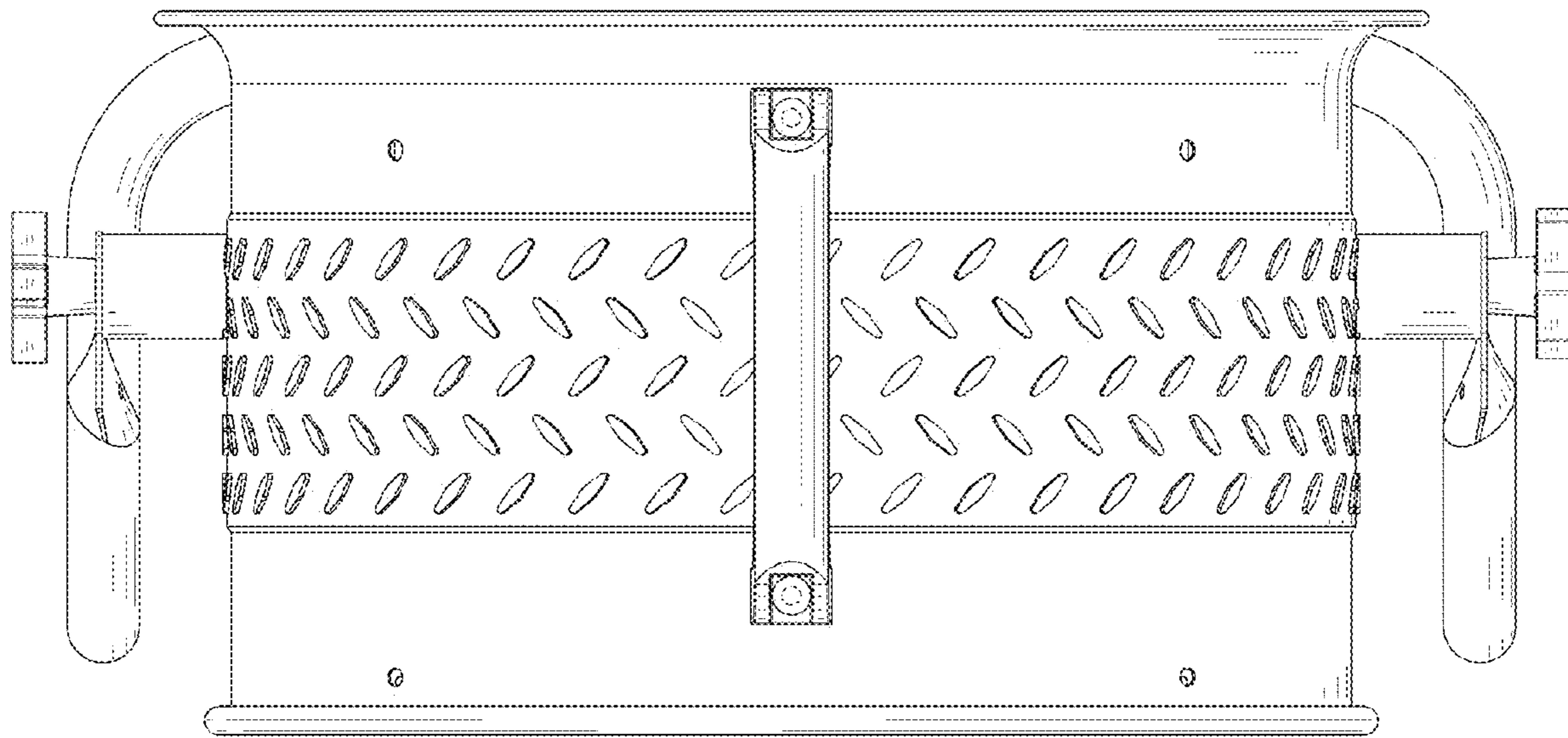


FIG. 13

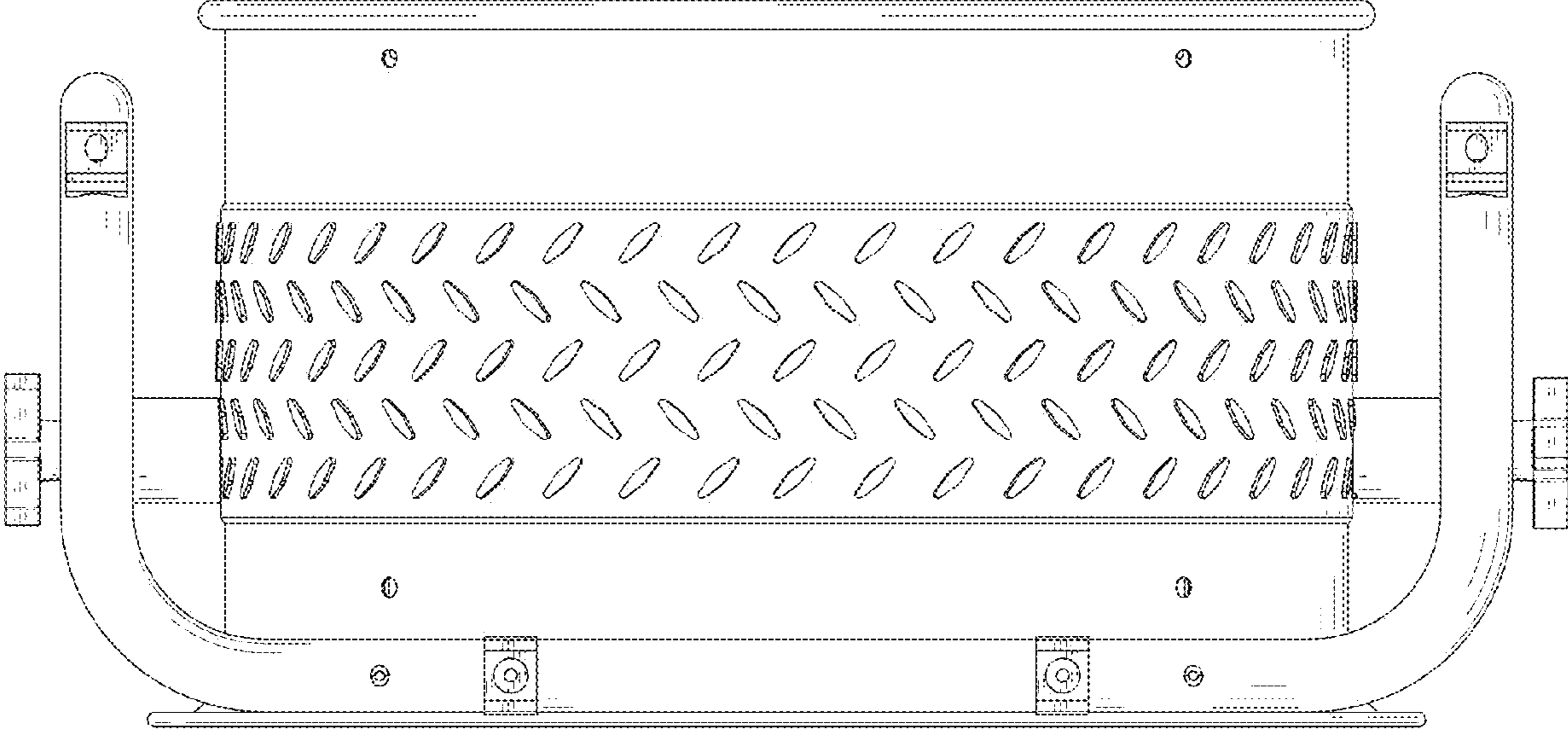


FIG. 14

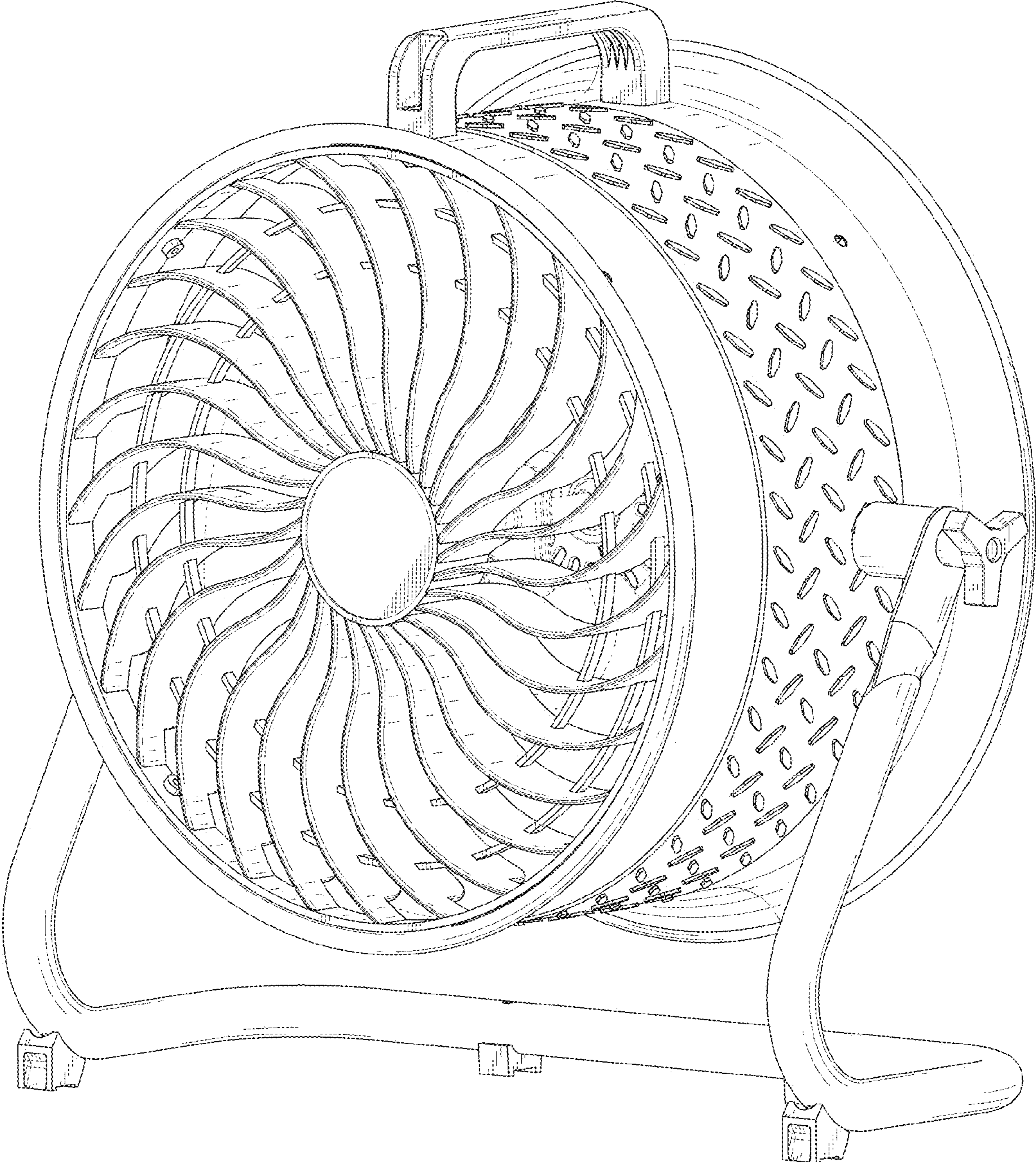


FIG. 15

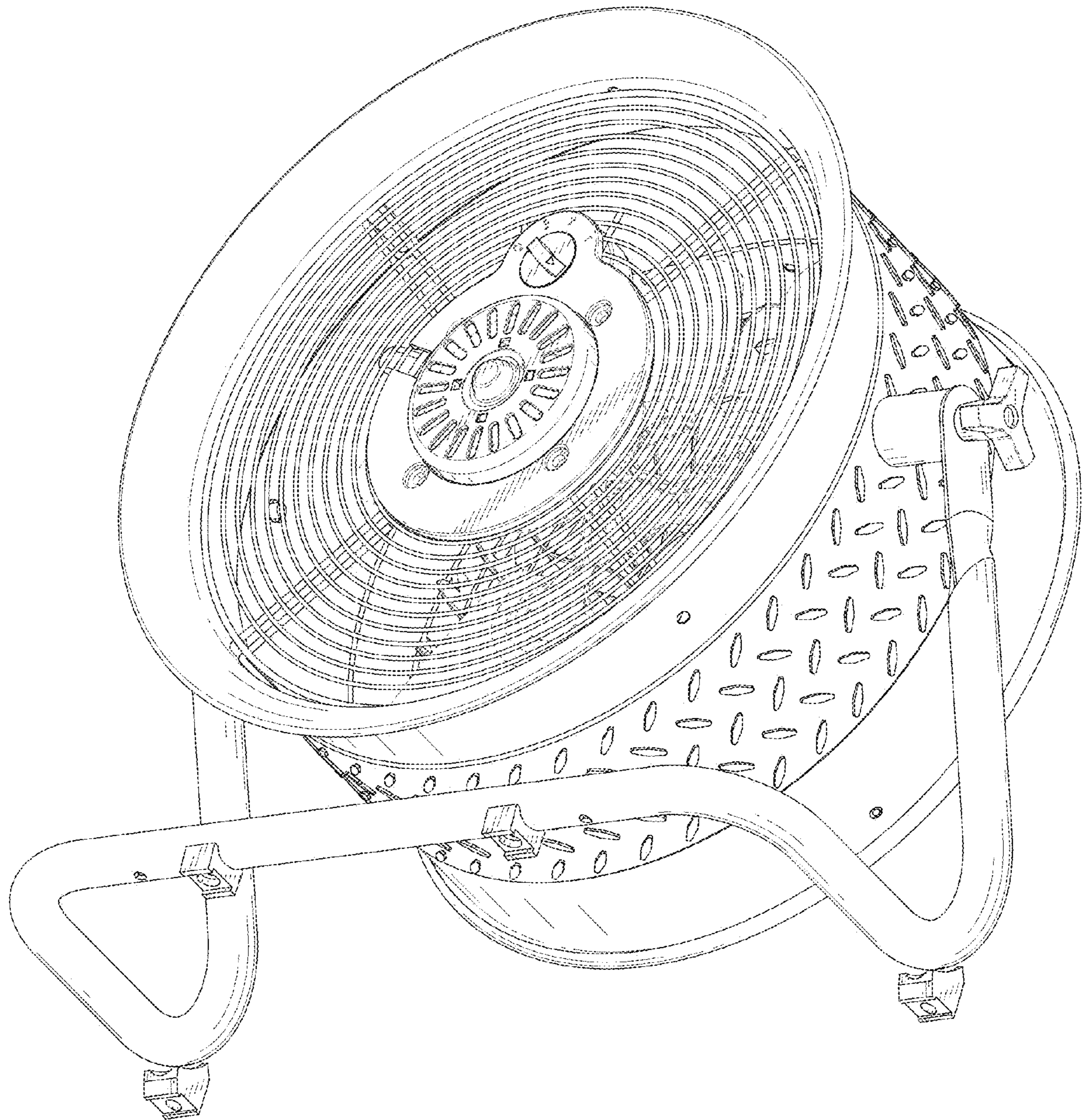


FIG. 16

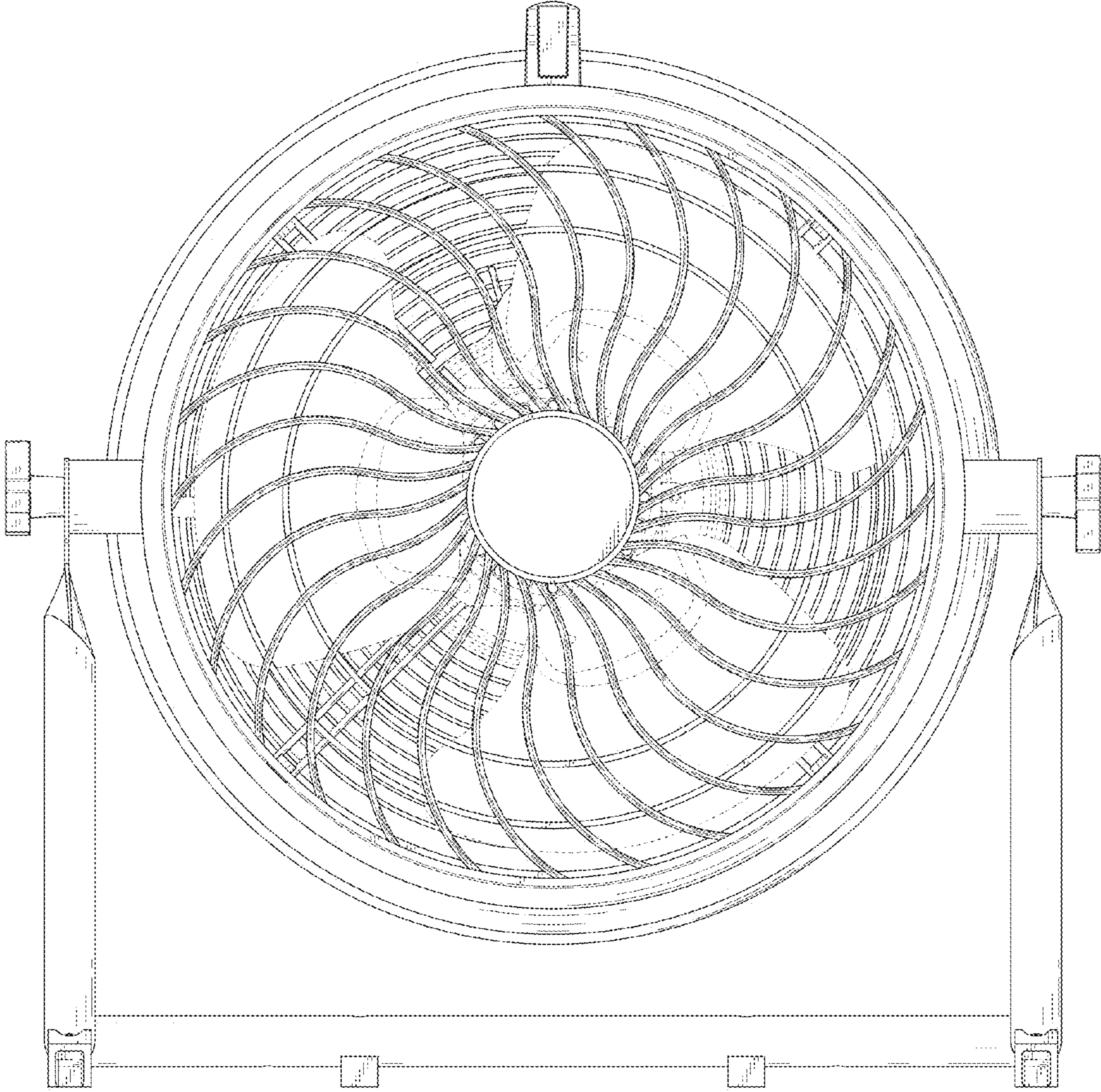


FIG. 17

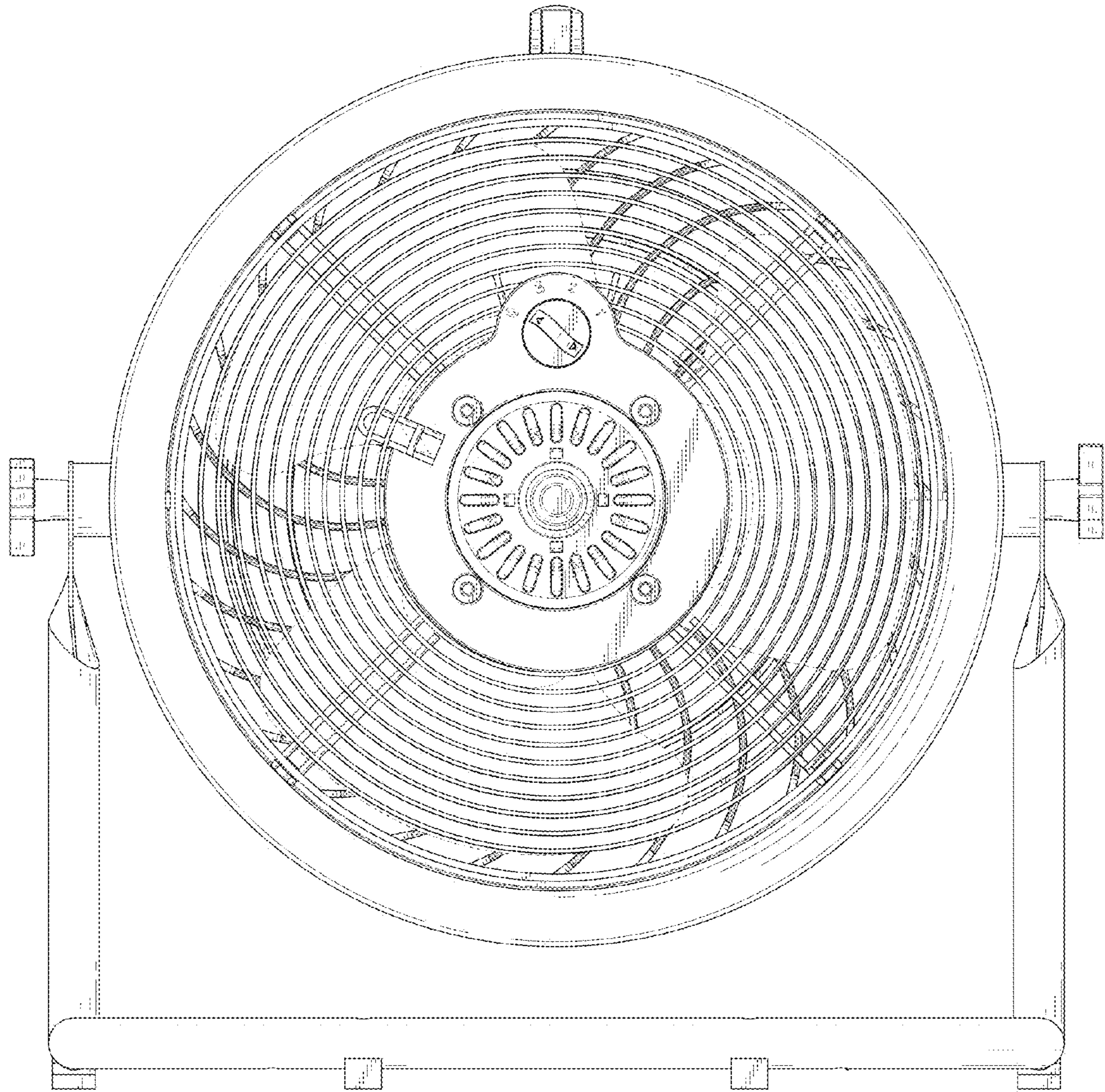


FIG. 18

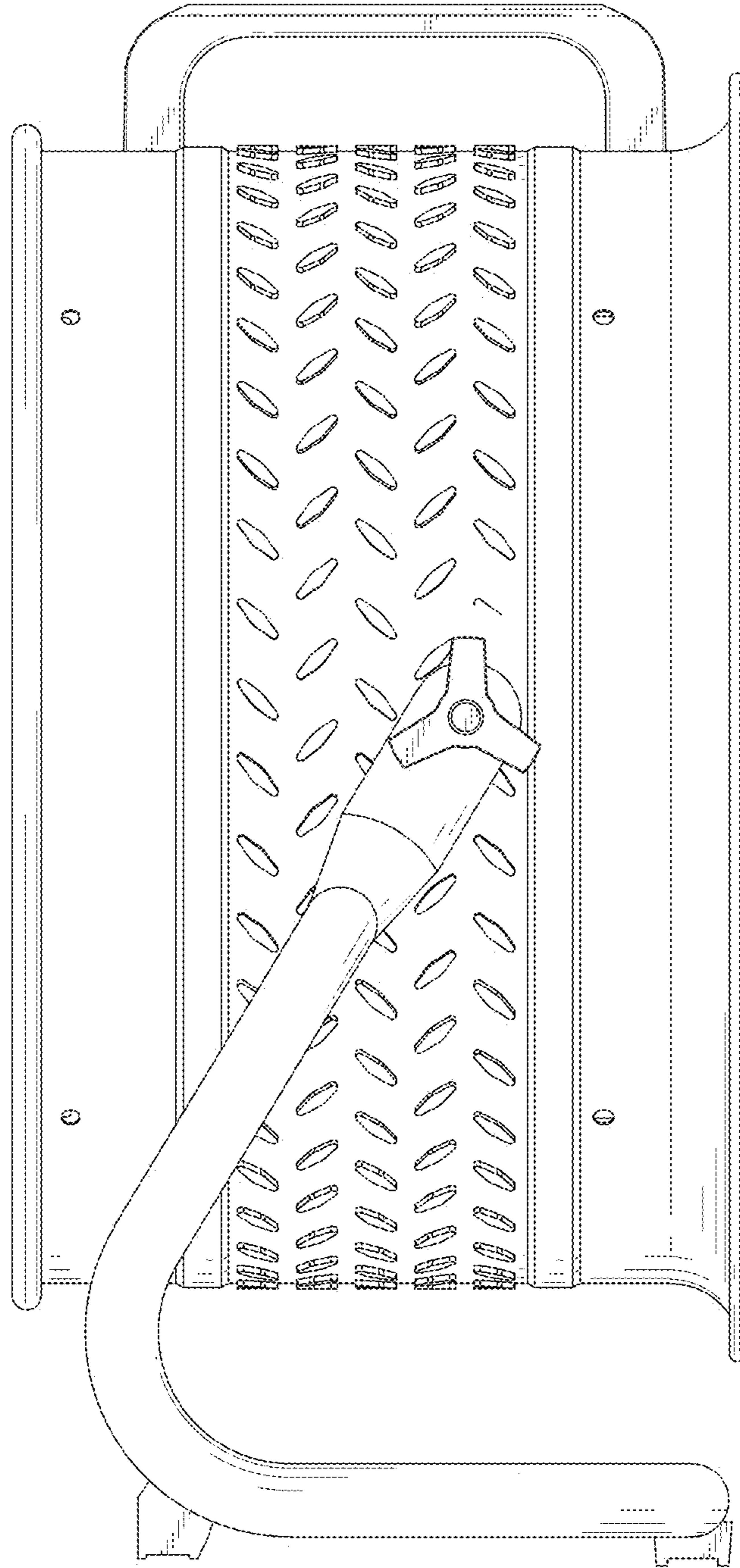


FIG. 19

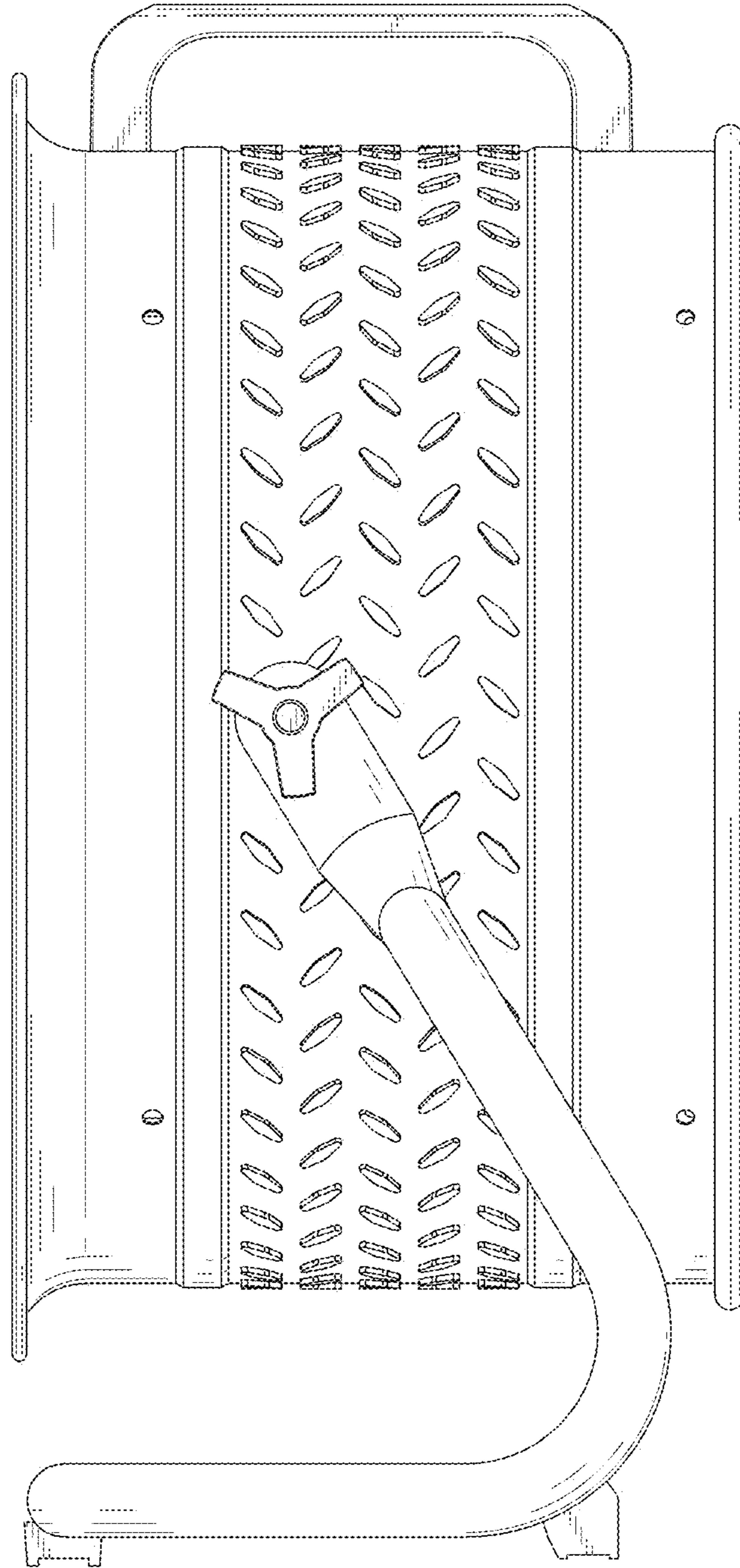


FIG. 20

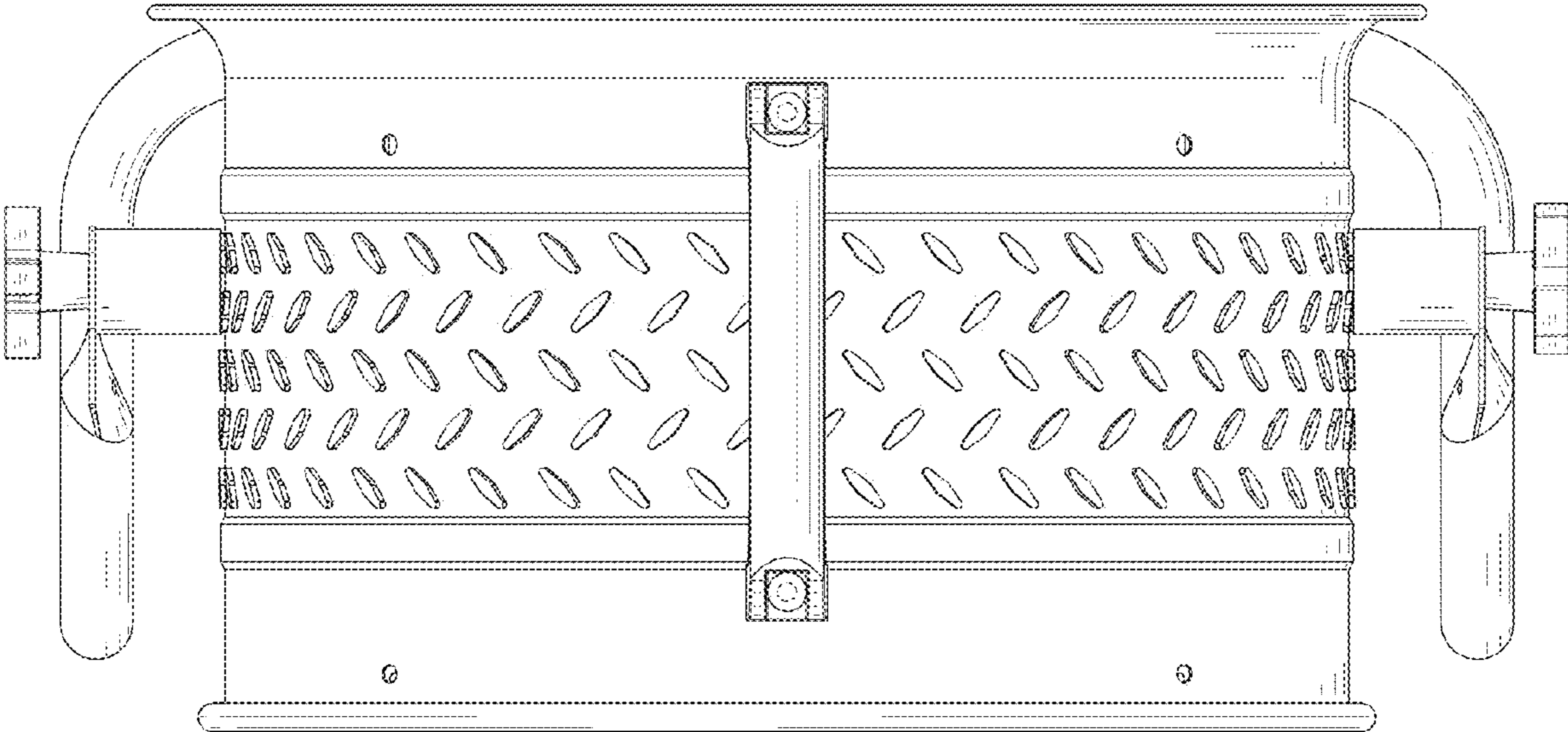


FIG. 21

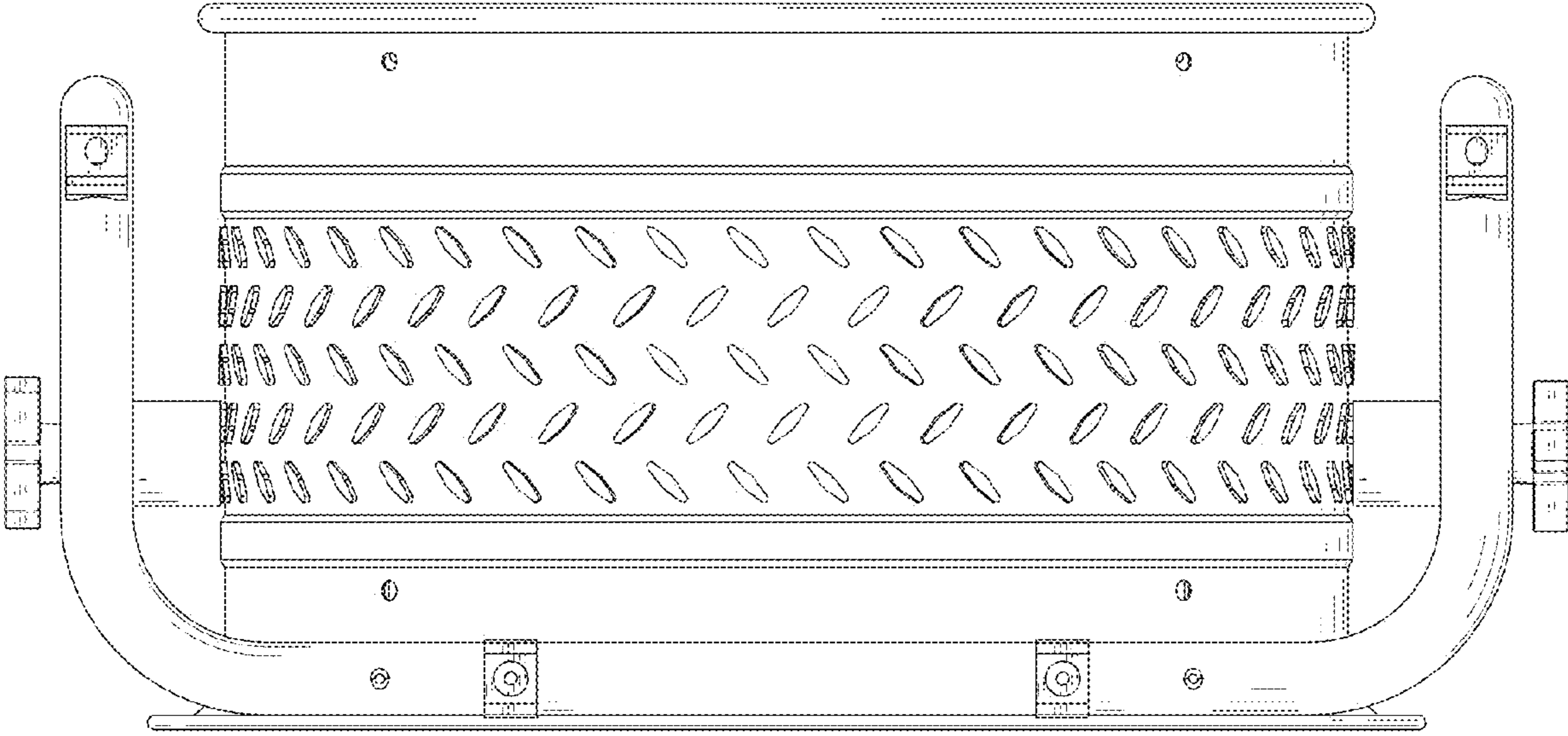


FIG. 22

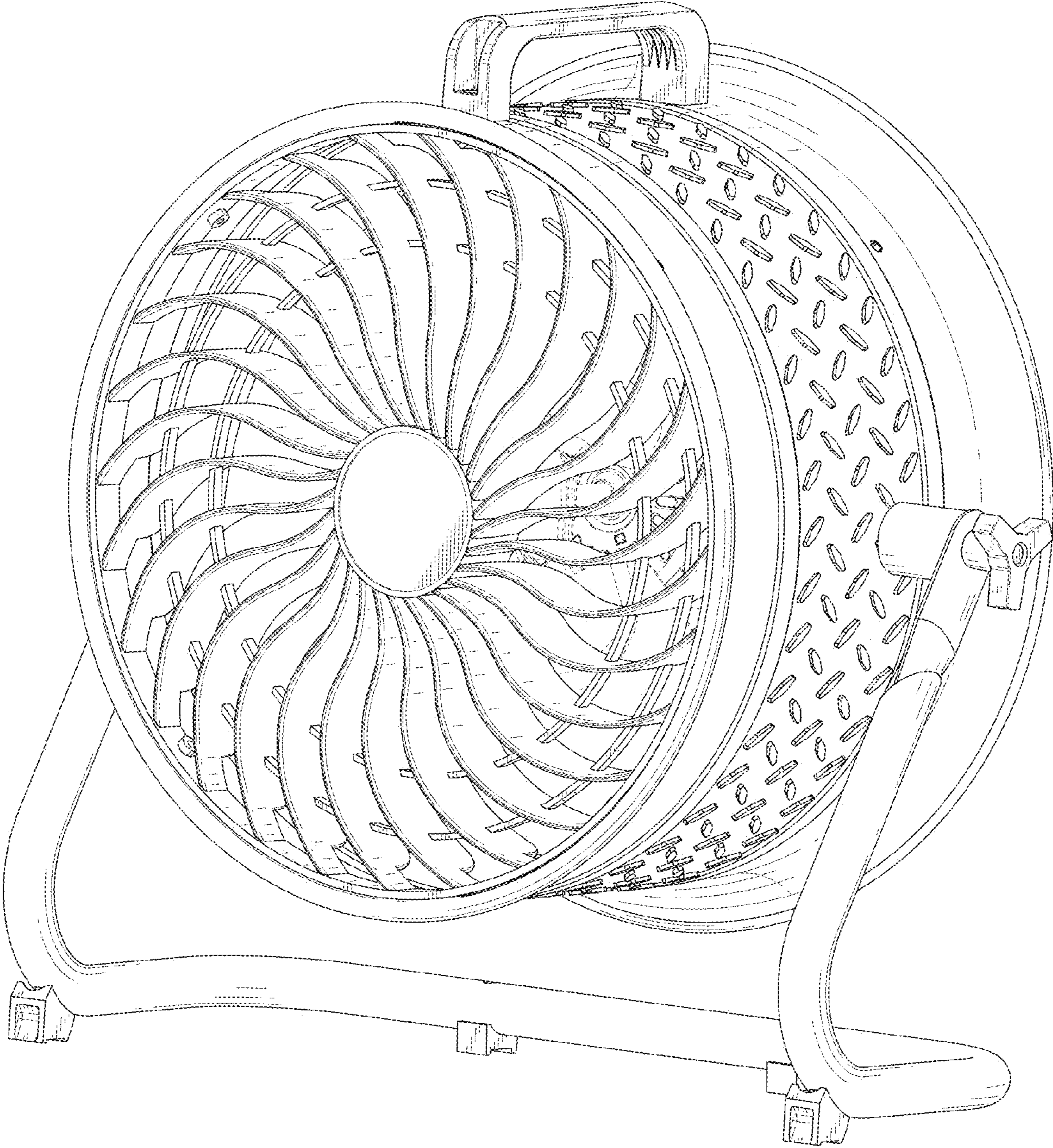


FIG. 23

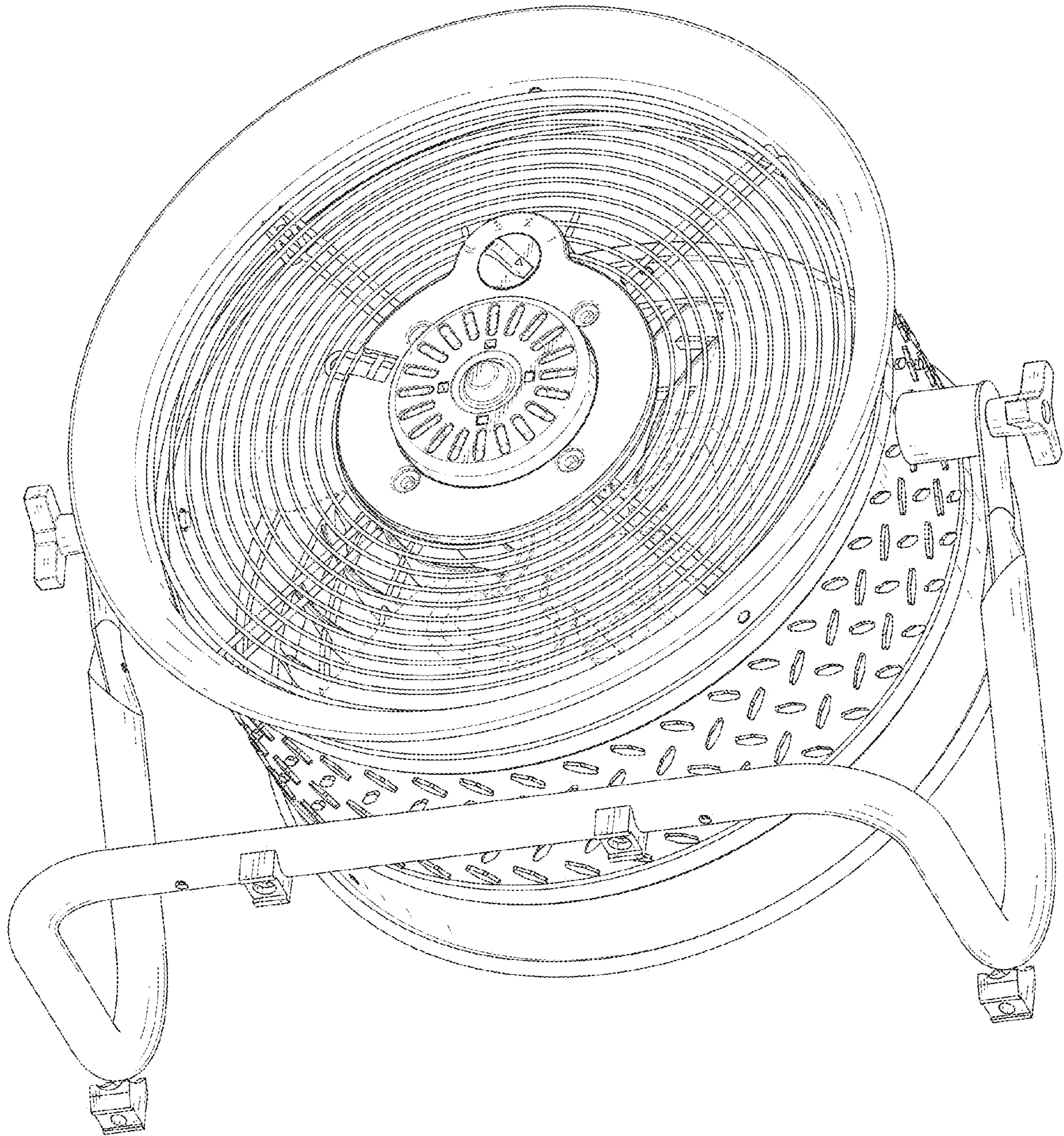


FIG. 24