



US00D963148S

(12) **United States Design Patent**
Goto et al.

(10) **Patent No.:** **US D963,148 S**

(45) **Date of Patent:** **** Sep. 6, 2022**

(54) **FAN UNIT FOR CONVERTER**

(71) Applicant: **Mitsubishi Electric Corporation,**
Tokyo (JP)

(72) Inventors: **Daisuke Goto,** Tokyo (JP); **Yusuke Ono,** Tokyo (JP); **Takeshi Obara,** Tokyo (JP)

(73) Assignee: **Mitsubishi Electric Corporation,**
Tokyo (JP)

(**) Term: **15 Years**

(21) Appl. No.: **29/743,830**

(22) Filed: **Jul. 24, 2020**

(30) **Foreign Application Priority Data**

Apr. 21, 2020 (JP) 2020-008183 D

(51) **LOC (13) Cl.** **23-04**

(52) **U.S. Cl.**
USPC **D23/380;** D23/382

(58) **Field of Classification Search**
USPC D23/370, 371, 373, 374, 379, 380–383,
D23/411–412, 332–335, 351–352;
D13/110

CPC .. F04D 25/0693; F04D 19/002; F04D 29/646;
F04D 29/522; F04D 29/667; F04D
19/007

See application file for complete search history.

(56) **References Cited**

U.S. PATENT DOCUMENTS

D296,585 S * 7/1988 Dodson D23/370
D395,053 S * 6/1998 Aske D15/89

D424,186 S * 5/2000 Dodson D23/370
D534,267 S * 12/2006 Andersen D23/370
D562,954 S * 2/2008 Brenneke D23/351
D649,234 S * 11/2011 Iovanel D23/351
D681,181 S * 4/2013 Iovanel D23/351
D857,878 S * 8/2019 Blacketer D23/382
D909,970 S * 2/2021 Jokinen D13/110
D929,325 S * 8/2021 Montgomery D13/110
D943,526 S * 2/2022 Goto D13/110
D944,733 S * 3/2022 Goto D13/110
D944,734 S * 3/2022 Goto D13/110
2005/0088825 A1* 4/2005 Miyamura G06F 1/18
361/715

* cited by examiner

Primary Examiner — Sharon S Oum

(74) *Attorney, Agent, or Firm* — Studebaker & Brackett
PC

(57) **CLAIM**

The ornamental design for a fan unit for converter, as shown and described.

DESCRIPTION

FIG. 1. is a front perspective view of the front, right, and top sides of a fan unit for converter showing our new design; FIG. 2. is a rear perspective view of the rear, left, and bottom sides thereof; FIG. 3. is a front view thereof; FIG. 4. is a rear view thereof; FIG. 5. is a top plan view thereof; FIG. 6. is a bottom plan view thereof; FIG. 7. is a right side view thereof; and, FIG. 8. is a left side view thereof.

The broken lines shown represent portions of the fan unit for converter and form no part of the claimed design.

1 Claim, 8 Drawing Sheets

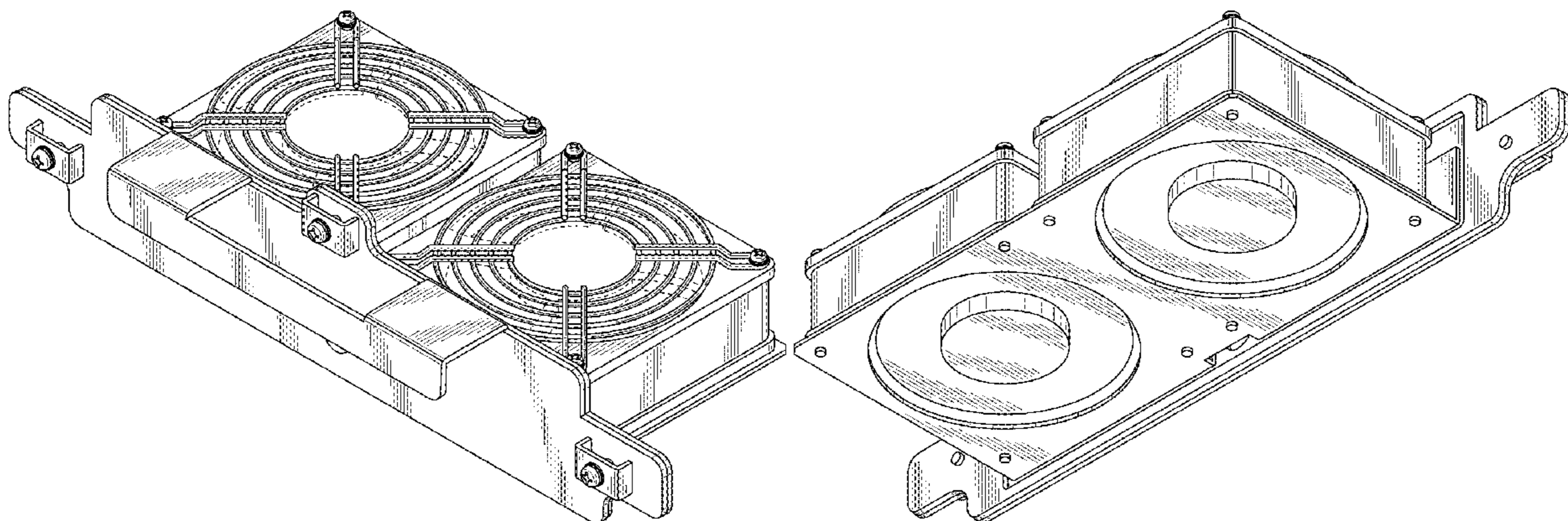


FIG. 1

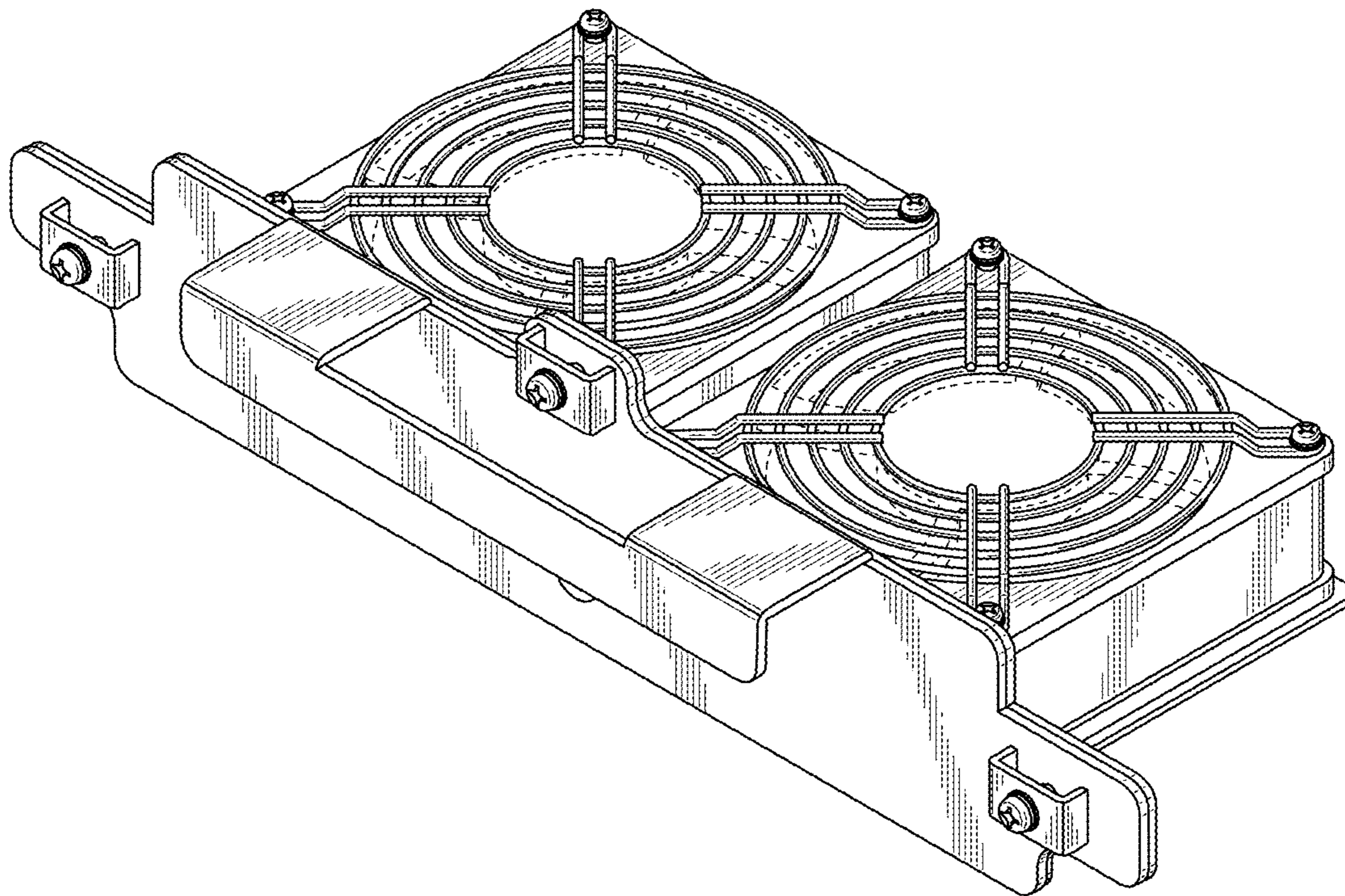


FIG. 2

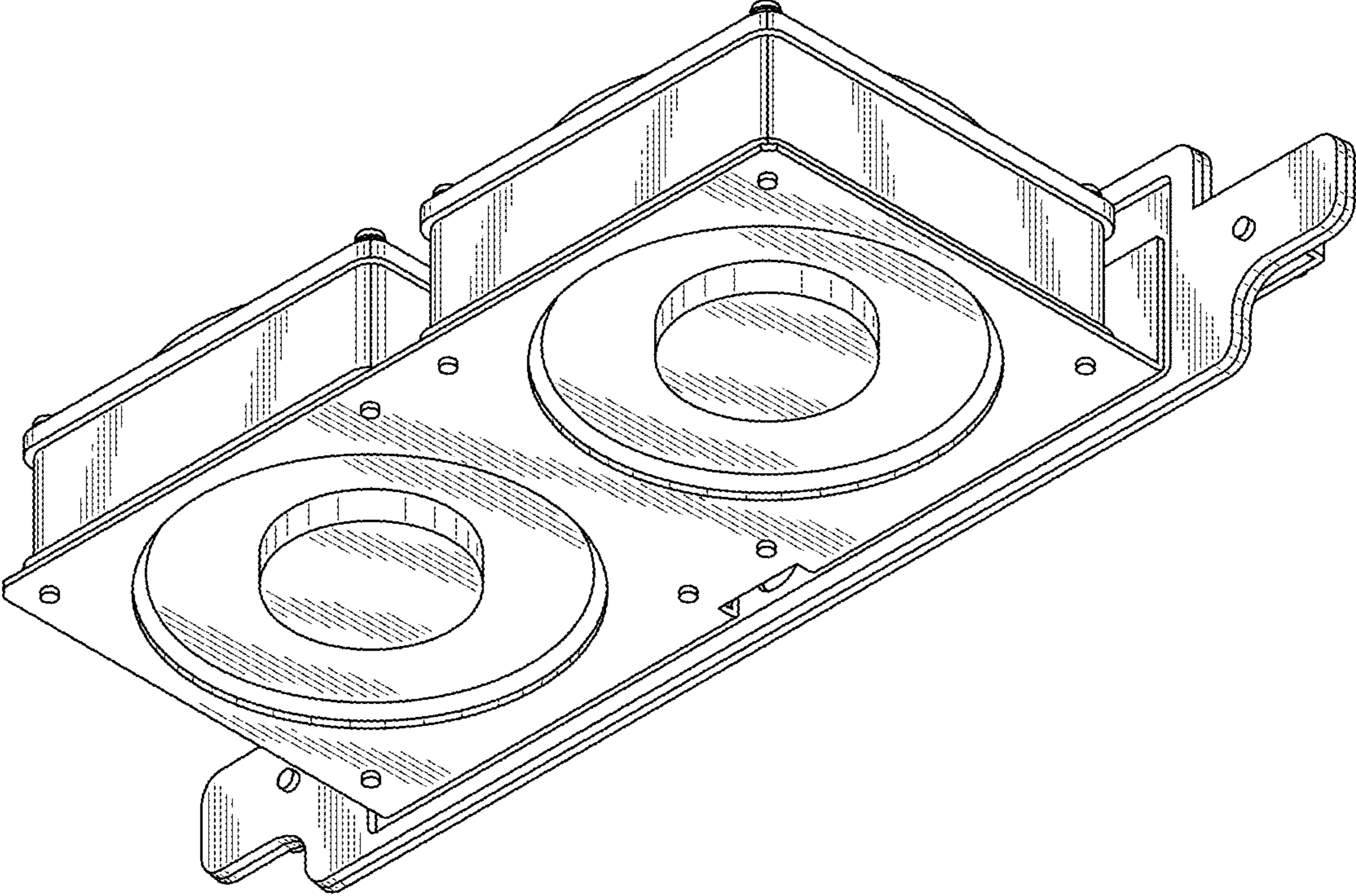


FIG. 3

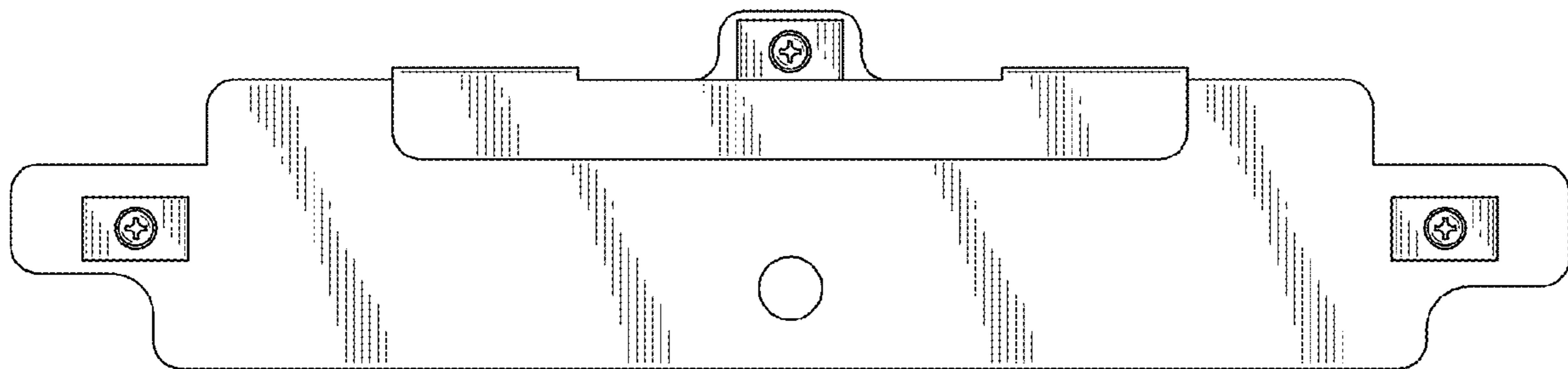


FIG. 4

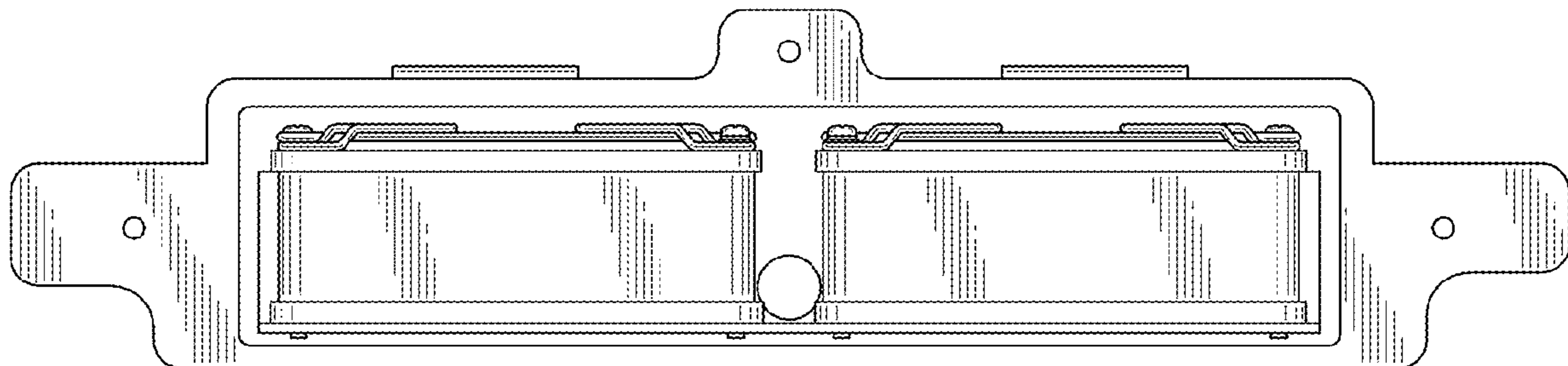


FIG. 5

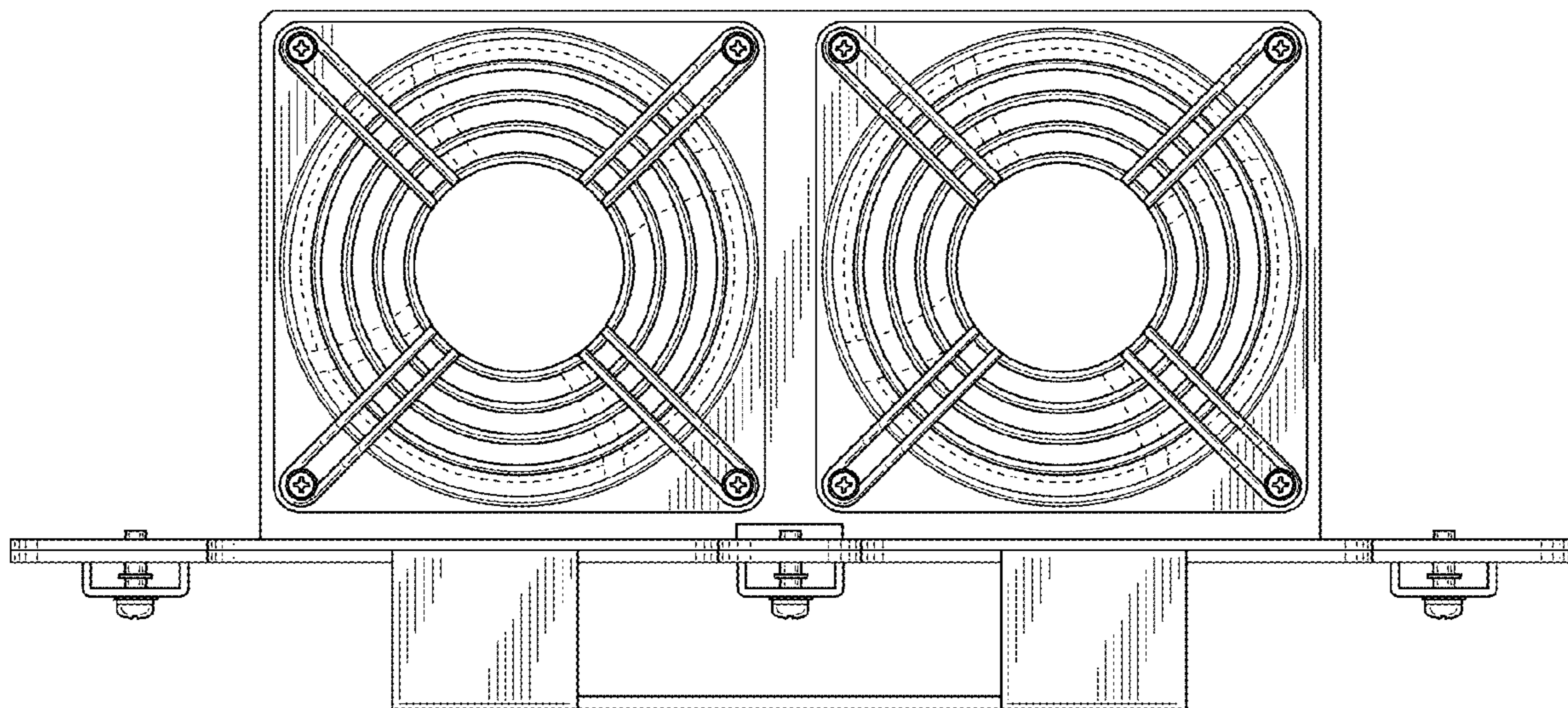


FIG. 6

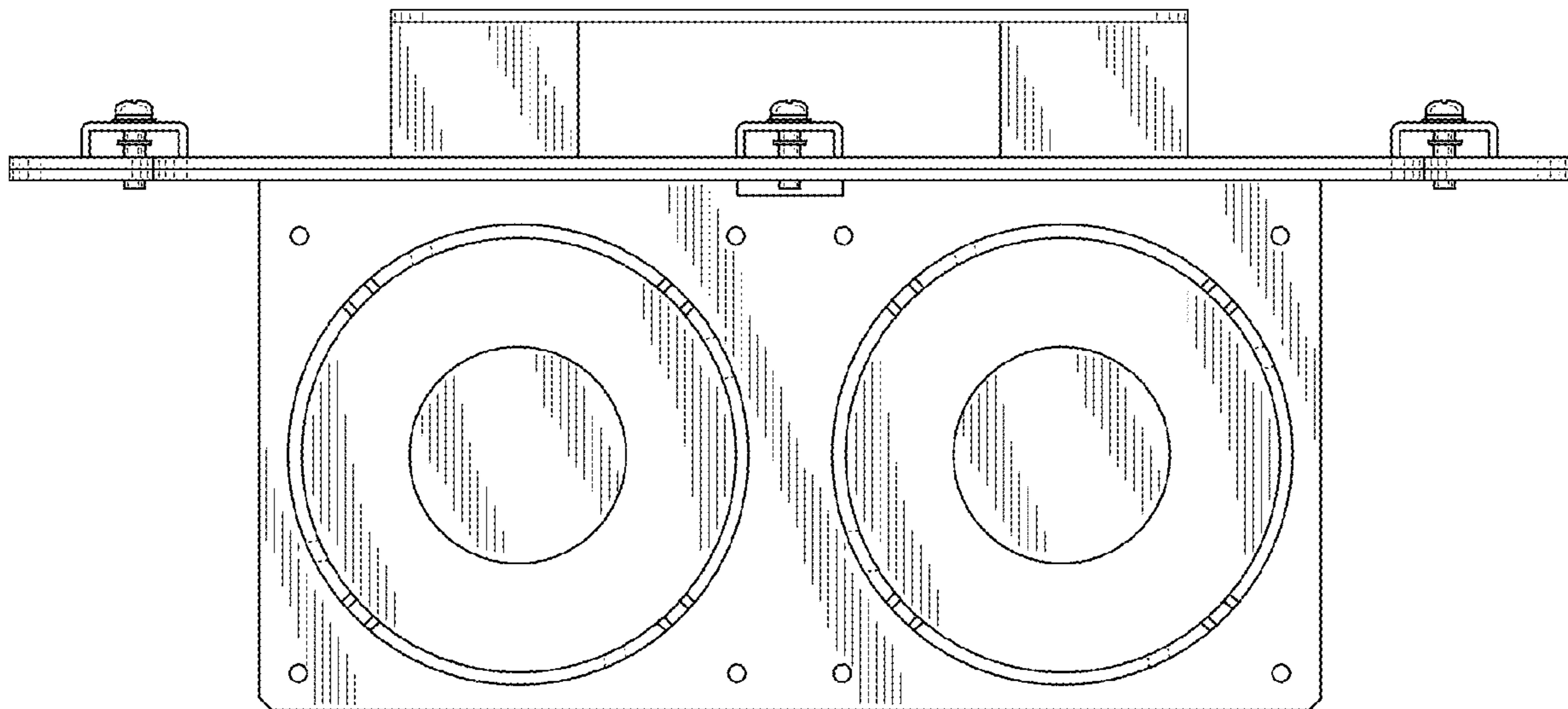


FIG. 7

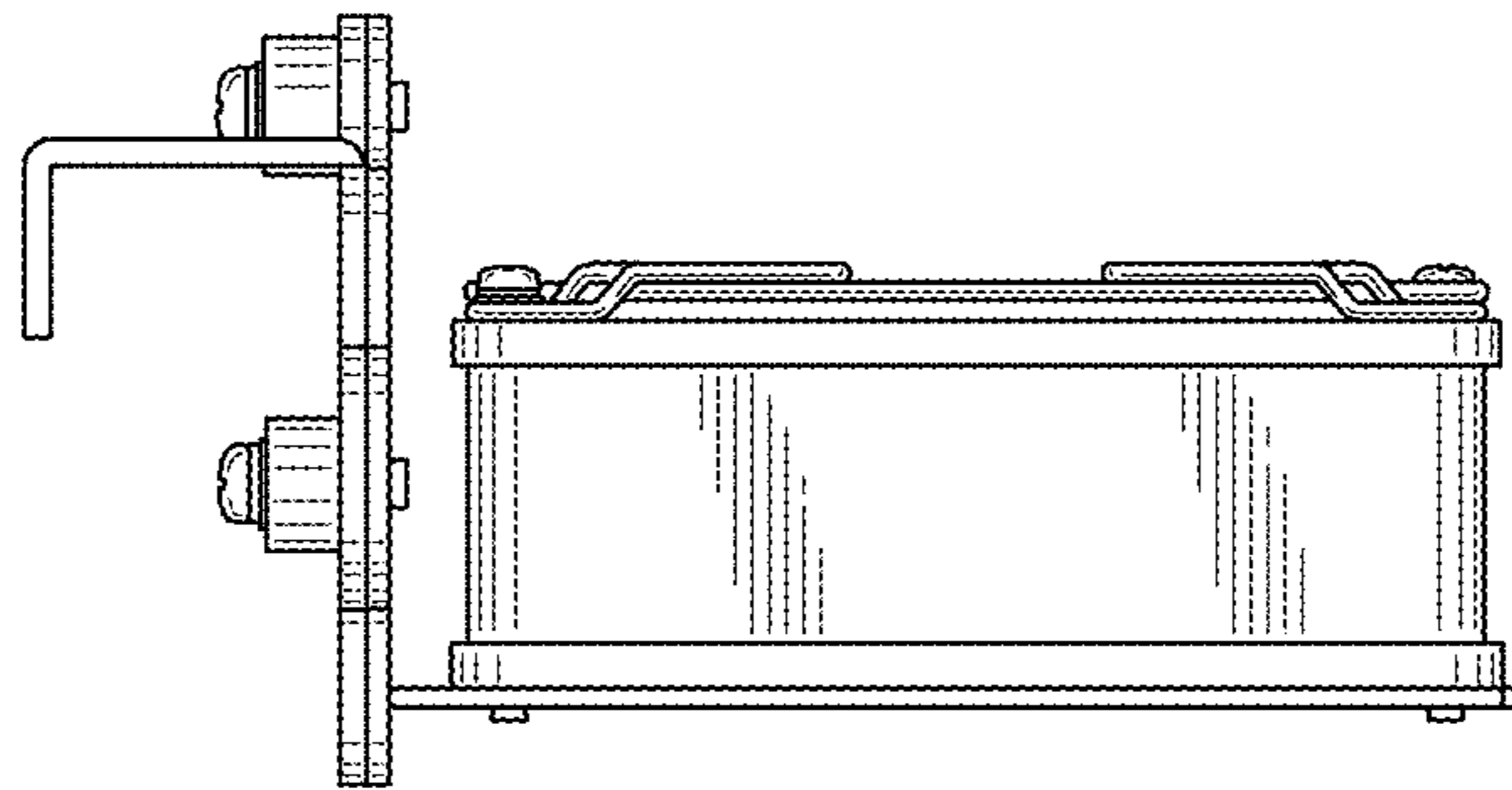


FIG. 8

