



US00D963140S

(12) **United States Design Patent**  
**Han et al.**

(10) **Patent No.:** **US D963,140 S**  
(45) **Date of Patent:** **\*\* Sep. 6, 2022**

(54) **AIR PURIFIER**

(71) Applicant: **LG ELECTRONICS INC.**, Seoul  
(KR)

(72) Inventors: **Sungkyong Han**, Seoul (KR); **Sehwan Bae**, Seoul (KR); **Myungwhoon Lee**, Seoul (KR); **Kangeui Cho**, Seoul (KR); **Jiug Ha**, Seoul (KR)

(73) Assignee: **LG ELECTRONICS INC.**, Seoul  
(KR)

(\*\*) Term: **15 Years**

(21) Appl. No.: **29/721,828**

(22) Filed: **Jan. 23, 2020**

(30) **Foreign Application Priority Data**

Jul. 25, 2019 (KR) ..... 30-2019-0035858

(51) **LOC (13) Cl.** ..... **23-04**

(52) **U.S. Cl.**  
USPC ..... **D23/364**

(58) **Field of Classification Search**

USPC .. D7/536, 538, 553.8, 554.2, 602-604, 612;  
D9/428, 545, 738, 763-764, 767;  
D23/332-335, 337, 342, 352, 355-366,  
D23/369-370; D5/1-3, 56-63  
CPC .. A61L 9/00; A61L 9/22; B01D 47/00; B01D  
47/027; B01D 2259/4508; B03C 3/155;  
B03C 3/368; F24F 3/16; F24F 13/20;  
F24F 13/28

See application file for complete search history.

(56) **References Cited**

**U.S. PATENT DOCUMENTS**

D301,088 S \* 5/1989 Kawaguchi ..... D5/58  
D670,917 S \* 11/2012 Blackford ..... D5/2  
D692,255 S \* 10/2013 Robbins ..... D6/580

D707,974 S \* 7/2014 Blackford ..... D5/61  
D805,622 S \* 12/2017 Lee ..... D23/364  
D818,096 S \* 5/2018 Cho ..... A61L 9/12  
D23/364  
D818,097 S \* 5/2018 Cho ..... B01D 46/0047  
D23/364  
D818,098 S \* 5/2018 Cho ..... D23/364  
D829,313 S \* 9/2018 Cho ..... F24F 13/082  
D23/364  
D829,314 S \* 9/2018 Cho ..... B01D 53/0415  
D23/364  
D832,414 S \* 10/2018 Sharma ..... F24F 13/20  
D23/364  
D941,980 S \* 1/2022 Zhang ..... D23/364  
(Continued)

*Primary Examiner* — Karen S Acker

*Assistant Examiner* — Jonathan E Fiencke

(74) *Attorney, Agent, or Firm* — Birch, Stewart, Kolasch  
& Birch, LLP

(57) **CLAIM**

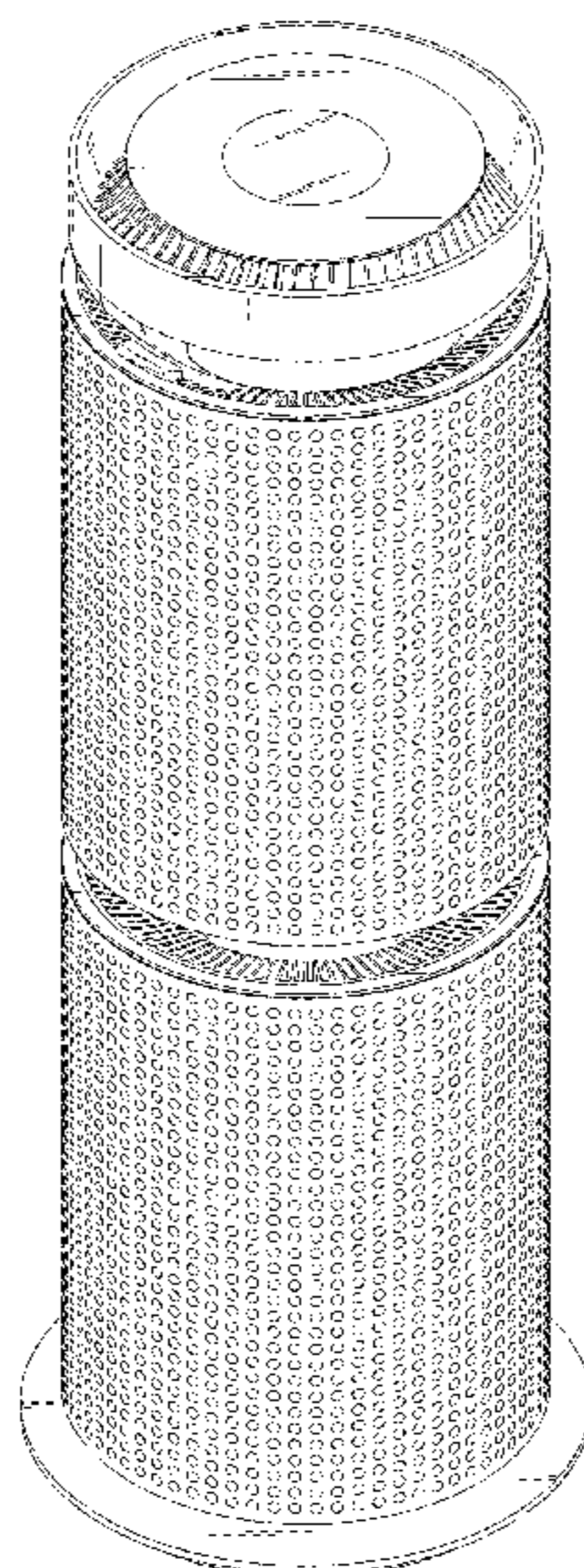
We claim the ornamental design for an air purifier, as shown  
and described.

**DESCRIPTION**

FIG. 1 is a perspective view of an air purifier showing the  
new design;  
FIG. 2 is a front elevation view thereof;  
FIG. 3 is a rear elevation view thereof;  
FIG. 4 is a left-side elevation view thereof;  
FIG. 5 is a right-side elevation view thereof;  
FIG. 6 is a top plan view thereof;  
FIG. 7 is a bottom plan view thereof; and,  
FIG. 8 is a partial perspective view showing the air purifier  
in a state of use.

The evenly spaced broken lines and unshaded areas depict  
portions of the air purifier that form no part of the claimed  
design. The dot dash dot broken line in FIG. 8 denotes the  
boundary of the partial view and forms no part of the  
claimed design.

**1 Claim, 8 Drawing Sheets**



(56)

**References Cited**

U.S. PATENT DOCUMENTS

D942,604	S	*	2/2022	Yang	.....	D23/364
D946,732	S	*	3/2022	Xu	.....	D23/364
D947,341	S	*	3/2022	Xia	.....	D23/364
D948,015	S	*	4/2022	Shen	.....	D23/364
D948,016	S	*	4/2022	Yoon	.....	D23/364
D948,691	S	*	4/2022	Chen	.....	D23/359
D950,034	S	*	4/2022	Peng	.....	D23/364
2018/0256770	A1	*	9/2018	Jang	.....	A61L 9/12
2019/0264948	A1	*	8/2019	Jung	.....	B01D 46/0047
2020/0188827	A1	*	6/2020	Yang	.....	B01D 53/0415
2021/0278097	A1	*	9/2021	Min	.....	F24F 13/20
2022/0011009	A1	*	1/2022	Lee	.....	F24F 13/28
2022/0011011	A1	*	1/2022	Yang	.....	F24F 13/082

\* cited by examiner

*FIG. 1*

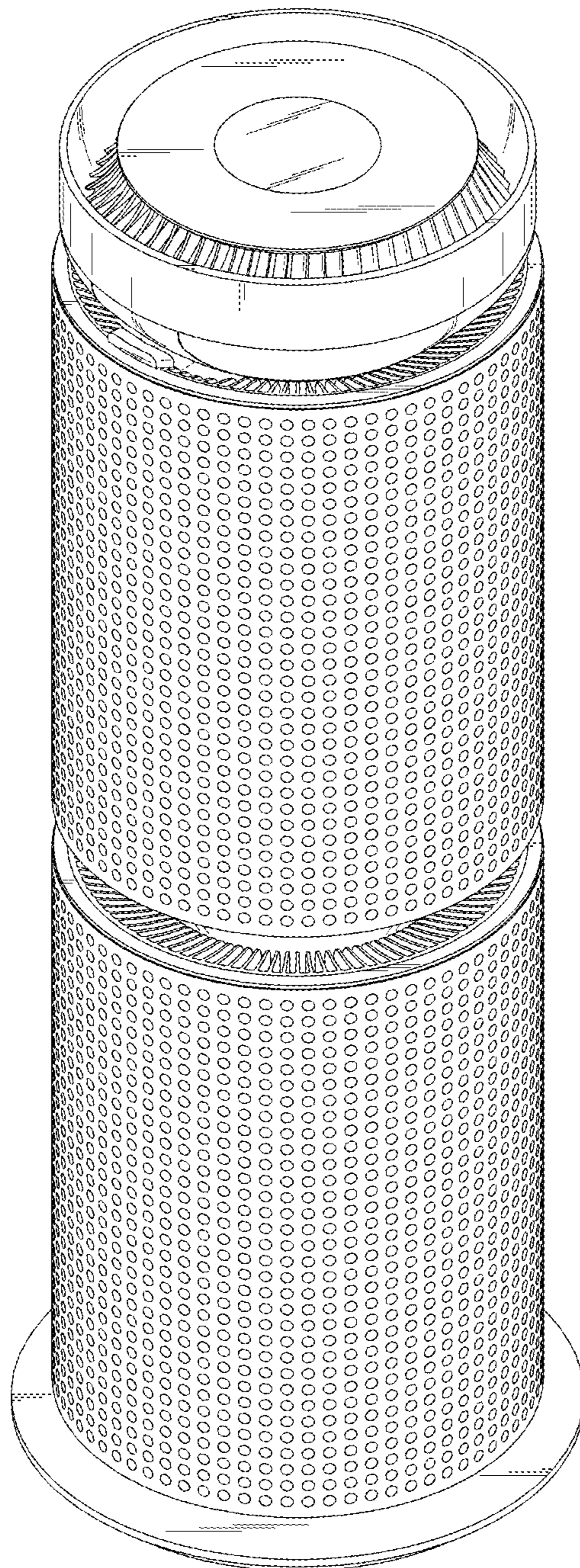


FIG. 2

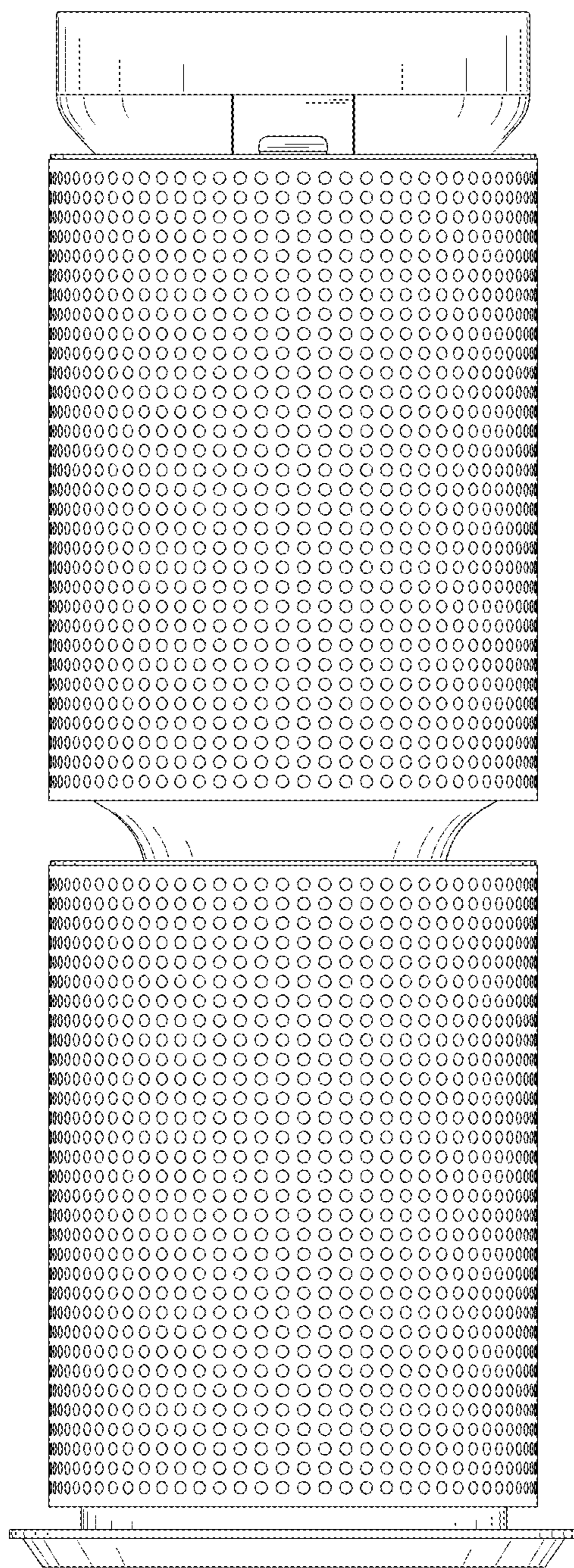


FIG. 3

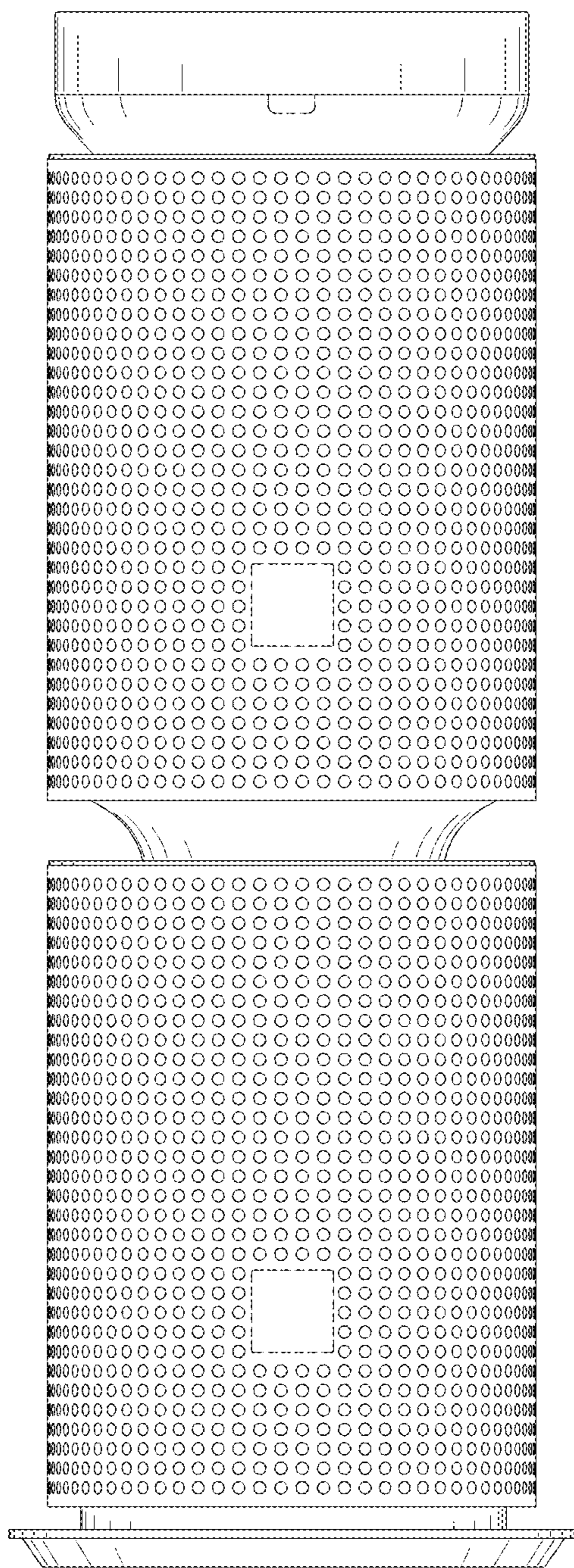
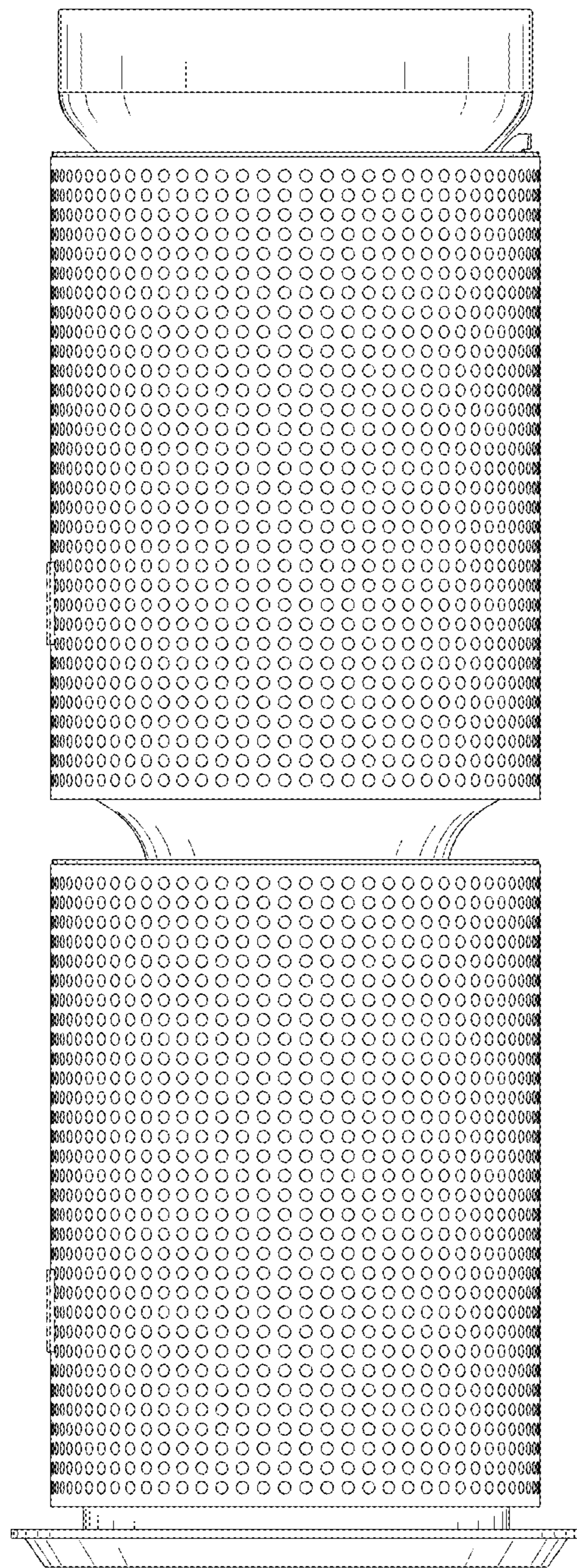
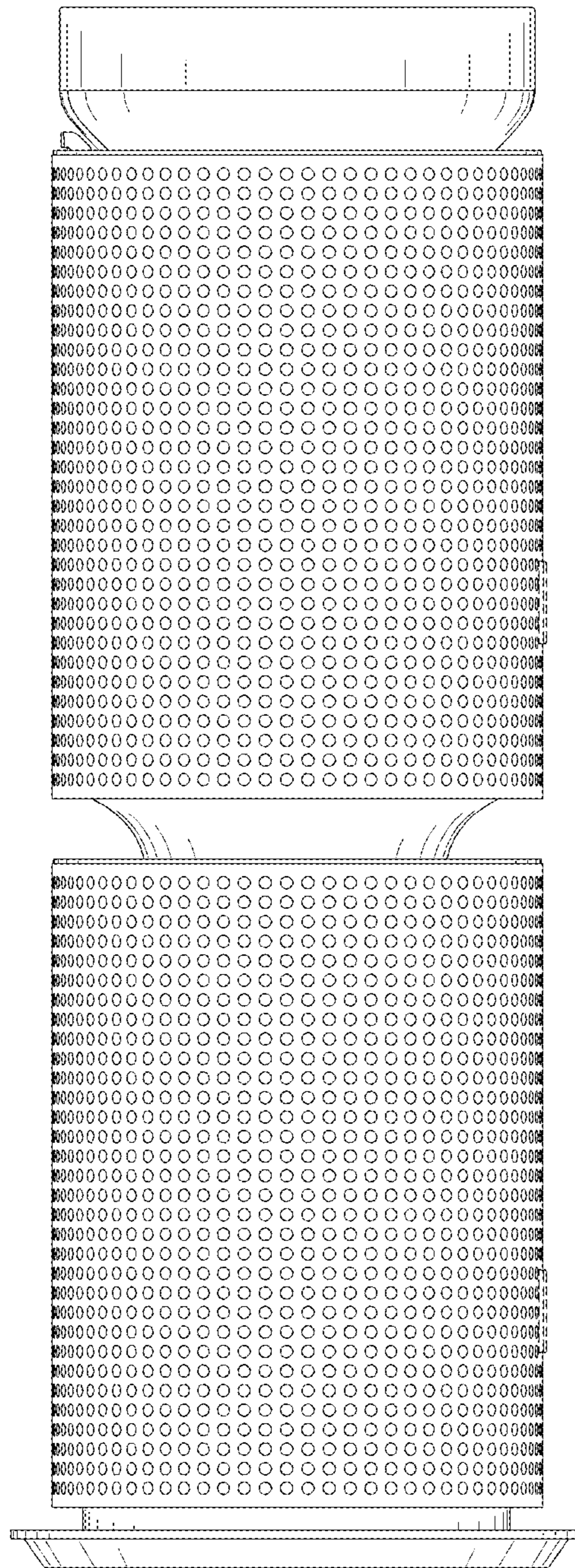


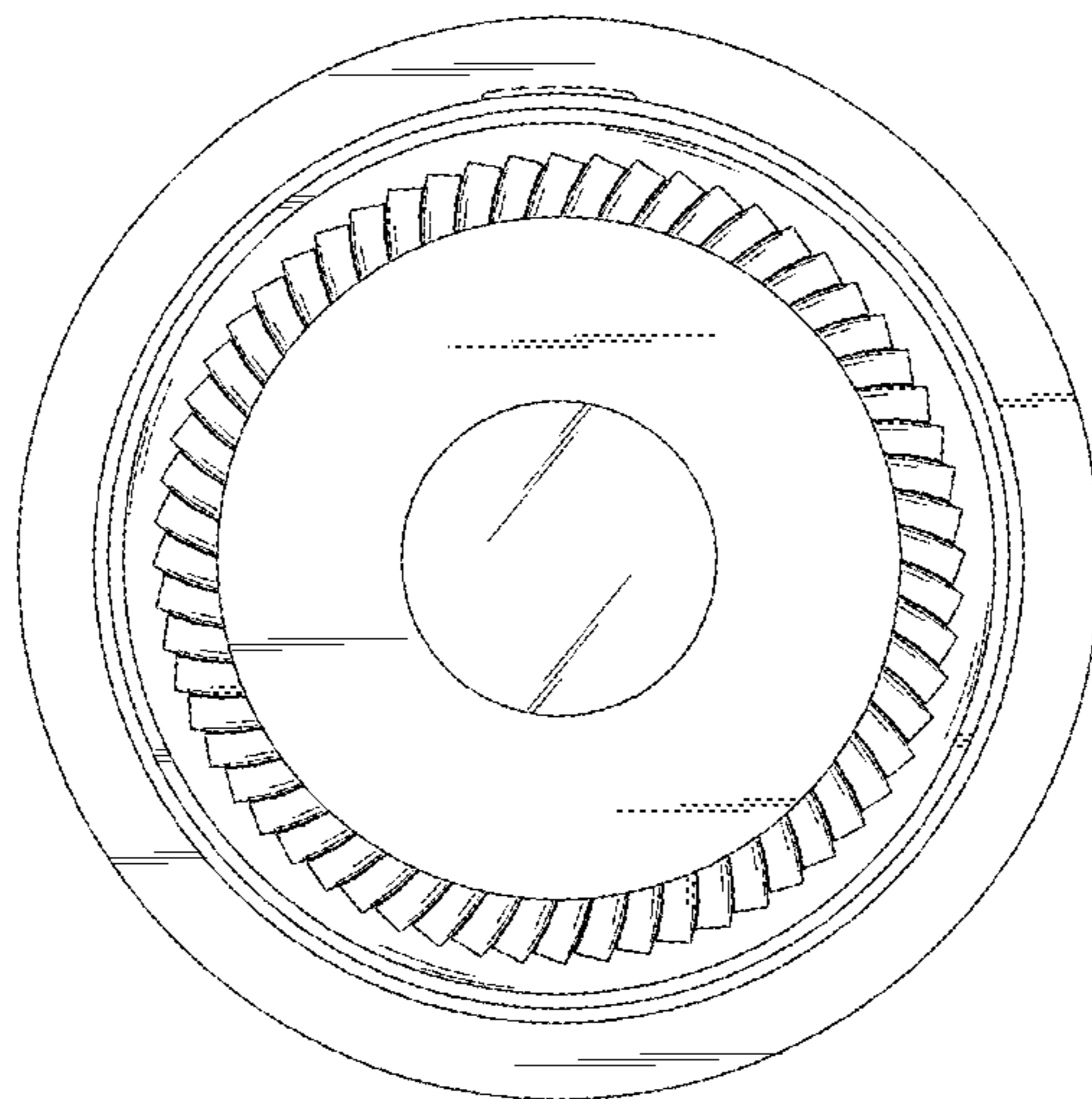
FIG. 4



*FIG. 5*

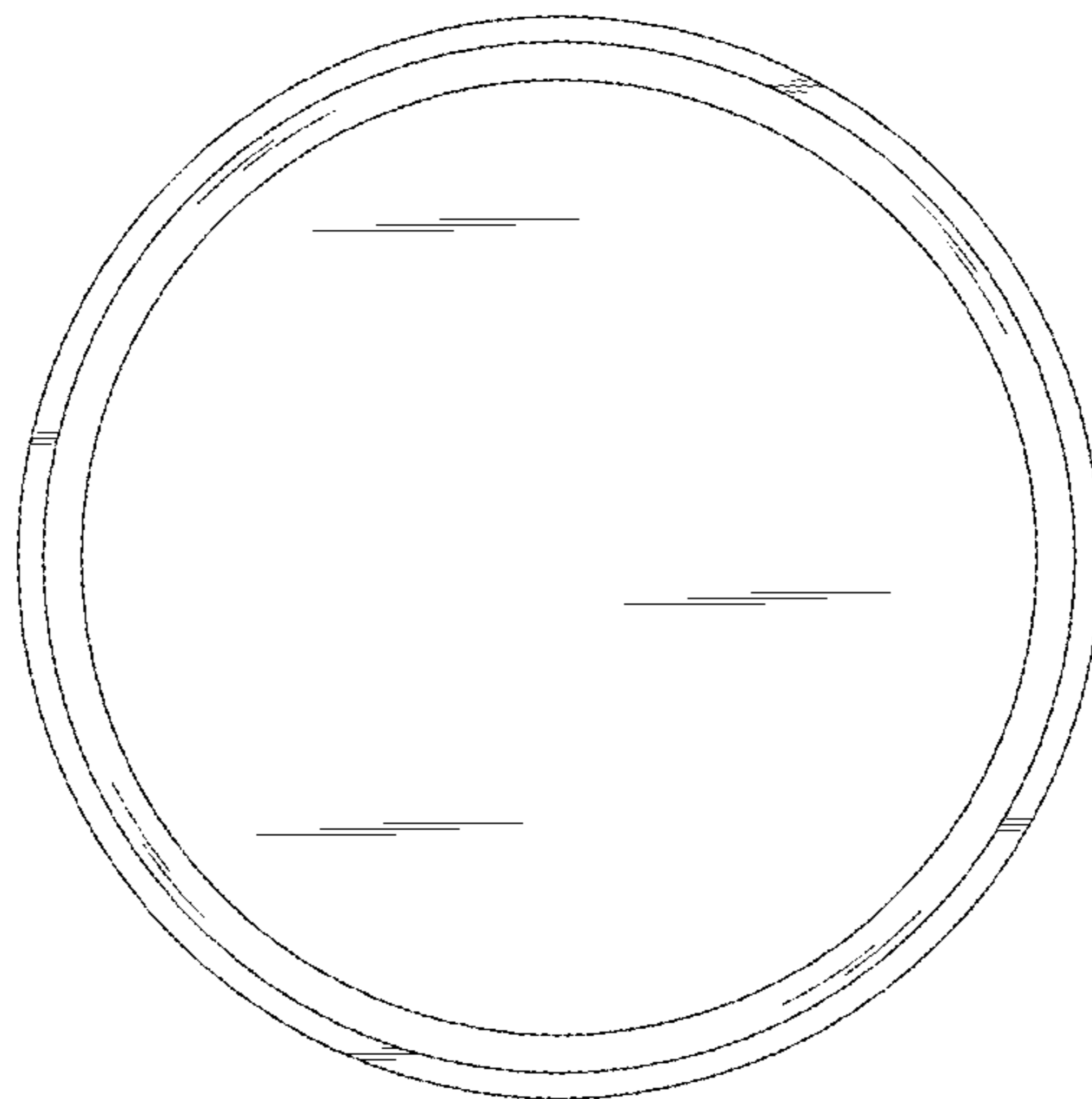


*FIG. 6*





*FIG. 7*



*FIG. 8*

