



US00D963135S

(12) **United States Design Patent** (10) **Patent No.:** **US D963,135 S**
Barlettano (45) **Date of Patent:** **** Sep. 6, 2022**

(54) **PERSONAL AIR COOLER**
(71) Applicant: **ONTEL PRODUCTS CORPORATION**, Fairfield, NJ (US)

D282,102 S 1/1986 Yuen
D291,350 S * 8/1987 Sherman D23/335
4,835,982 A 6/1989 Ferdows
(Continued)

(72) Inventor: **Scott Barlettano**, Wayne, NJ (US)

FOREIGN PATENT DOCUMENTS

(73) Assignee: **Ontel Products Corporation**, Fairfield, NJ (US)

CN 3589286 S 12/2006
CN 3643876 S 5/2007
(Continued)

(**) Term: **15 Years**

OTHER PUBLICATIONS

(21) Appl. No.: **29/732,164**

Global Sources Home Products, No. 10, vol. 8, p. 11, Design Division of the Japan Patent Office; dated Nov. 27, 2014.

(22) Filed: **Apr. 22, 2020**

(Continued)

(51) **LOC (13) Cl.** **23-04**

(52) **U.S. Cl.**
USPC **D23/333**

(58) **Field of Classification Search**
USPC D23/333, 335, 351-367, 388; D13/111, D13/102; D15/7-9.3, 144, 144.2; D34/7
CPC . A01G 13/06; A24F 25/00; A61L 9/00; A61L 9/03; A61L 9/04; A61L 9/14; A61L 9/015; A61L 9/032; A61L 9/035; A61L 9/122; A61L 2209/14; B05B 7/1686; F24F 1/00; F24F 1/027; F24F 1/02; F24F 1/08; F24F 1/42; F24F 1/56; F24F 1/60; F24F 1/62; F24F 1/64; F24F 1/0007; F24F 3/12; F24F 3/14; F24F 3/16; F24F 3/048; F24F 13/32; F24F 2221/20
See application file for complete search history.

Primary Examiner — Gino Colan
Assistant Examiner — David OBrien
(74) *Attorney, Agent, or Firm* — Dickinson Wright PLLC

(57) **CLAIM**

I claim the ornamental design for a personal air cooler, as shown and described.

DESCRIPTION

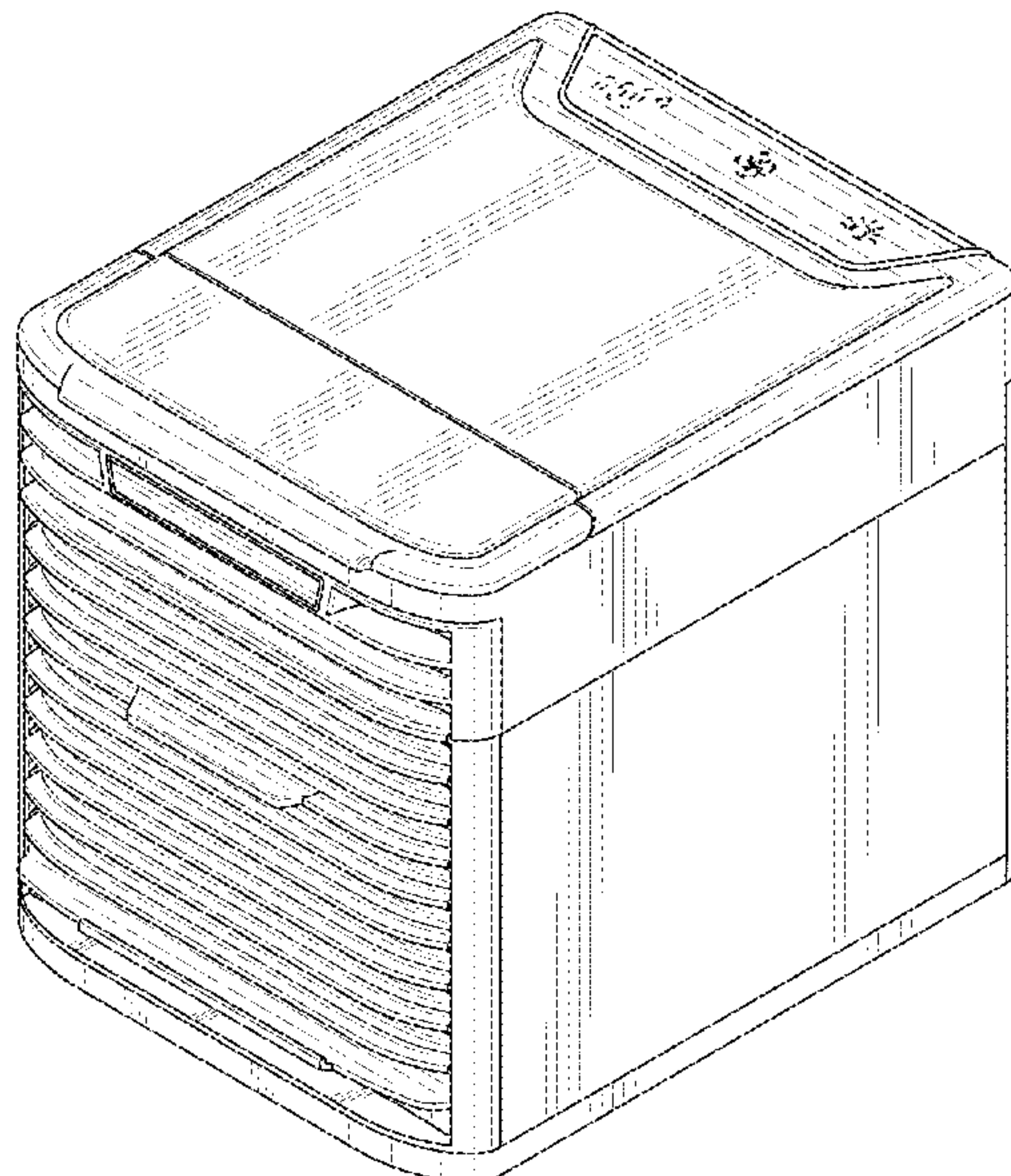
FIG. 1 is a top-side perspective front view of a personal air cooler;
FIG. 2 is a front view of the personal air cooler of FIG. 1;
FIG. 3 is a left side view of the personal air cooler of FIG. 1;
FIG. 4 is a rear view of the personal air cooler of FIG. 1;
FIG. 5 is a right side view of the personal air cooler of FIG. 1;
FIG. 6 is a top view of the personal air cooler of FIG. 1;
FIG. 7 is a bottom view of the personal air cooler of FIG. 1;
and,
FIG. 8 is a top-side perspective rear view of FIG. 1.
The broken lines in the drawings illustrate portions of the personal air cooler that form no part of the claimed design.

(56) **References Cited**

U.S. PATENT DOCUMENTS

D185,748 S 7/1959 Goettl
D188,357 S 7/1960 Klotz
3,176,117 A 3/1965 Knoll
4,016,835 A 4/1977 Varden et al.
D279,815 S 7/1985 Yuen
D282,101 S 1/1986 Yuen

1 Claim, 8 Drawing Sheets



(56)

References Cited

U.S. PATENT DOCUMENTS

D313,069 S 12/1990 McCormick
 4,977,755 A 12/1990 Tulley
 D319,498 S 8/1991 Huang
 D323,874 S 2/1992 Hirman et al.
 5,162,088 A 11/1992 Peng et al.
 5,309,726 A 5/1994 Asbridge
 D361,828 S 8/1995 Chen
 D367,525 S * 2/1996 Gruebel D23/333
 D376,418 S * 12/1996 Wang D23/332
 D384,407 S 9/1997 Yamada
 D402,745 S 12/1998 Termeer et al.
 D402,746 S 12/1998 Clark et al.
 D414,253 S 9/1999 Kobayashi
 D416,993 S 11/1999 Dong et al.
 6,098,895 A 8/2000 Walzel et al.
 D433,111 S 10/2000 Wright
 6,155,782 A 12/2000 Hsu
 D448,071 S 9/2001 Birdsell et al.
 6,293,121 B1 9/2001 Labrador
 D453,558 S 2/2002 Segawa et al.
 D468,005 S 12/2002 Bailey
 6,581,402 B2 6/2003 Maisotsenko et al.
 D516,689 S 3/2006 Salmon et al.
 D536,780 S 2/2007 Lerche et al.
 D543,614 S 5/2007 Chen
 D553,725 S 10/2007 Shimizu
 D559,973 S 1/2008 Rabito
 D594,960 S 6/2009 Orihara
 D606,645 S 12/2009 Orihara
 7,698,906 B2 4/2010 Jarvis
 D616,080 S 5/2010 Ching
 D621,026 S 8/2010 Peterson et al.
 7,997,565 B1 8/2011 Chan
 D691,250 S 10/2013 Chan
 D731,633 S 6/2015 Farone et al.
 D733,273 S 6/2015 Jeon
 D733,860 S 7/2015 Konno
 D769,431 S 10/2016 Lopez
 D788,279 S 5/2017 Lee et al.
 D791,290 S 7/2017 Shapiro
 D804,001 S 11/2017 Cartwright
 10,006,648 B2 6/2018 Vandermeulen et al.
 D827,115 S 8/2018 Petersen
 D841,795 S 2/2019 Chen
 D848,593 S * 5/2019 Exley D23/351
 D849,220 S * 5/2019 Fang D23/364
 D852,340 S * 6/2019 Barlettano F24F 1/02
 D23/333
 D875,235 S 2/2020 Coleman et al.
 10,712,029 B1 * 7/2020 Barlettano F24F 8/117
 D896,936 S * 9/2020 Ou D23/333
 2009/0211291 A1 8/2009 Gildersleeve et al.
 2014/0260402 A1 9/2014 Varma
 2015/0247644 A1 9/2015 Stearns
 2017/0138650 A1 5/2017 Eiserer
 2019/0226696 A1 7/2019 Kim et al.
 2020/0326081 A1 10/2020 Barlettano
 2021/0148584 A1 5/2021 Barlettano

FOREIGN PATENT DOCUMENTS

CN 201331225 Y 10/2009
 CN 301559760 S 11/2010
 CN 301635055 S 3/2011
 CN 202032693 U 11/2011
 CN 301743975 S 11/2011
 CN 202470270 U 10/2012
 CN 302405864 S 4/2013
 CN 302782479 S 4/2014
 CN 302809630 S 4/2014
 CN 302809632 S 4/2014
 CN 203848426 U 9/2014
 CN 303013053 S 11/2014
 CN 303321645 S 8/2015

CN 106091220 A 11/2016
 CN 304047506 S 2/2017
 CN 304206641 S 7/2017
 CN 304229250 S 8/2017
 CN 304232931 S 8/2017
 CN 304275843 S 9/2017
 CN 107327992 A 11/2017
 CN 304409176 S 12/2017
 CN 206905164 U 1/2018
 CN 207262610 U 4/2018
 CN 304589588 S 4/2018
 CN 304594138 S 4/2018
 CN 304607851 S 5/2018
 CN 304607887 S 5/2018
 CN 207527751 U 6/2018
 CN 207975768 U 10/2018
 CN 304870145 S 10/2018
 CN 108826551 A 11/2018
 CN 208042402 U 11/2018
 CN 304934939 S 12/2018
 CN 304947235 S 12/2018
 CN 305072142 S 3/2019
 CN 305223717 S 6/2019
 CN 305281766 S 7/2019
 CN 209639184 U 11/2019
 CN 209689113 U 11/2019
 CN 305474029 S 12/2019
 CN 305612741 S 2/2020
 CN 305612750 S 2/2020
 CN 305627369 S 2/2020
 CN 305627370 S 2/2020
 CN 305672142 S 3/2020
 CN 210290192 U 4/2020
 CN 305708993 S 4/2020
 CN 306360588 S 3/2021
 EP 661504 A1 7/1995
 EP 0017127704-0001 6/2010
 GB 2420083 A 5/2006
 JP D1258427 S 12/2005
 JP 1374275 11/2009
 JP 1388881 5/2010
 KR 100543336 B1 12/1899
 KR 30-0309259 10/2002
 KR 30-0309260 10/2002
 KR 30602966-1 6/2013
 KR 30-0764177 10/2014
 KR 30-0765886 10/2014
 KR 30-0865259 7/2016
 KR 20160083171 A 7/2016
 TW M490518 U 11/2014
 WO 9513506 A1 5/1995
 WO 2005073642 A1 8/2005
 WO 2018058132 A1 3/2018

OTHER PUBLICATIONS

GDSTime EC Cooling Fan, www.amazon.com/dp/B07H8W376G, retrieved Nov. 7, 2018.
 Ontel AA-MC4 Arctic Air Personal Space & Portable Cooler | The Quick & Easy Way to Cool Any Space, As Seen On TV, www.amazon.com/AA-MC4-Arctic-Personal-Portable-Cooler/dp/B0787DD3RX, retrieved Oct. 31, 2018.
 Evapolar Air Cooler evaSmart EV-3000 Opaque White US Plug, www.amazon.com/dp/B075G1HBNW, retrieved Oct. 31, 2018.
 Evapolar EV1000CART Replacement Evaporative Cartridge for EV-1000 evaLight Personal Air Cooler and Humidifier, www.amazon.com/Evapolar-EV1000CART-Replacement-Evaporative-Humidifier/dp/B06XT5B742, retrieved Oct. 31, 2018.
 HoMedics MyChill Personal Space Cooler in Blue, www.amazon.com/HoMedics-MyChill-Personal-Space-Cooler/dp/B075564HQZ, retrieved Oct. 31, 2018.
 Filter for Personal Space Cooler, Arctic Air Cooler Replacement Filter Humidifier, www.amazon.com/dp/B07DGMWSH6/, retrieved Oct. 31, 2018.
 Ontel Arctic Air Personal Space Cooler Replacement Filter Authentic OEM, www.amazon.com/dp/B07DQ6DXXC/, retrieved Oct. 31, 2018.

(56)

References Cited

OTHER PUBLICATIONS

World's First Personal Air Cooler (EVAPOLAR), www.youtube.com/watch?v=k4NxwBPTqOA, published Aug. 23, 2016.

Domus, vol. 767, Jan. 31, 1995, p. 108, Design Division of the Japan Patent Office.

Issuance of Notice of Grant for Japanese Design Application No. 2018-013816.

Costway Evaporative Cooler—Oscillating Air Cooler with LED Display—Remote Control—125 Square Foot Cooling, 8-Hour Timing Function, for Home & Office, Cooling & Humidification Function (41-Inch), <https://www.amazon.com/dp/B07XNTDGLD>, accessed May 29, 2020.

GLmblllo Baby Stroller Mini Fan, https://www.amazon.com/GLmblllo-Stroller-Portable-Cooler-Child/dp/B07V6R2DC8/ef=sr_1_2?keywords=portable+evaporative+cooler+stroller&qid=1578343377&sr=8-2, retrieved Mar. 26, 2020.

European Search Report; Appl. No. 19154738.9, dated Aug. 29, 2019; 4 pages.

Filter for Personal Space Cooler, Arctic Air Cooler Replacement Filler Humidifier, www.amazon.com/dp/B07DGWMSH6/, retrieved Oct. 31, 2018.

NewAir AF-310 Portable Evaporative Air Fan and Humidifier. Personal Indoor Outdoor Swamp Cooler, <https://www.amazon.com/NewAir-Portable-Evaporative-Humidifier-AF-310/dp/B009KGB-4FK/>, accessed on May 29, 2020.

Luma Comfort EC45S Tower Evaporative Cooler with 125 Square Foot Cooling, 250 CFM, <https://www.amazon.com/Luma-Comfort-EC45S-Evaporative-Cooling/dp/B007SNQ4FM/>, accessed on May 29, 2020.

Luonita Portable Air Conditioner, <https://www.amazon.com/Luonita-Portable-Conditioner-Humidifier-Evaporative/dp/B07TXZ57XR/>, retrieved Mar. 26, 2020.

* cited by examiner

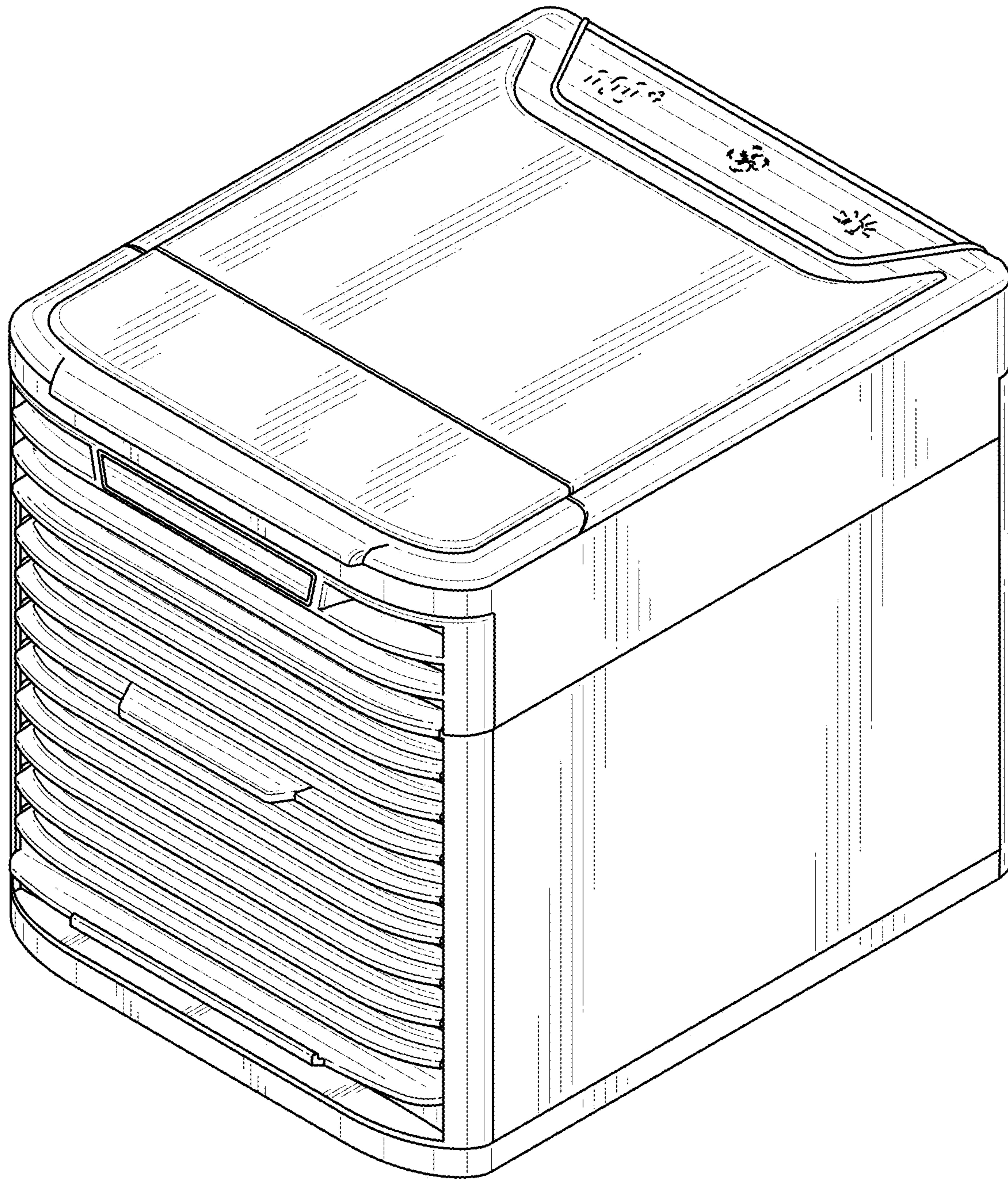


FIG. 1

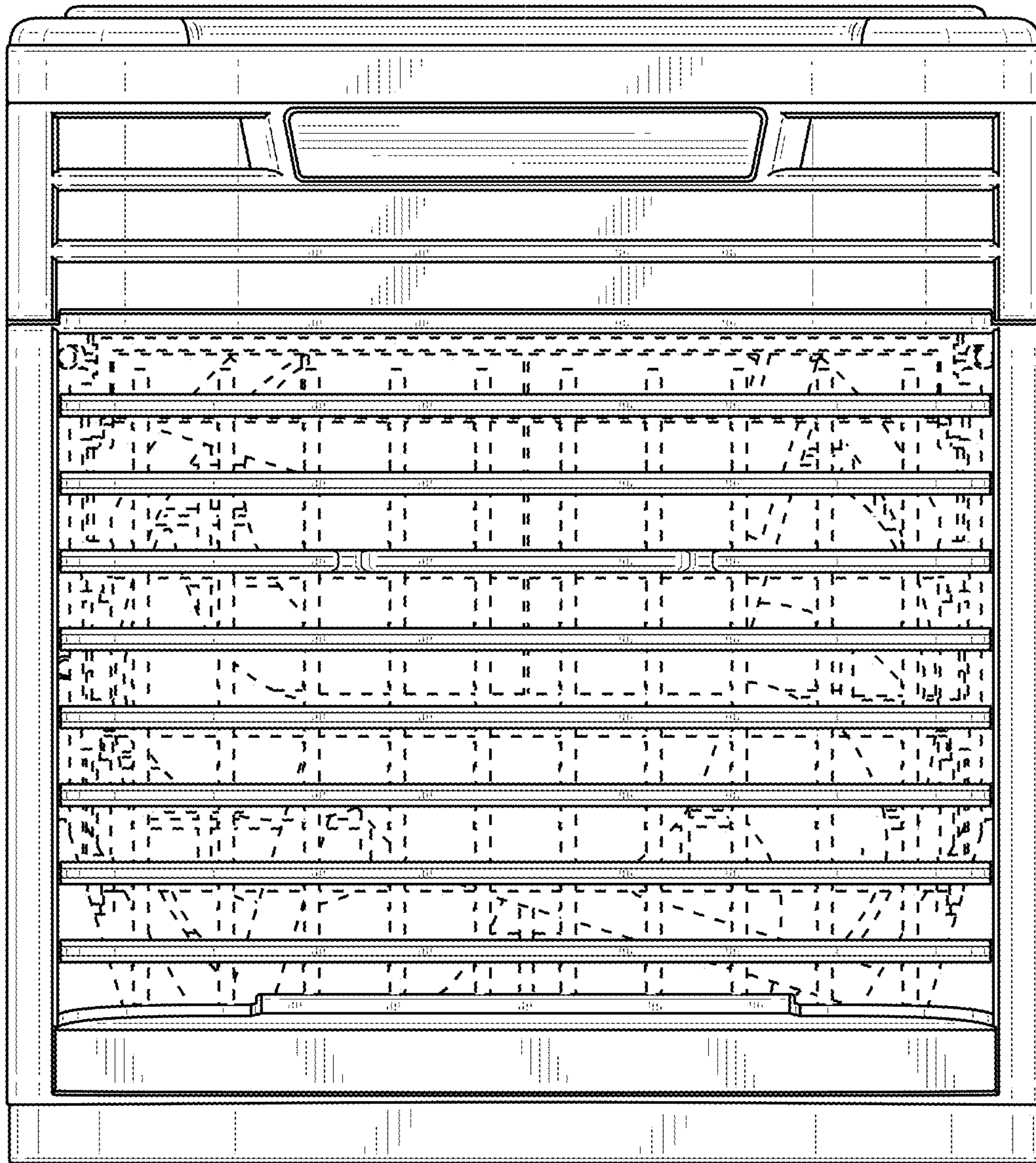


FIG. 2

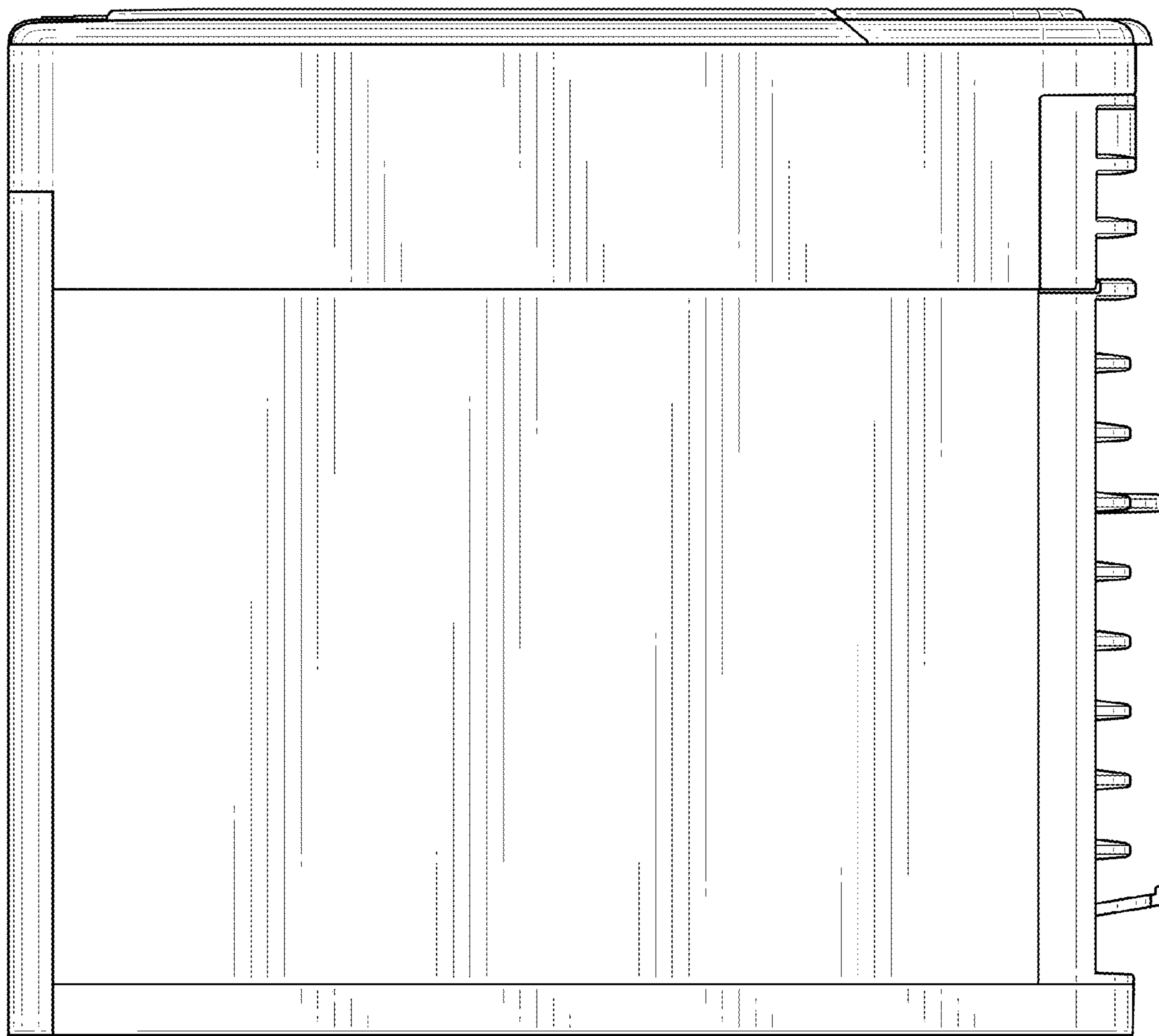


FIG. 3

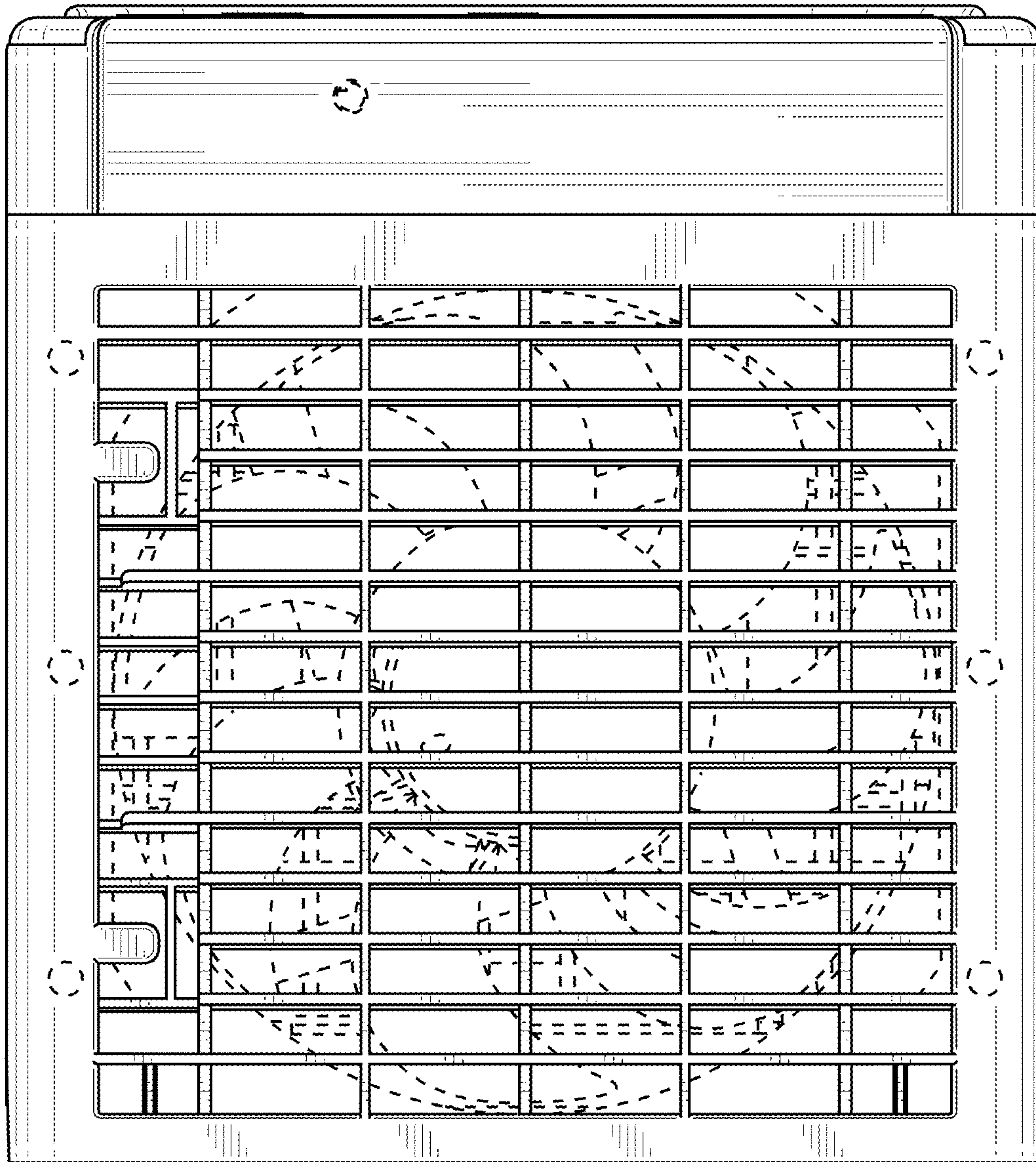


FIG. 4

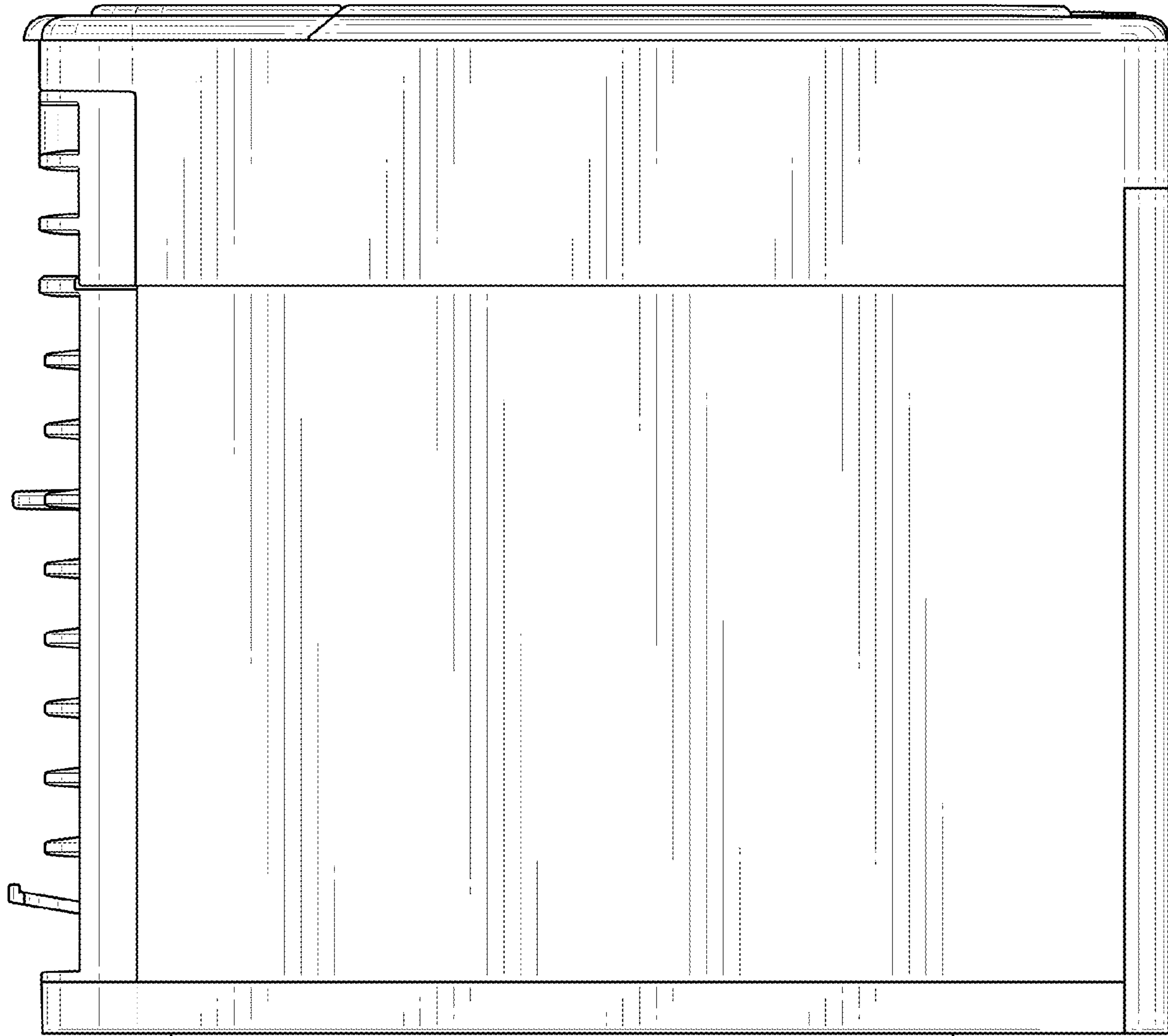


FIG. 5

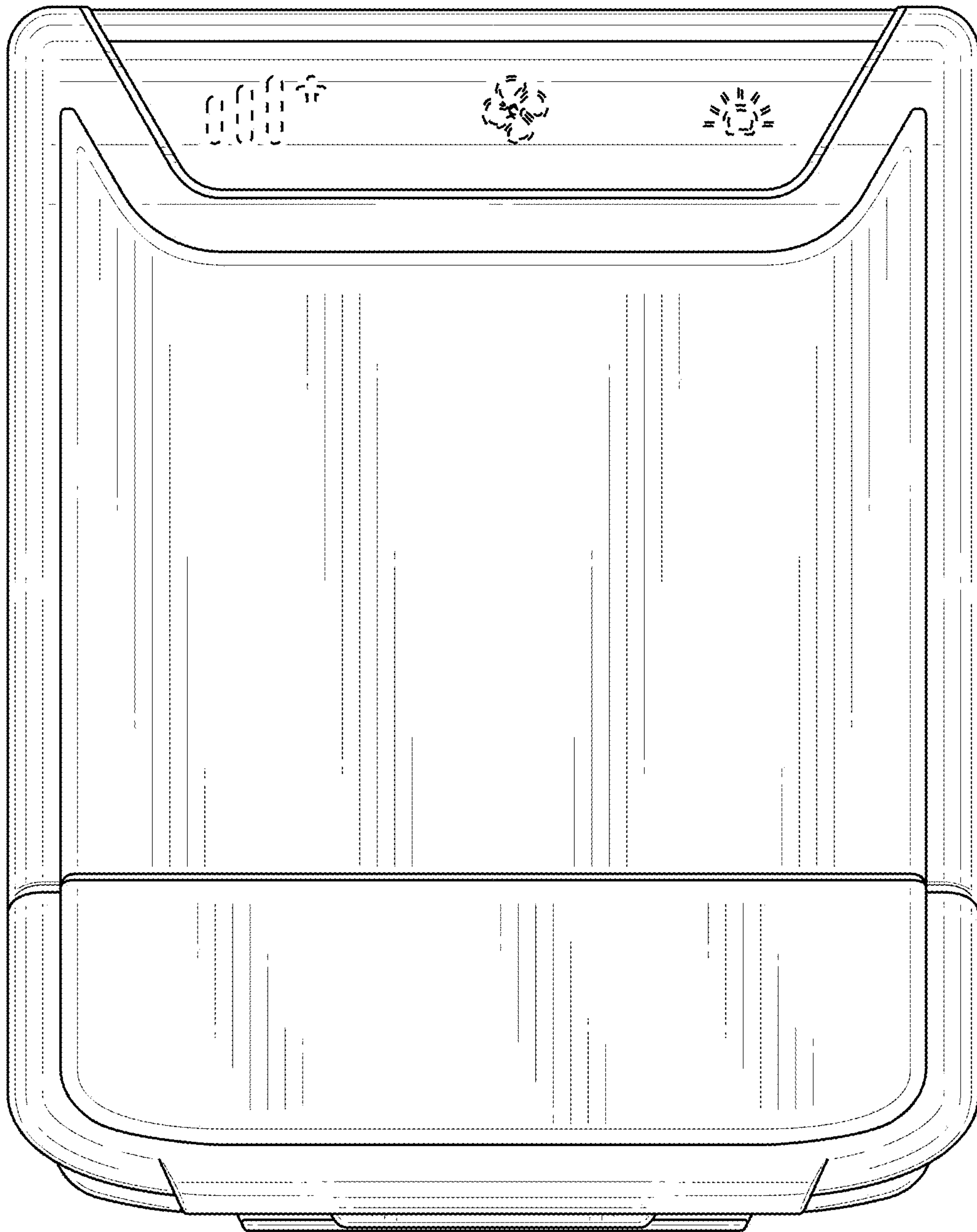


FIG. 6

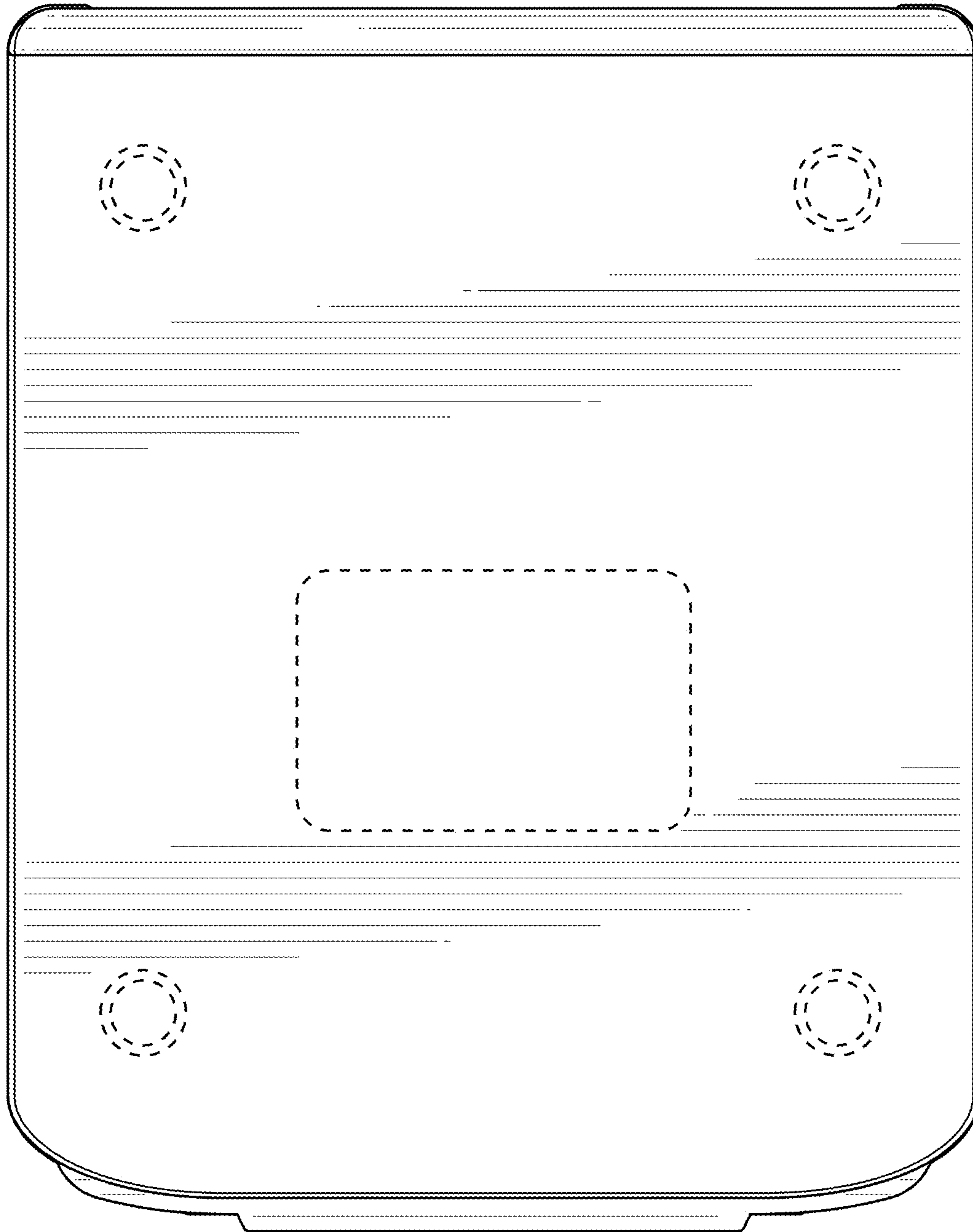


FIG. 7

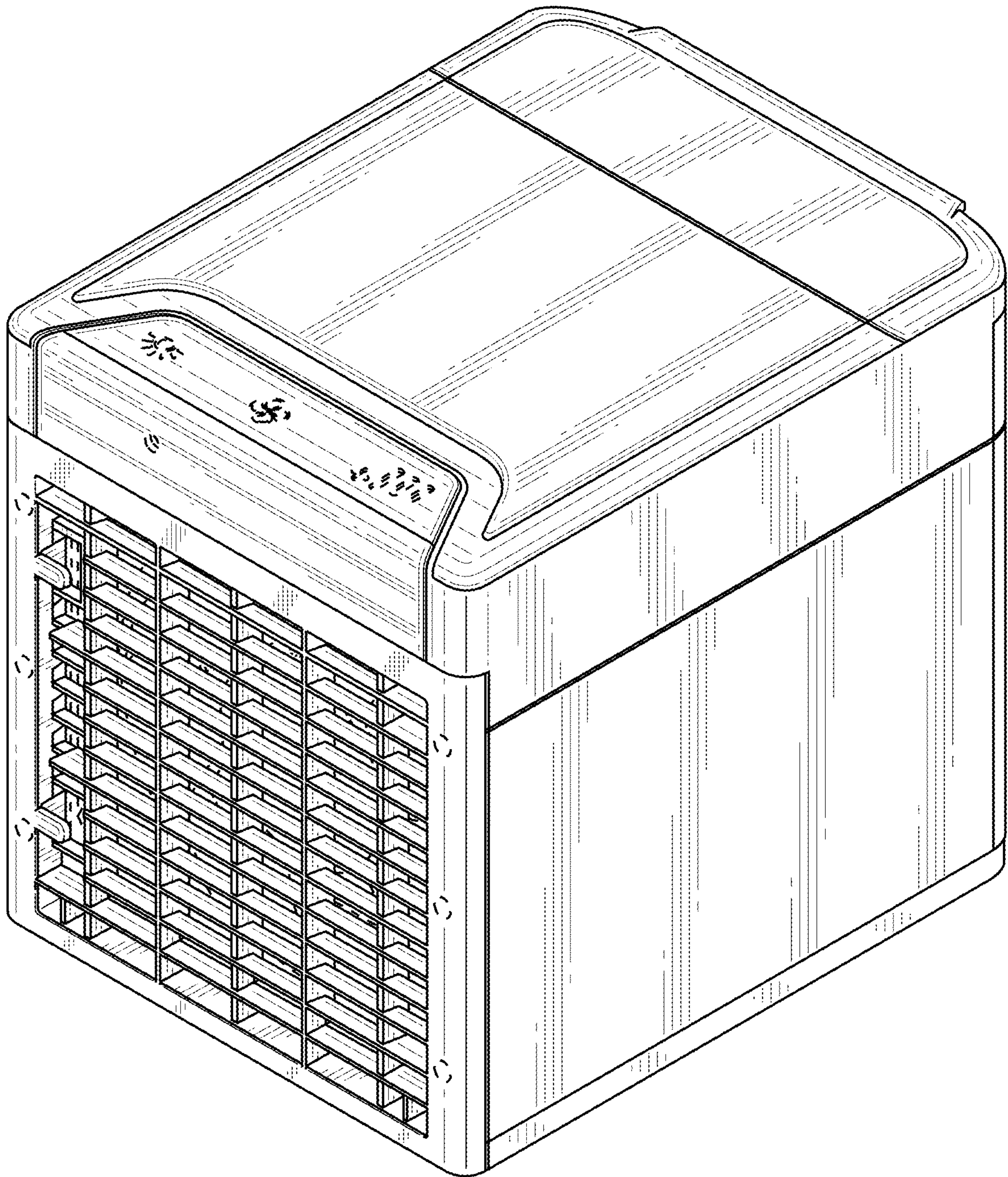


FIG. 8