



US00D963133S

(12) **United States Design Patent** (10) **Patent No.:** **US D963,133 S**
Doubet et al. (45) **Date of Patent:** **** Sep. 6, 2022**

(54) **UNDERMOUNT SINK BASIN**

(74) *Attorney, Agent, or Firm* — Boyle Fredrickson S.C.

(71) Applicant: **Bradley Fixtures Corporation**,
Menomonee Falls, WI (US)

(57) **CLAIM**

(72) Inventors: **Eric William Doubet**, Oak Creek, WI (US); **Scott Michael Kluck**, Mequon, WI (US); **William L. Haas**, Richfield, WI (US)

The ornamental design for an undermount sink basin, substantially as shown and described.

(73) Assignee: **Bradley Fixtures Corporation**,
Menomonee Falls, WI (US)

DESCRIPTION

(**) Term: **15 Years**

FIG. 1 is a front, raised perspective view of an undermount sink basin according to the invention;

(21) Appl. No.: **29/814,975**

FIG. 2 is a front view of the undermount sink basin according to FIG. 1;

(22) Filed: **Nov. 10, 2021**

FIG. 3 is a rear view of the undermount sink basin according to FIG. 1;

Related U.S. Application Data

(62) Division of application No. 29/697,501, filed on Jul. 9, 2019, now Pat. No. Des. 939,064.

FIG. 4 is left side view of the undermount sink basin according to FIG. 1;

(51) **LOC (13) Cl.** **23-02**

FIG. 5 is a right side view of the undermount sink basin according to FIG. 1;

(52) **U.S. Cl.**

USPC **D23/308**

FIG. 6 is a top view of the undermount sink basin according to FIG. 1; and,

(58) **Field of Classification Search**

USPC D23/284, 286–287, 290, 292, 293.1, 308

CPC A47K 1/04; A47B 77/06

See application file for complete search history.

FIG. 7 is a bottom side view of the undermount sink basin according to FIG. 1.

(56) **References Cited**

The broken lines shown in the drawings form no part of the claimed design. The boundary lines shown in the drawings depict an edge of the claimed subject matter. The surface shading illustrated in the drawings is provided merely to highlight the contour of the design and is not part of the claimed design. All surfaces not shown form no part of the claimed design.

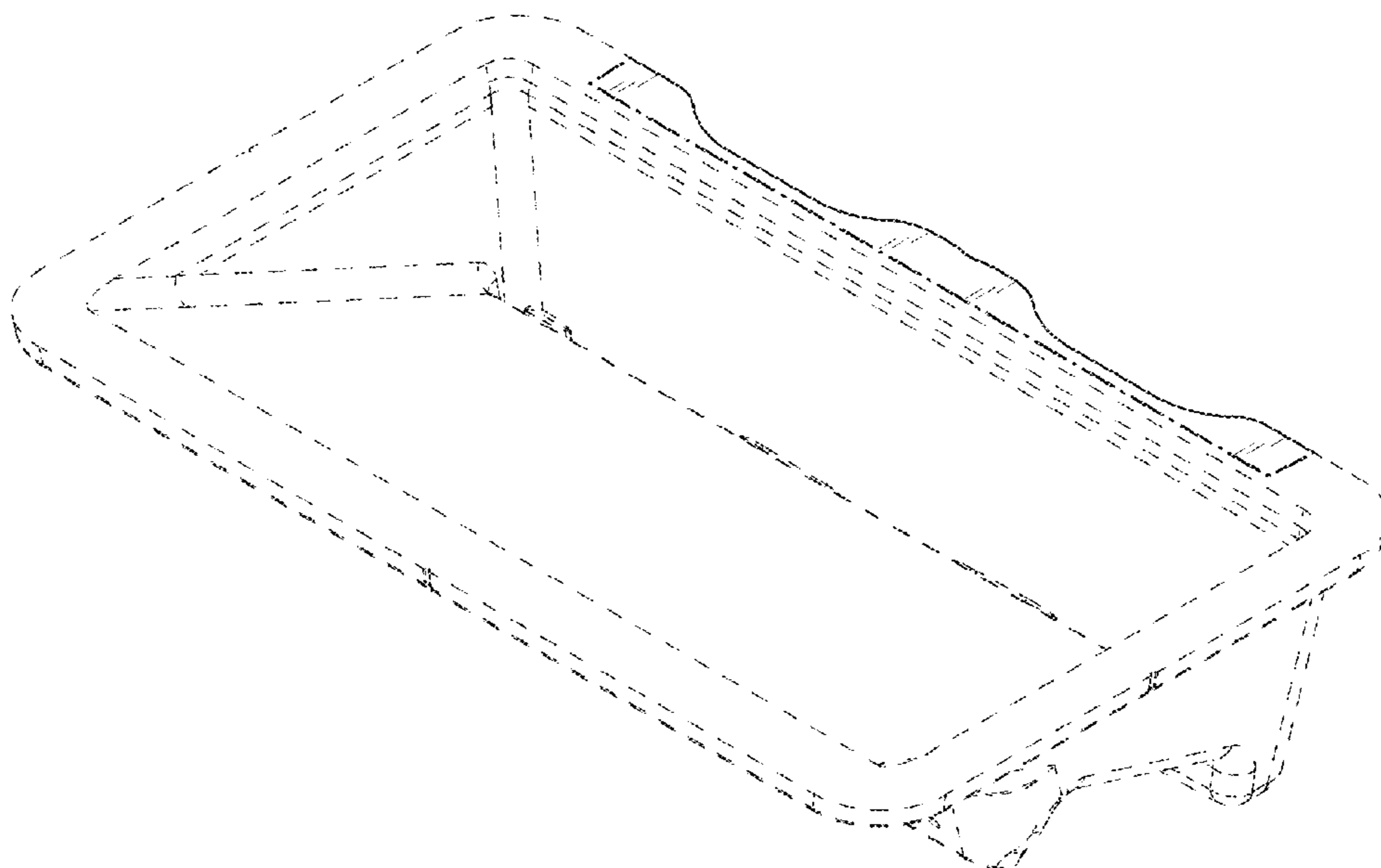
U.S. PATENT DOCUMENTS

D912,785 S * 3/2021 Davis D23/284
2021/0123222 A1 * 4/2021 Danielsson Spogardh
E03C 1/14

* cited by examiner

Primary Examiner — Robert A Delehanty

1 Claim, 6 Drawing Sheets



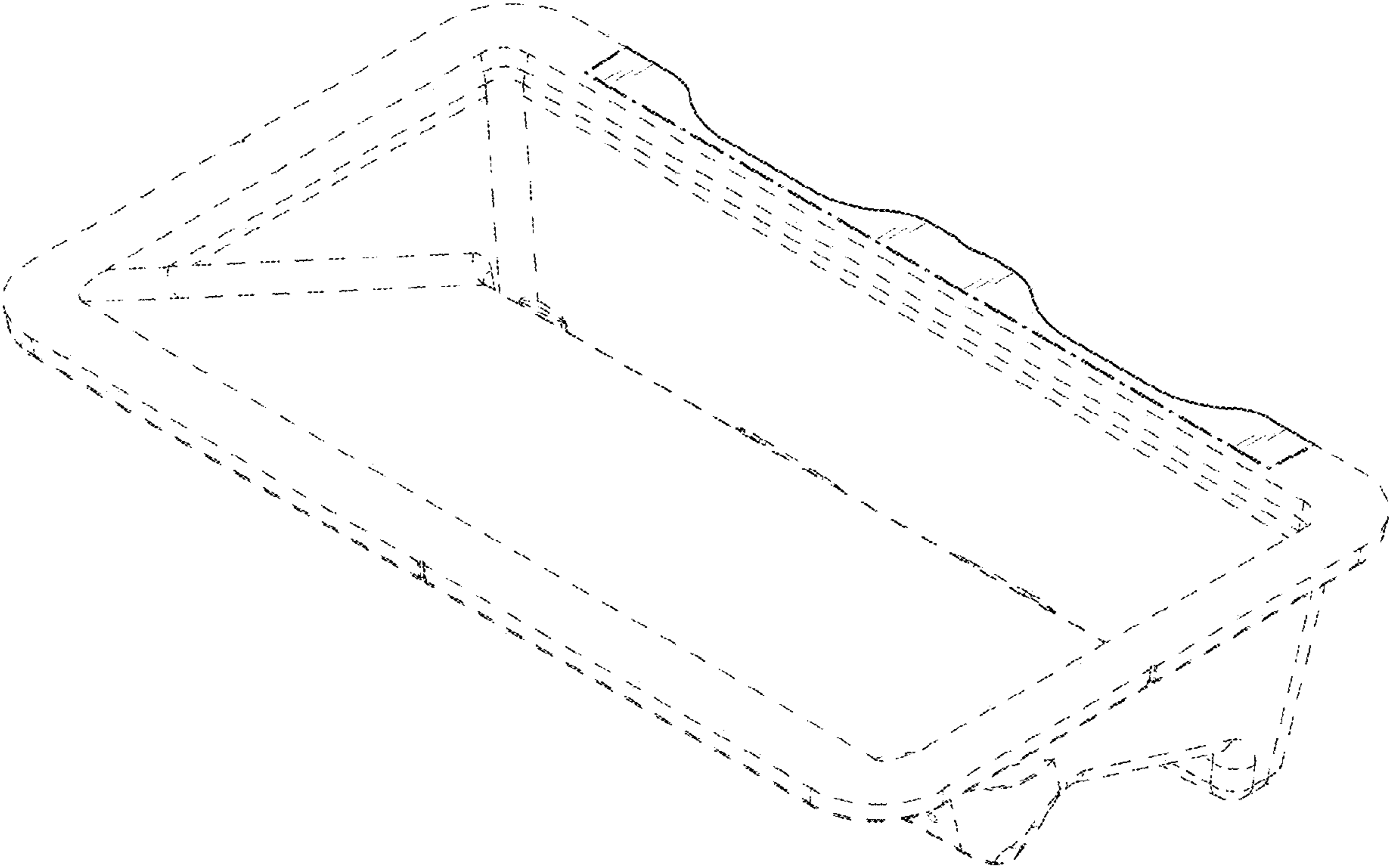


FIG. 1

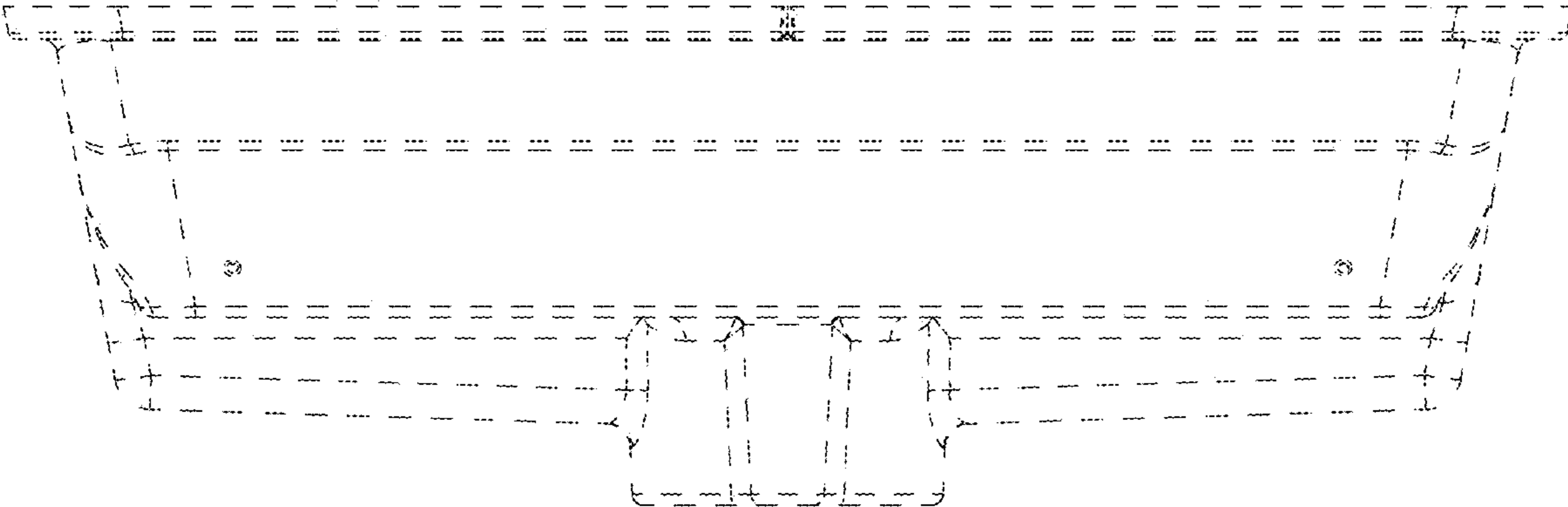


FIG. 2

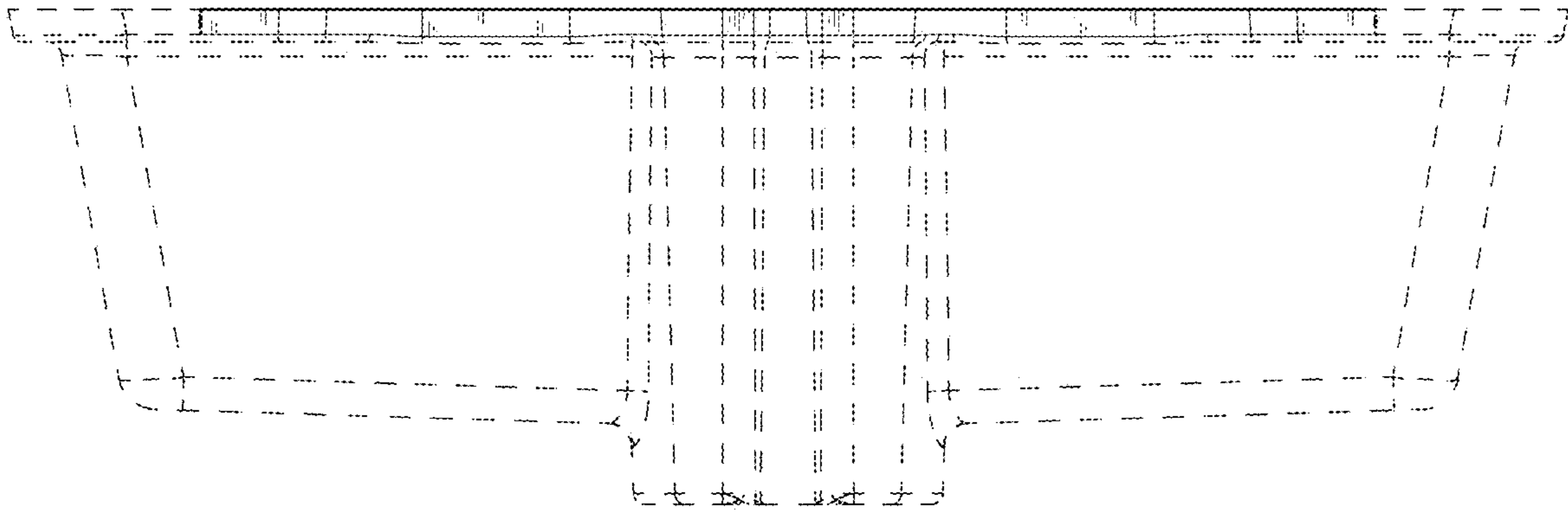


FIG. 3

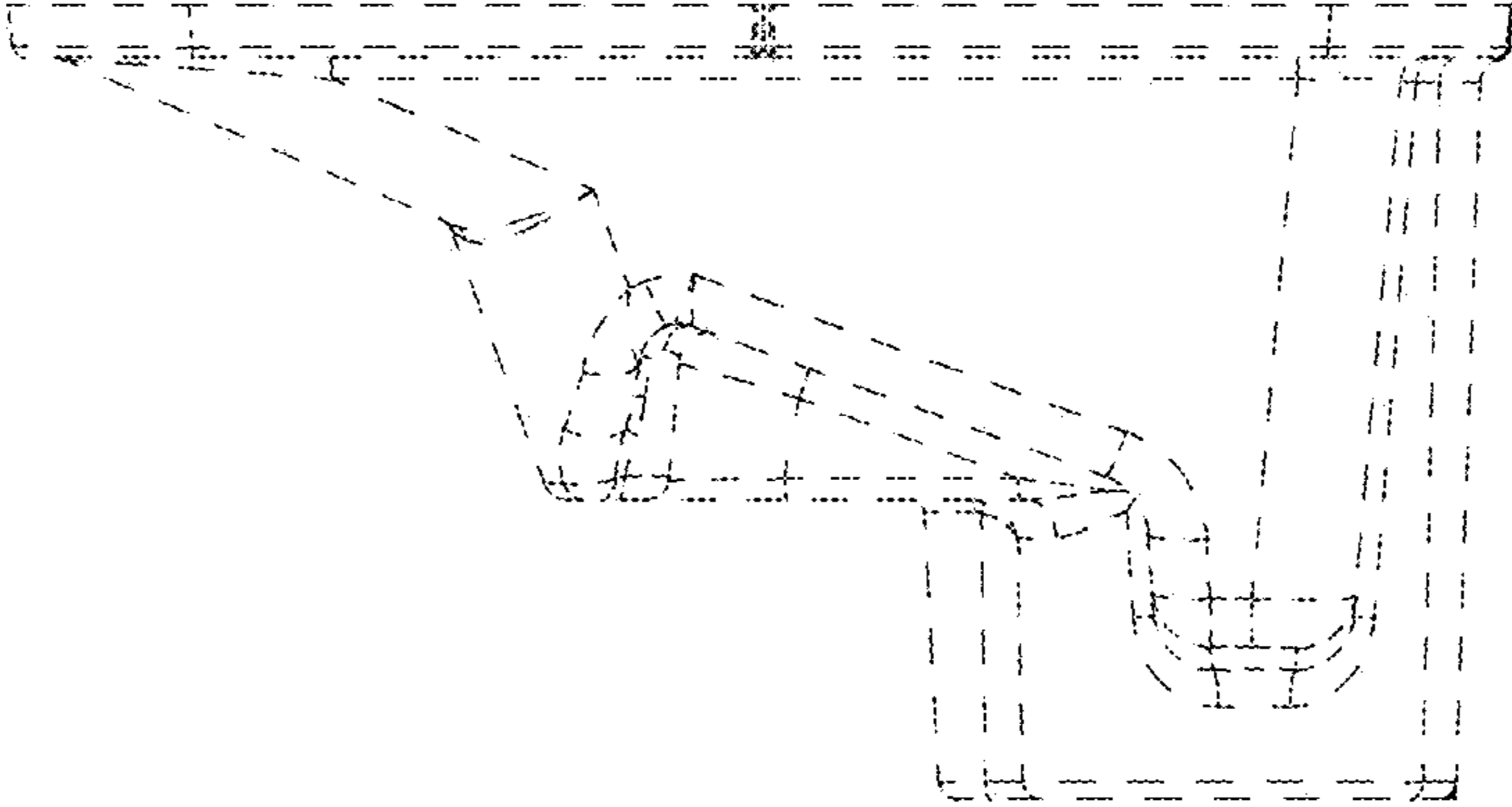


FIG. 4

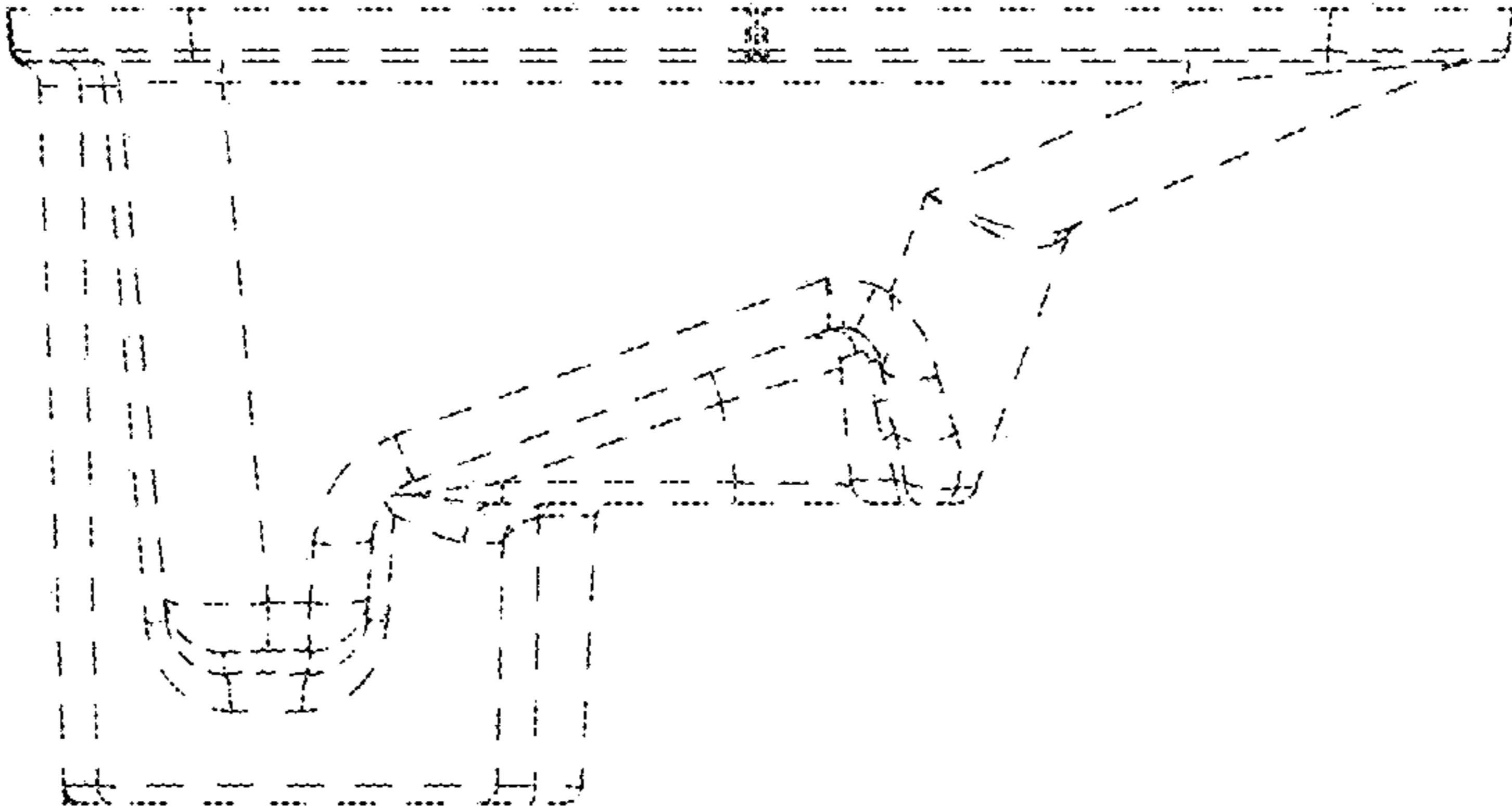


FIG. 5

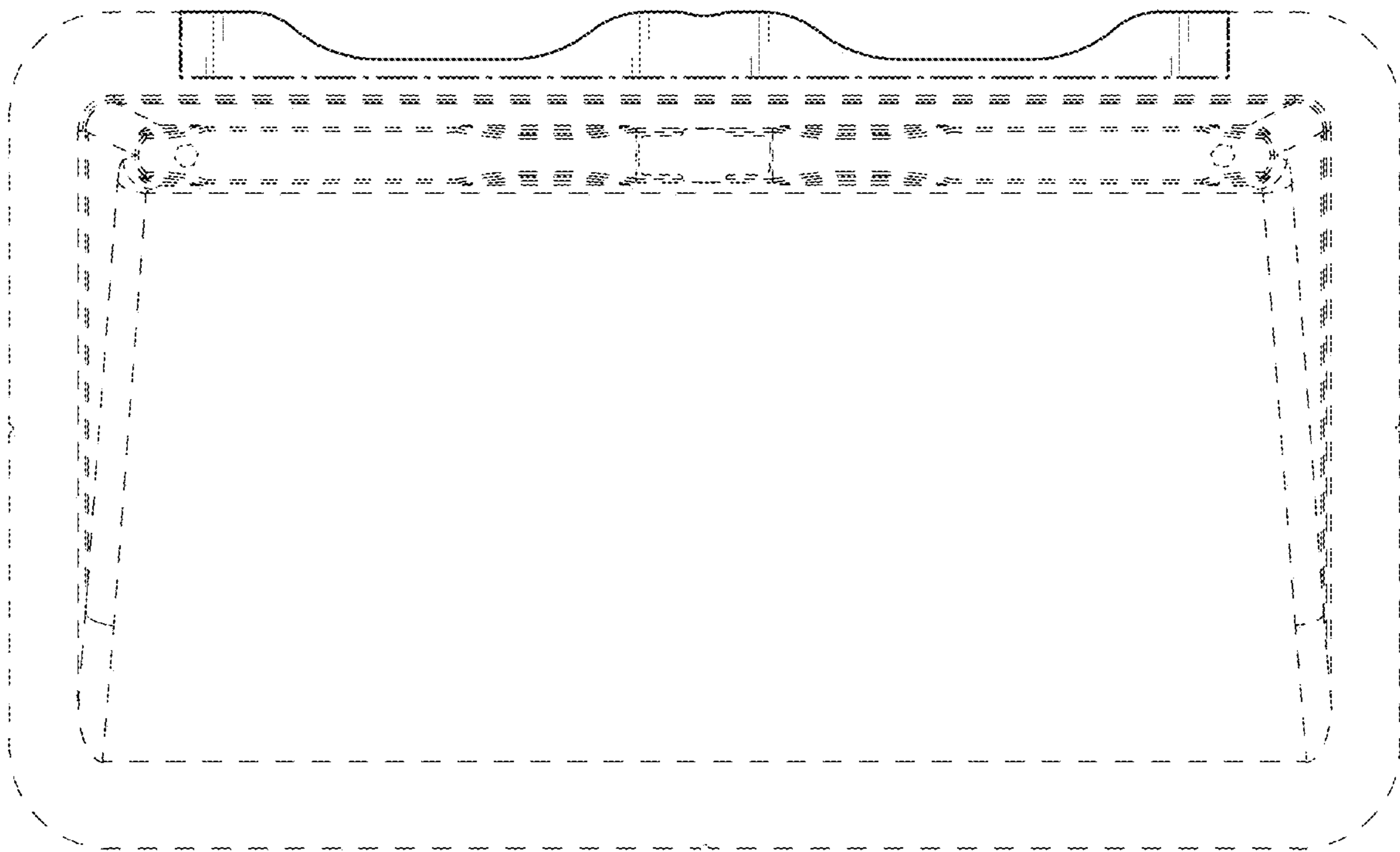


FIG. 6

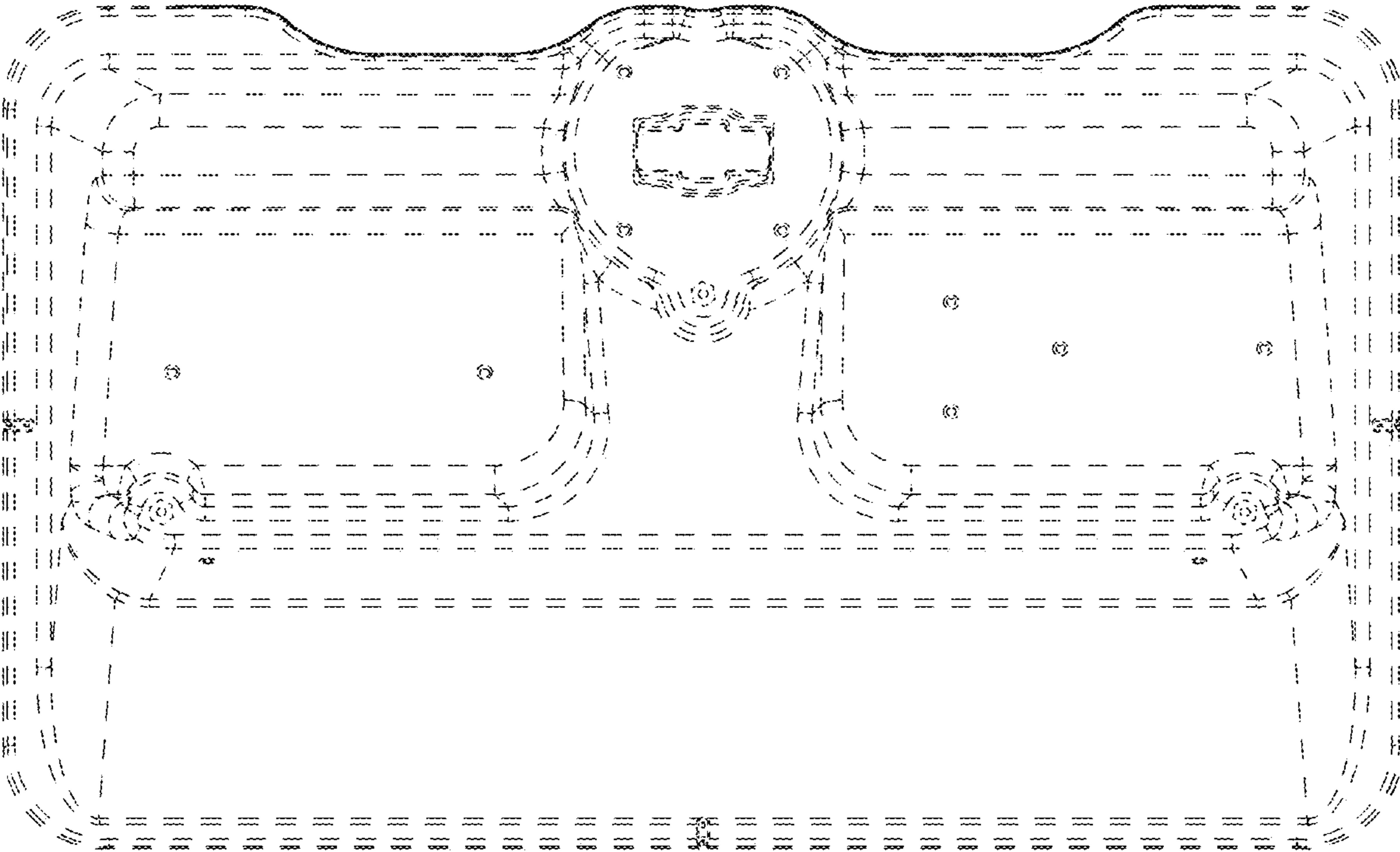


FIG. 7