



US00D963130S

(12) **United States Design Patent** (10) **Patent No.:** **US D963,130 S**
Sannito (45) **Date of Patent:** **** Sep. 6, 2022**

(54) **FAUCET SPOUT**
(71) Applicant: **DELTA FAUCET COMPANY,**
Indianapolis, IN (US)
(72) Inventor: **Connor Sannito,** Sturgeon Bay, WI
(US)
(73) Assignee: **DELTA FAUCET COMPANY,**
Indianapolis, IN (US)

D846,082 S * 4/2019 Eads D23/255
D848,573 S * 5/2019 Eads D23/238
D848,581 S * 5/2019 Fritz D23/255
D852,326 S * 6/2019 McKeone D23/242
D855,779 S * 8/2019 McKeone D23/255
D855,780 S * 8/2019 McKeone D23/255
D879,918 S * 3/2020 Fritz D23/255
D884,123 S * 5/2020 Eads D23/238

(Continued)

(**) Term: **15 Years**

CN 201930719579.0 * 12/2019
CN 202130340630.4 * 6/2021

(21) Appl. No.: **29/765,698**

OTHER PUBLICATIONS

(22) Filed: **Jan. 11, 2021**

(51) **LOC (13) Cl.** **23-01**

(52) **U.S. Cl.**
USPC **D23/255**

(58) **Field of Classification Search**
USPC D23/238, 239, 240, 241, 242, 243, 246,
D23/247, 248, 249, 250, 251, 252, 253,
D23/254, 255, 256, 257
CPC E03C 1/00; E03C 1/01; E03C 1/02; E03C
1/023; E03C 1/04; E03C 1/0401; E03C
1/0403; E03C 1/0404; E03C 1/0412;
E03C 1/05; E03C 1/042; F16K 31/60
See application file for complete search history.

Amazon, G0000D Faucet Widespread Basin Faucet Black, posted
May 18, 2020, [online], [visited May 12, 2022]. Internet, <URL:
<https://www.amazon.co.uk/G0000D-Faucet-Widespread-Bathroom-Geometric-Shipping/dp/B08BKGBVHJ/ref>> (Year: 2020).*

(Continued)

Primary Examiner — Samantha Wood
(74) *Attorney, Agent, or Firm* — Nirav D. Parikh; Jeffrey
L. Doyle

(57) **CLAIM**

The ornamental design for a faucet spout, as shown and
described.

(56) **References Cited**

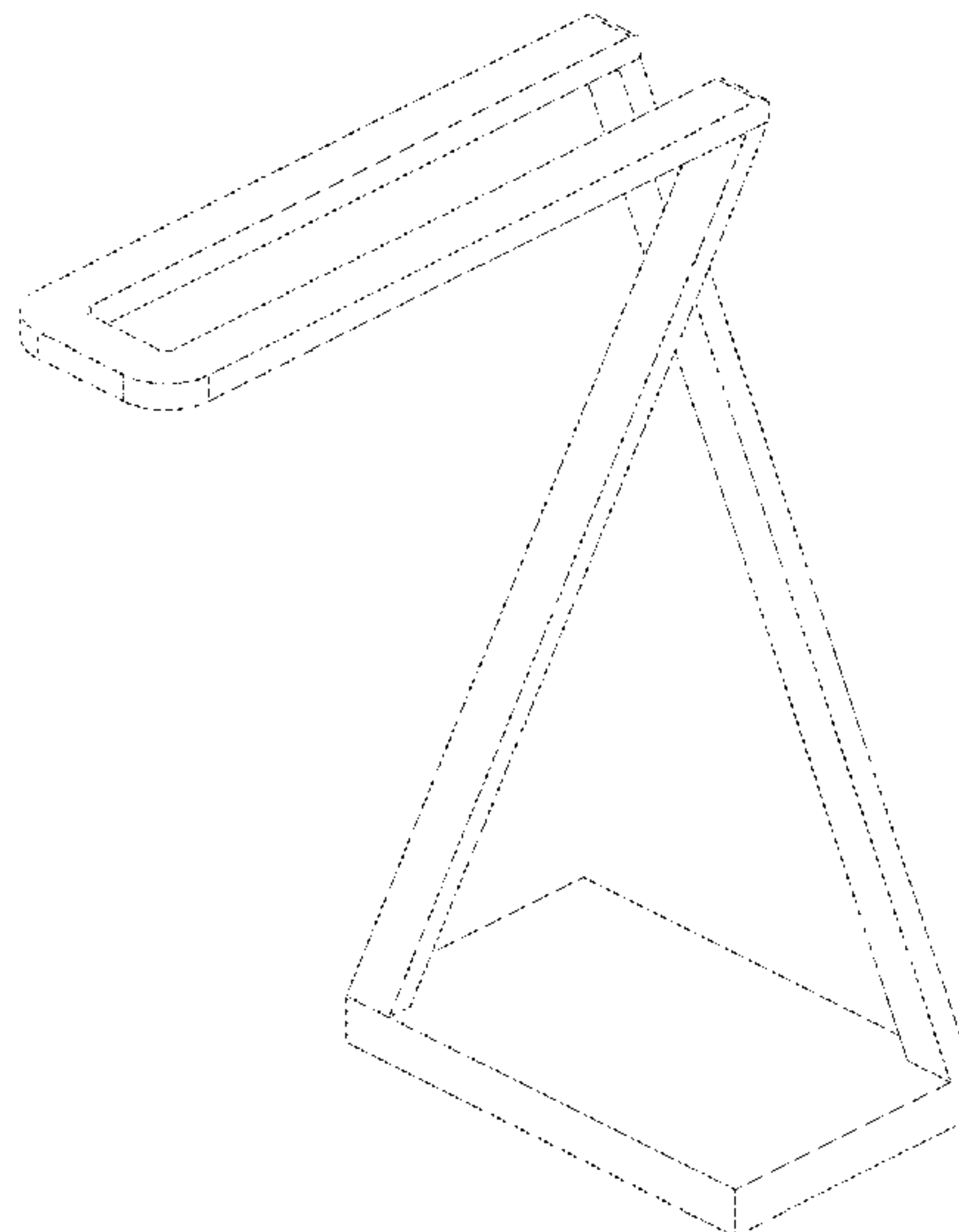
DESCRIPTION

U.S. PATENT DOCUMENTS

D294,631 S * 3/1988 Bourbon D23/241
D304,225 S * 10/1989 Lathrop D23/257
D511,201 S * 11/2005 Kulig D23/238
D541,380 S * 4/2007 Kikuchi D23/238
D667,932 S * 9/2012 Kulig D23/238
8,573,257 B2 * 11/2013 Lin E03C 1/0404
239/592
D708,710 S * 7/2014 Yu D23/238
D708,711 S * 7/2014 Yu D23/238
D810,243 S * 2/2018 Schoenherr D23/242
D845,444 S * 4/2019 Eads D23/255

FIG. 1 is a front perspective view of a faucet spout showing
my new design;
FIG. 2 is a rear perspective view thereof;
FIG. 3 is a front elevational view thereof;
FIG. 4 is a left side view thereof;
FIG. 5 is a rear view thereof;
FIG. 6 is a right side view thereof;
FIG. 7 is a top plan view thereof; and,
FIG. 8 is a bottom view thereof.

1 Claim, 4 Drawing Sheets



(56)

References Cited

U.S. PATENT DOCUMENTS

D895,070 S * 9/2020 Zhang D23/238
D895,071 S * 9/2020 Zhang D23/238
D898,166 S * 10/2020 Eads D23/255
D923,754 S * 6/2021 Seum D23/255
D946,124 S * 3/2022 Park D23/252
2019/0264825 A1 * 8/2019 Rosko E03C 1/048

OTHER PUBLICATIONS

Amazon, History Taps for Bathroom Basin Black, posted May 15, 2020, [online], [visited May 12, 2022]. Internet, <URL: <https://www.amazon.co.uk/Bathroom-Vanity-Faucets-Geometric-Kitchen/dp/B088NY4ZL7/ref>> (Year: 2020).*

* cited by examiner

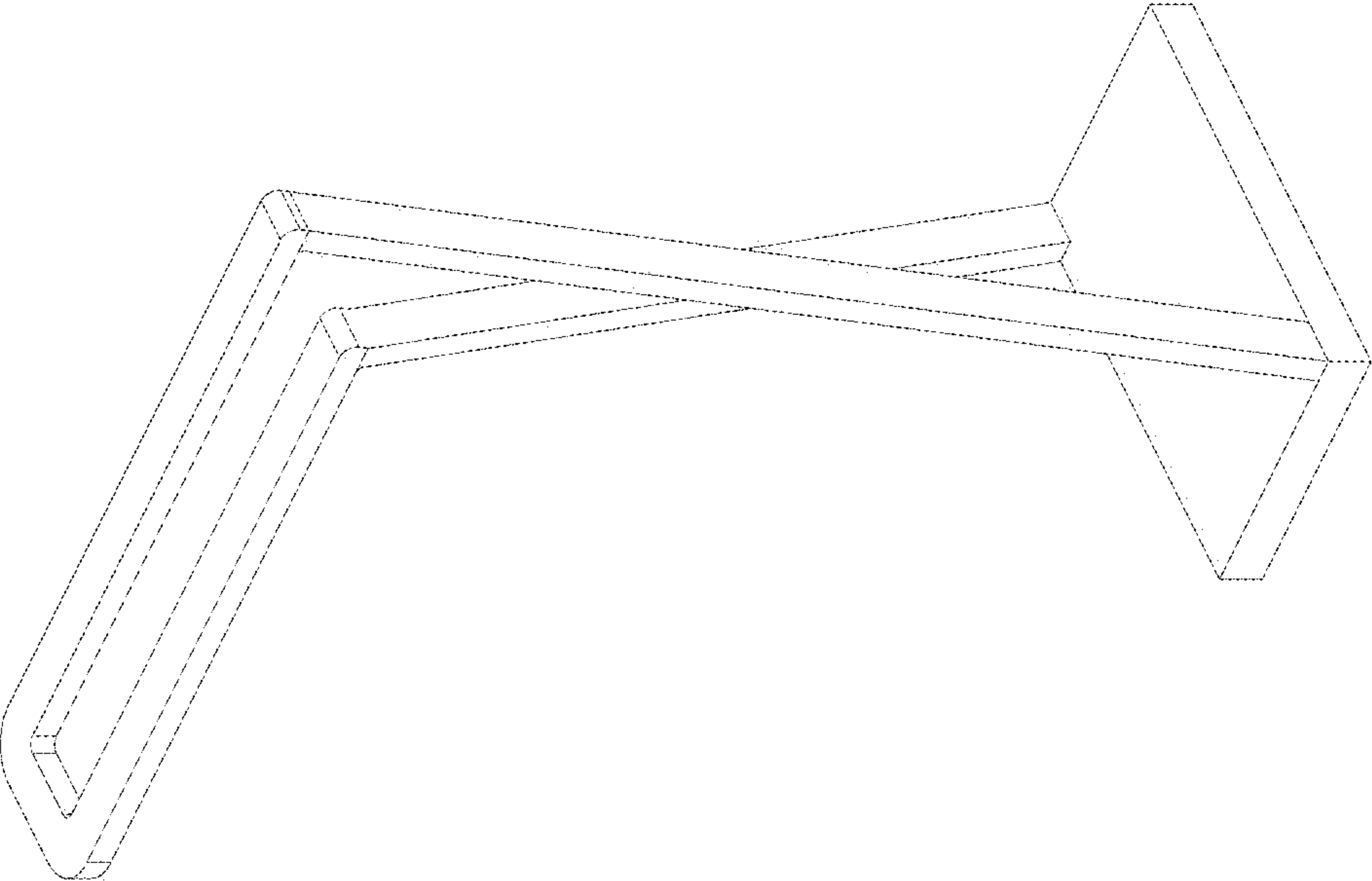


FIG - 2

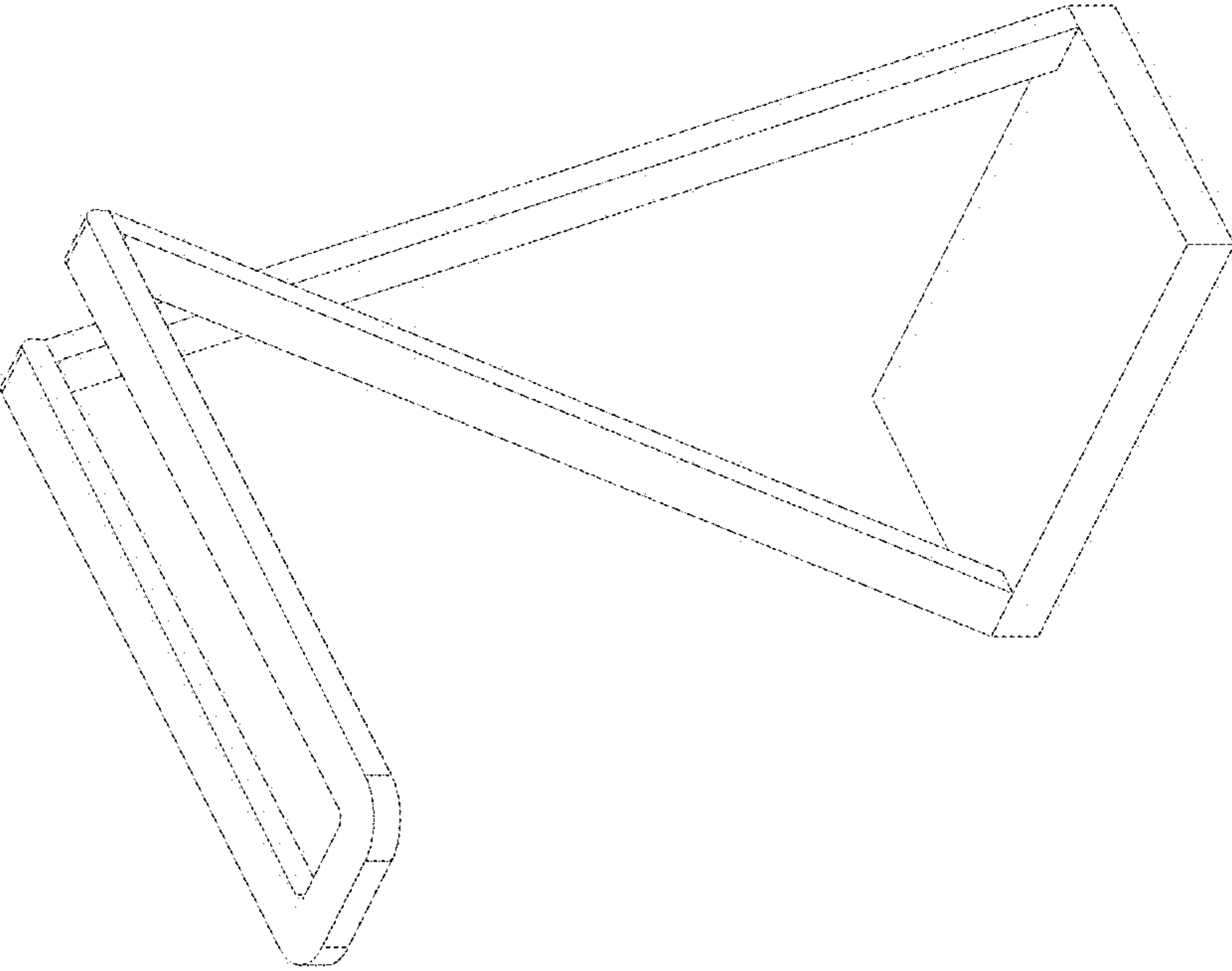


FIG - 1

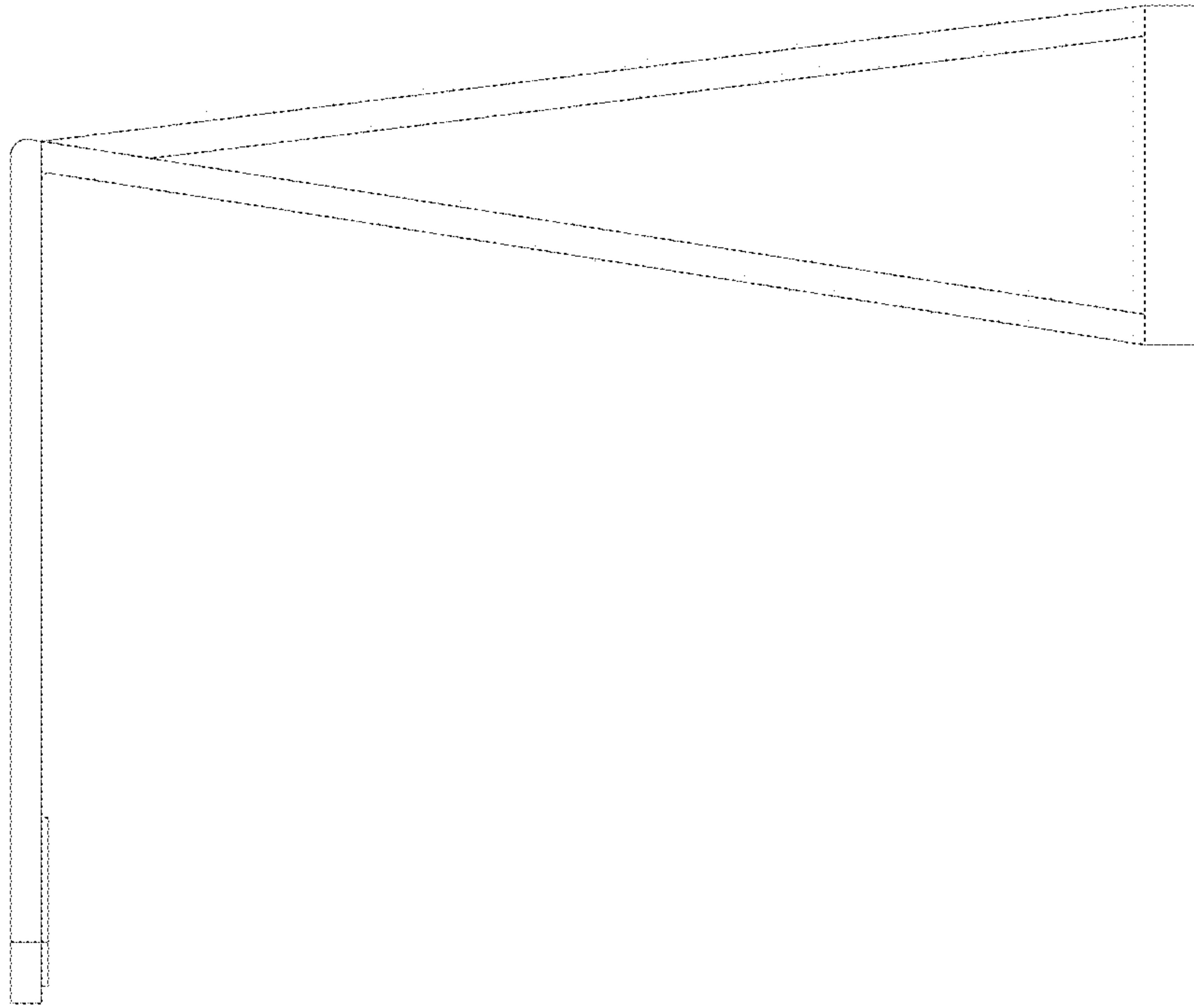


FIG - 4

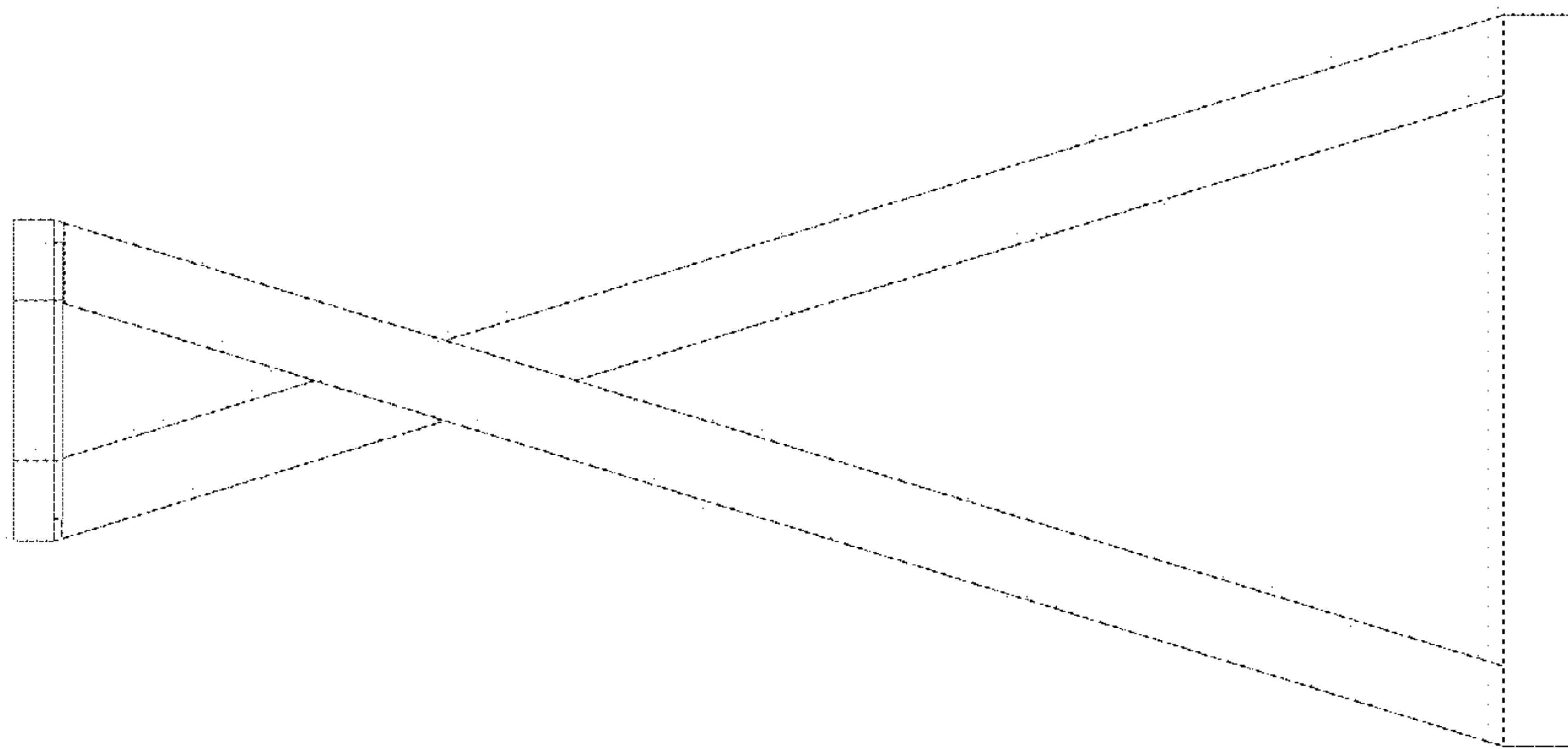


FIG - 3

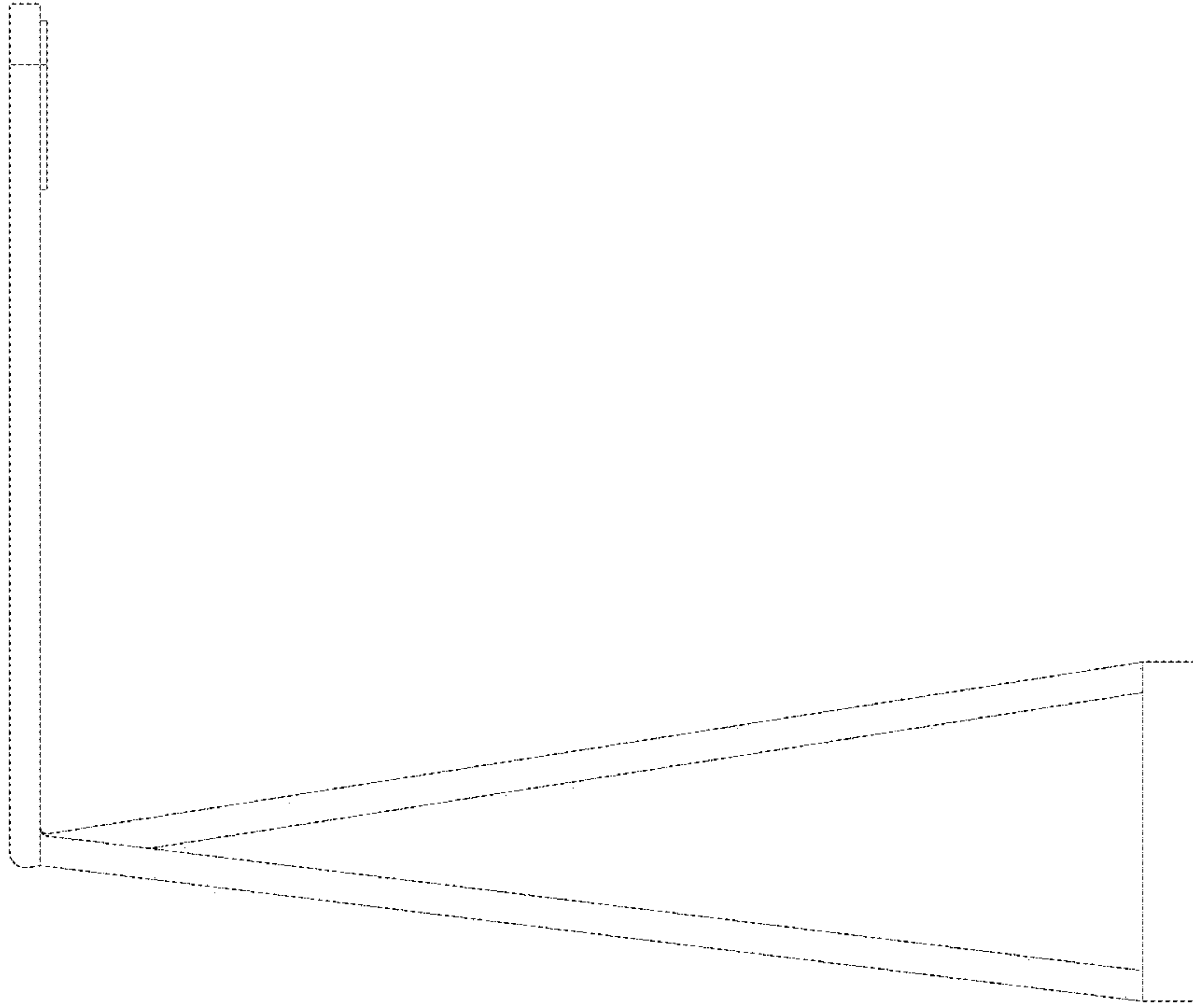


FIG - 6

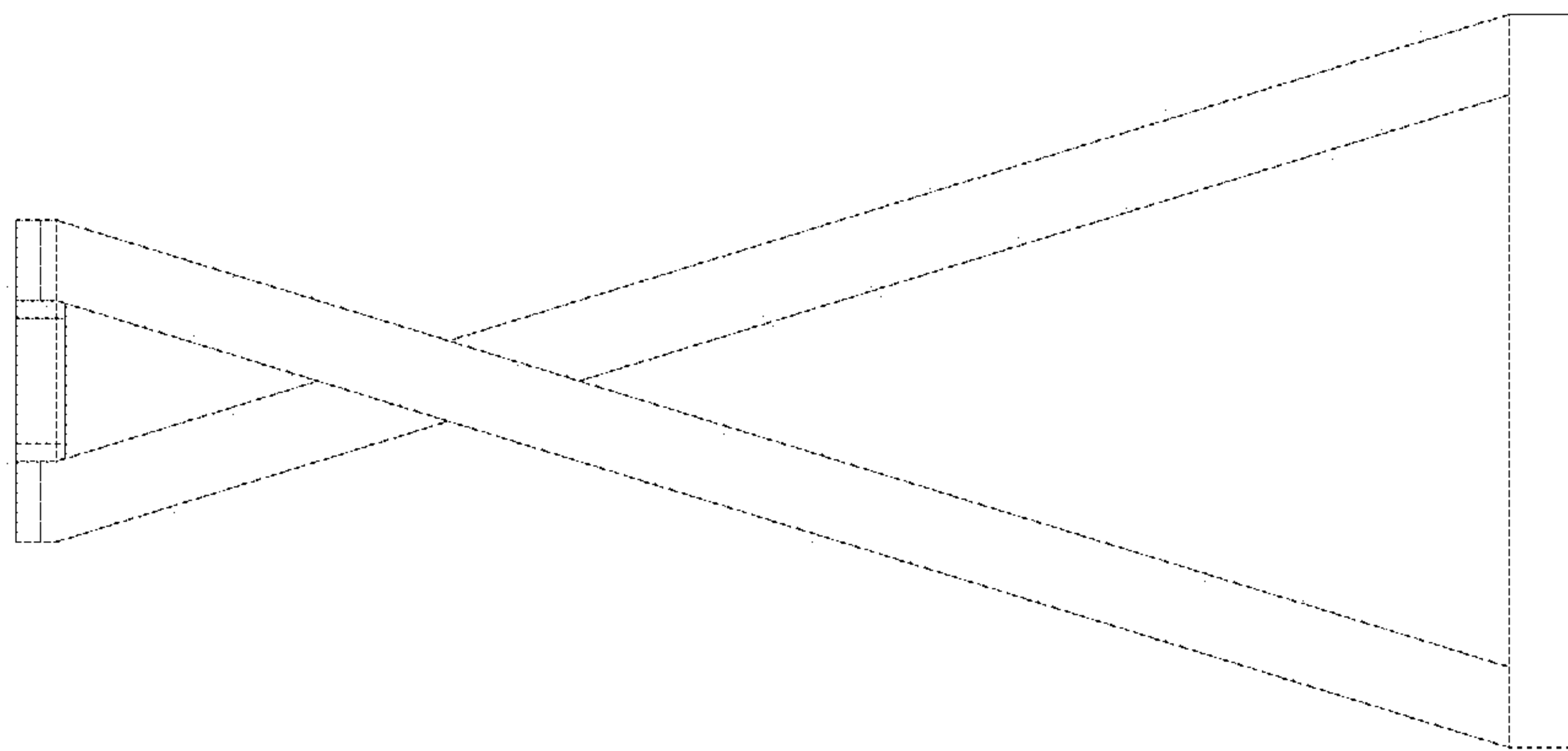


FIG - 5

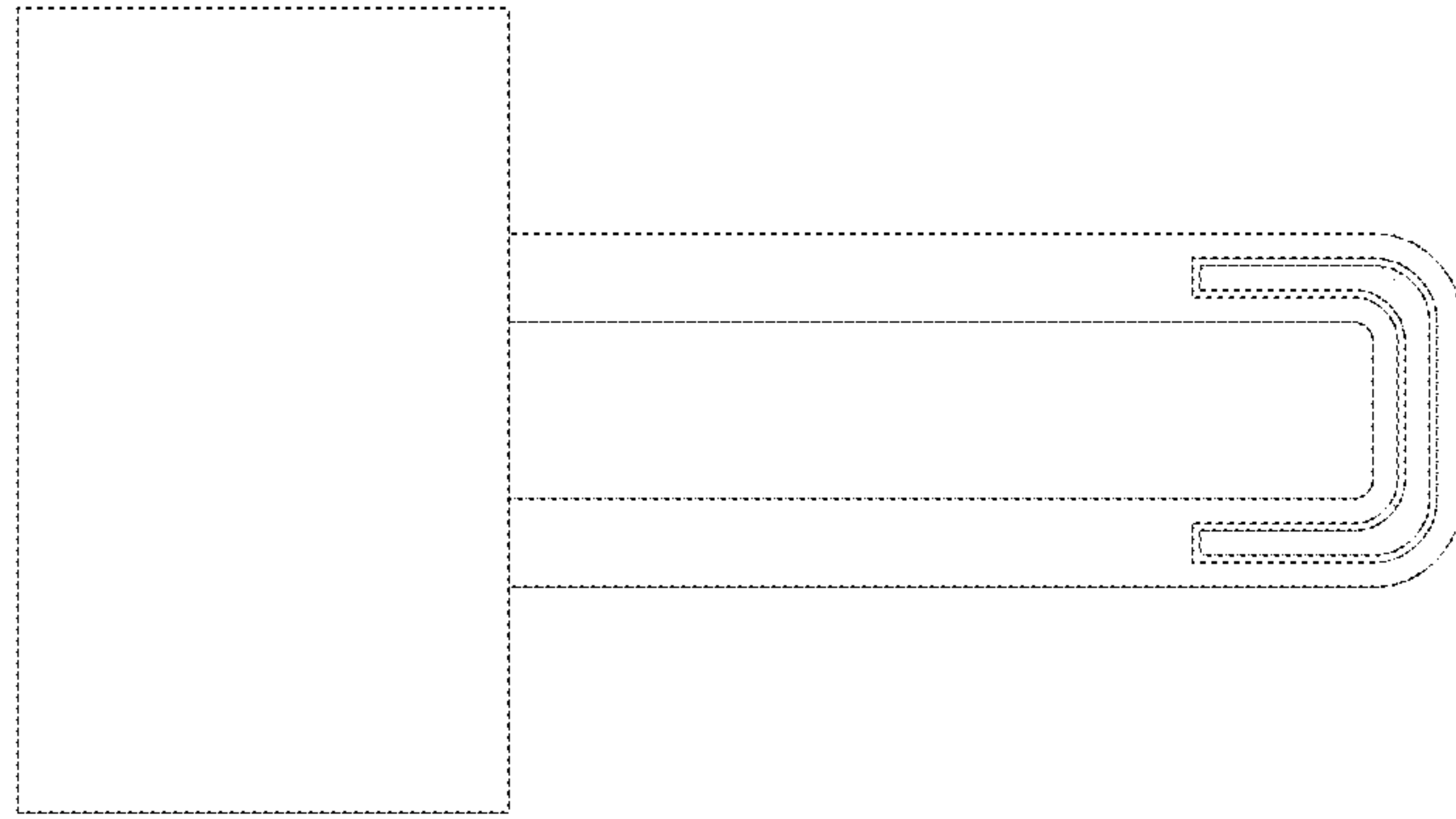


FIG - 8

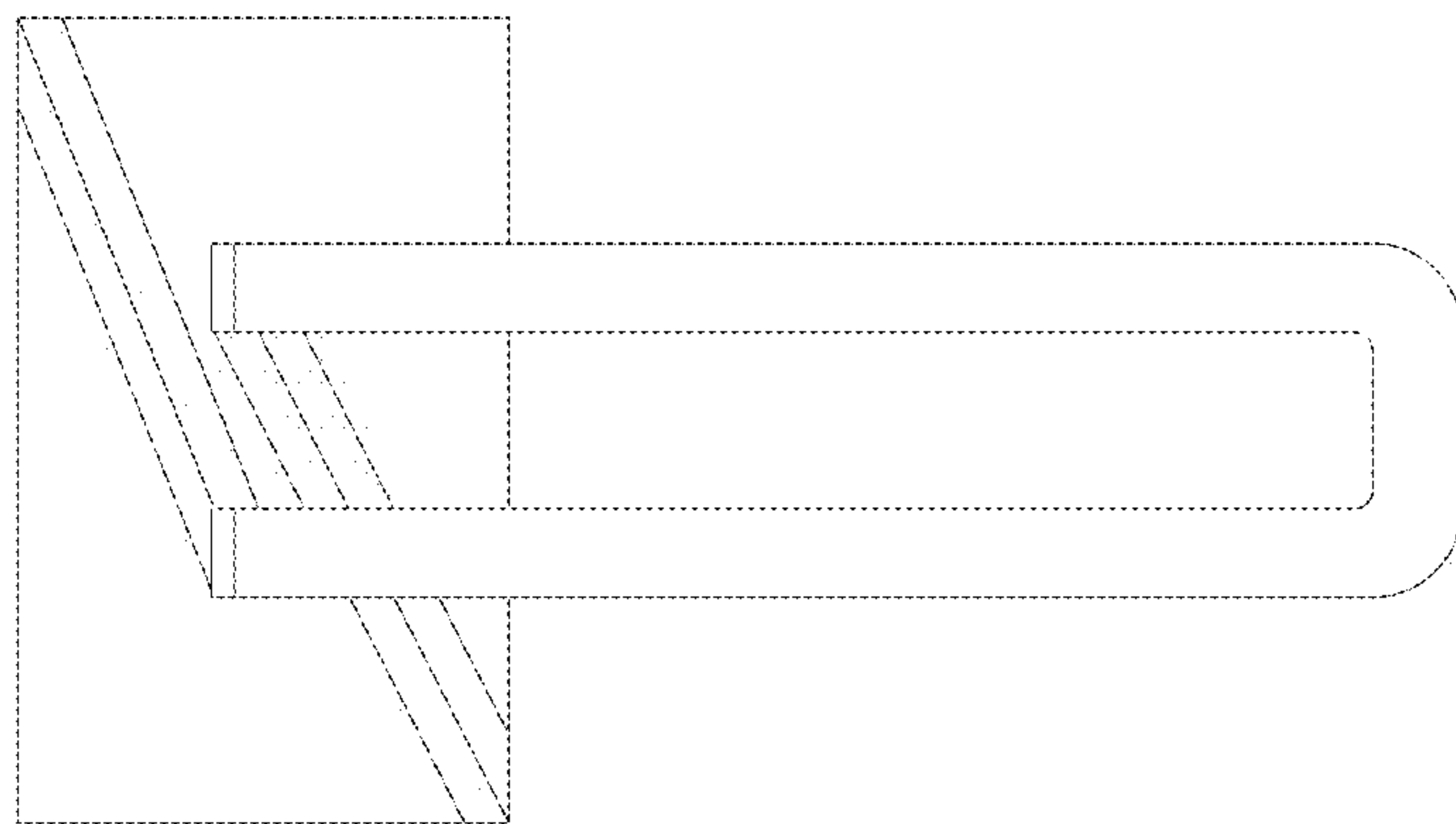


FIG - 7