



US00D963129S

(12) **United States Design Patent** (10) **Patent No.:** **US D963,129 S**  
**Johnson** (45) **Date of Patent:** **\*\* Sep. 6, 2022**

(54) **PLUMBING FIXTURE**  
(71) Applicant: **Kohler Co.**, Kohler, WI (US)  
(72) Inventor: **Drew Johnson**, Sheboygan, WI (US)  
(73) Assignee: **KOHLER CO.**, Kohler, WI (US)  
(\*\*) Term: **15 Years**  
(21) Appl. No.: **29/731,192**  
(22) Filed: **Apr. 13, 2020**  
(51) **LOC (13) Cl.** ..... **23-01**  
(52) **U.S. Cl.**  
USPC ..... **D23/255**  
(58) **Field of Classification Search**  
USPC ..... D23/238, 239, 240, 241, 242, 243, 246,  
D23/247, 248, 249, 250, 251, 252, 253,  
D23/254, 255, 256, 257  
(Continued)

(56) **References Cited**  
**U.S. PATENT DOCUMENTS**  
D417,262 S 11/1999 Caplow  
D488,539 S 4/2004 McKeone  
(Continued)

**FOREIGN PATENT DOCUMENTS**  
CN 201630027047 \* 1/2016  
CN 201630496738 \* 10/2016  
(Continued)

**OTHER PUBLICATIONS**  
Amazon, Eridanus Bathroom Vanity Faucet, posted Jun. 12, 2018, [online], [visited Feb. 18, 2022]. Internet, <URL: <https://www.amazon.co.uk/ERIDANUS-Bathroom-Vanity-Lavatory-Polished/dp/B07D726B6X/ref?th=1>> (Year: 2018).\*  
(Continued)

*Primary Examiner* — Samantha Wood

(74) *Attorney, Agent, or Firm* — Foley & Lardner LLP

(57) **CLAIM**

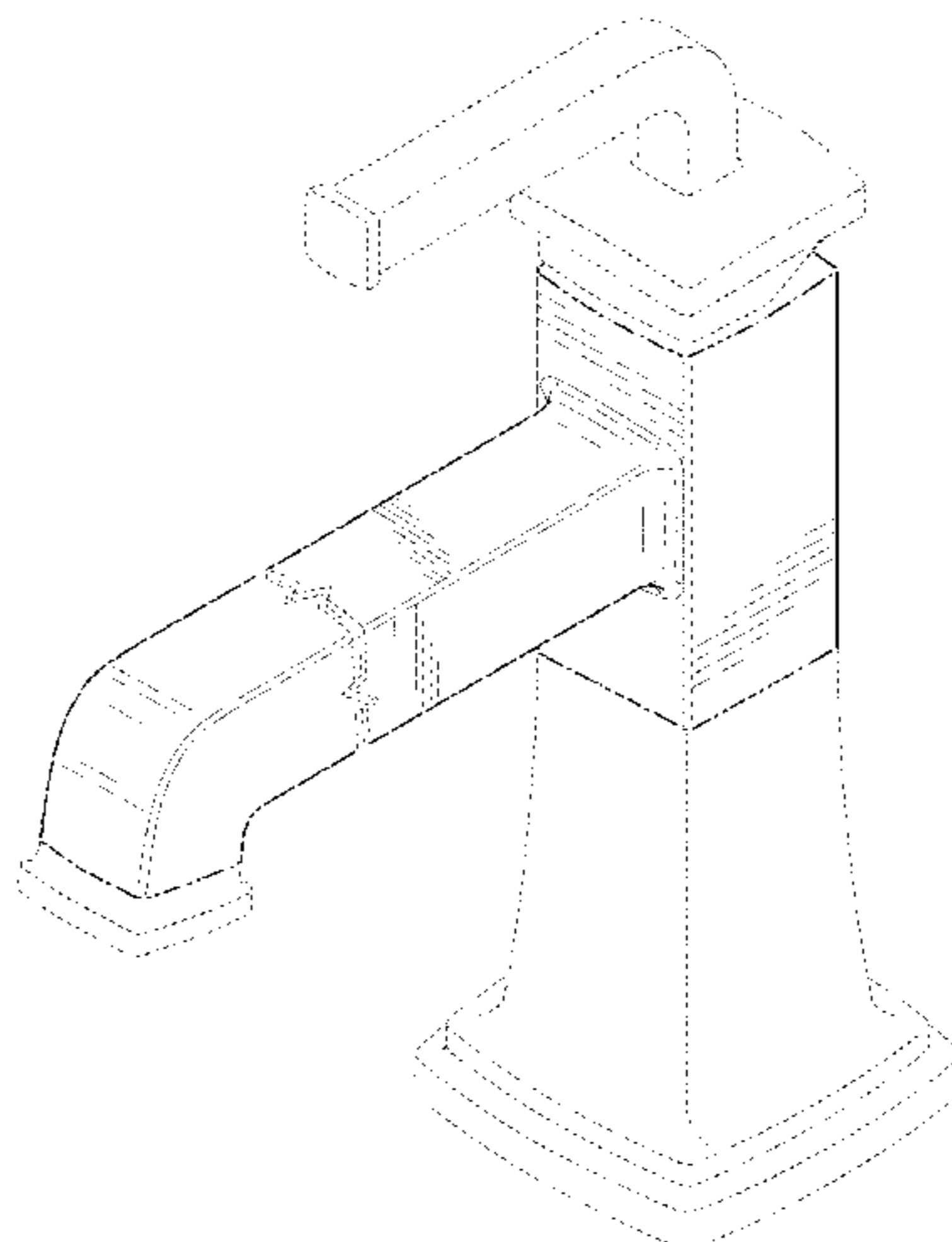
I claim the ornamental design for a plumbing fixture, as shown and described.

**DESCRIPTION**

FIG. 1 is a perspective view of an embodiment of the claimed design;  
FIG. 2 is a front view of the claimed design shown in FIG. 1;  
FIG. 3 is a rear view of the claimed design shown in FIG. 1;  
FIG. 4 is a side view of the claimed design shown in FIG. 1;  
FIG. 5 is another side view of the claimed design shown in FIG. 1;  
FIG. 6 is a top view of the claimed design shown in FIG. 1;  
FIG. 7 is a bottom view of the claimed design shown in FIG. 1;  
FIG. 8 is a perspective view of another embodiment of the claimed design;  
FIG. 9 is a front view of the claimed design shown in FIG. 8;  
FIG. 10 is a rear view of the claimed design shown in FIG. 8;  
FIG. 11 is a side view of the claimed design shown in FIG. 8;  
FIG. 12 is another side view of the claimed design shown in FIG. 8;  
FIG. 13 is a top view of the claimed design shown in FIG. 8; and,  
FIG. 14 is a bottom view of the claimed design shown in FIG. 8.

The ornamental design that is claimed is shown in the drawings as solid lines and surfaces having surface shading. The broken lines are included for the purpose of illustrating portions of the article and form no part of the claimed design. Broken lines formed of unequal length dashes (i.e., dash-dot) show boundaries between either claimed and unclaimed portions of the design or between unclaimed and unclaimed portions of the design. Break lines having a jagged element are not part of the claimed design and show

(Continued)



unspecified lengths of the portion are possible. The appearance of any portion of the article between the break lines forms no part of the claimed design.

**1 Claim, 10 Drawing Sheets**

(58) **Field of Classification Search**

CPC . E03C 1/01; E03C 1/0409; E03C 1/04; E03C 1/0401; E03C 1/025; E03C 1/0408; E03C 1/0402; E03C 1/0405; E03C 1/0412; Y10T 137/5339; Y10T 137/6014; Y10T 137/6021

See application file for complete search history.

(56) **References Cited**

U.S. PATENT DOCUMENTS

D489,432	S	*	5/2004	Lammel	.....	D23/255
D496,717	S	*	9/2004	Svendsen	.....	D23/257
D497,198	S	*	10/2004	Painter	.....	D23/255
D517,651	S	*	3/2006	Theberge	.....	D23/238
D518,557	S	*	4/2006	Thun	.....	D23/238
D530,793	S		10/2006	Sutopo		
D535,723	S	*	1/2007	Veltz	.....	D23/238
D552,216	S	*	10/2007	Haug	.....	D23/252
D566,245	S	*	4/2008	Dolan	.....	D23/255
D581,017	S	*	11/2008	Gessi	.....	D23/238
D581,496	S	*	11/2008	Dolan	.....	D23/255
D600,320	S	*	9/2009	Miyamoto	.....	D23/238
D615,627	S	*	5/2010	Sofield	.....	D23/252
D636,463	S	*	4/2011	Kulig	.....	D23/238
D636,853	S	*	4/2011	Yu	.....	D23/238
D646,757	S	*	10/2011	Gessi	.....	D23/238
D648,003	S	*	11/2011	Gao	.....	D23/255
D666,277	S	*	8/2012	Schaefer	.....	D23/252
D682,395	S	*	5/2013	Mendoza	.....	D23/238

D692,990	S	*	11/2013	Flowers	.....	D23/255
D693,906	S	*	11/2013	Zhang	.....	D23/238
D733,259	S	*	6/2015	Flowers	.....	D23/238
D735,298	S	*	7/2015	Eads	.....	D23/238
D771,467	S	*	11/2016	McKeone	.....	D23/252
D796,643	S	*	9/2017	Downey	.....	D23/255
D797,244	S	*	9/2017	Kulig	.....	D23/238
D797,257	S	*	9/2017	Potter	.....	D23/255
D797,892	S	*	9/2017	Fritz	.....	D23/238
D803,361	S	*	11/2017	Downey	.....	D23/257
D804,615	S	*	12/2017	Seum	.....	D23/238
D804,616	S	*	12/2017	Flowers	.....	D23/238
D805,163	S	*	12/2017	Schoenherr	.....	D23/238
D810,236	S	*	2/2018	Schoenherr	.....	D23/238
D862,648	S	*	10/2019	Zeng	.....	D23/238
D864,356	S	*	10/2019	Zhang	.....	D23/238
D867,527	S	*	11/2019	Eads	.....	D23/213
D895,066	S	*	9/2020	Johnson	.....	D23/238
D895,067	S	*	9/2020	Johnson	.....	D23/238
D895,068	S	*	9/2020	Johnson	.....	D23/238
D895,073	S	*	9/2020	Johnson	.....	D23/255
D900,968	S	*	11/2020	Garland	.....	D23/238
D907,745	S	*	1/2021	Stoler	.....	D23/252
D923,149	S	*	6/2021	Johnson	.....	D23/238
D924,362	S	*	7/2021	Zhu	.....	D23/238
D930,791	S	*	9/2021	Williams	.....	D23/238

FOREIGN PATENT DOCUMENTS

CN	201830169786	*	4/2018
CN	201830558170.0	*	10/2018

OTHER PUBLICATIONS

Amazon, HUAMOMDY Black Bathroom Basin Mixer Tap, posted Nov. 5, 2020, [online], [visited Feb. 22, 2022]. Internet, <URL: <https://www.amazon.co.uk/Bathroom-Counter-Single-Lavatory-Washroom/dp/B08MTH39J1/ref>> (Year: 2020).\*

\* cited by examiner

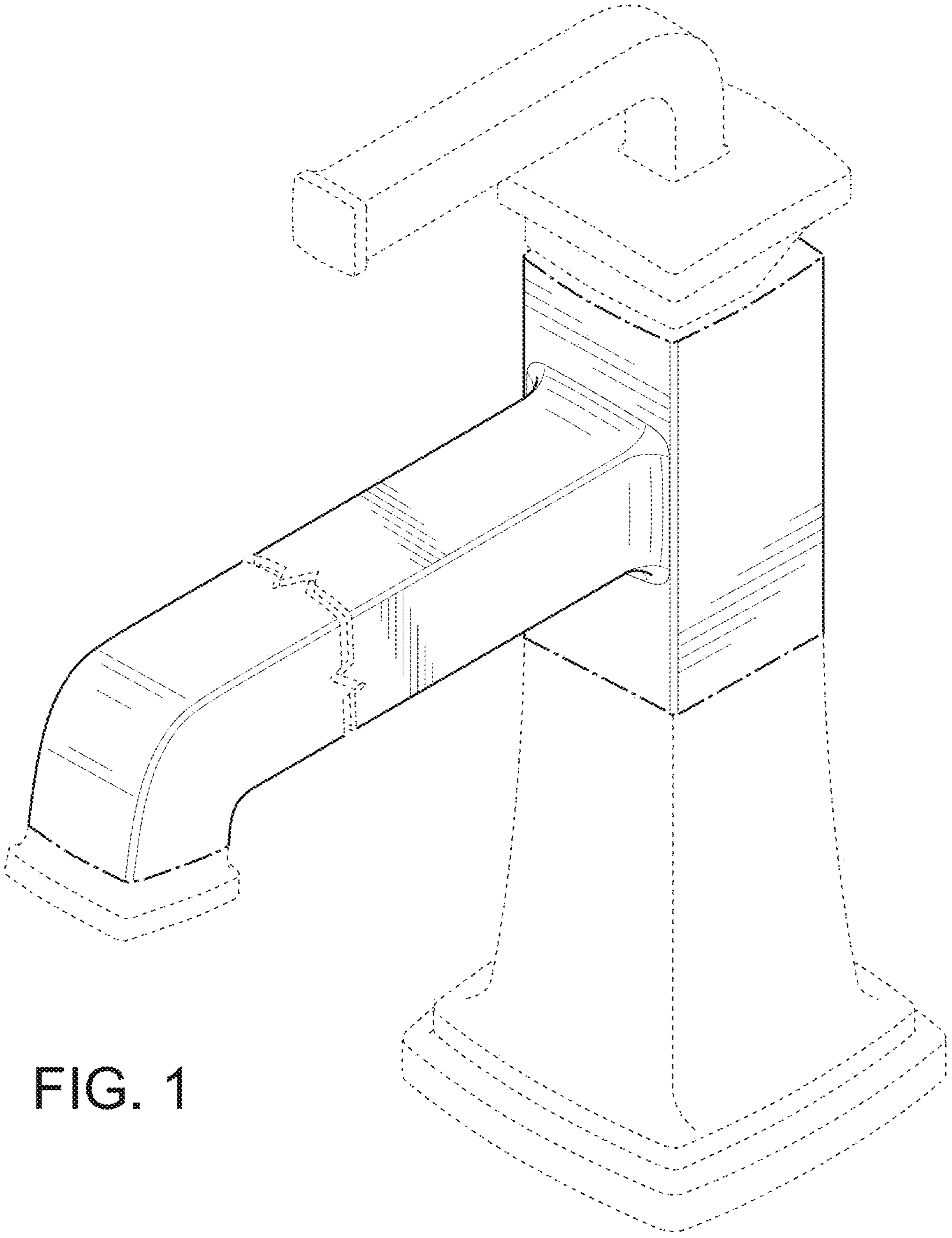


FIG. 1

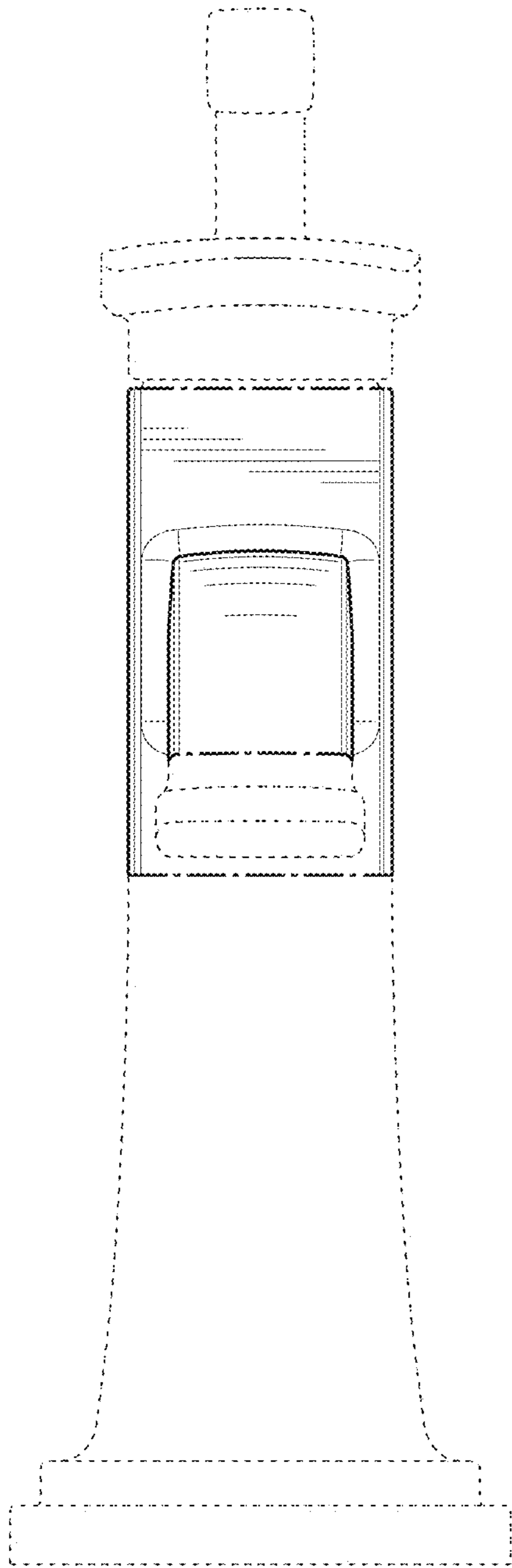


FIG. 2

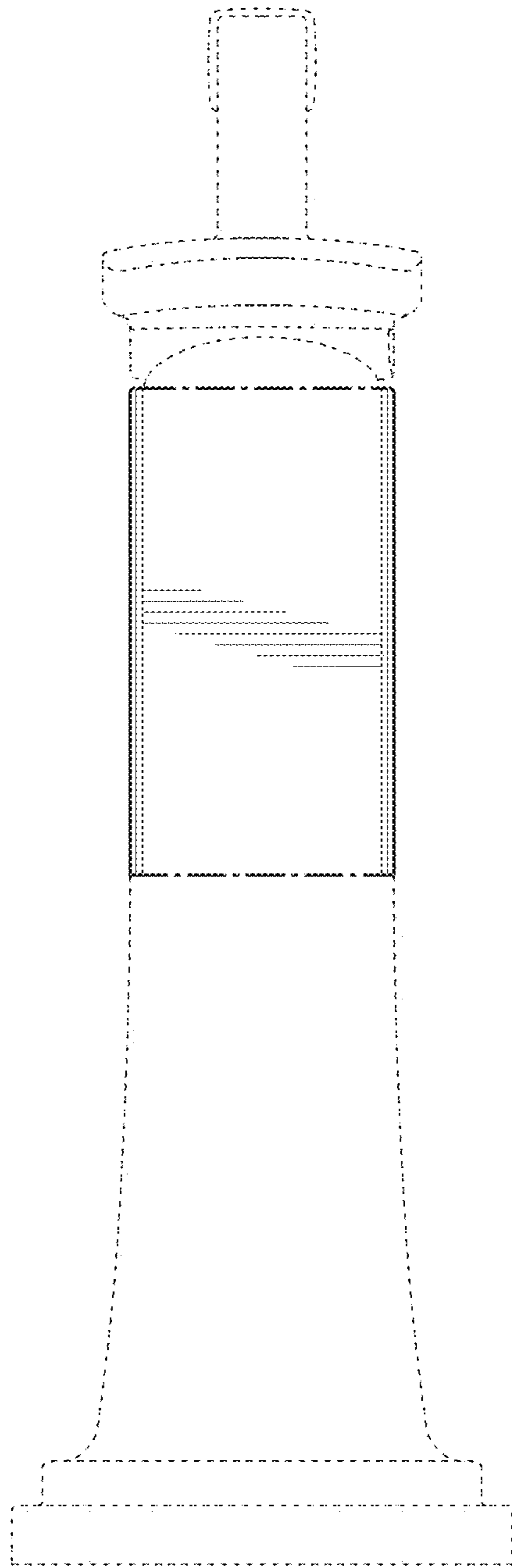


FIG. 3



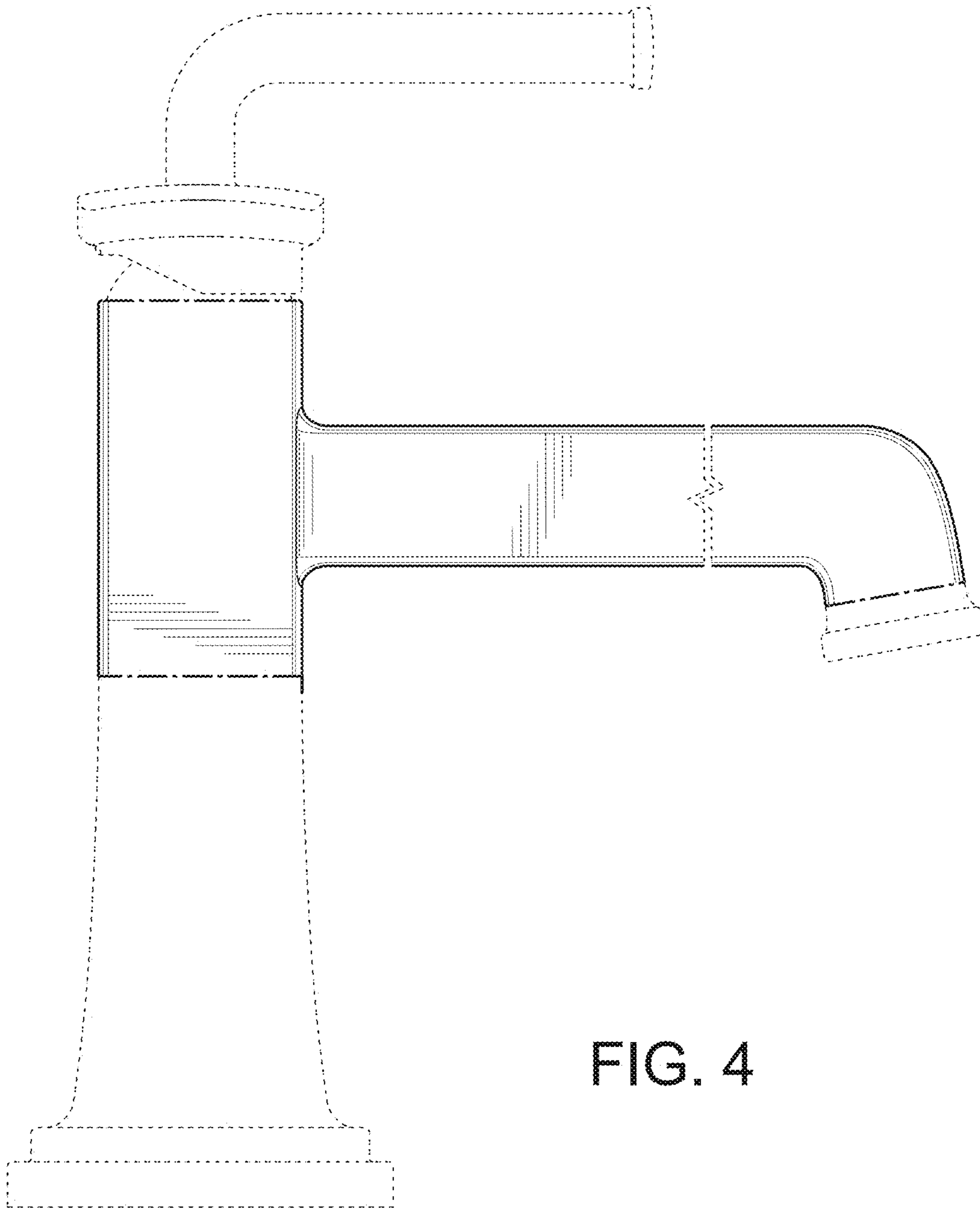


FIG. 4

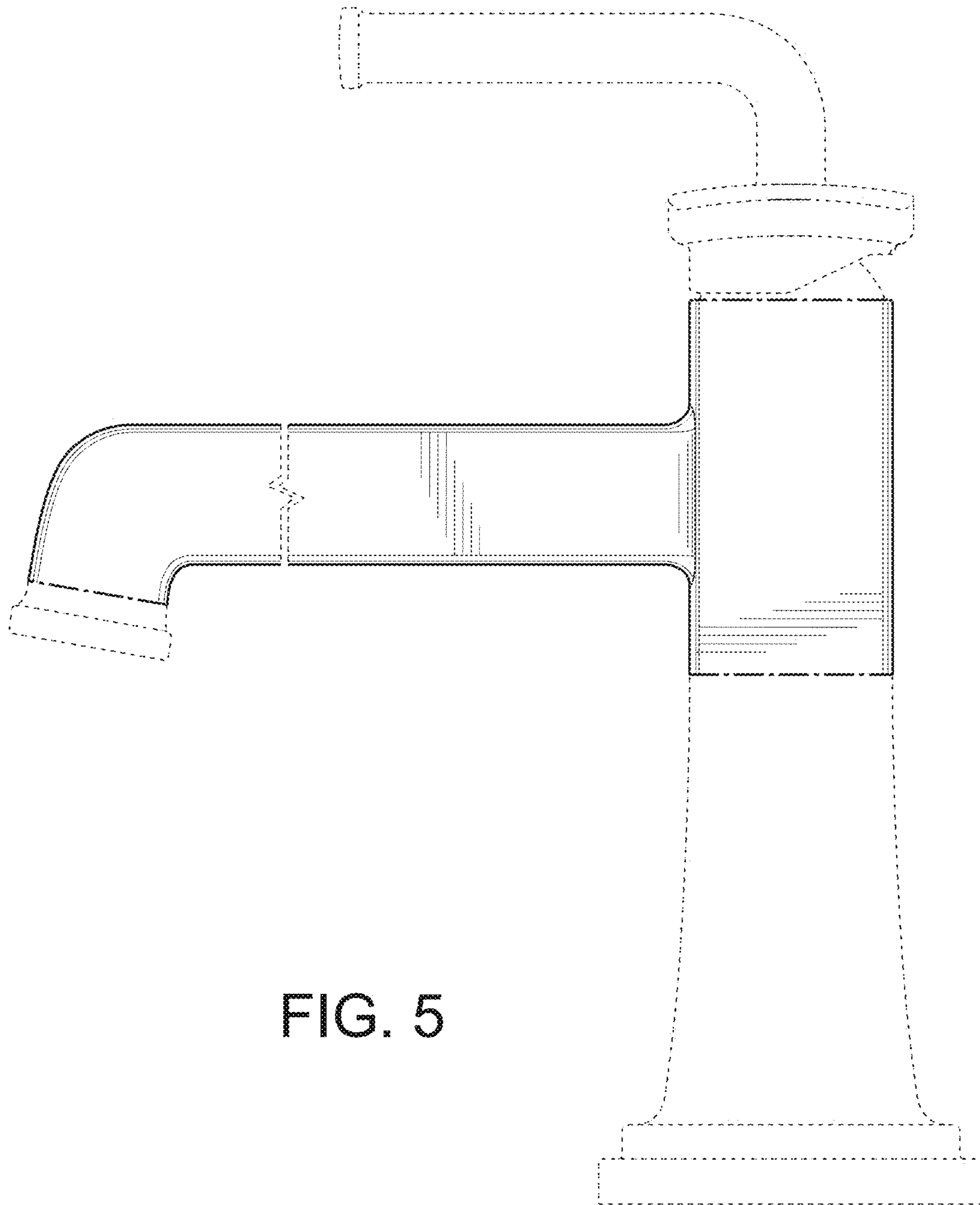


FIG. 5

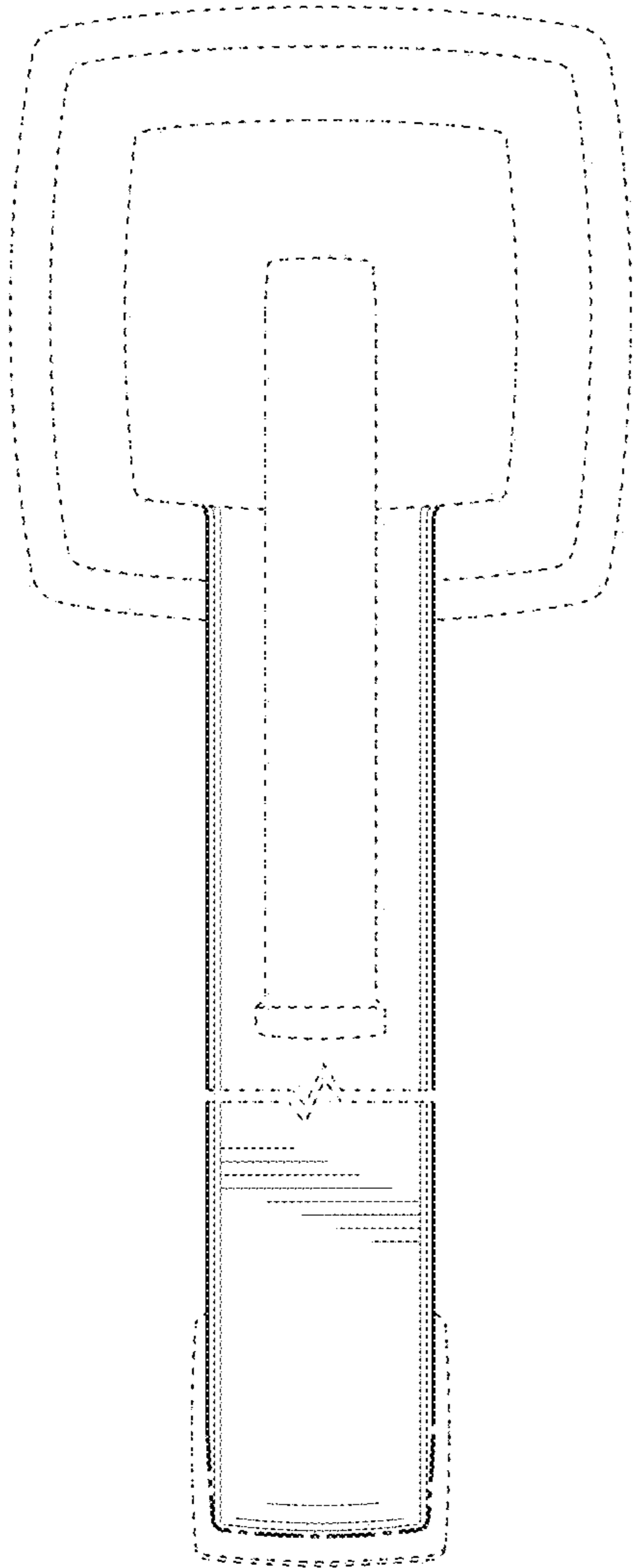


FIG. 6

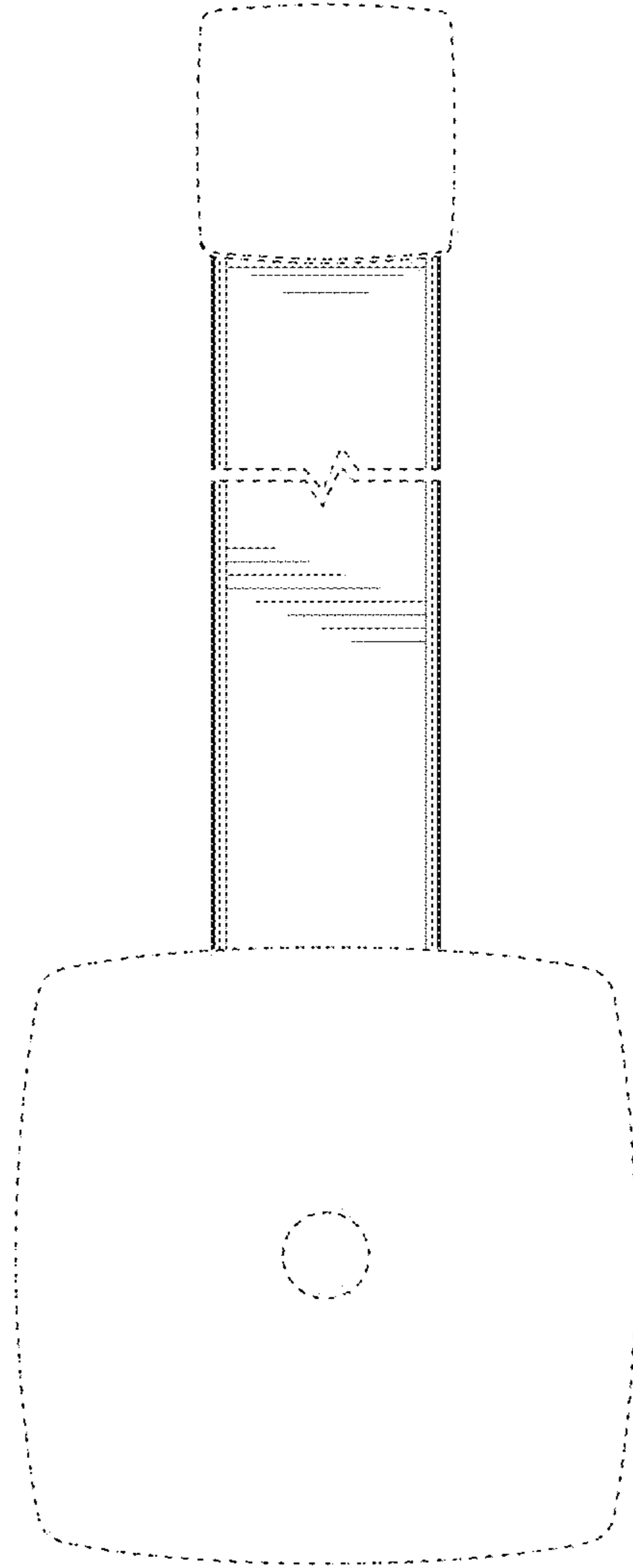


FIG. 7

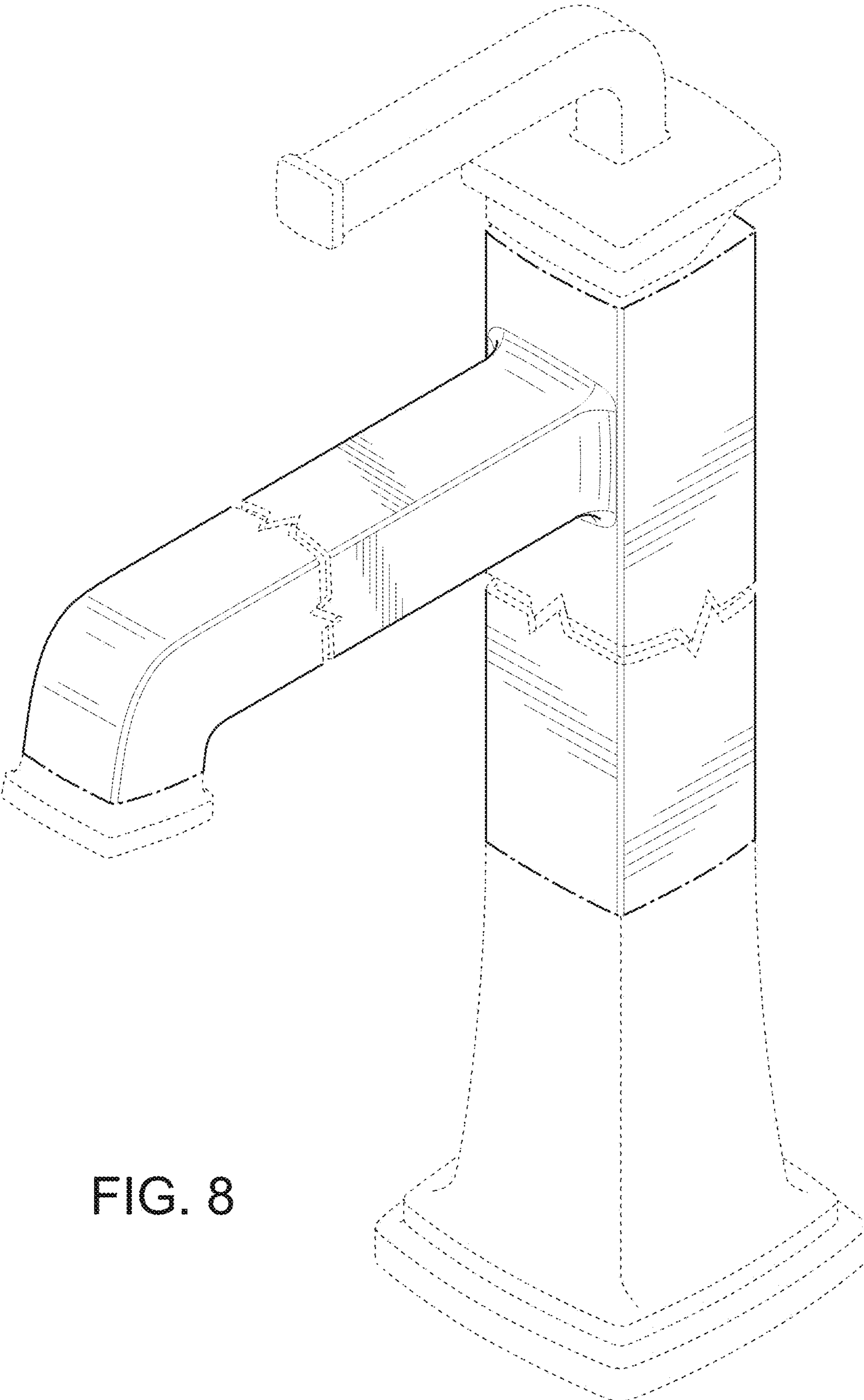


FIG. 8



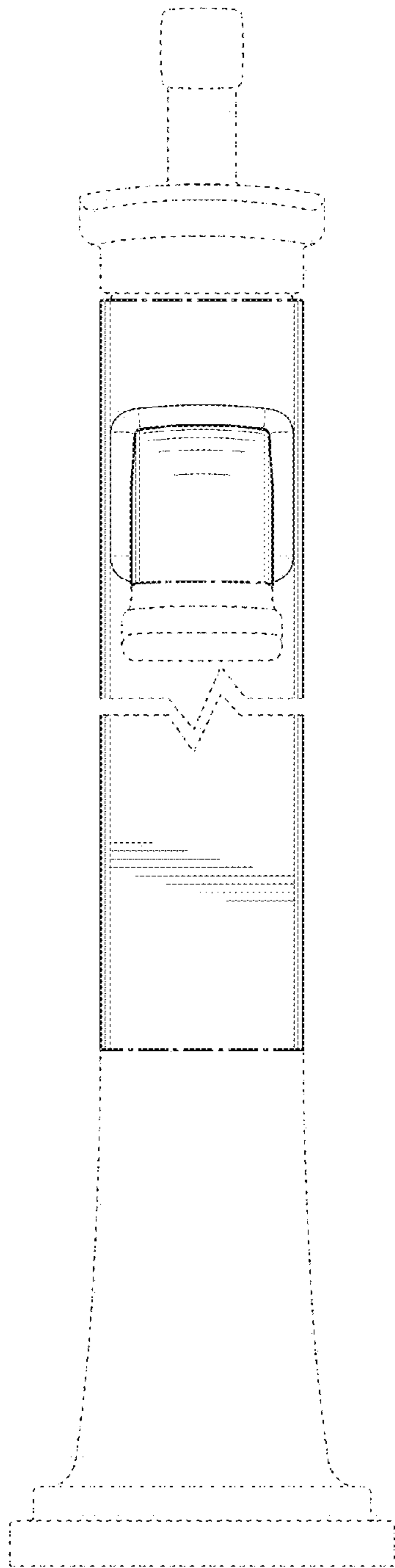


FIG. 9

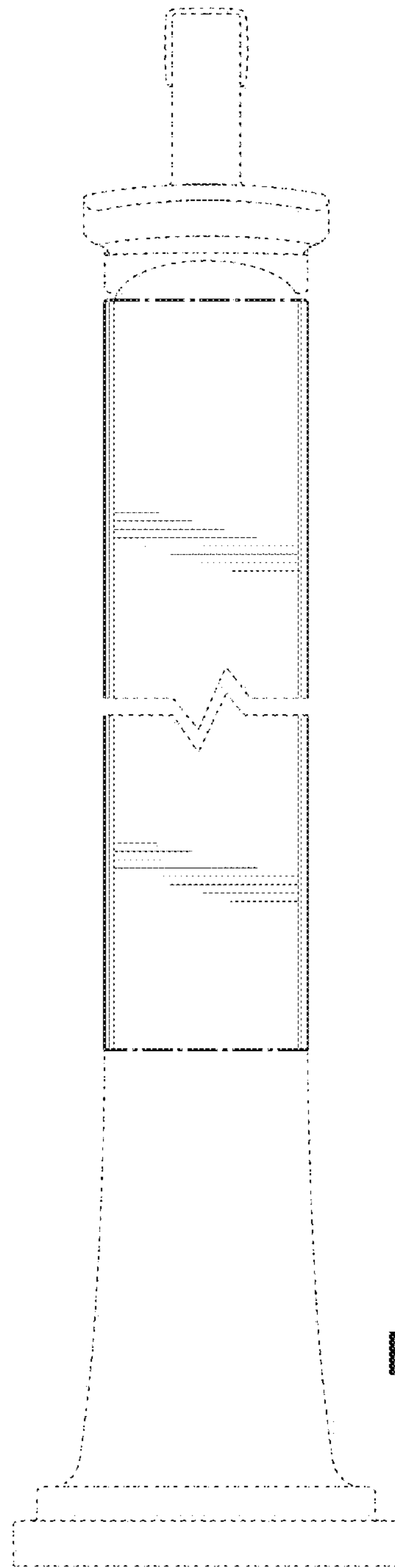


FIG. 10

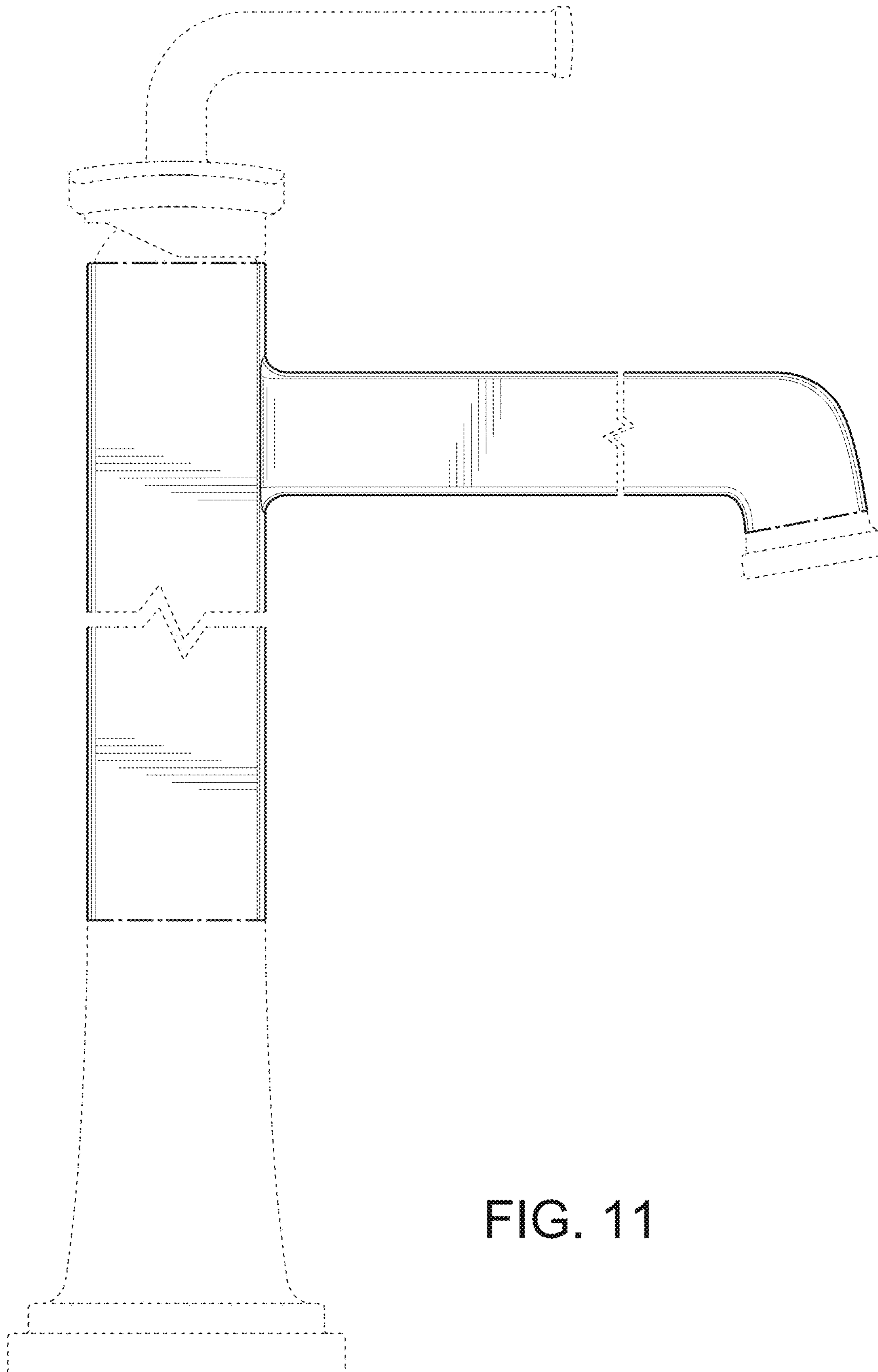


FIG. 11

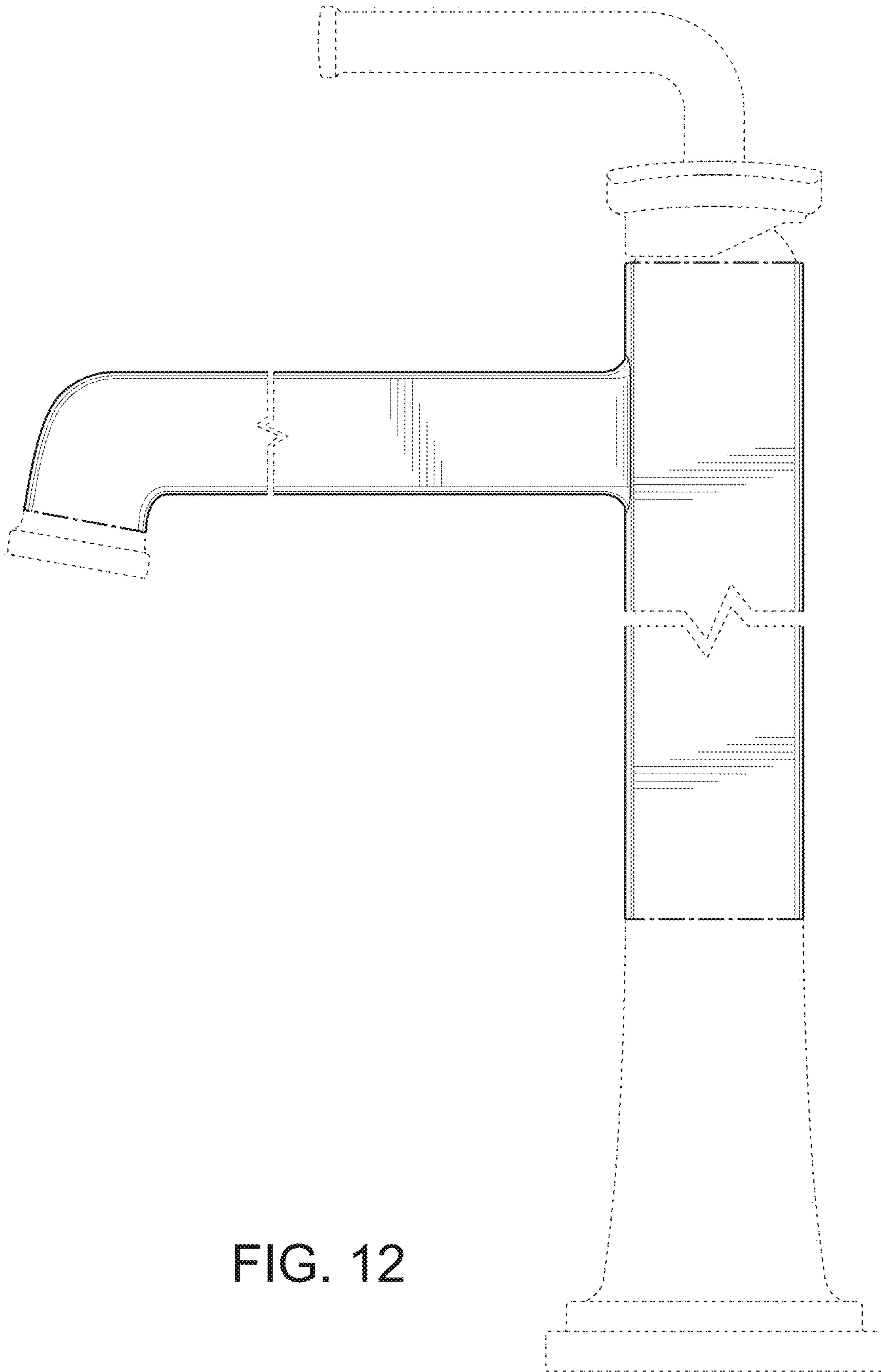


FIG. 12

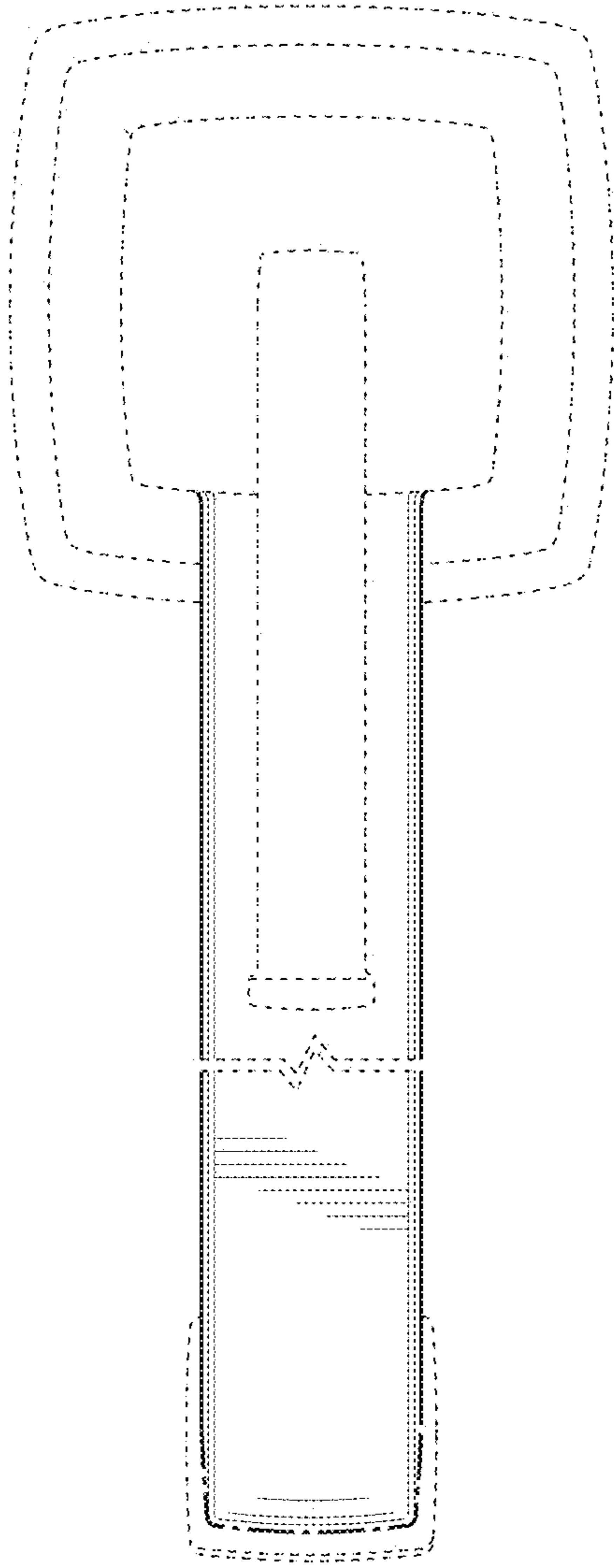


FIG. 13

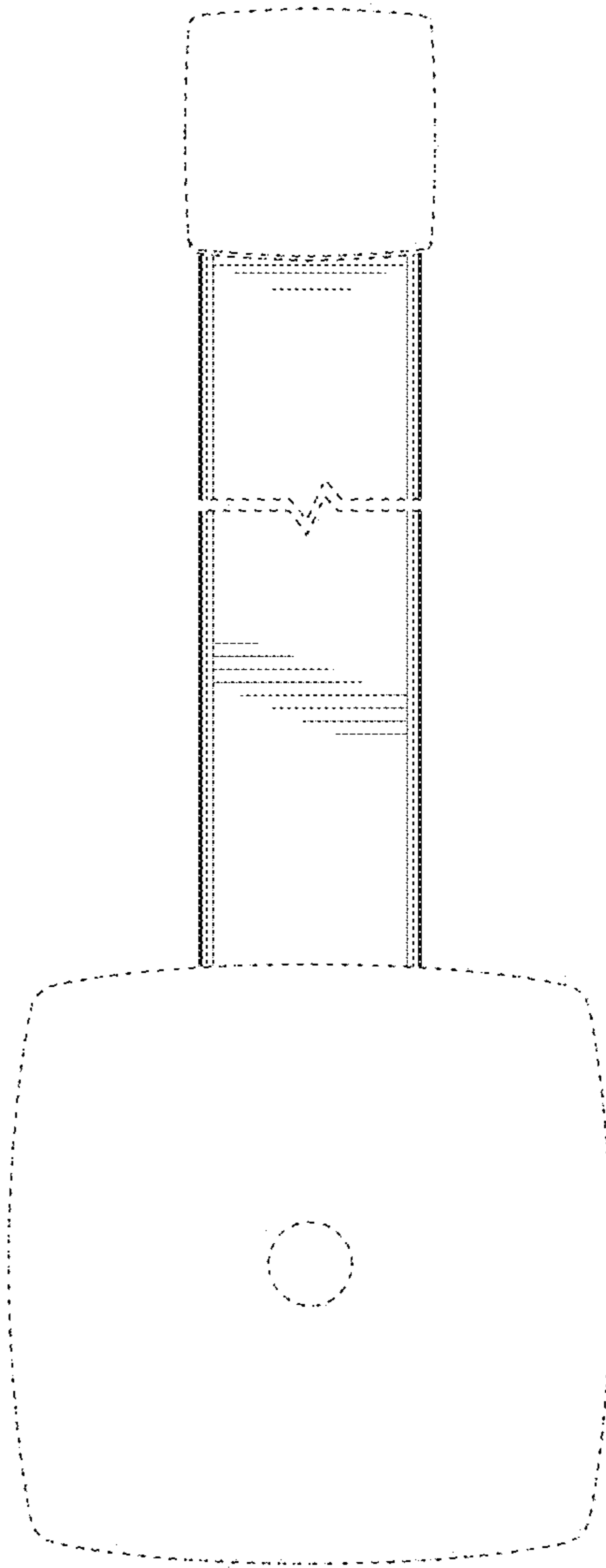


FIG. 14