



US00D963126S

(12) **United States Design Patent** (10) **Patent No.:** **US D963,126 S**
Liao (45) **Date of Patent:** **** Sep. 6, 2022**

(54) **FAUCET HANDLE**
(71) Applicant: **DELTA FAUCET COMPANY**,
Indianapolis, IN (US)
(72) Inventor: **Song Qing Liao**, Guangzhou (CN)
(73) Assignee: **DELTA FAUCET COMPANY**
(**) Term: **15 Years**
(21) Appl. No.: **29/776,506**
(22) Filed: **Mar. 30, 2021**
(51) **LOC (13) Cl.** **23-01**
(52) **U.S. Cl.**
USPC **D23/252**
(58) **Field of Classification Search**
USPC D23/238–243, 249–250, 252;
D8/307–308
See application file for complete search history.

(56) **References Cited**
U.S. PATENT DOCUMENTS
D703,793 S * 4/2014 Georgeson D23/252
D933,783 S * 10/2021 Miller D23/242
D947,326 S * 3/2022 Upadhyaya D23/252

* cited by examiner

Primary Examiner — Robert A Delehanty
(74) *Attorney, Agent, or Firm* — Nirav D. Parikh; Jeffrey L. Doyle

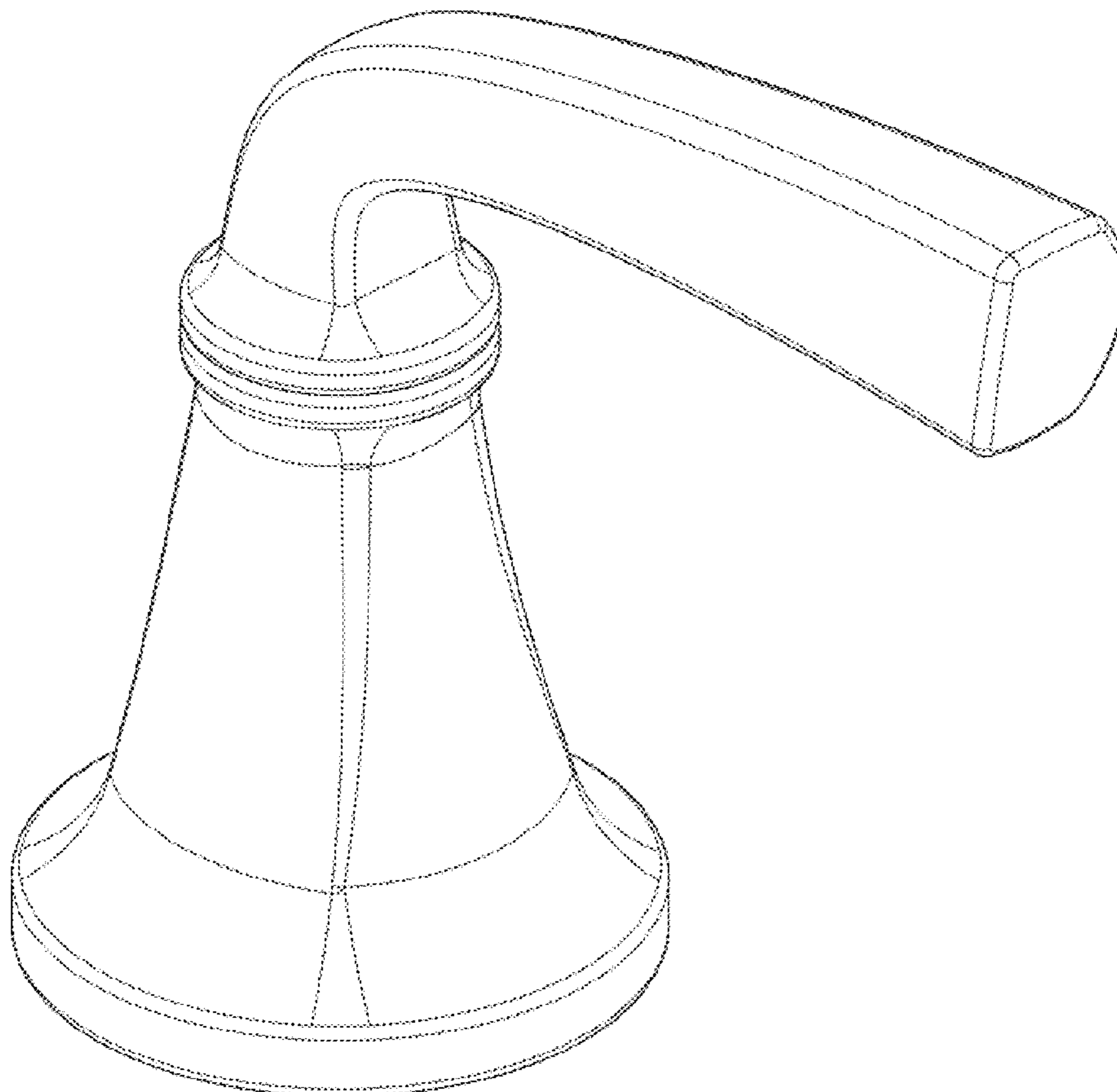
(57) **CLAIM**

The ornamental design for a faucet handle, as shown and described.

DESCRIPTION

FIG. 1 is a front perspective view of a faucet handle showing my new design;
FIG. 2 is a rear perspective view thereof;
FIG. 3 is a front elevational view thereof;
FIG. 4 is a left side view thereof;
FIG. 5 is a rear view thereof;
FIG. 6 is a right side view thereof;
FIG. 7 is a top plan view thereof; and,
FIG. 8 is a bottom view thereof.

1 Claim, 4 Drawing Sheets



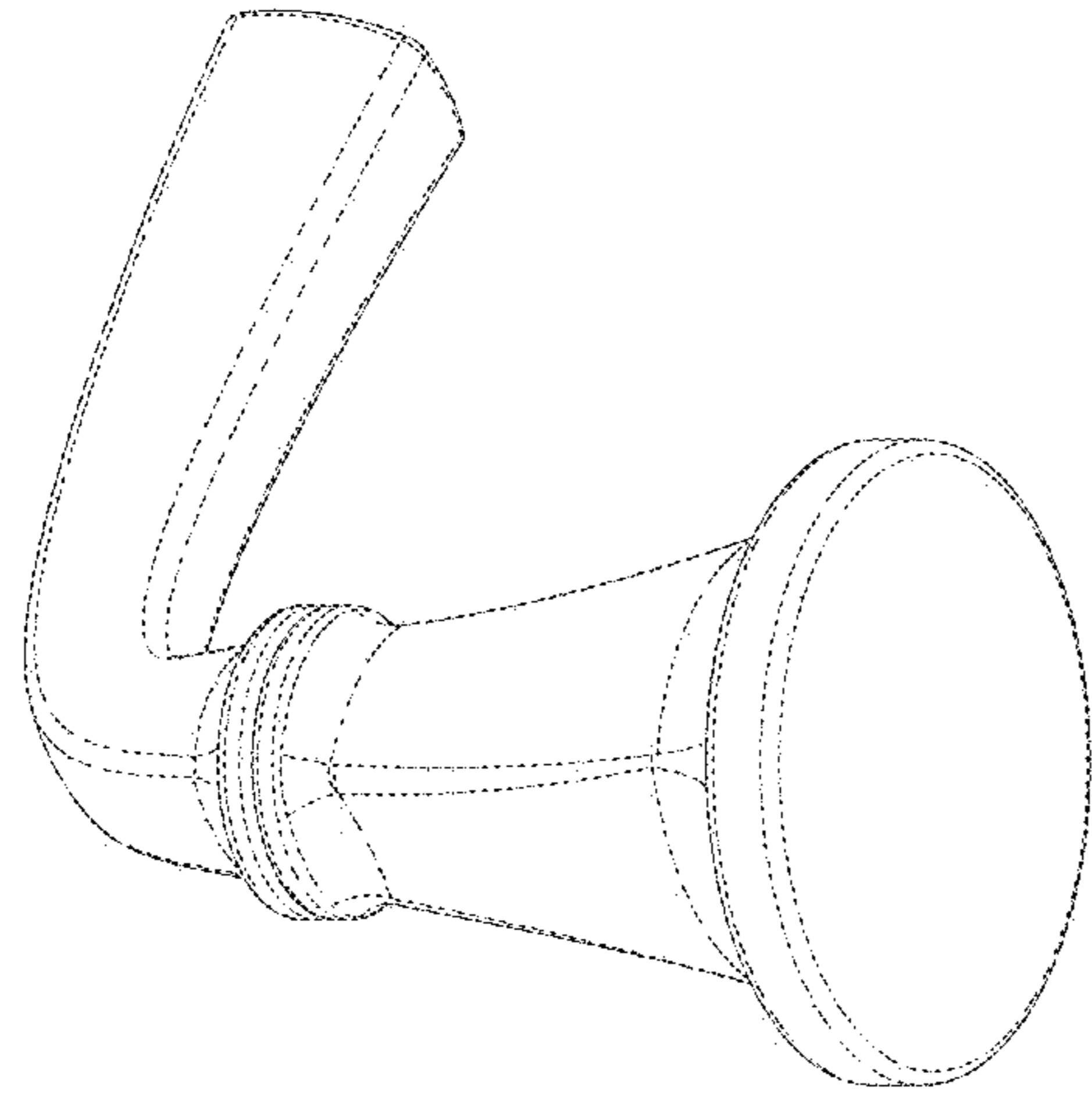


FIG - 2

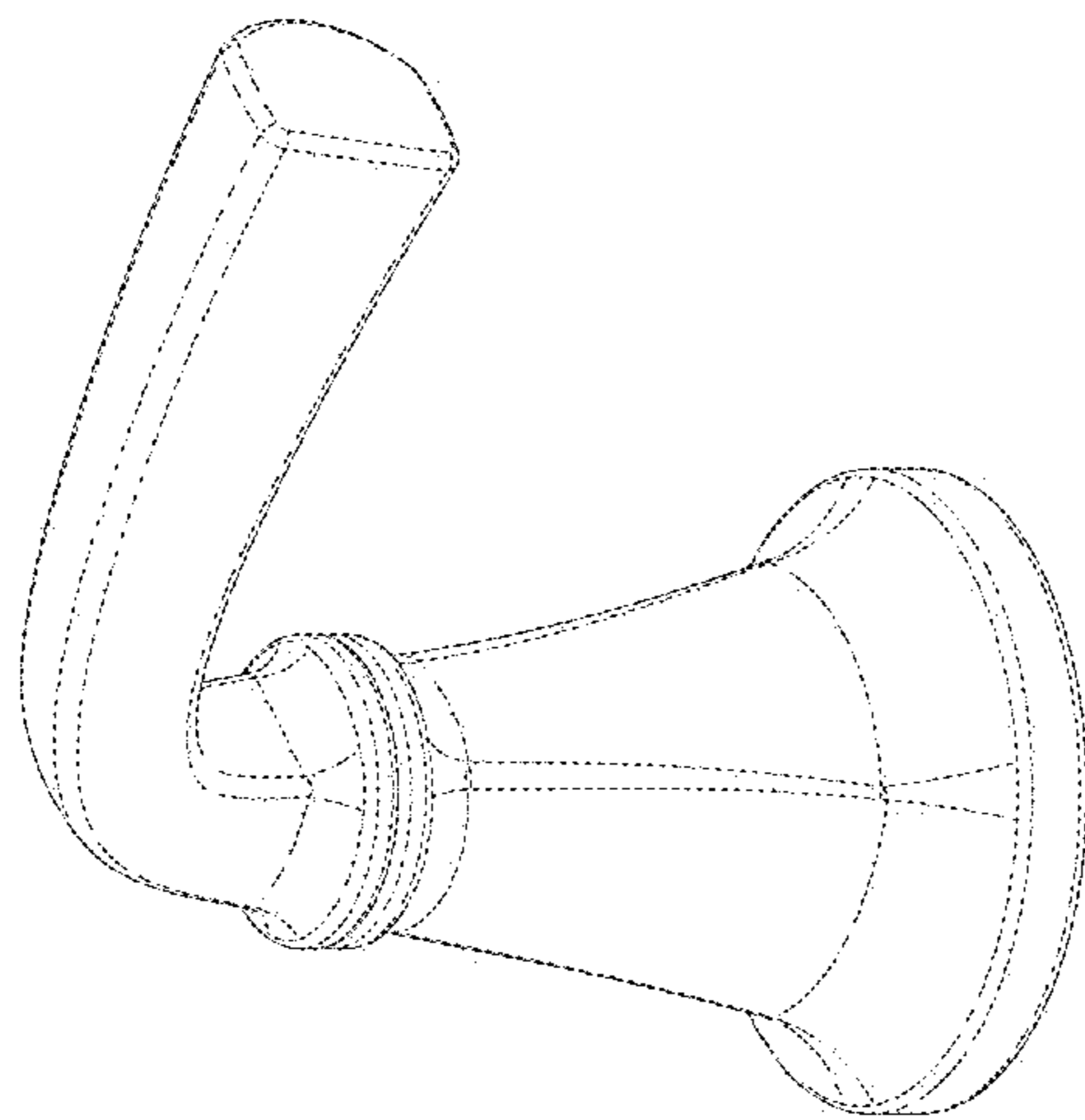


FIG - 1

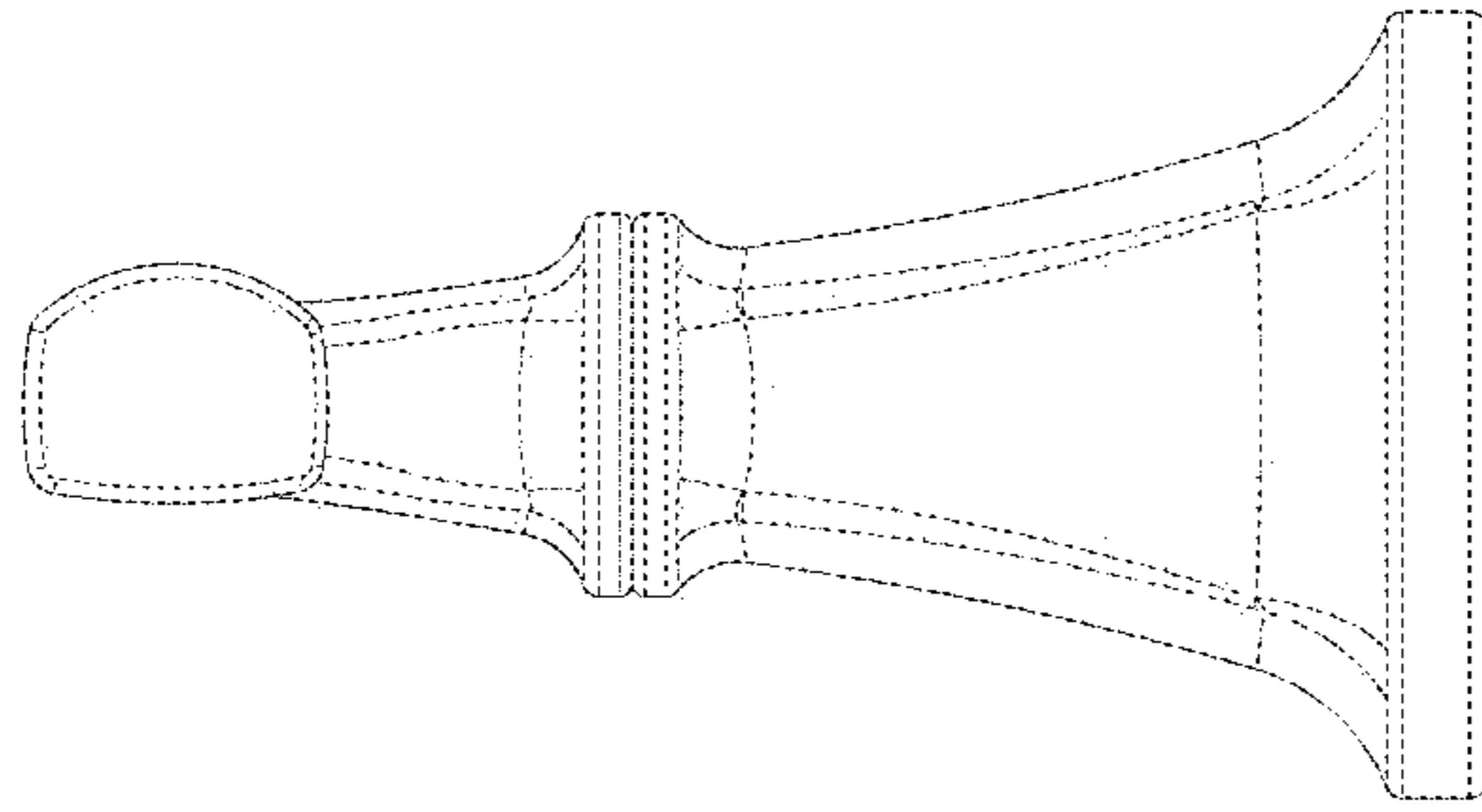


FIG - 4

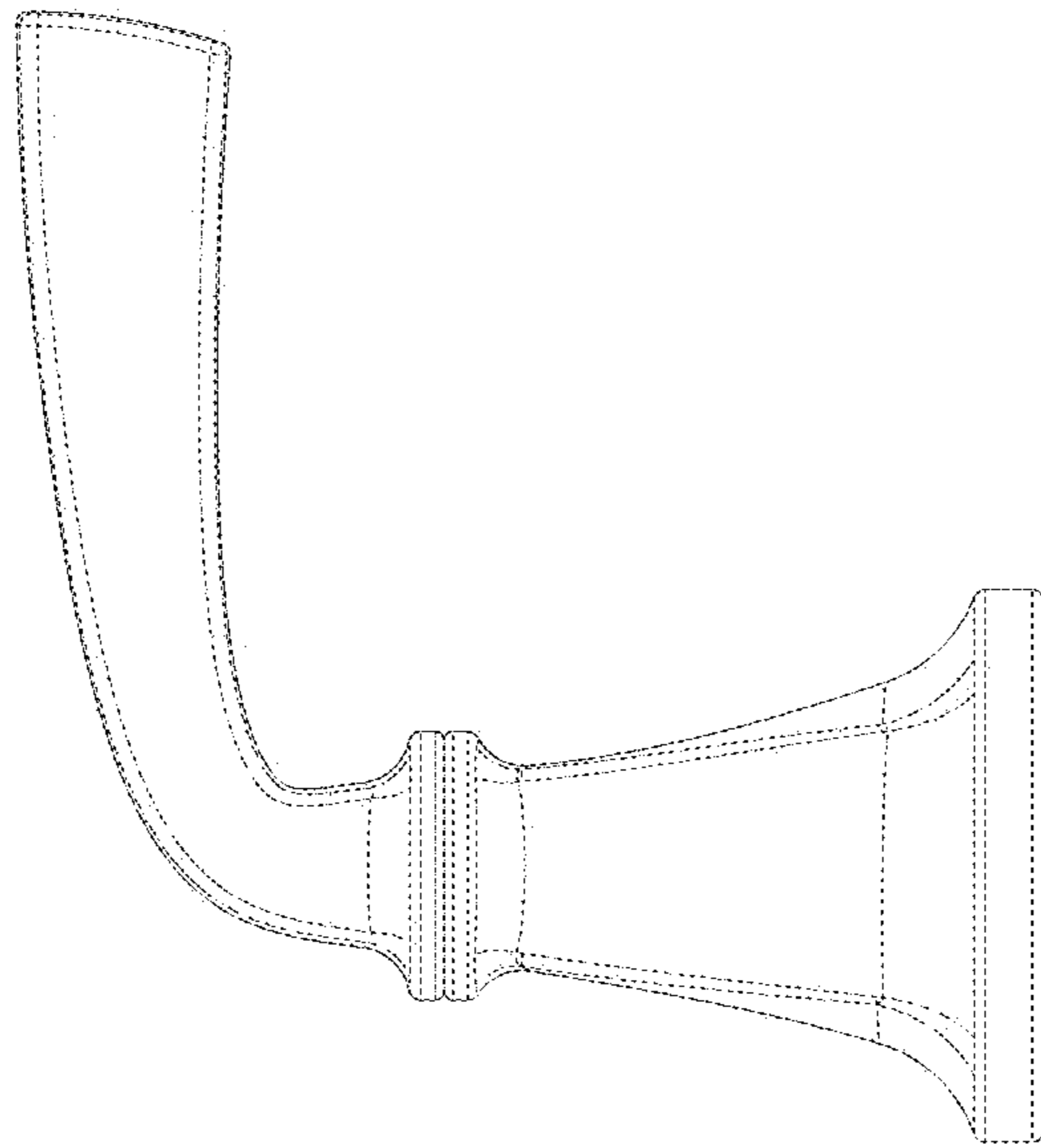


FIG - 3

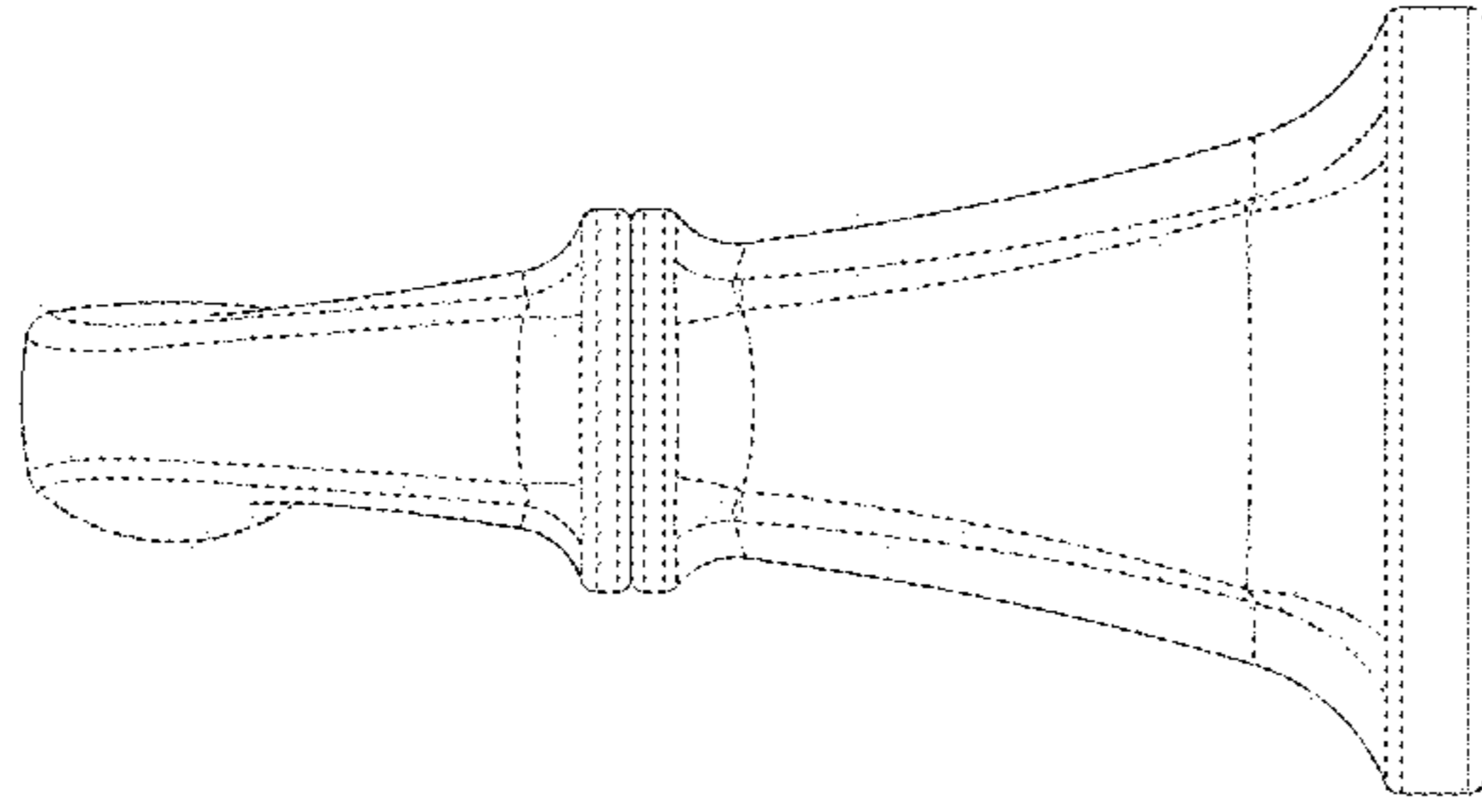


FIG - 6

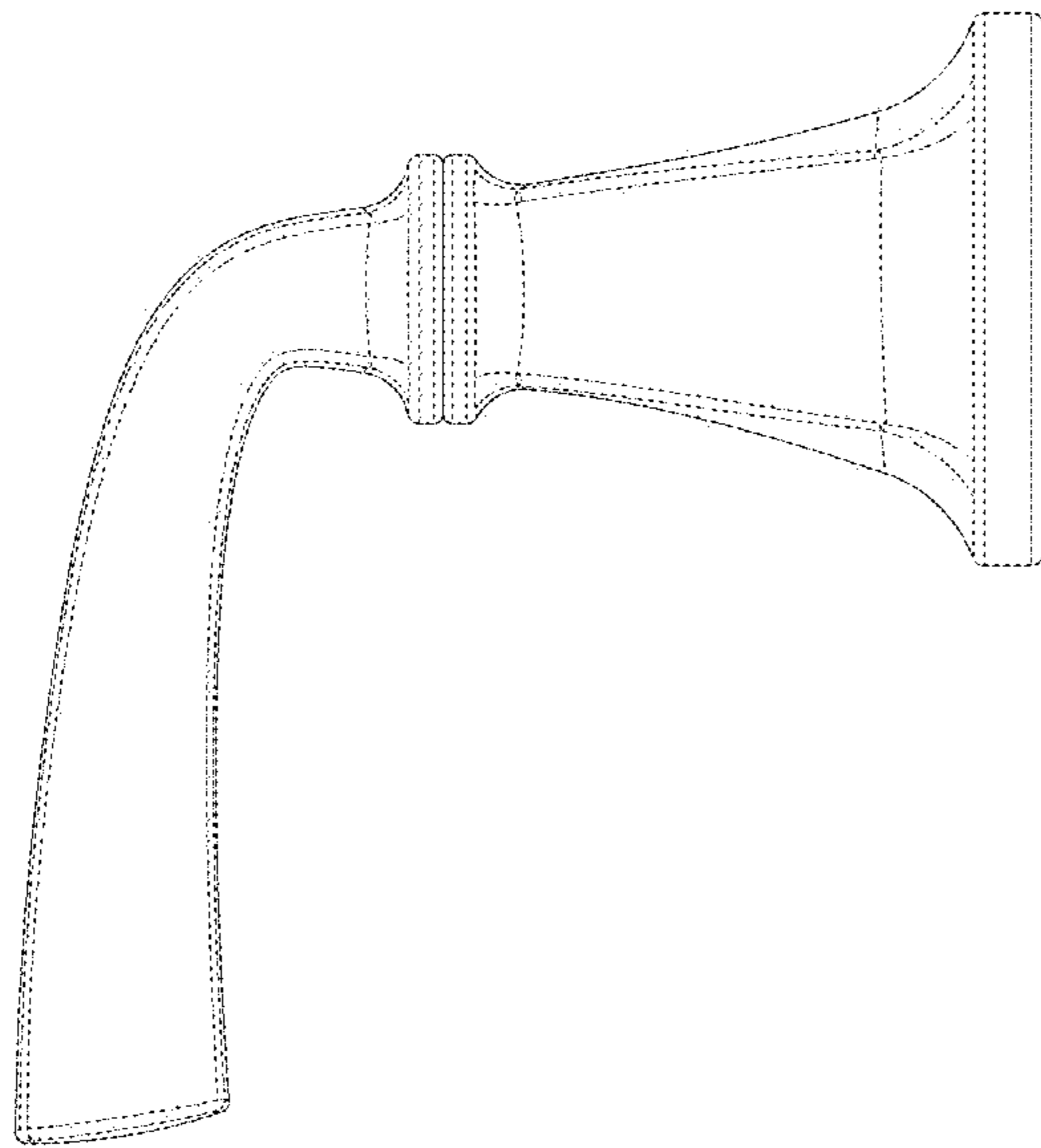


FIG - 5

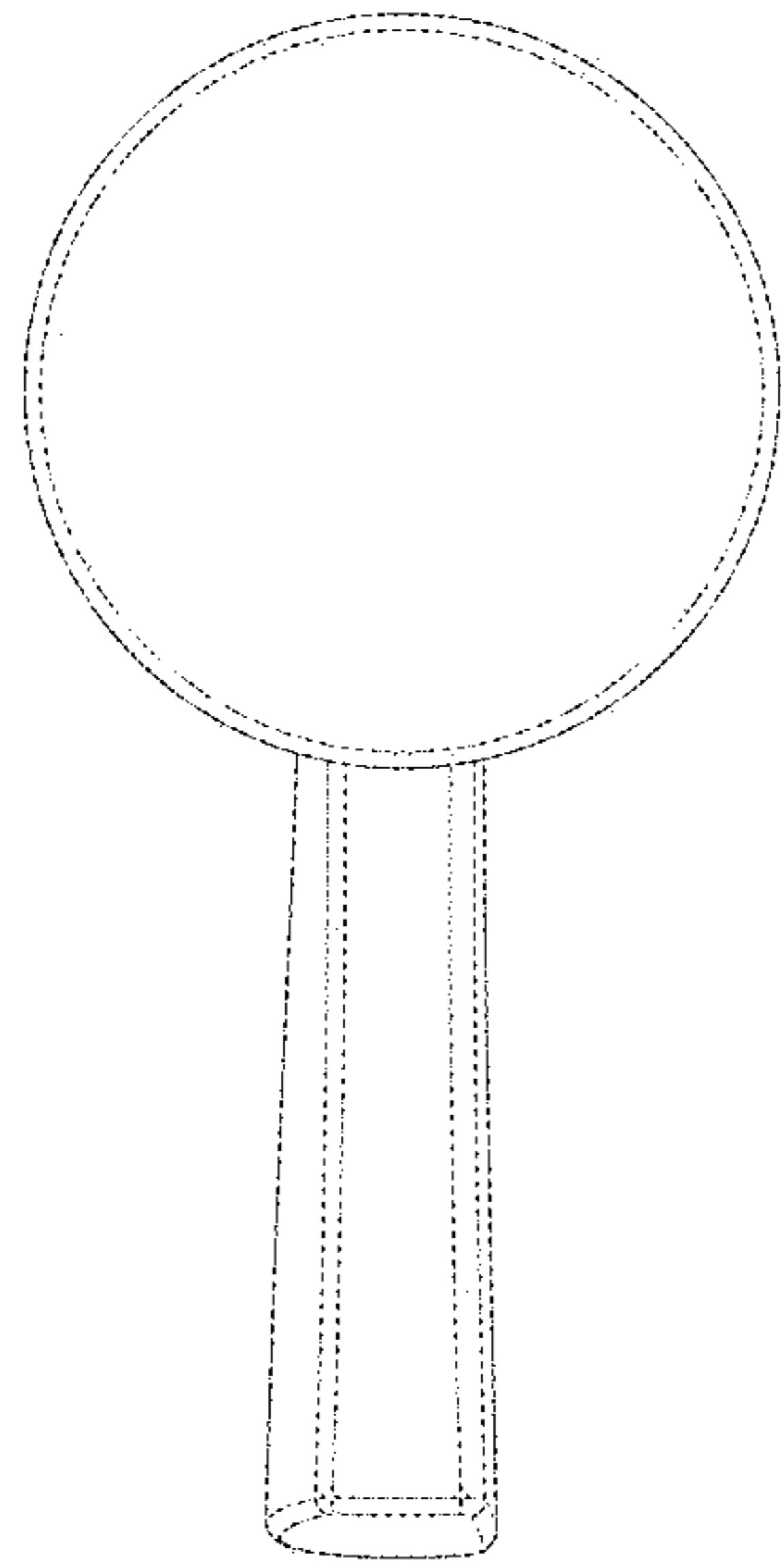


FIG - 8

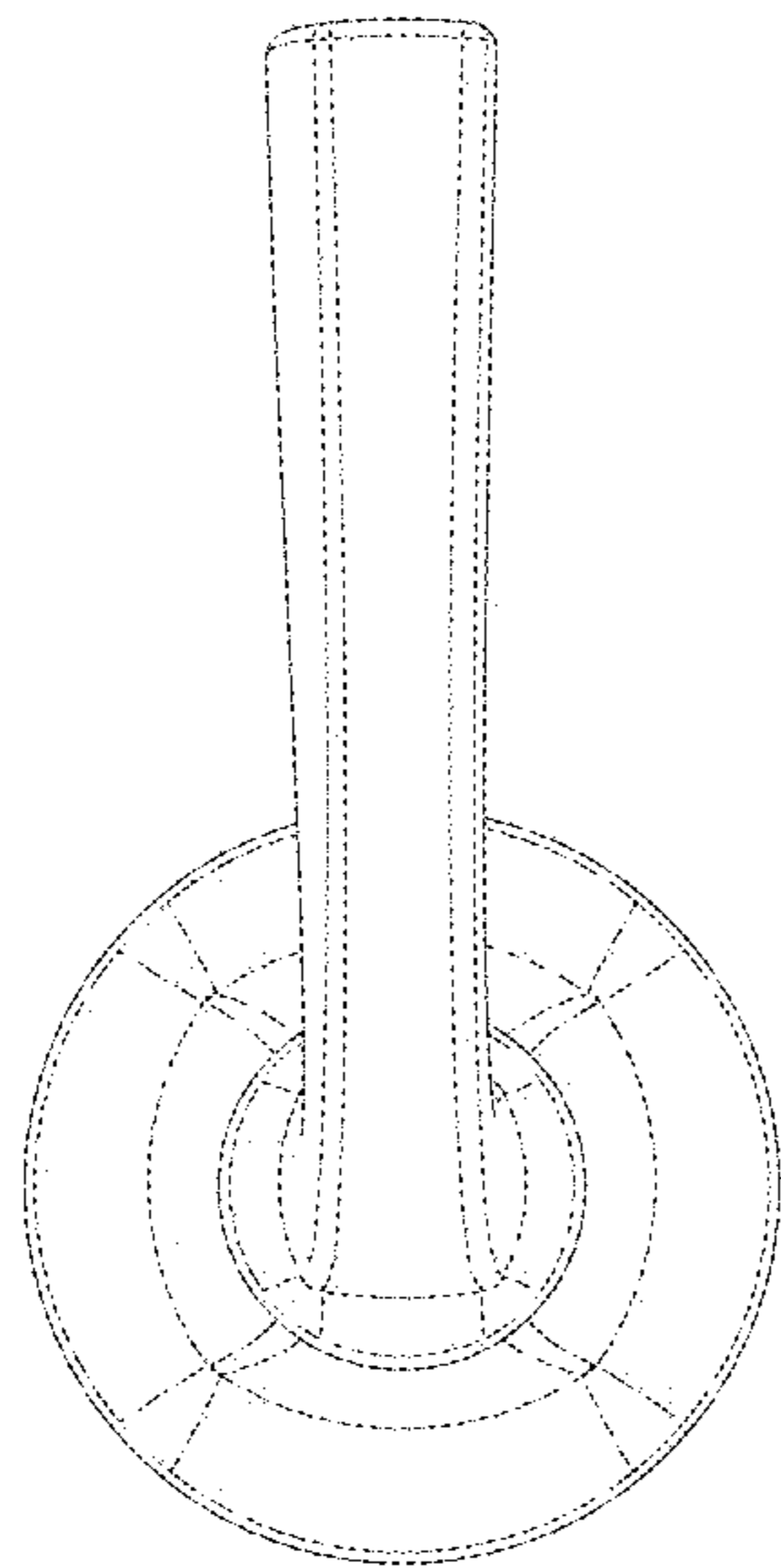


FIG - 7