



US00D963124S

(12) **United States Design Patent**
Homesombath

(10) **Patent No.:** **US D963,124 S**

(45) **Date of Patent:** **** Sep. 6, 2022**

(54) **FAUCET HANDLE**

(71) Applicant: **DELTA FAUCET COMPANY,**
Indianapolis, IN (US)

(72) Inventor: **Josh Homesombath,** Milwaukee, WI
(US)

(73) Assignee: **DELTA FAUCET COMPANY,**
Indianapolis, IN (US)

(**) Term: **15 Years**

(21) Appl. No.: **29/774,852**

(22) Filed: **Mar. 19, 2021**

(51) **LOC (13) Cl.** **23-01**

(52) **U.S. Cl.**
USPC **D23/252**

(58) **Field of Classification Search**
USPC D23/238–243, 249–250, 252;
D8/307–308

See application file for complete search history.

(56) **References Cited**

U.S. PATENT DOCUMENTS

D627,441 S * 11/2010 Sedwick D23/252
D648,829 S * 11/2011 Gao D23/252

D757,908 S * 5/2016 Fritz D23/252
D812,197 S * 3/2018 Garland D23/252
D875,893 S * 2/2020 Eads D23/252
D882,736 S * 4/2020 Eads D23/252
D936,184 S * 11/2021 Lazarini D23/252
D937,987 S * 12/2021 Lazarini D23/252
D941,433 S * 1/2022 Upadhyaya D23/252

* cited by examiner

Primary Examiner — Robert A Delehanty

(74) *Attorney, Agent, or Firm* — Nirav D. Parikh; Jeffrey
L. Doyle

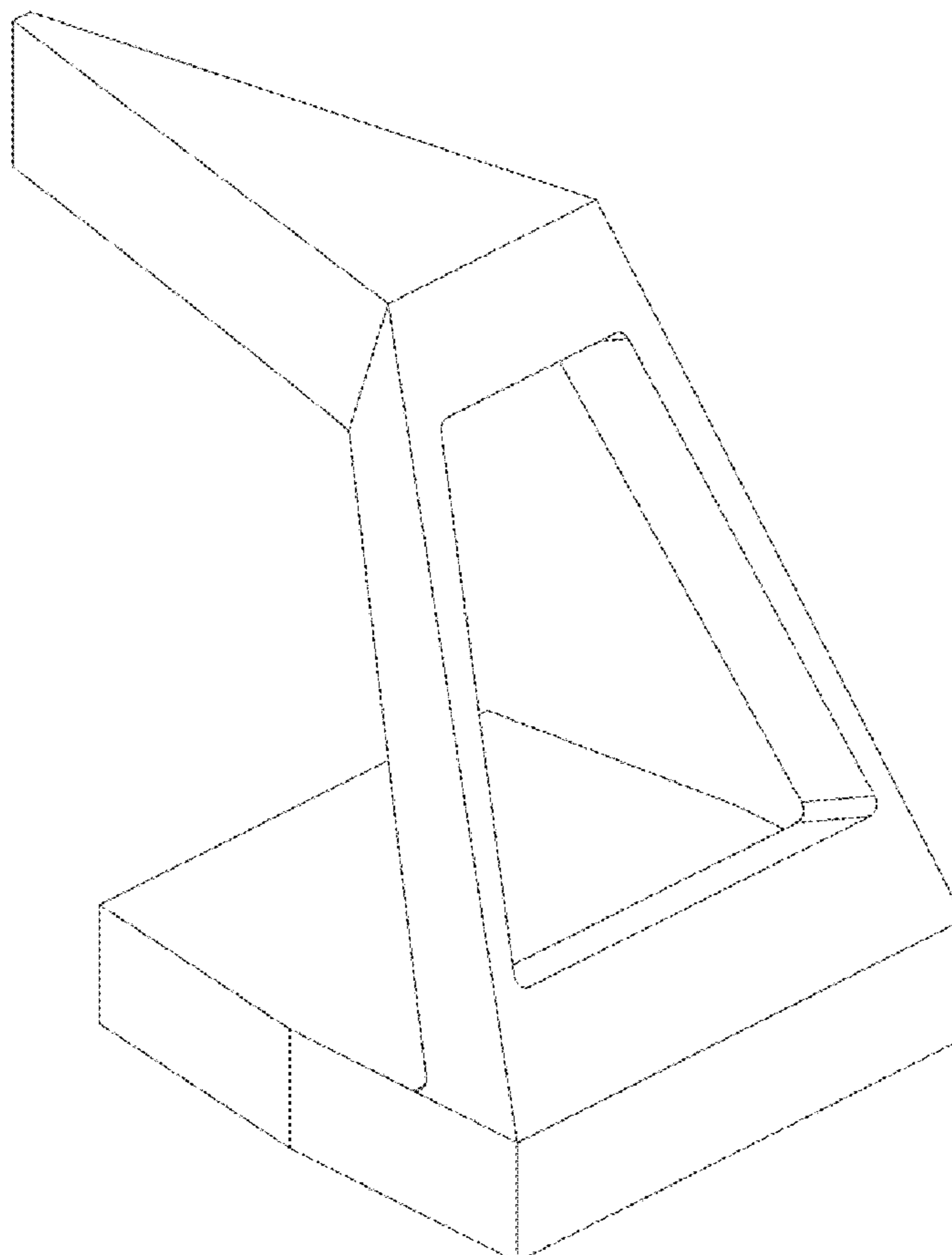
(57) **CLAIM**

The ornamental design for a faucet handle, as shown and
described.

DESCRIPTION

FIG. 1 is a front perspective view of a faucet handle showing
my new design;
FIG. 2 is a rear perspective view thereof;
FIG. 3 is a front elevational view thereof;
FIG. 4 is a left side view thereof;
FIG. 5 is a rear view thereof;
FIG. 6 is a right side view thereof;
FIG. 7 is a top plan view thereof; and,
FIG. 8 is a bottom view thereof.

1 Claim, 4 Drawing Sheets



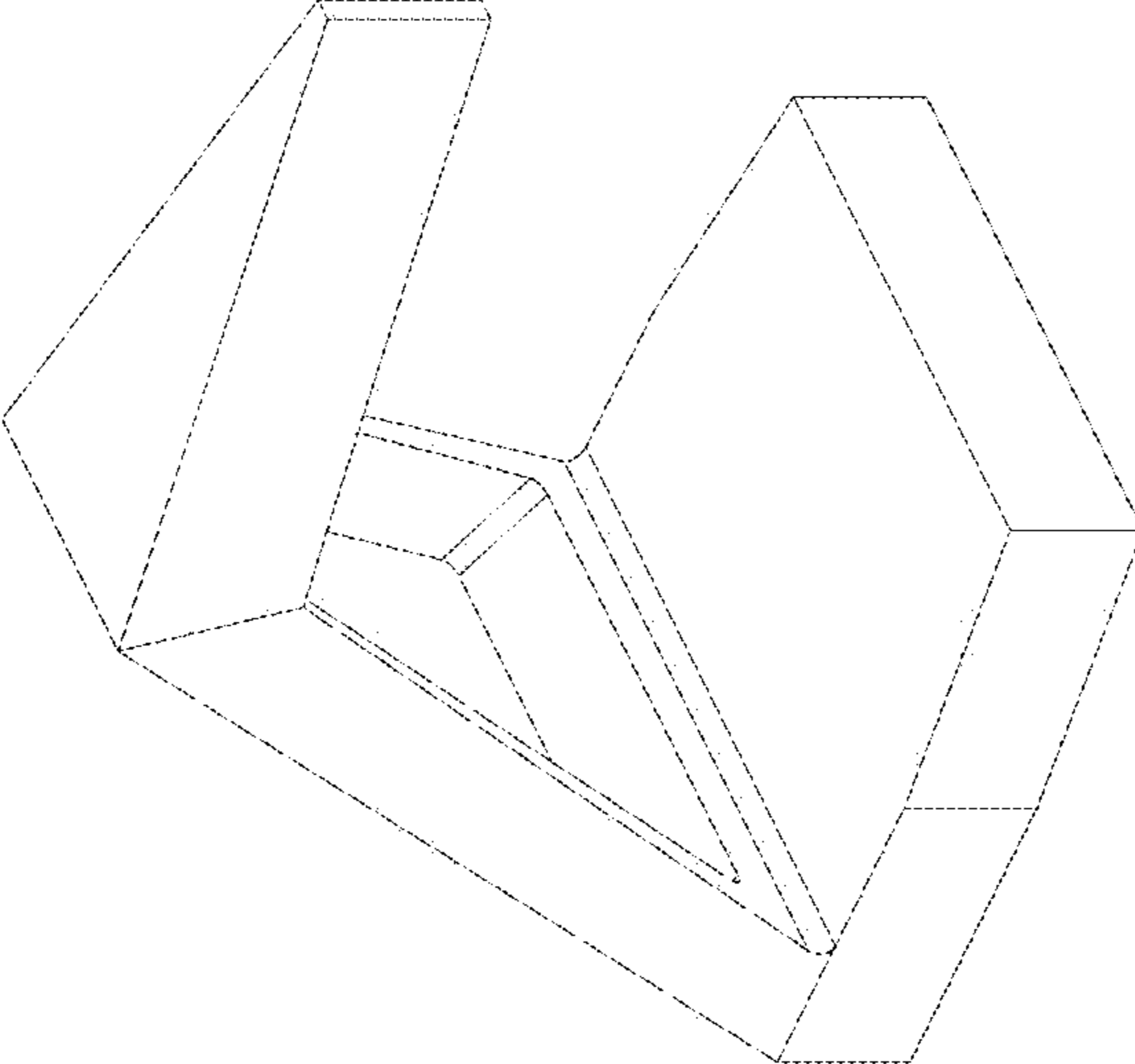


FIG - 2

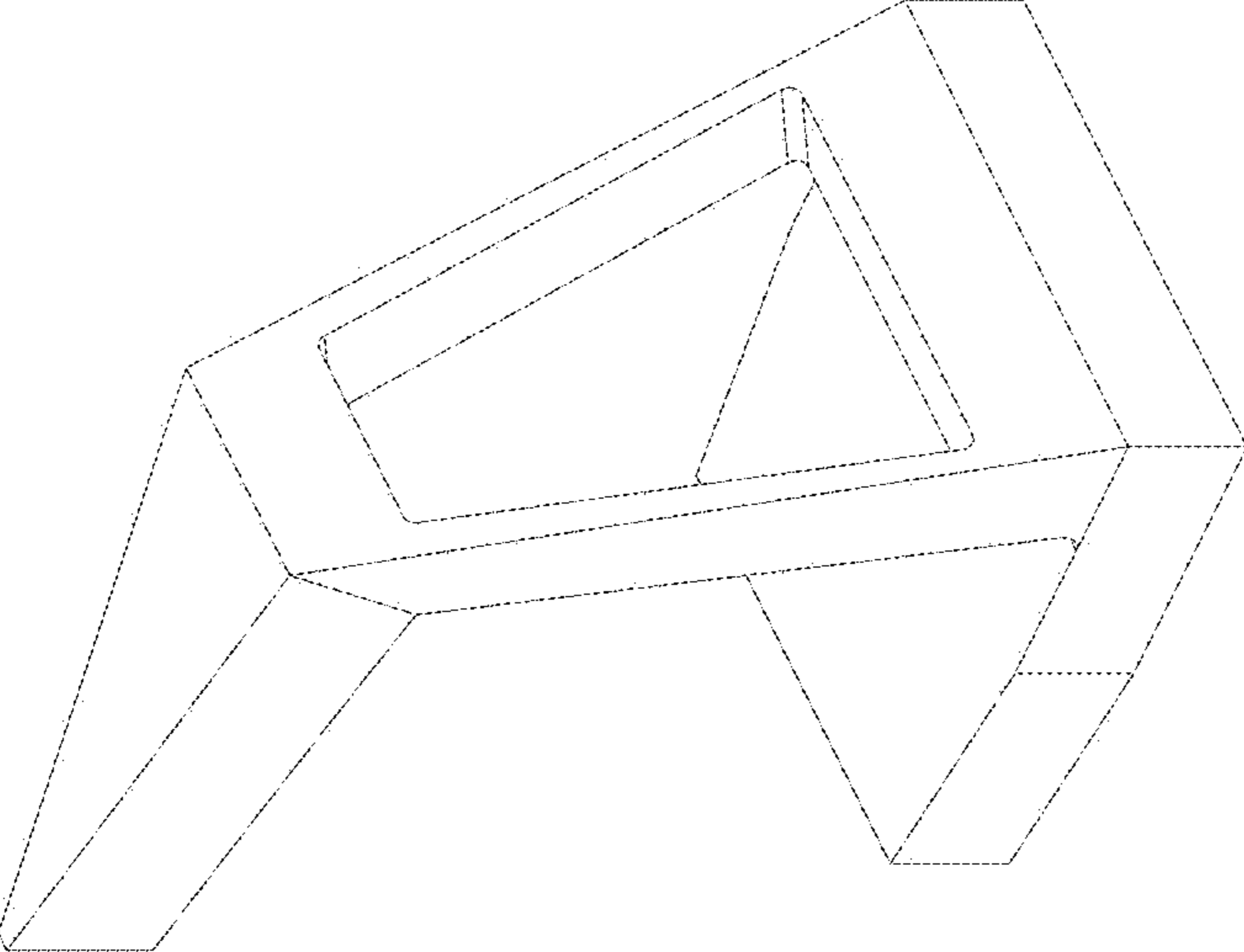


FIG - 1

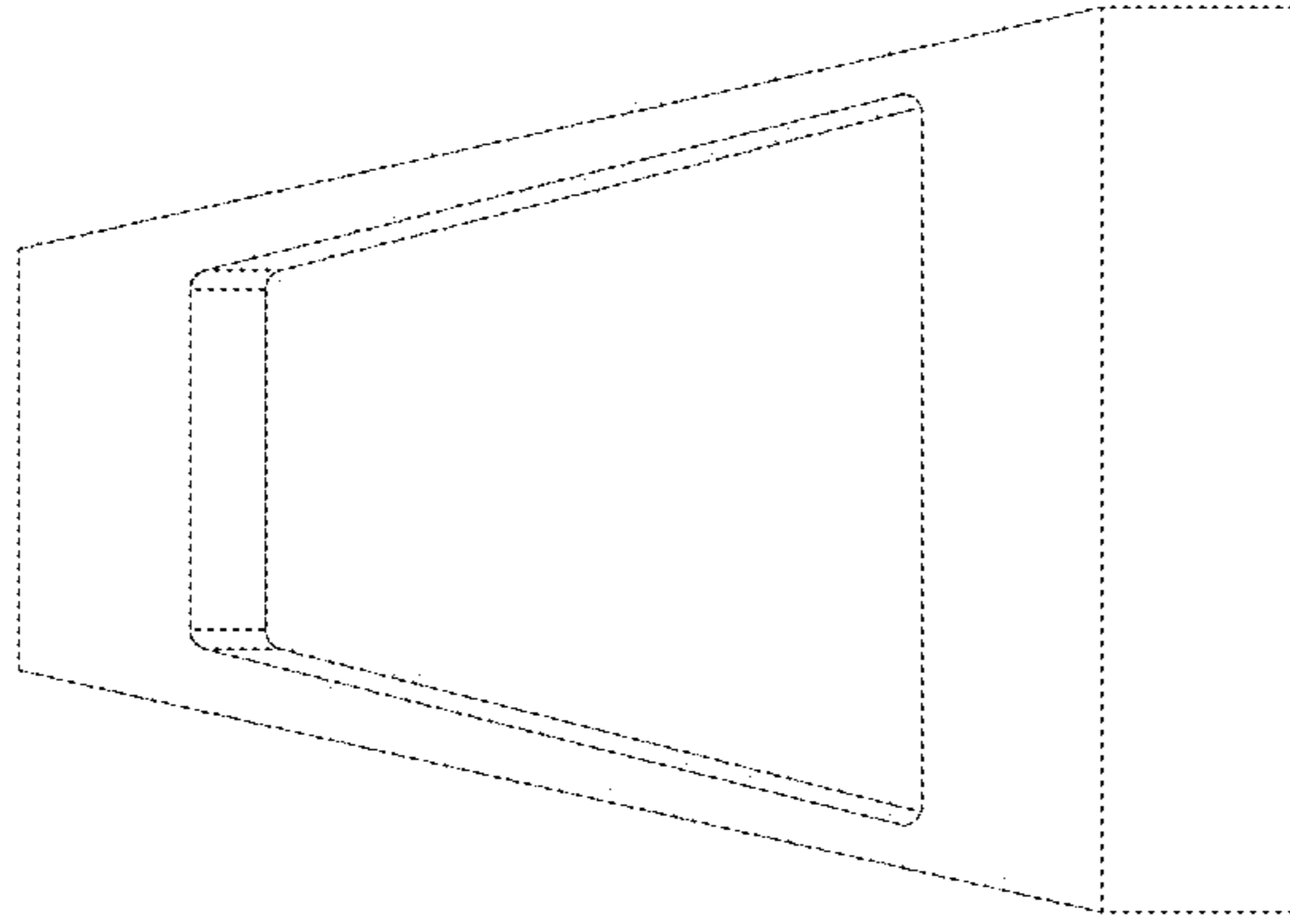


FIG - 4

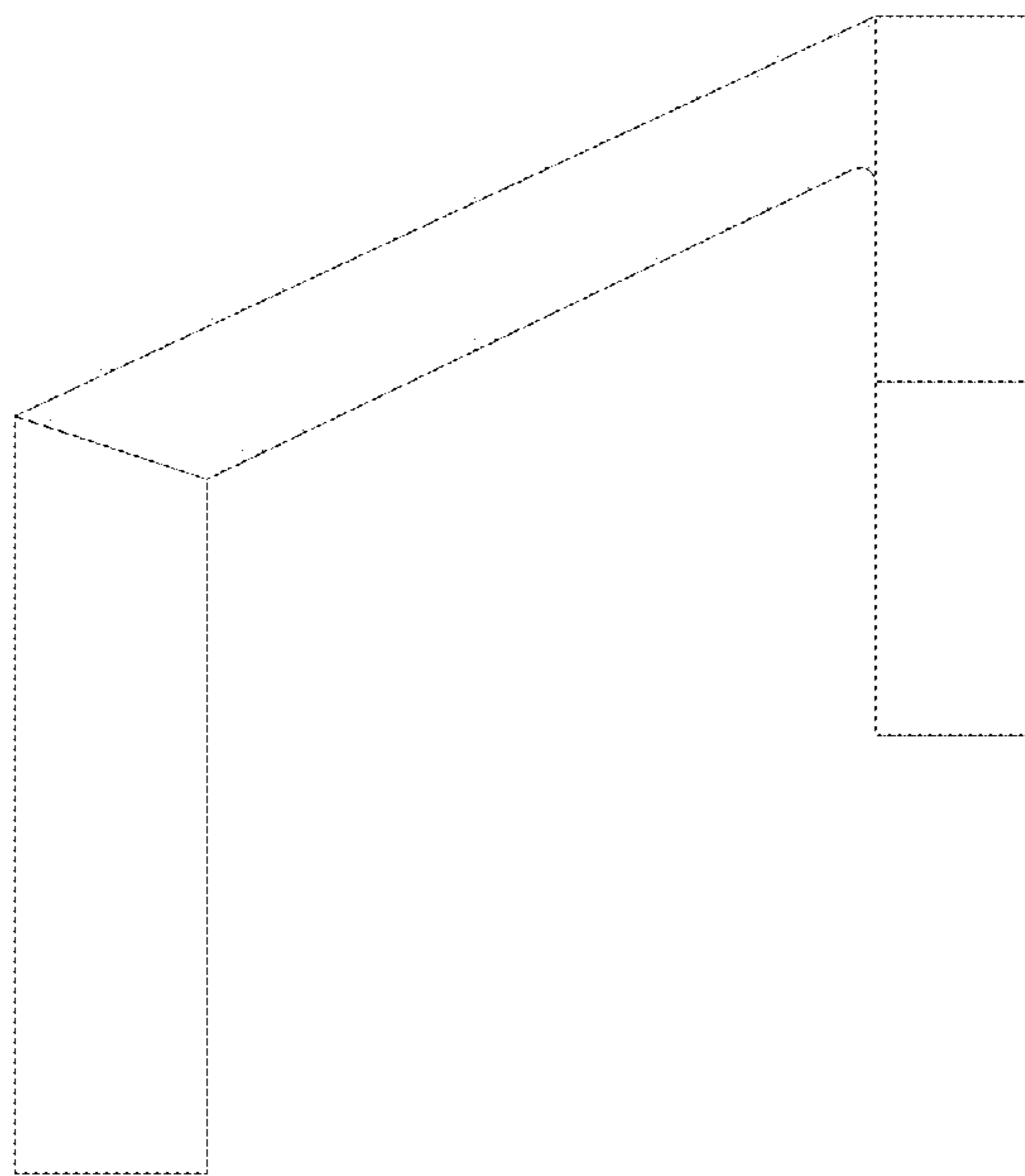


FIG - 3

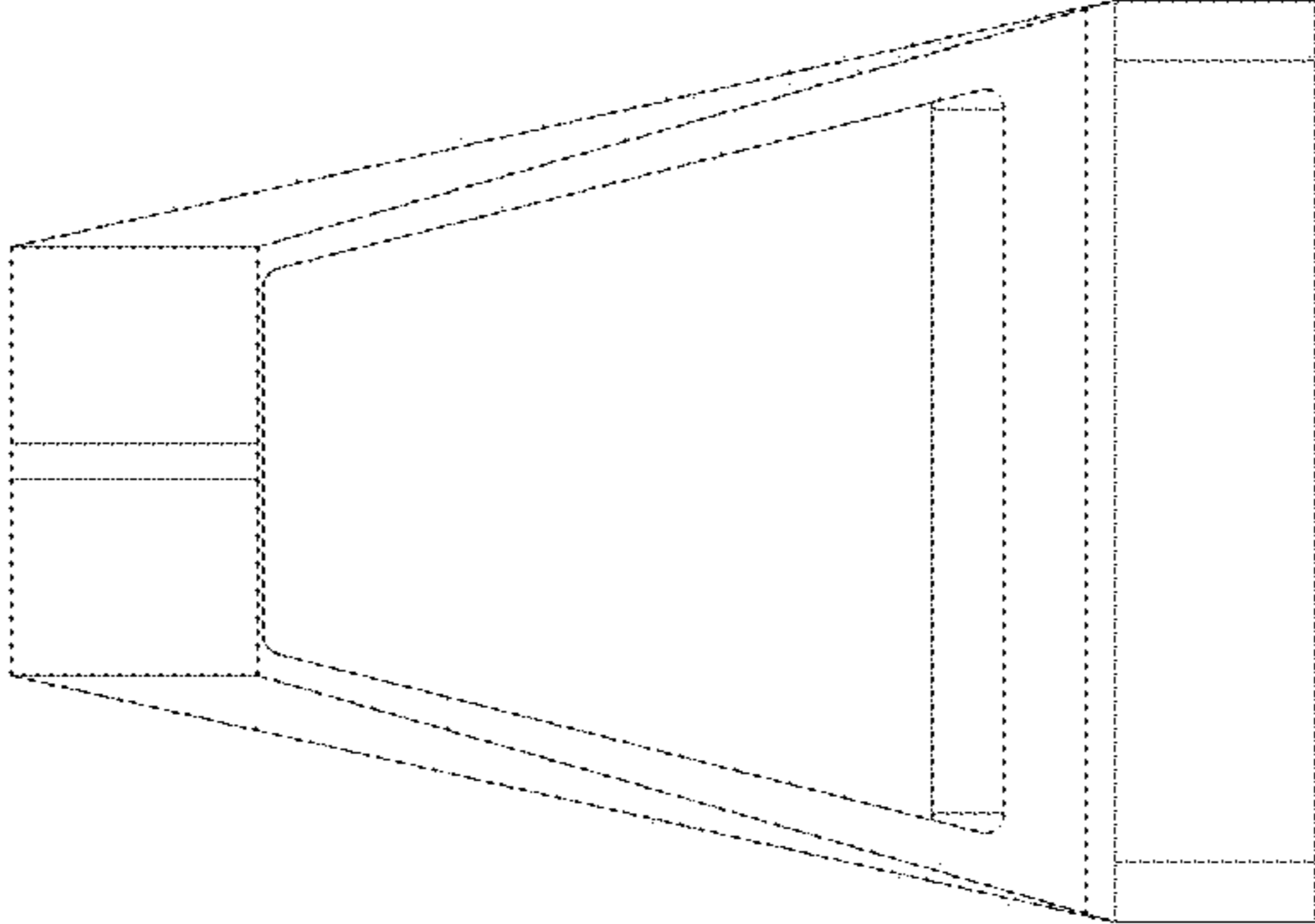


FIG - 6

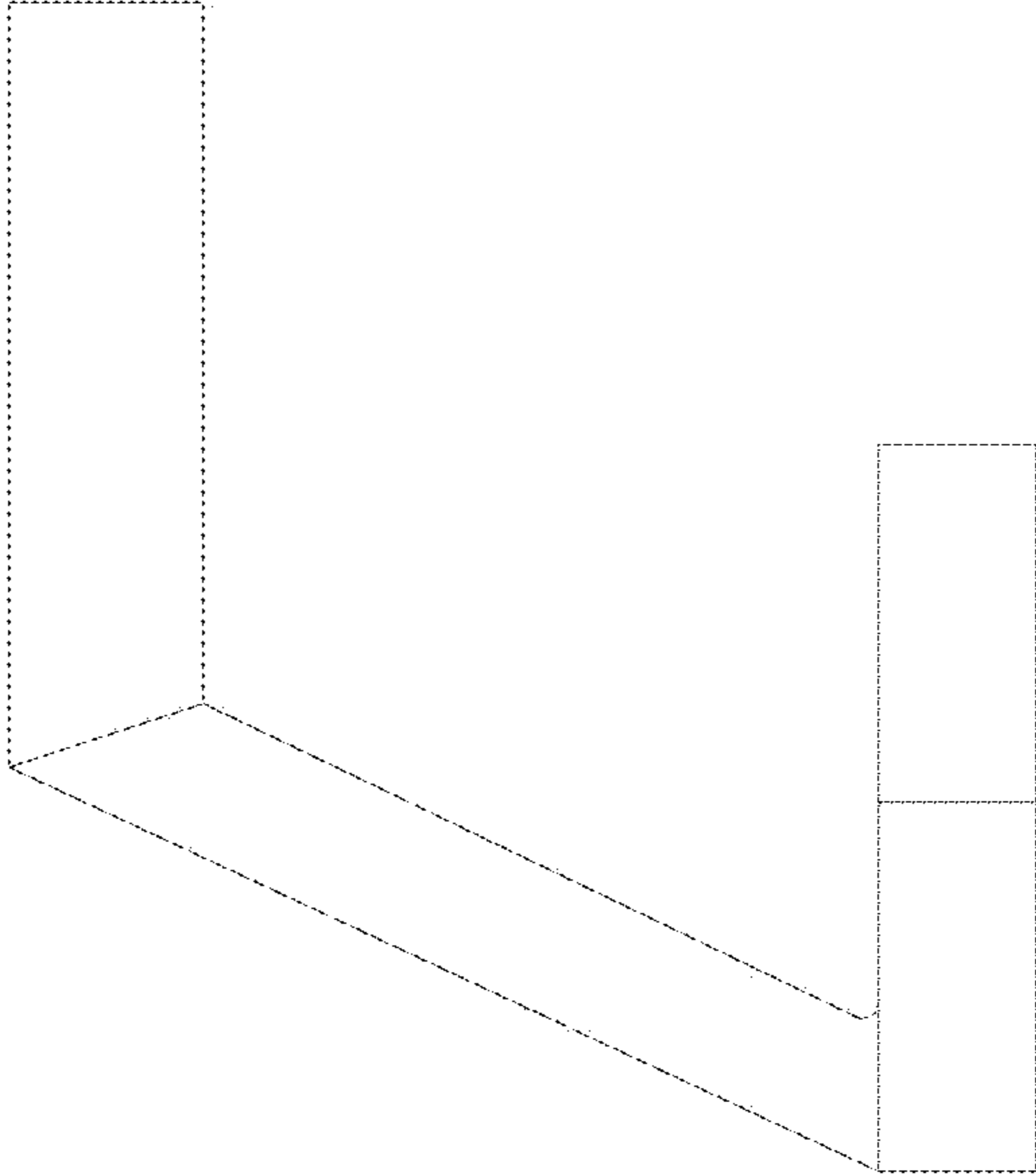


FIG - 5

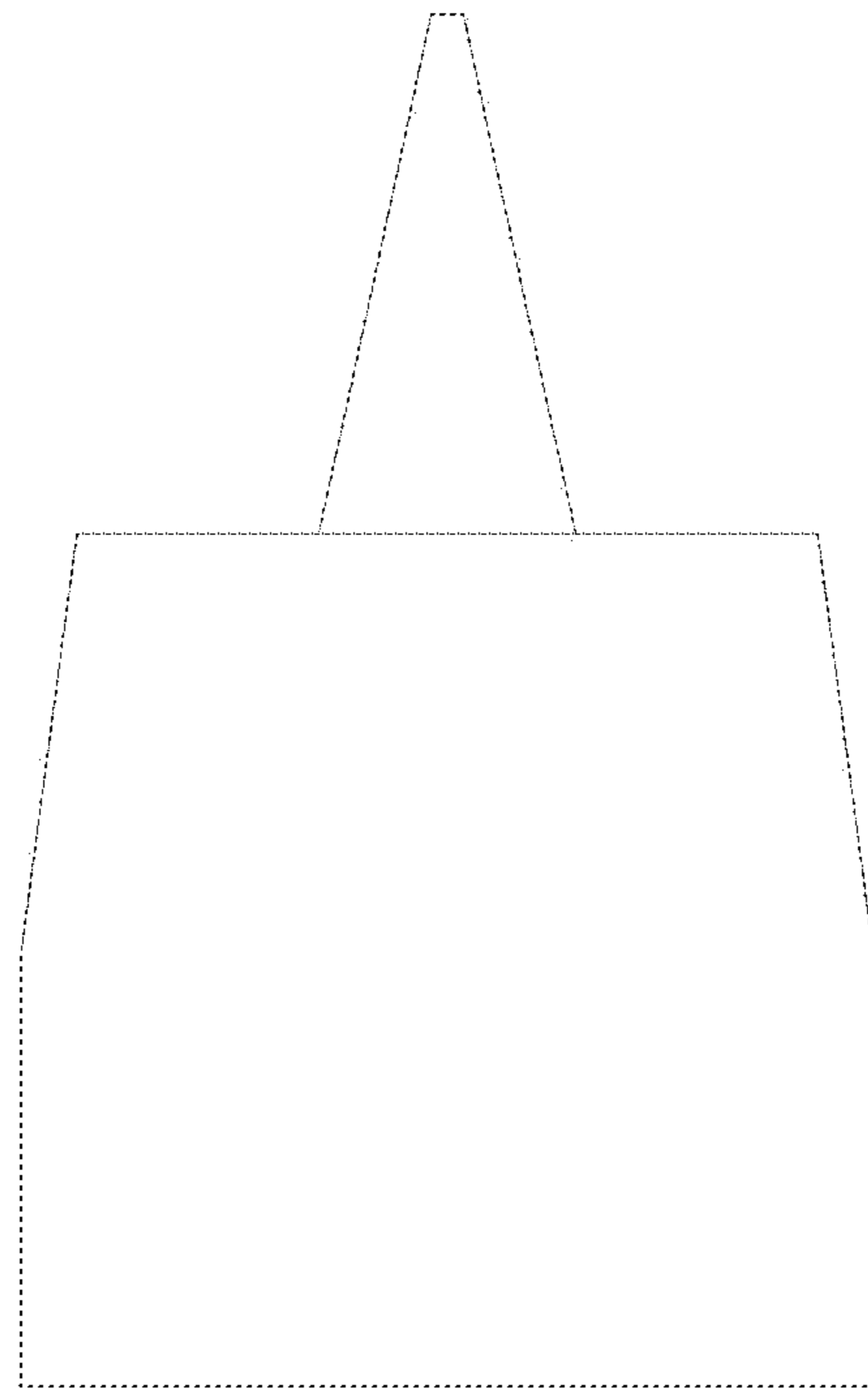


FIG - 8

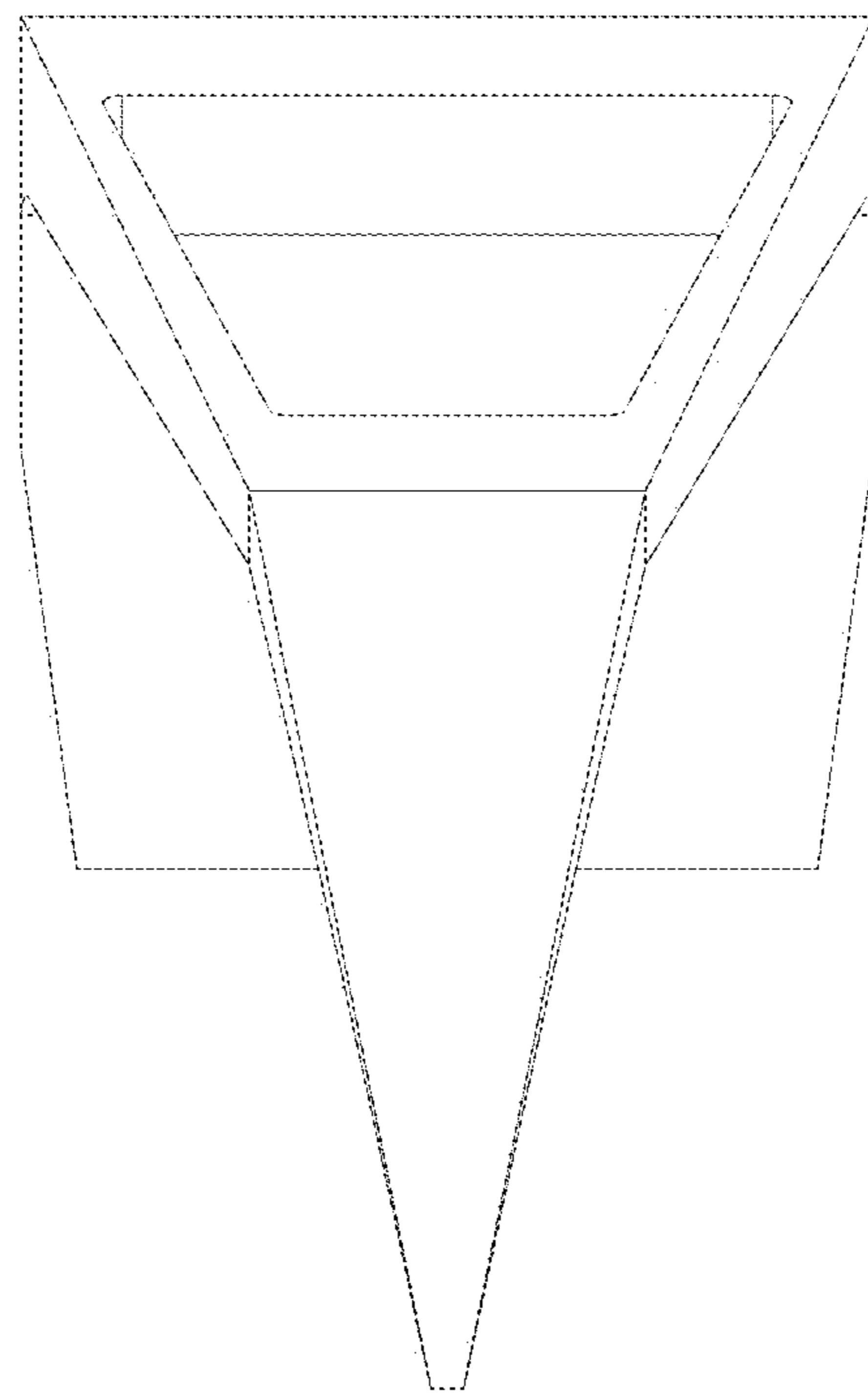


FIG - 7