



US00D963122S

(12) **United States Design Patent**
Abramson

(10) **Patent No.:** **US D963,122 S**

(45) **Date of Patent:** **** Sep. 6, 2022**

(54) **FAUCET HANDLE**

(71) Applicant: **DELTA FAUCET COMPANY,**
Indianapolis, IN (US)

(72) Inventor: **Mary Malyka Abramson,** Indianapolis,
IN (US)

(73) Assignee: **DELTA FAUCET COMPANY,**
Indianapolis, IN (US)

(**) Term: **15 Years**

(21) Appl. No.: **29/767,031**

(22) Filed: **Jan. 20, 2021**

(51) **LOC (13) Cl.** **23-01**

(52) **U.S. Cl.**
USPC **D23/252**

(58) **Field of Classification Search**
USPC D23/238–243, 249–250, 252;
D8/307–308

See application file for complete search history.

(56) **References Cited**

U.S. PATENT DOCUMENTS

D605,258 S * 12/2009 Rubin D23/238
D713,011 S * 9/2014 Schoenherr D23/252

9,328,486 B2 * 5/2016 Chong E03C 1/0404
D870,856 S * 12/2019 Tentler D23/252
D882,736 S * 4/2020 Eads D23/252
D919,764 S * 5/2021 Spangler D23/250
D921,847 S * 6/2021 Mamaril D23/252
D922,535 S * 6/2021 Lazarini D23/252
D952,799 S * 5/2022 Yang D23/252

* cited by examiner

Primary Examiner — Robert A Delehanty

(74) *Attorney, Agent, or Firm* — Nirav D. Parikh; Jeffrey
L. Doyle

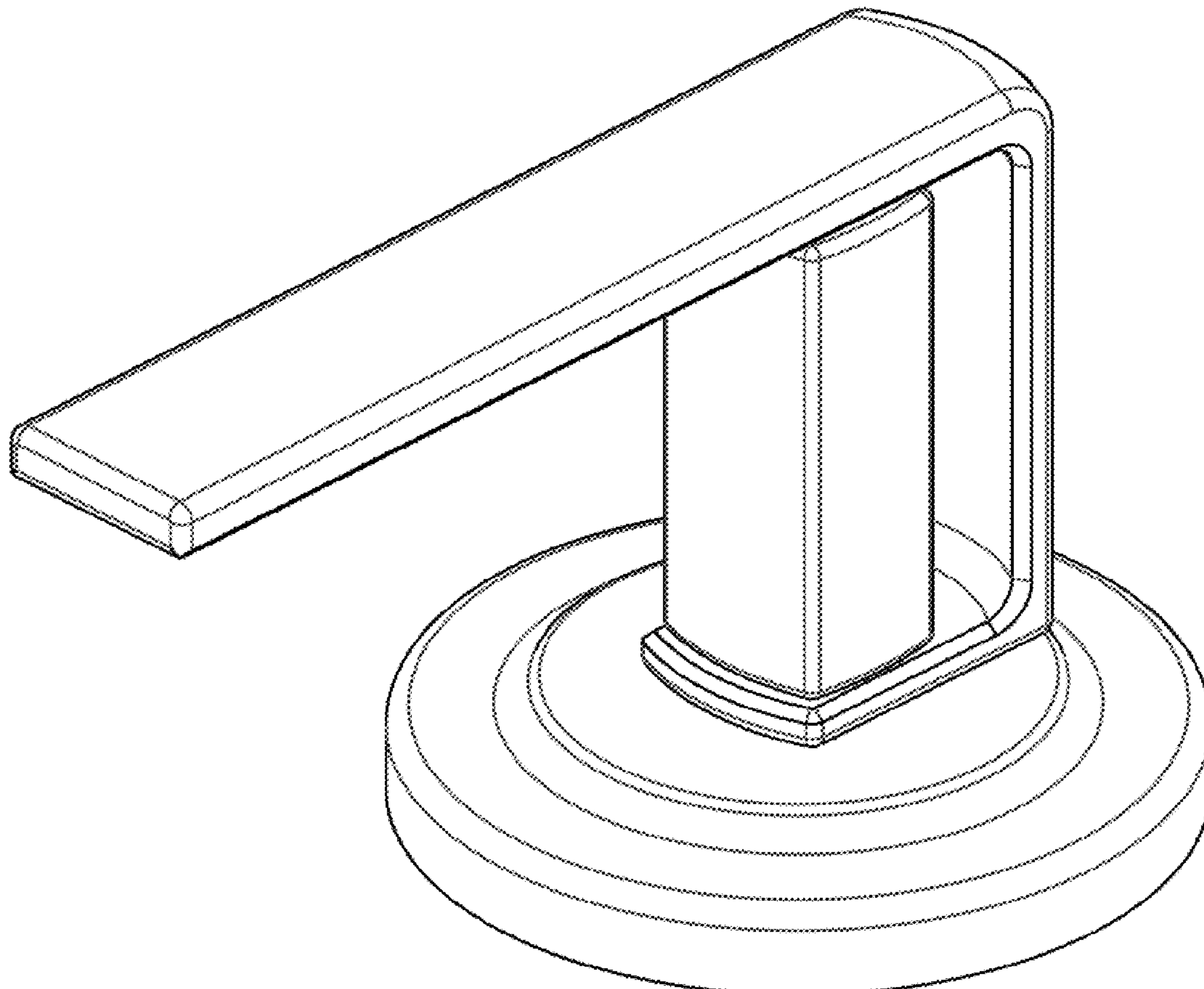
(57) **CLAIM**

The ornamental design for a faucet handle, as shown and
described.

DESCRIPTION

FIG. 1 is a front perspective view of a faucet handle showing
my new design;
FIG. 2 is a rear perspective view thereof;
FIG. 3 is a front elevational view thereof;
FIG. 4 is a left side view thereof;
FIG. 5 is a rear view thereof;
FIG. 6 is a right side view thereof;
FIG. 7 is a top plan view thereof; and,
FIG. 8 is a bottom view thereof.

1 Claim, 4 Drawing Sheets



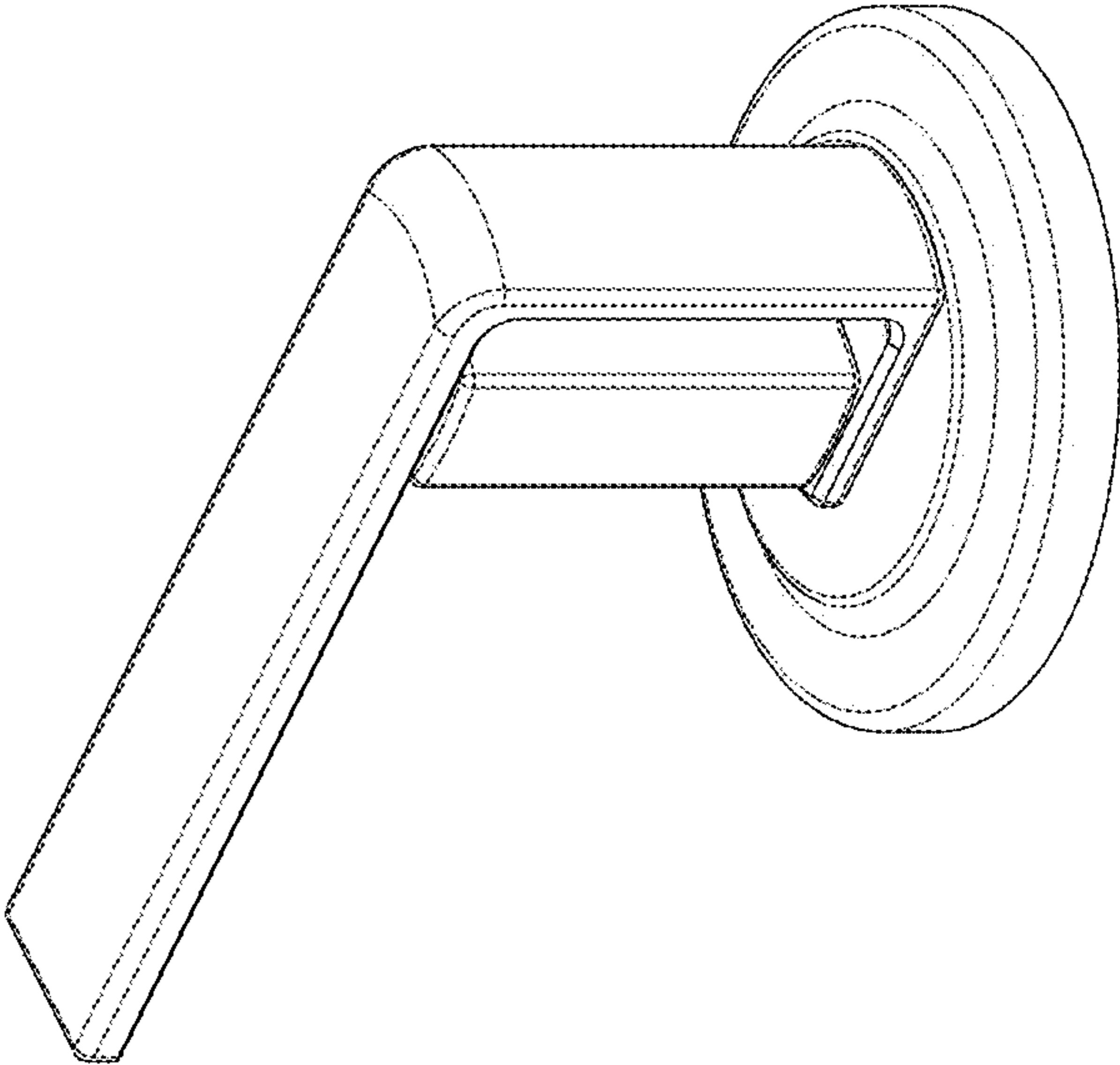


Fig. 2

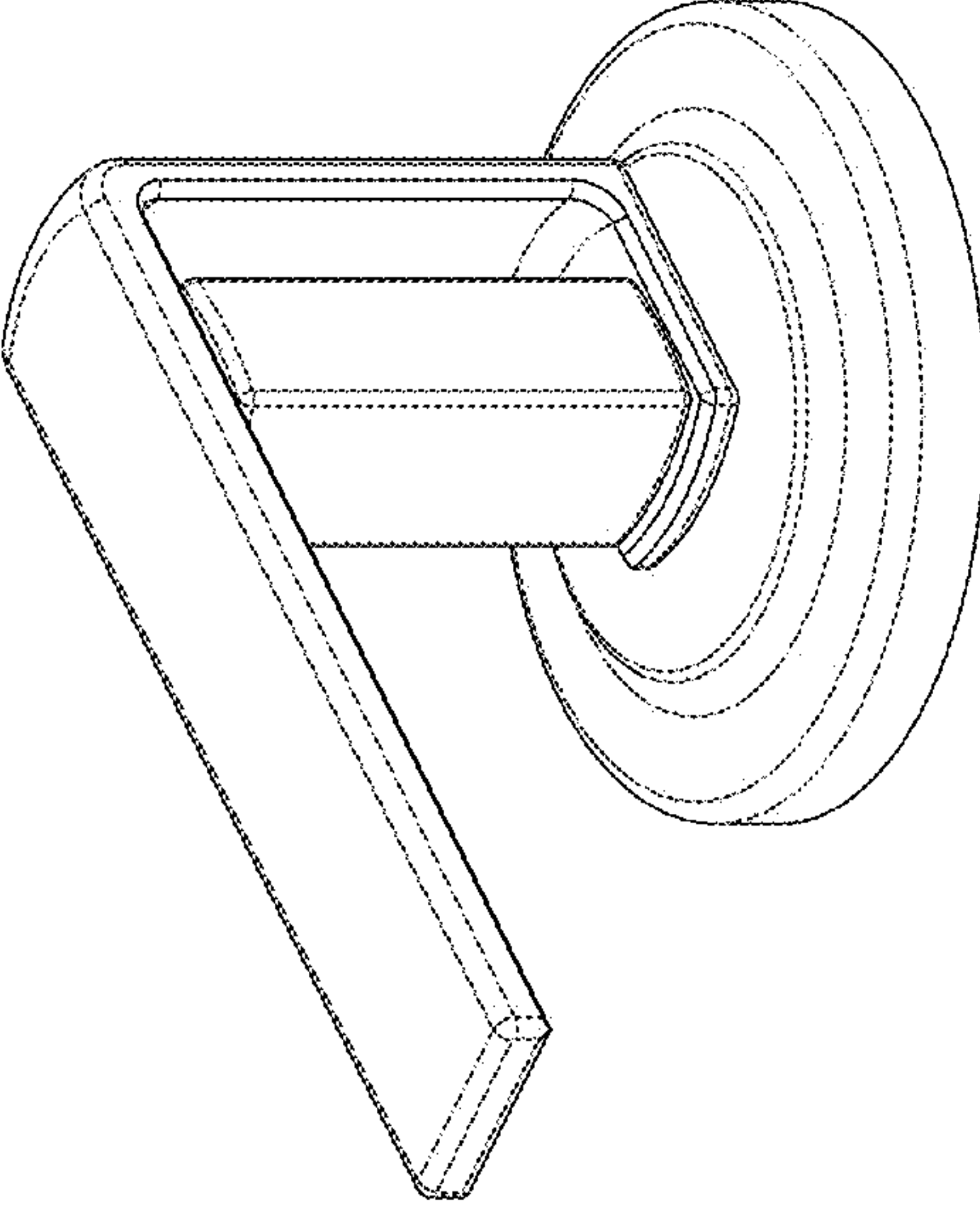


Fig. 1

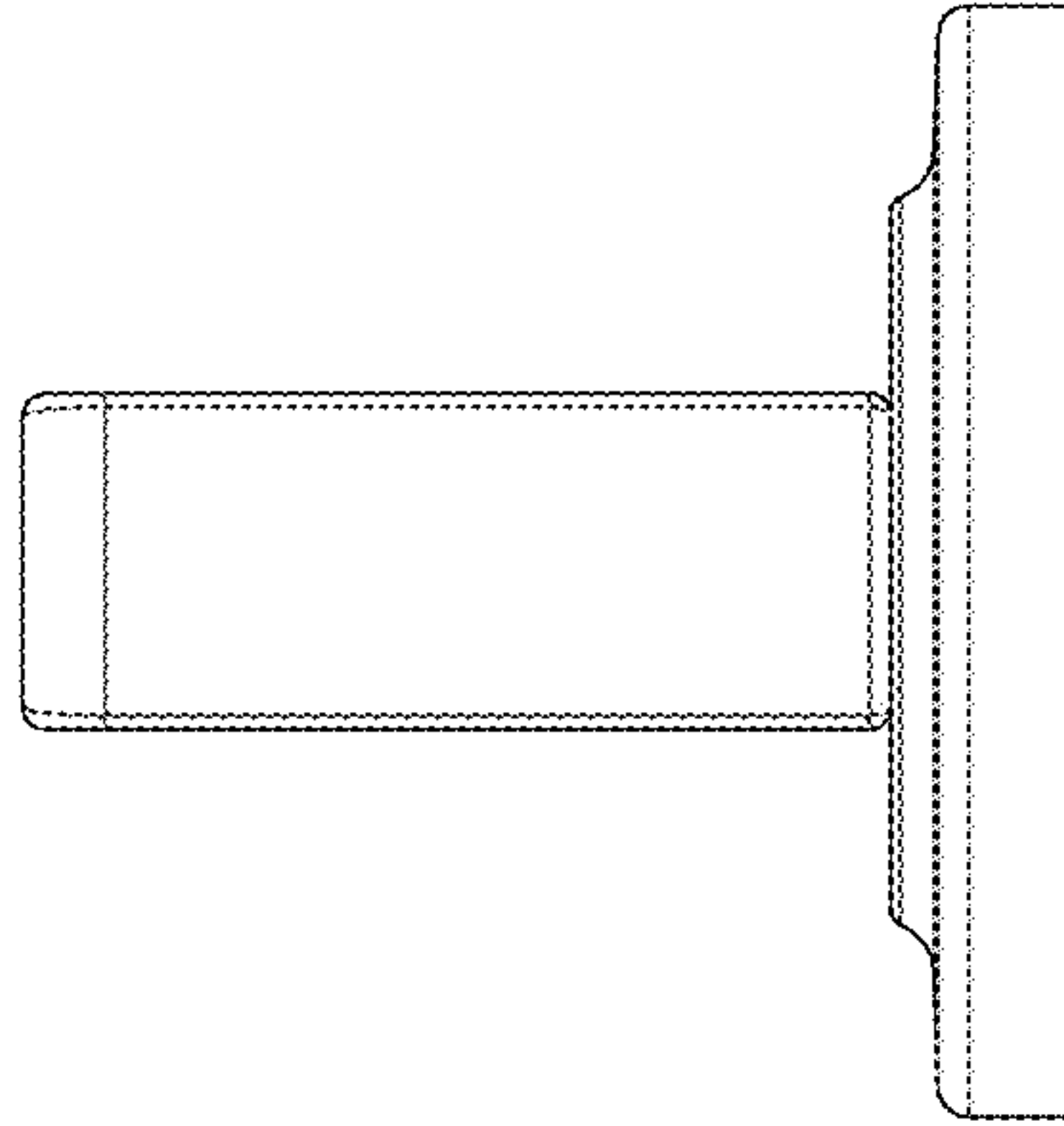


Fig. 4

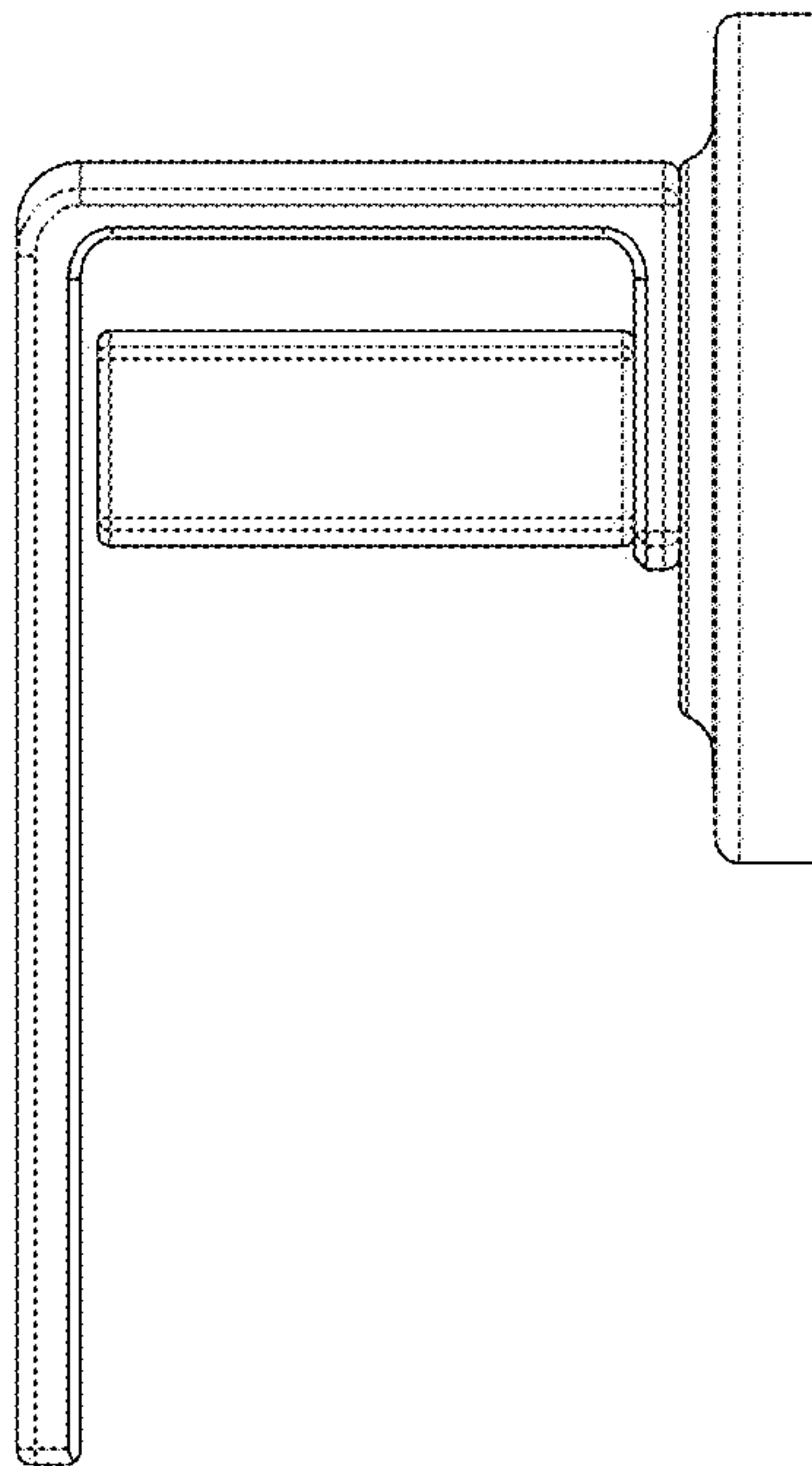


Fig. 3

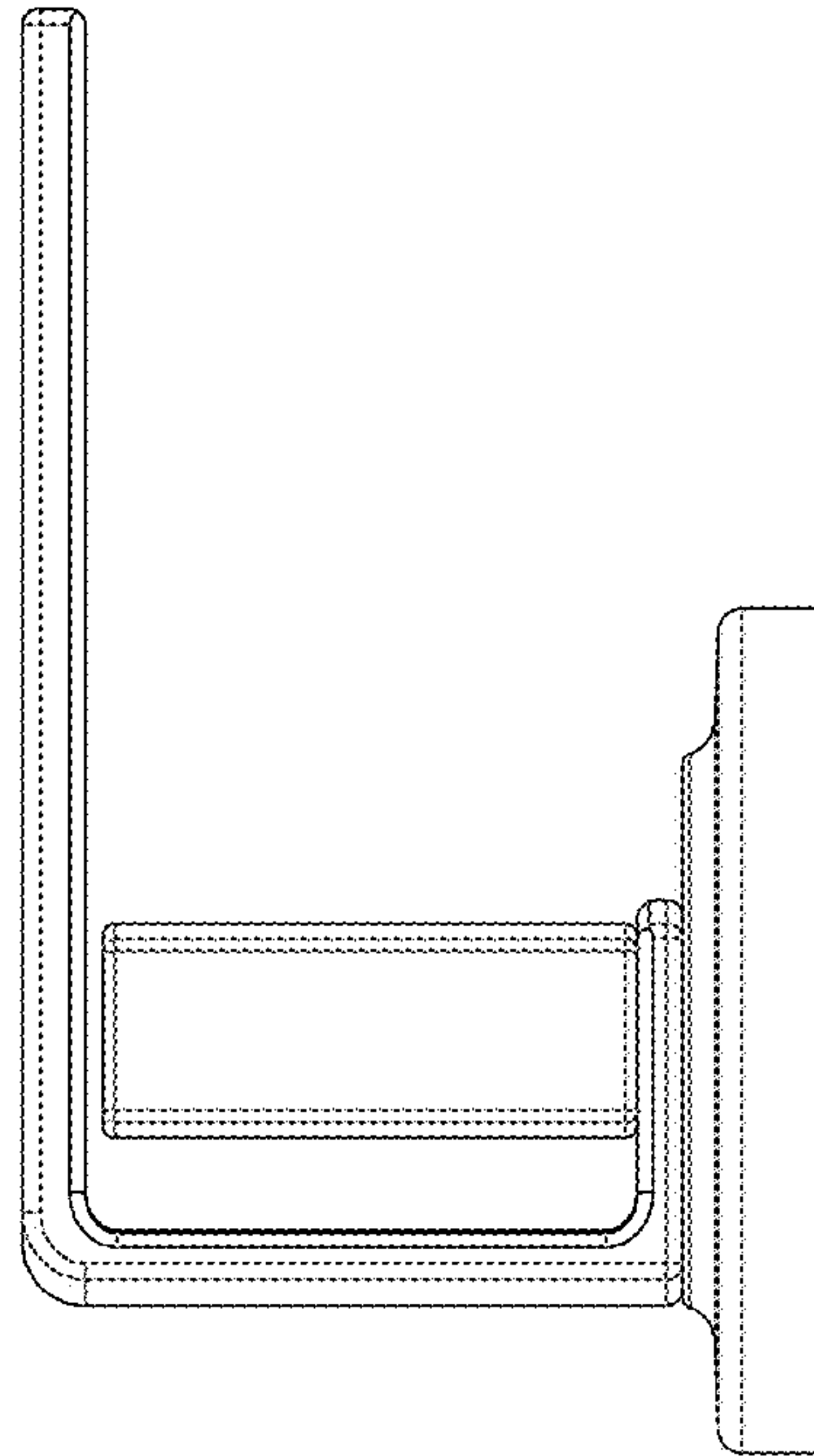


Fig. 6

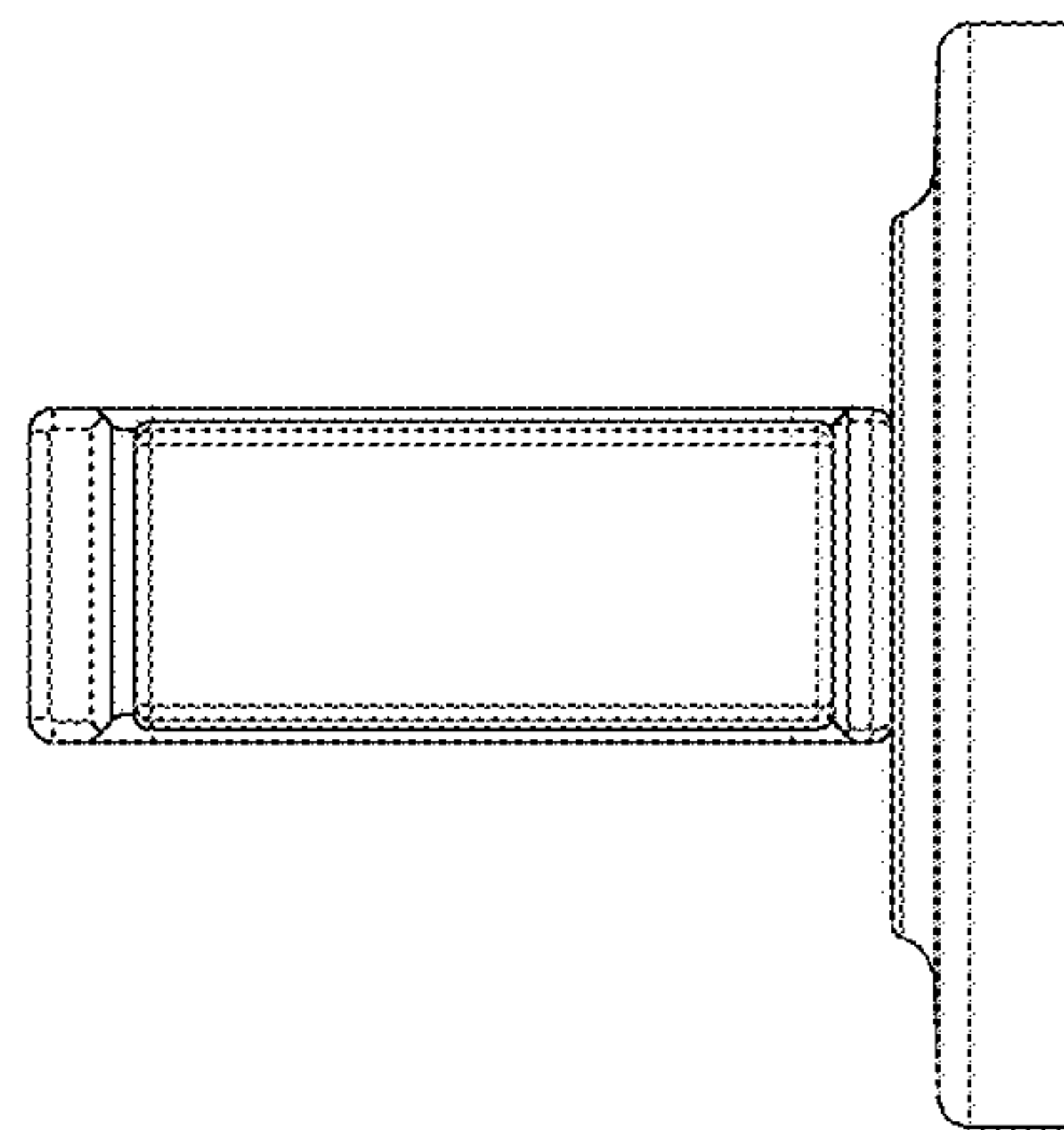


Fig. 5

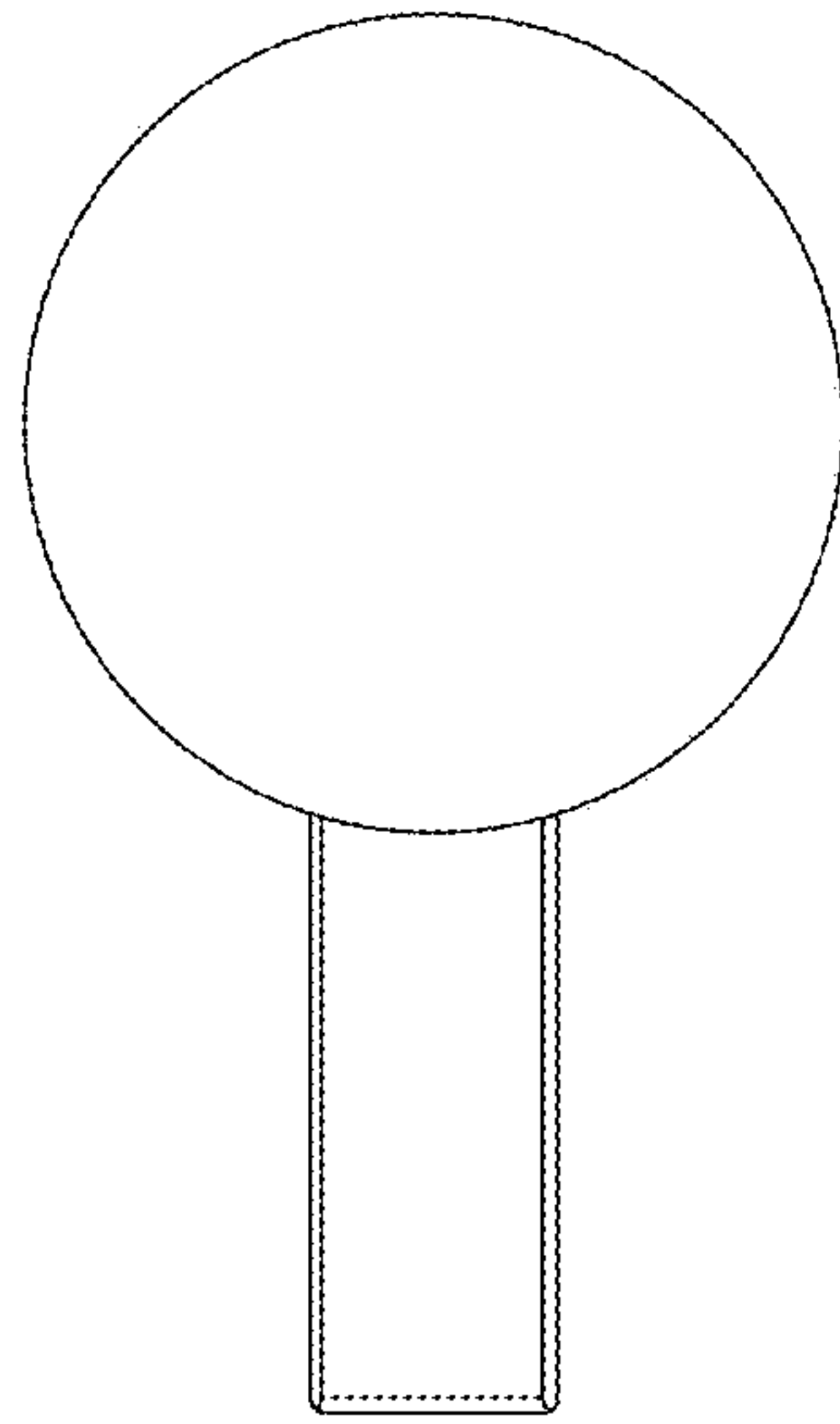


Fig. 8

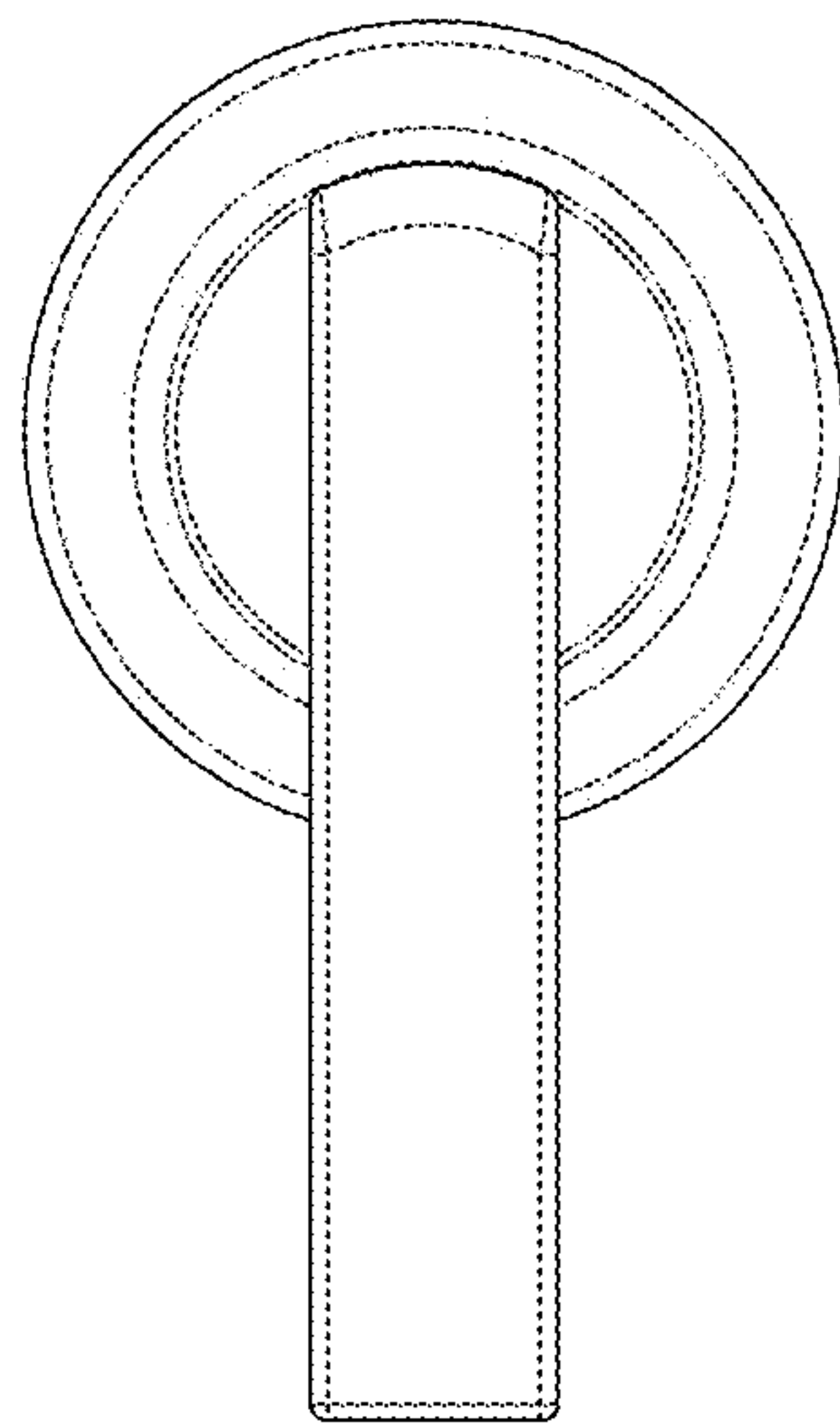


Fig. 7