



US00D963121S

(12) **United States Design Patent**
Tsai

(10) **Patent No.:** **US D963,121 S**
(45) **Date of Patent:** **** Sep. 6, 2022**

- (54) **FAUCET HANDLE**
- (71) Applicant: **GLOBE UNION INDUSTRIAL CORP., Taichung (TW)**
- (72) Inventor: **Tun-Yao Tsai, Taichung (TW)**
- (73) Assignee: **GLOBE UNION INDUSTRIAL CORP., Taichung (TW)**
- (**) Term: **15 Years**
- (21) Appl. No.: **29/766,178**
- (22) Filed: **Jan. 14, 2021**
- (51) **LOC (13) Cl.** **23-01**
- (52) **U.S. Cl.**
USPC **D23/252**
- (58) **Field of Classification Search**
USPC D23/238–243, 249–250, 252;
D8/307–308
See application file for complete search history.

9,328,486 B2 * 5/2016 Chong E03C 1/0404
 D870,856 S * 12/2019 Tentler D23/252
 D952,799 S * 5/2022 Yang D23/252

* cited by examiner

Primary Examiner — Robert A Delehanty
 (74) *Attorney, Agent, or Firm* — Leong C. Lei

(57) **CLAIM**

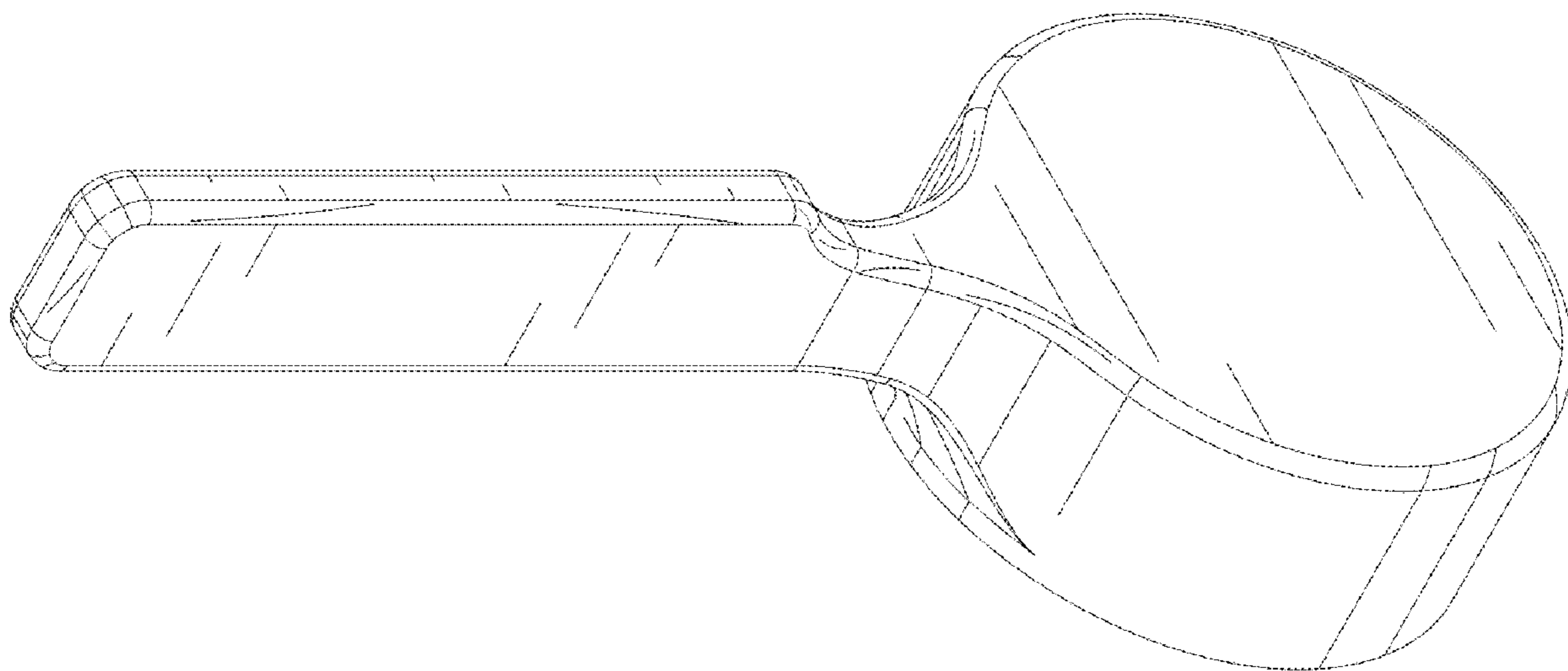
The ornamental design for a faucet handle, as shown and described.

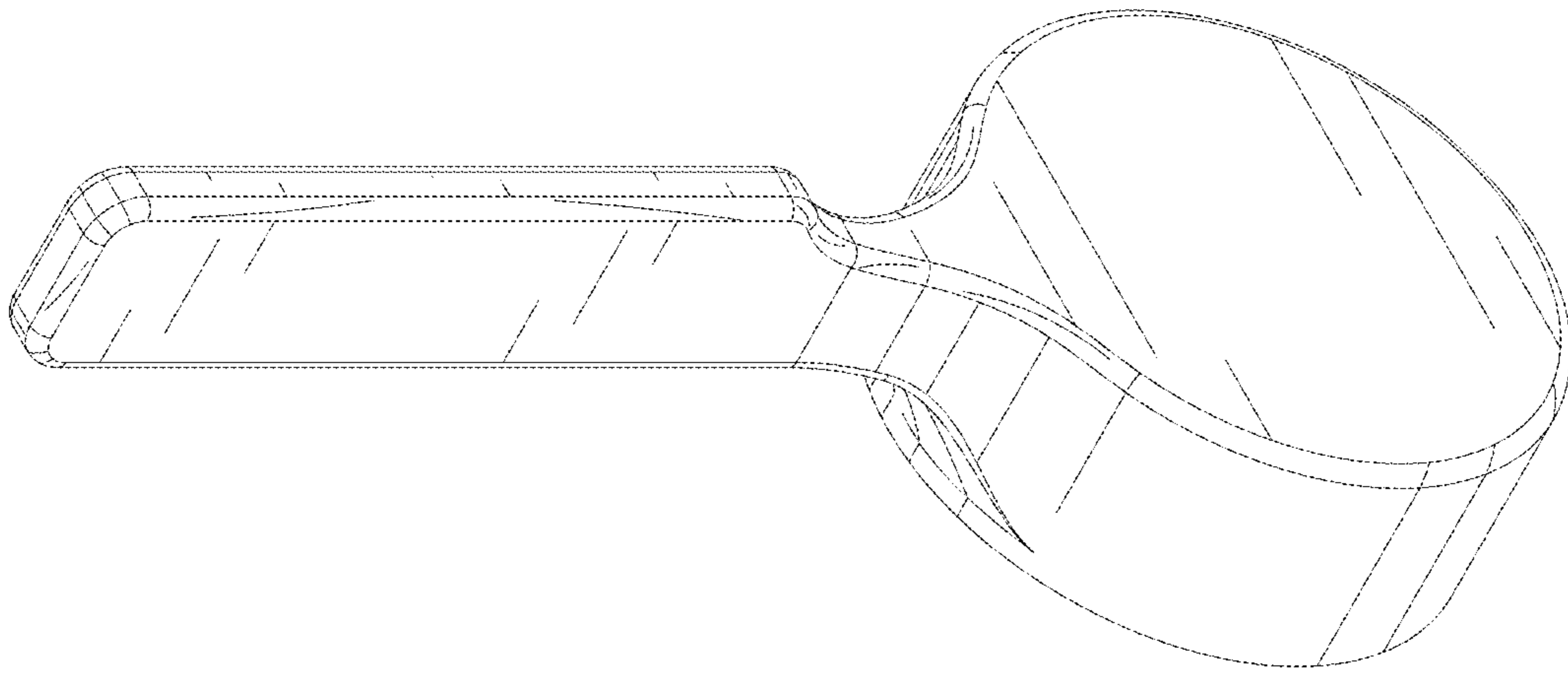
DESCRIPTION

FIG. 1 is a perspective view of a faucet handle showing my new design;
 FIG. 2 is a front elevational view thereof;
 FIG. 3 is a rear elevational view thereof;
 FIG. 4 is a left side elevational view thereof;
 FIG. 5 is a right side elevational view thereof;
 FIG. 6 is a top plan view thereof; and,
 FIG. 7 is a bottom plan view thereof.
 The portions shown in broken lines form no part of the claimed design.

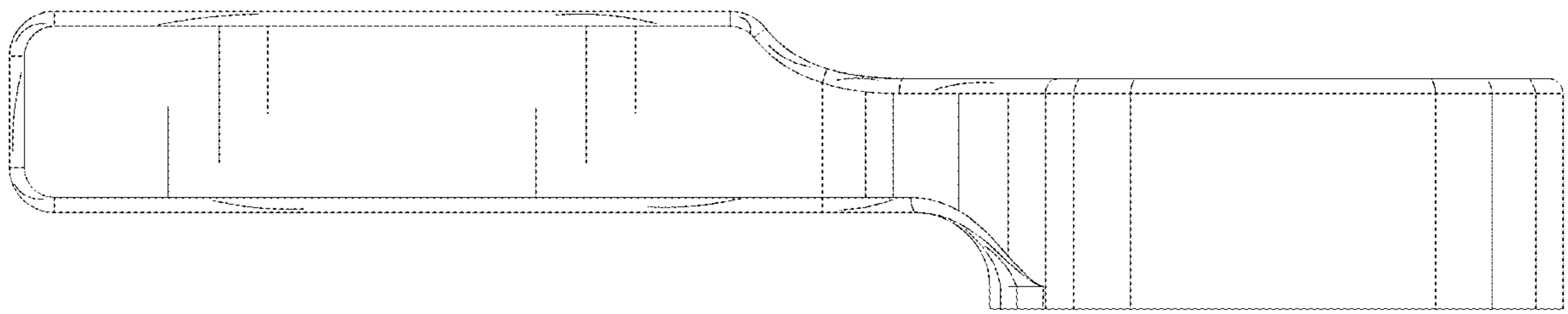
1 Claim, 7 Drawing Sheets

- (56) **References Cited**
U.S. PATENT DOCUMENTS
D605,258 S * 12/2009 Rubin D23/238
D713,011 S * 9/2014 Schoenherr D23/252





F I G. 1



F I G. 2

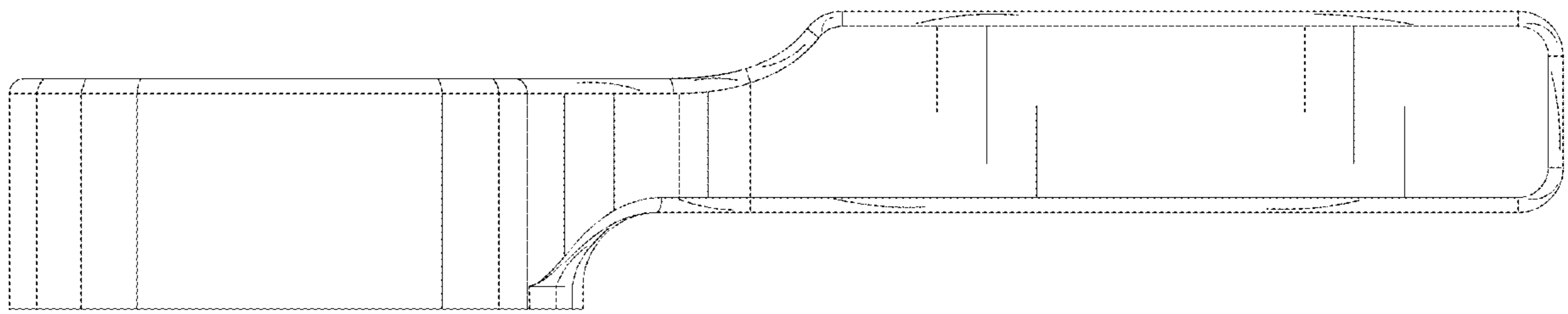


FIG. 3

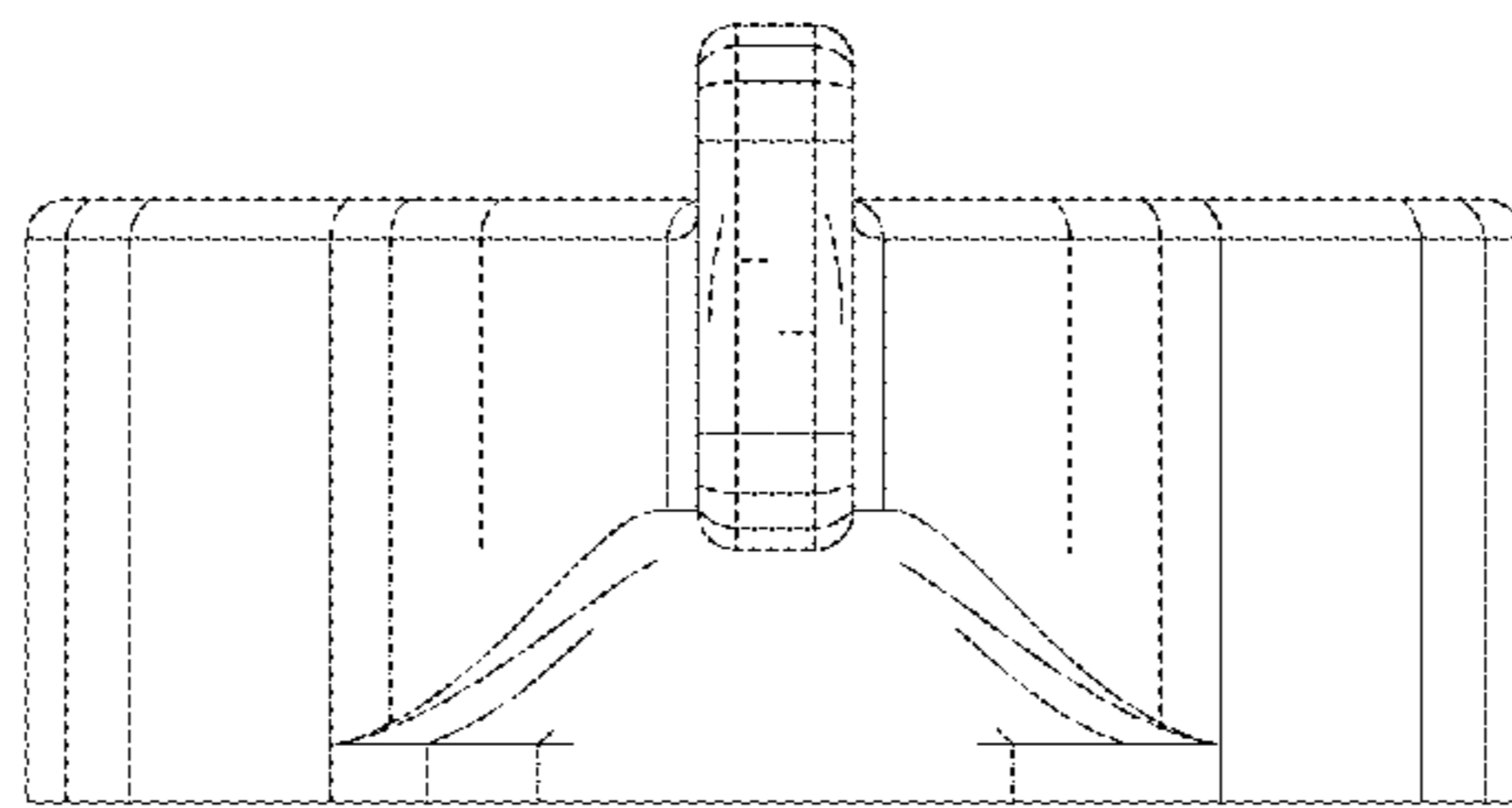


FIG. 4

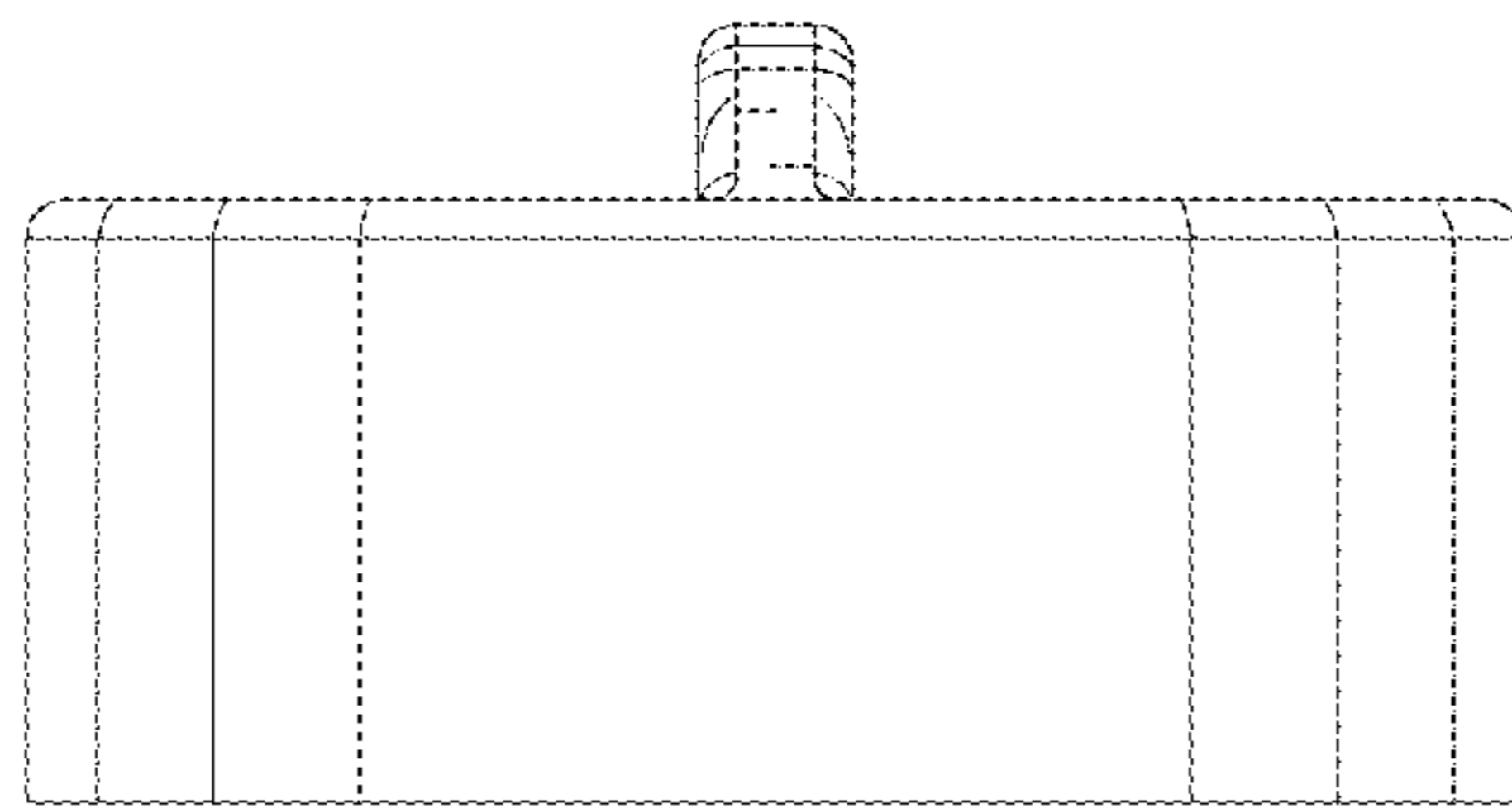
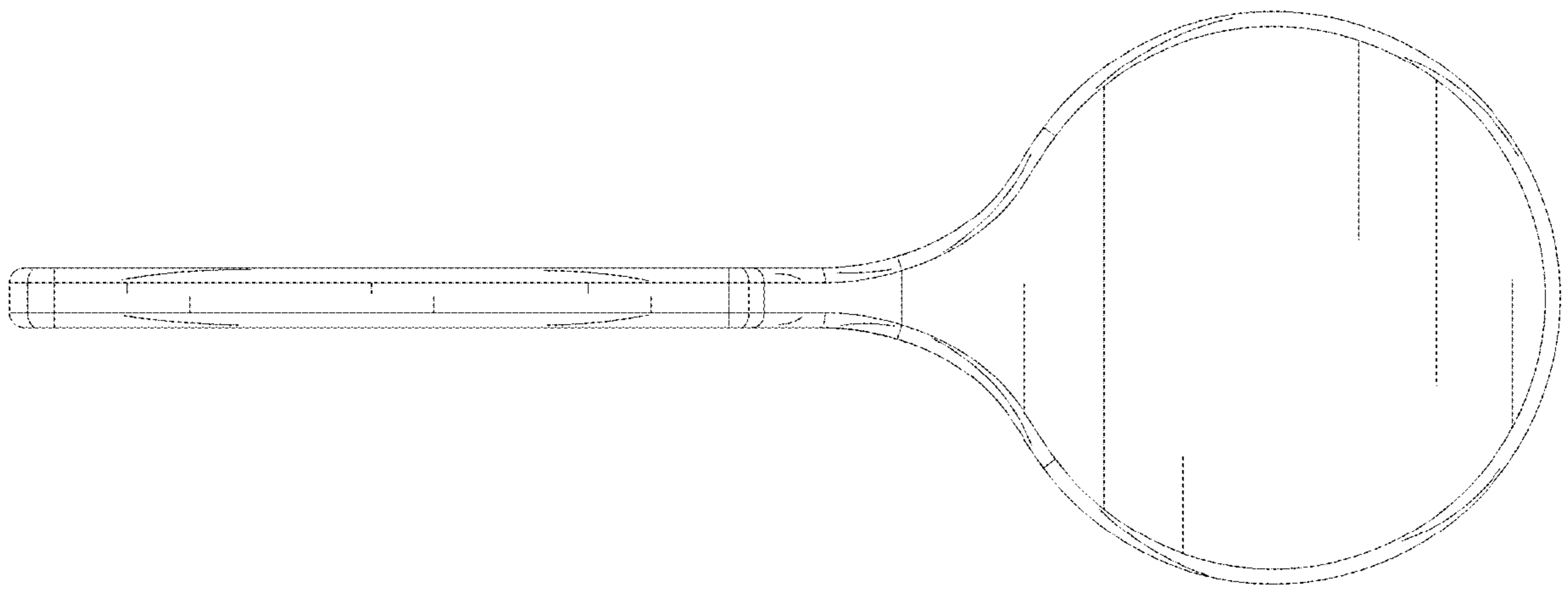
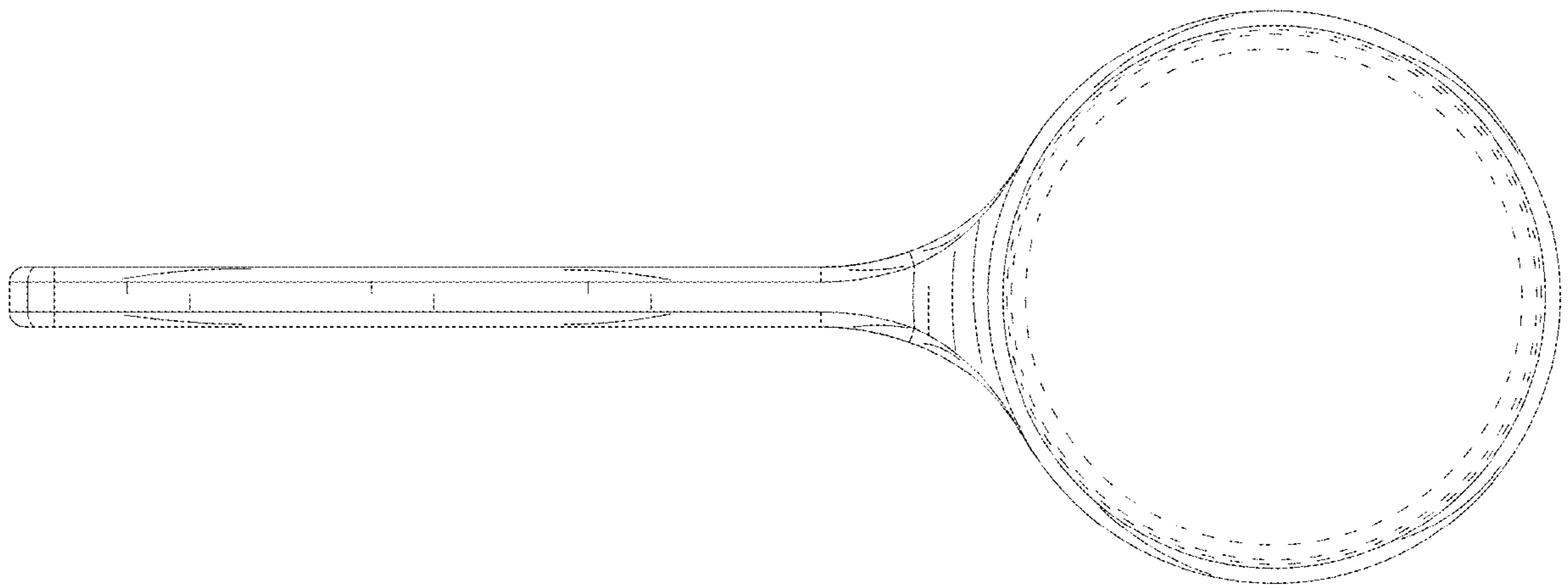


FIG. 5



F I G. 6



F I G . 7