



US00D963120S

(12) **United States Design Patent** (10) **Patent No.:** **US D963,120 S**
Spangler et al. (45) **Date of Patent:** **** Sep. 6, 2022**

(54) **FAUCET HANDLE**
(71) Applicant: **DELTA FAUCET COMPANY**,
Indianapolis, IN (US)
(72) Inventors: **Anthony G. Spangler**, Indianapolis, IN
(US); **Benjamin David Stoler**, Carmel,
IN (US)
(73) Assignee: **DELTA FAUCET COMPANY**,
Indianapolis, IN (US)

D729,350 S * 5/2015 Bahler D23/252
D795,393 S * 8/2017 Fritz D23/238
D797,255 S * 9/2017 Potter D23/252
D822,169 S * 7/2018 Spangler D23/238
D851,733 S * 6/2019 Spangler D23/252
D907,745 S * 1/2021 Stoler D23/252
D921,843 S * 6/2021 Eads D23/238
D923,146 S * 6/2021 Yang D23/238
D925,008 S * 7/2021 Stoler D23/252
D937,984 S * 12/2021 Bahler D23/252
D940,826 S * 1/2022 Lazarini D23/238

(**) Term: **15 Years**

FOREIGN PATENT DOCUMENTS

JP D2020-3328 * 2/2020

(21) Appl. No.: **29/762,600**

* cited by examiner

(22) Filed: **Dec. 17, 2020**

Primary Examiner — Samantha Wood

(51) **LOC (13) Cl.** **23-01**

(74) *Attorney, Agent, or Firm* — Nirav D. Parikh; Jeffrey L. Doyle

(52) **U.S. Cl.**

USPC **D23/252**

(58) **Field of Classification Search**

USPC D23/238, 239, 240, 241, 242, 243, 246,
D23/247, 249, 250, 251, 252, 253;
D8/300, 307, 308

CPC . E03C 1/01; E03C 1/04; E03C 1/0401; E03C
1/0402; E03C 1/0405; E03C 1/0408;
E03C 1/025; E03C 1/0409; E03C 1/0412;
Y10T 137/5339; Y10T 137/6014; Y10T
137/6021

See application file for complete search history.

(57) **CLAIM**

The ornamental design for a faucet handle, as shown and described.

DESCRIPTION

FIG. 1 is a front perspective view of a faucet handle showing our new design;
FIG. 2 is a rear perspective view thereof;
FIG. 3 is a front elevational view thereof;
FIG. 4 is a left side view thereof;
FIG. 5 is a rear view thereof;
FIG. 6 is a right side view thereof;
FIG. 7 is a top plan view thereof; and,
FIG. 8 is a bottom view thereof.

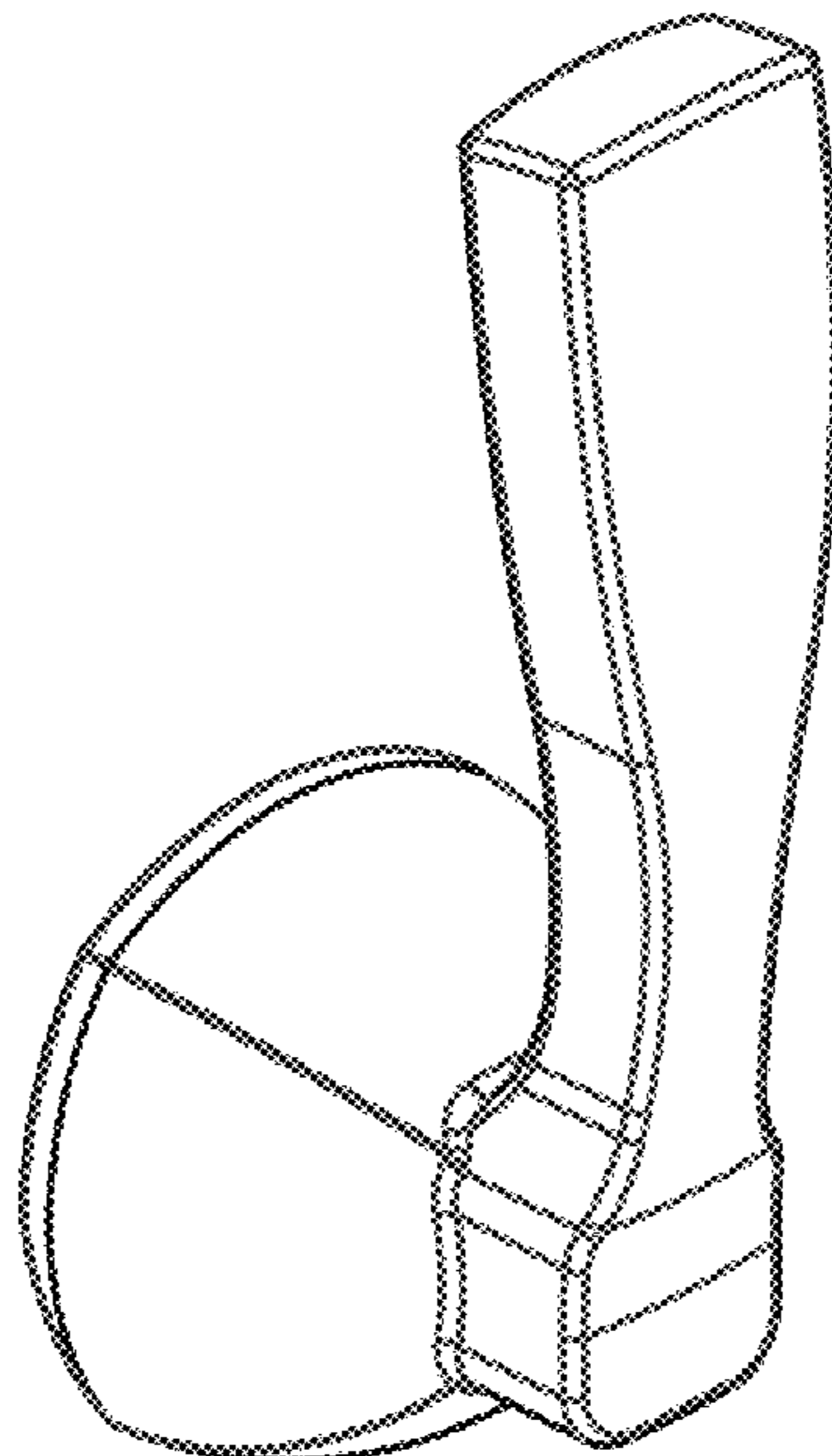
The broken lines are included for the purpose of illustrating portions of the article and forms no part of the claimed design.

(56) **References Cited**

U.S. PATENT DOCUMENTS

D518,557 S * 4/2006 Thun D23/238
D587,786 S * 3/2009 Williams D23/252
D598,984 S * 8/2009 Corbett D23/252
D600,320 S * 9/2009 Miyamoto D23/238
D648,830 S * 11/2011 Corbett D23/252
D665,480 S * 8/2012 Kwok D23/252

1 Claim, 4 Drawing Sheets



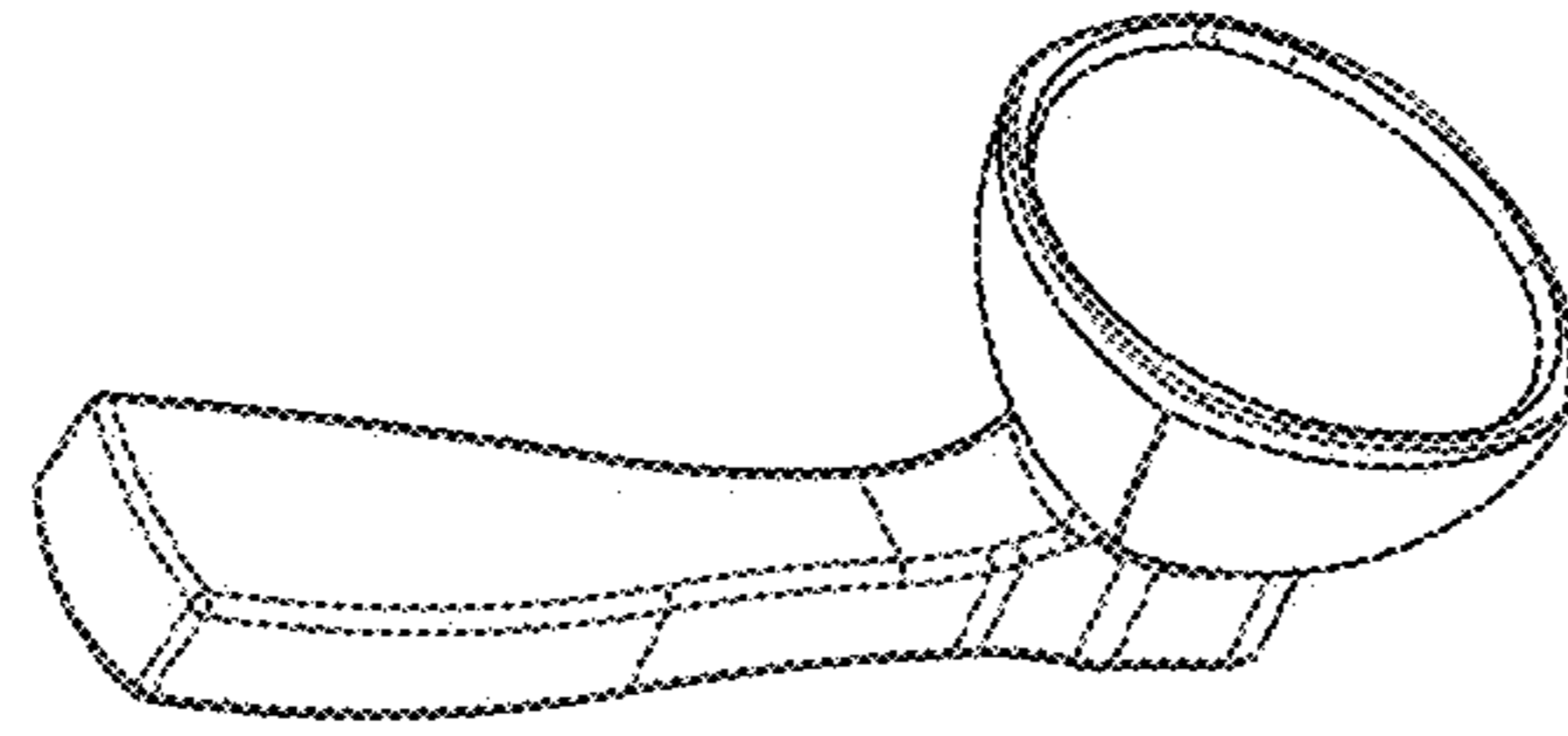


FIG - 2

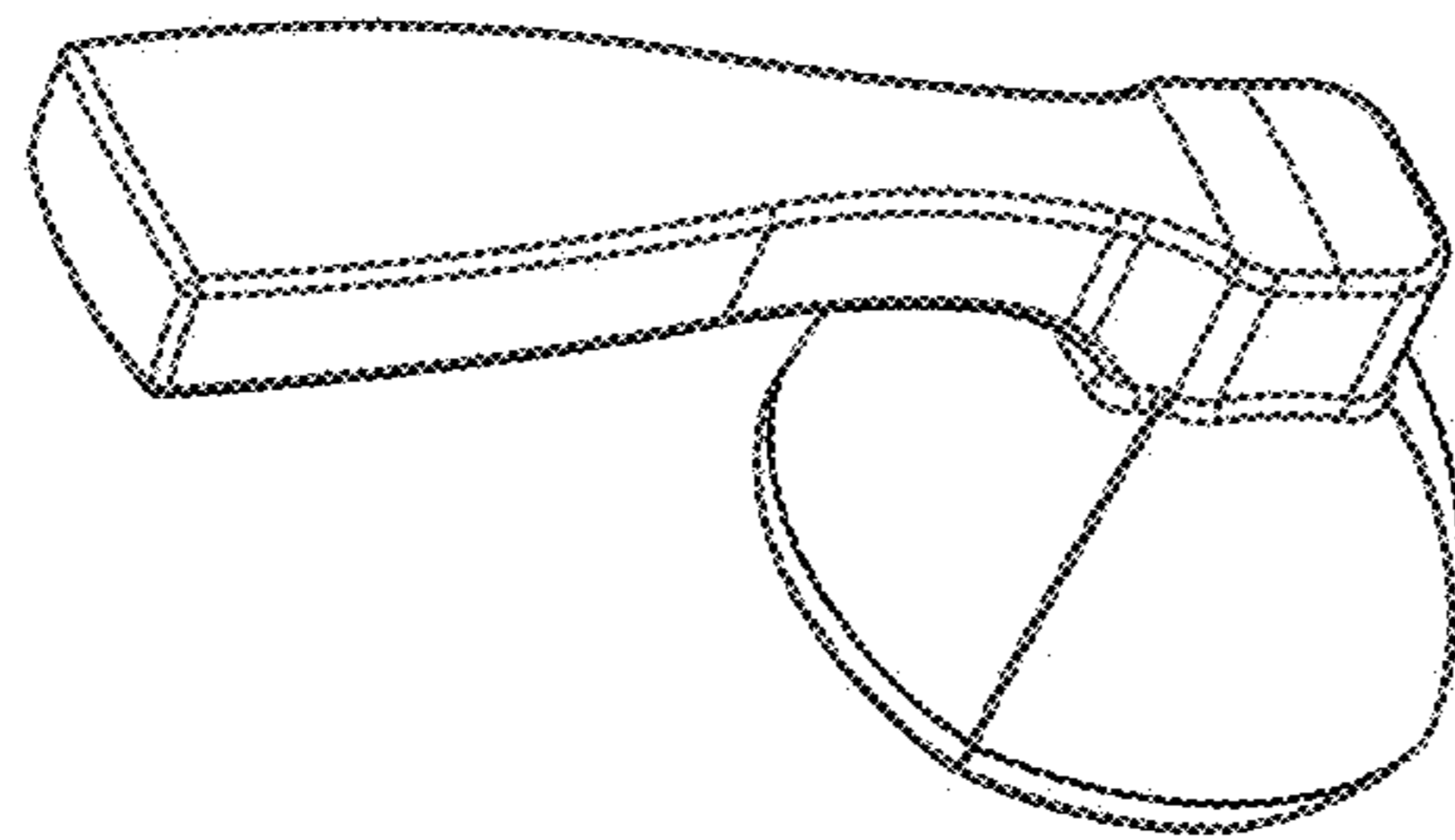


FIG - 1

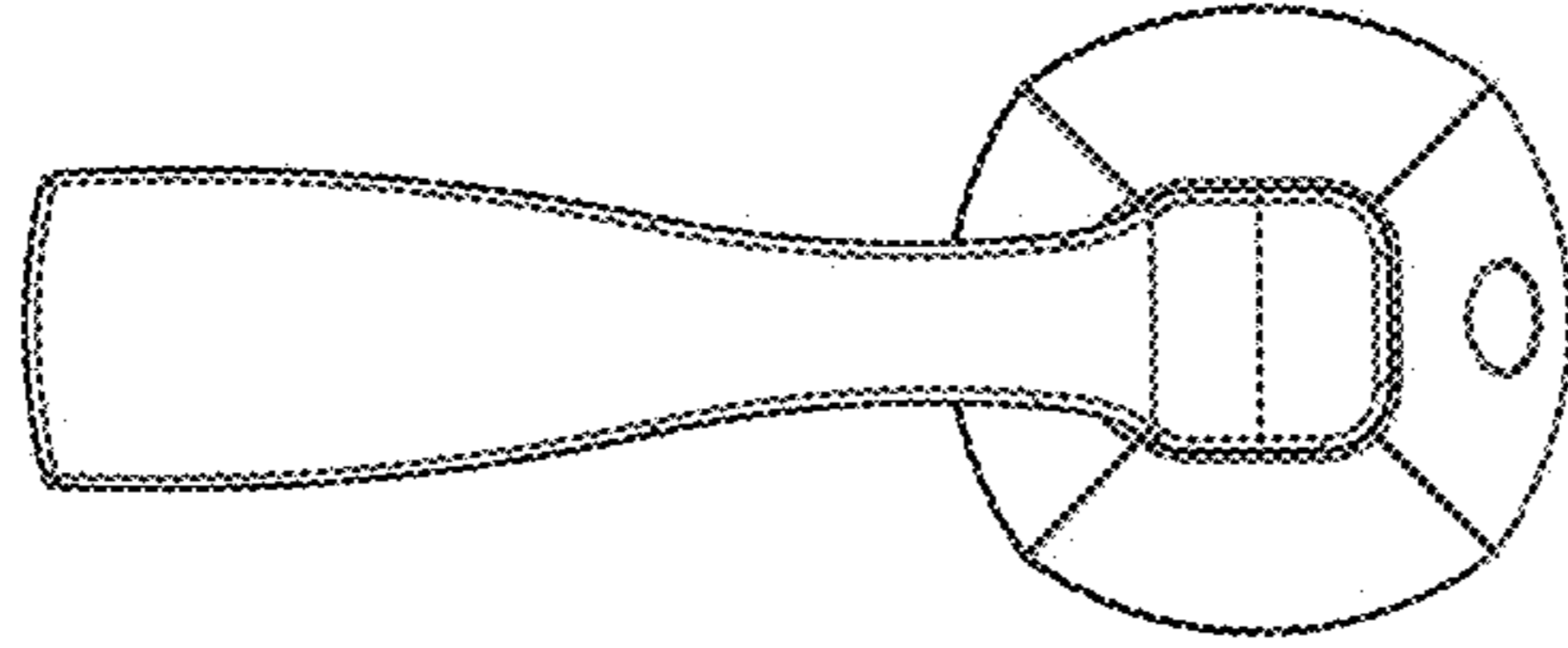


FIG - 4

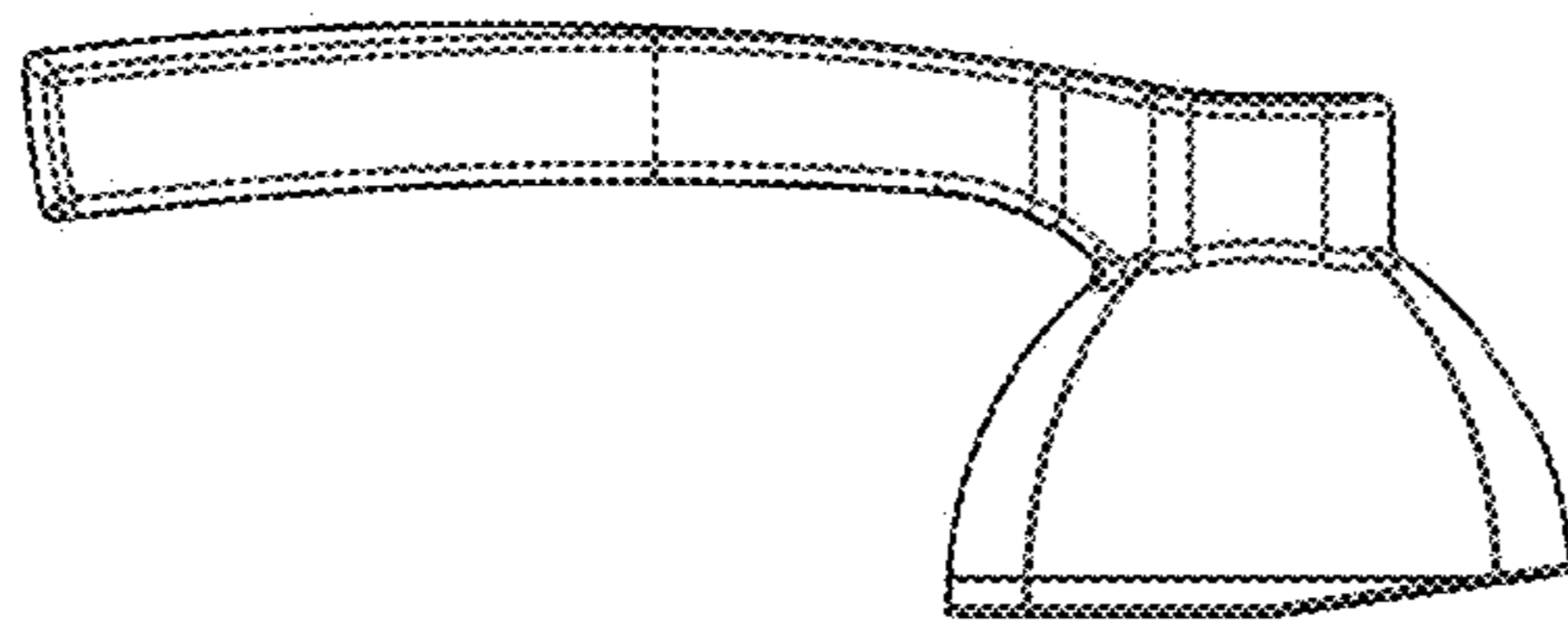


FIG - 3

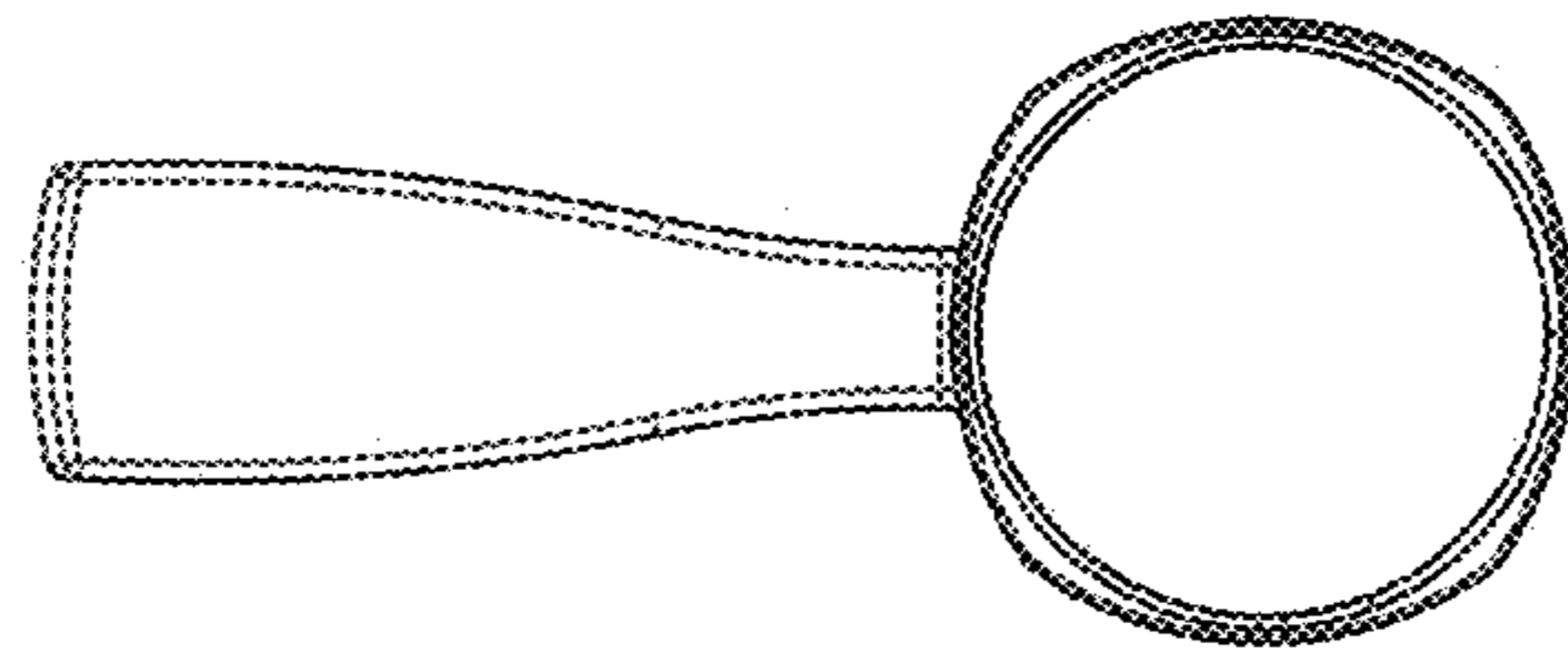


FIG - 6

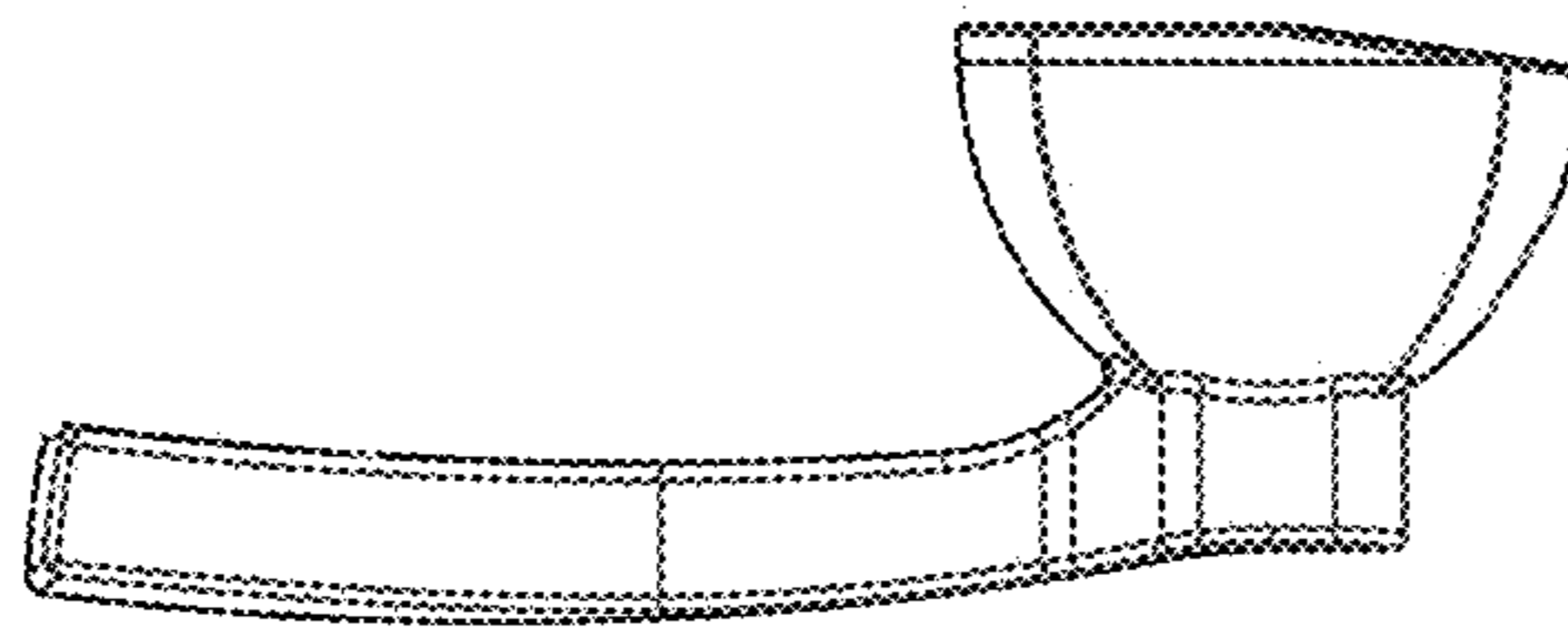


FIG - 5

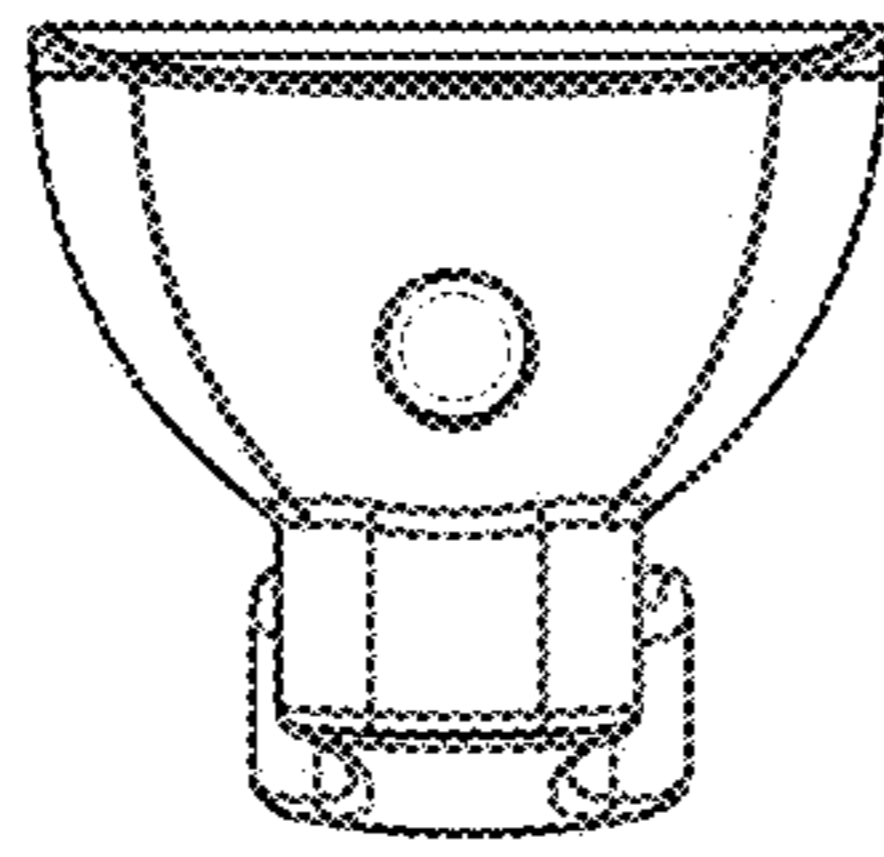


FIG - 8

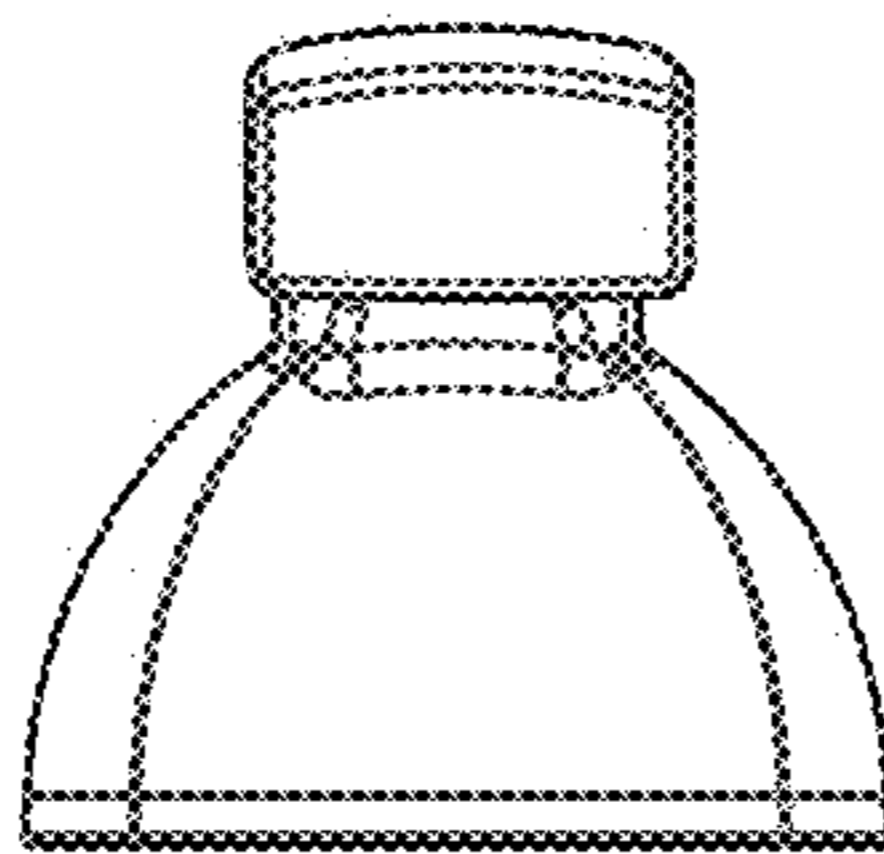


FIG - 7