



US00D963119S

(12) **United States Design Patent** (10) **Patent No.:** **US D963,119 S**
Soulier et al. (45) **Date of Patent:** **** Sep. 6, 2022**

- (54) **SHOWER CONTROLLER**
- (71) Applicant: **Kohler Co.**, Kohler, WI (US)
- (72) Inventors: **Jean-Hugues Soulier**, Vaucresson (FR);
Ferran Serra Sola, Paris (FR); **Drew Johnson**, Sheboygan, WI (US)
- (73) Assignee: **KOHLER CO.**, Kohler, WI (US)
- (**) Term: **15 Years**
- (21) Appl. No.: **29/810,591**
- (22) Filed: **Oct. 6, 2021**

D279,213 S 6/1985 Paul
 D292,820 S 11/1987 Kemp
 D310,862 S 9/1990 Strignano
 (Continued)

FOREIGN PATENT DOCUMENTS

DE 102019005946 A1 * 2/2021 E03C 1/0412

OTHER PUBLICATIONS

Amazon, Elli Women's Ring, posted Oct. 11, 2016, [online], [visited Aug. 23, 2019]. Internet, URL: [https://www.amazon.co.uk/EI li-Womens-Sterling-Silver-Plated/dp/B0 1 LPS P KCI/ref=sr_1_79?keywords=hexagon+ring&qid = 1566577892&s=gateway &sr=8-79](https://www.amazon.co.uk/EI-li-Womens-Sterling-Silver-Plated/dp/B01LPSPKCI/ref=sr_1_79?keywords=hexagon+ring&qid=1566577892&s=gateway&sr=8-79) (Year: 2016).

(Continued)

Primary Examiner — Robert A Delehanty
 (74) *Attorney, Agent, or Firm* — Foley & Lardner LLP

(57) **CLAIM**

We claim the ornamental design for a shower controller, as shown and described.

DESCRIPTION

FIG. 1 is a top, front perspective view of the claimed design; FIG. 2 is a front elevation view thereof; FIG. 3 is a top plan view thereof; FIG. 4 is a right side elevation view thereof; FIG. 5 is a left side elevation view thereof; FIG. 6 is a rear elevation view thereof; and, FIG. 7 is a bottom plan view thereof.

The ornamental design which is claimed is shown in solid lines in the drawings. The broken lines in the drawings are for illustrative purposes only and form no part of the claimed design. Broken lines formed by equal length dashes show unclaimed subject matter. Broken lines formed by unequal length dashes (i.e., dash-dot) define bounds of the claimed design.

1 Claim, 4 Drawing Sheets

Related U.S. Application Data

- (62) Division of application No. 29/753,305, filed on Sep. 30, 2020, now Pat. No. Des. 935,003, which is a division of application No. 29/641,459, filed on Mar. 22, 2018, now Pat. No. Des. 901,638, which is a division of application No. 29/595,290, filed on Feb. 27, 2017, now Pat. No. Des. 823,440.

(51) **LOC (13) Cl.** **23-01**

(52) **U.S. Cl.**
USPC **D23/250**

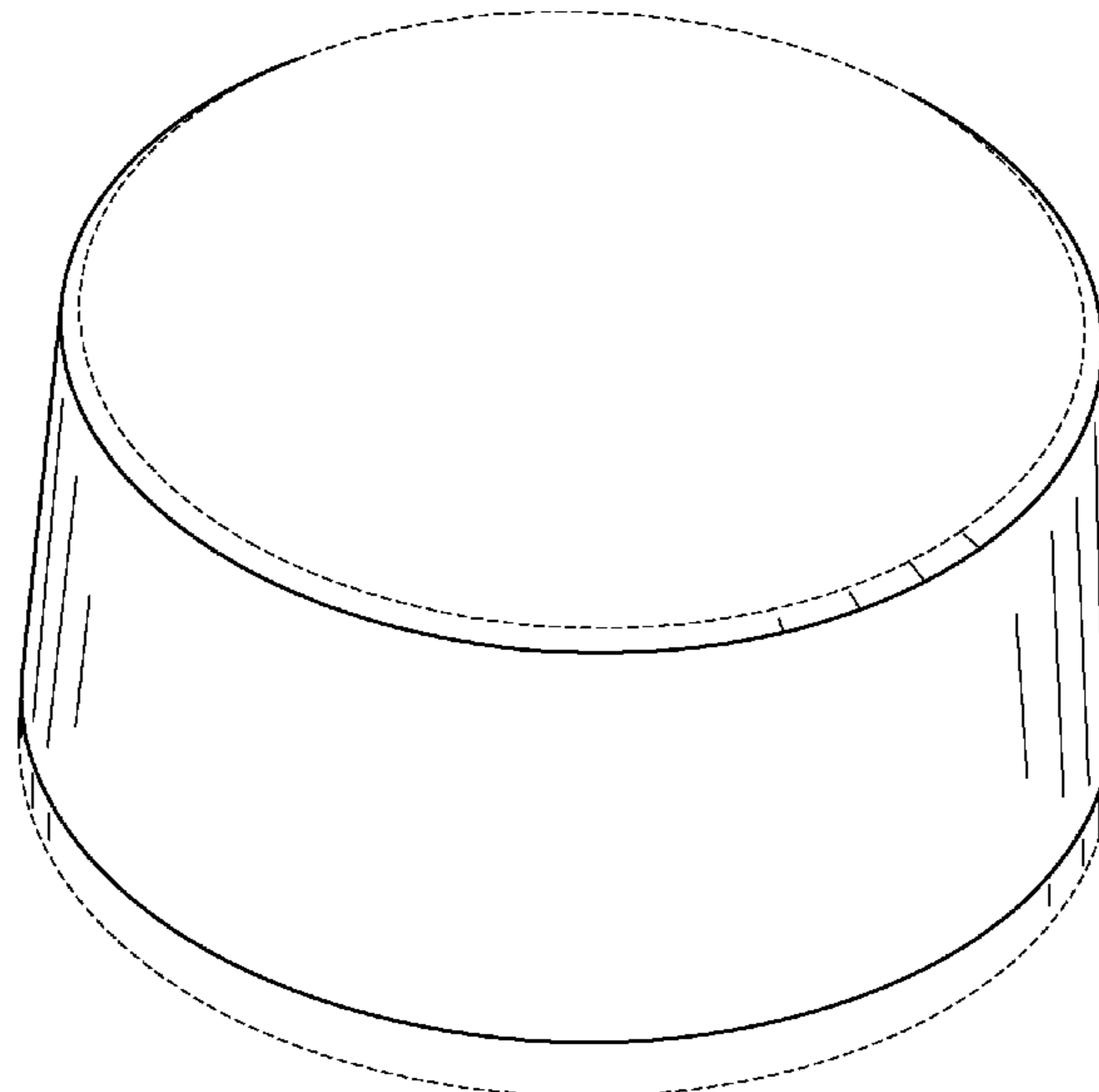
(58) **Field of Classification Search**
 USPC D23/250–252, 254; D8/307–308
 CPC Y10T 137/9464; Y10T 137/6014; Y10T 137/6017

See application file for complete search history.

(56) **References Cited**

U.S. PATENT DOCUMENTS

D59,314 S 10/1921 Winsen
 D63,931 S 2/1924 Bowden
 D110,995 S 8/1938 Bellem, Jr.
 D127,734 S 6/1941 Dreyfuss
 D254,265 S 2/1980 Karamian
 4,499,630 A 2/1985 Harris



(56)

References Cited

U.S. PATENT DOCUMENTS

D310,865 S 9/1990 Strignano
 D311,438 S 10/1990 Strignano
 D312,495 S 11/1990 Joerger
 D354,548 S 1/1995 Bollenbacher et al.
 D377,337 S 1/1997 Schaeffer
 D441,059 S 4/2001 Fleischmann
 D441,844 S 5/2001 Fleischmann
 D441,845 S 5/2001 Fleischmann
 D442,263 S 5/2001 Warshawsky et al.
 D454,513 S 3/2002 Gueit
 D462,421 S 9/2002 Hundley
 D466,977 S 12/2002 Cummings
 D467,489 S 12/2002 Rubinson
 D469,157 S 1/2003 Lobermeier
 D479,309 S 9/2003 Haug et al.
 D487,586 S 3/2004 Haug et al.
 D487,924 S 3/2004 Lin
 D490,881 S 6/2004 Lin
 D513,060 S 12/2005 Ouyoung
 D516,677 S 3/2006 Haug et al.
 D526,883 S 8/2006 Gilbert
 D527,794 S 9/2006 Sieger
 D528,189 S 9/2006 Kulig
 D531,277 S 10/2006 Tsai
 D531,698 S 11/2006 Wood et al.
 D531,702 S 11/2006 Haug et al.
 D535,725 S 1/2007 Chu et al.
 D536,065 S 1/2007 Wang
 D541,383 S 4/2007 Green
 D541,909 S 5/2007 Schonherr et al.
 D542,384 S 5/2007 Starck
 D543,609 S 5/2007 Dolan
 D548,563 S 8/2007 Hoernig
 D564,073 S 3/2008 Shieh
 D568,447 S 5/2008 Lai
 D568,715 S 5/2008 Gustafson et al.
 D571,893 S 6/2008 Celli
 D580,014 S 11/2008 Citterio
 D581,026 S 11/2008 Citterio
 D581,494 S 11/2008 Dolan et al.
 D584,798 S 1/2009 Zetsche et al.
 D584,799 S 1/2009 Zetsche et al.
 D592,284 S 5/2009 Lammel et al.
 D592,733 S 5/2009 Lammel et al.
 D594,934 S 6/2009 Vu et al.
 D597,175 S 7/2009 Kulig
 D597,632 S 8/2009 Obara et al.
 D598,072 S 8/2009 Zetsche et al.
 D602,570 S 10/2009 Lammel et al.
 D603,022 S 10/2009 Schonherr
 D608,863 S 1/2010 Pan
 D615,162 S 5/2010 Pan
 D622,820 S 8/2010 Bouroullec et al.
 D624,991 S 10/2010 Kulig
 D627,858 S 11/2010 Hanna
 D627,861 S 11/2010 Sandee
 D631,726 S 2/2011 Sanchez
 D635,651 S 4/2011 Schonherr et al.
 D636,061 S 4/2011 Kulig
 D636,062 S 4/2011 Rubin et al.
 D637,271 S 5/2011 Lin
 D641,456 S 7/2011 Bickerstaffe et al.
 D643,095 S 8/2011 Matsuura et al.
 D644,912 S 9/2011 Benhold
 D655,786 S 3/2012 Fukasawa
 D666,276 S 8/2012 Fritz
 D673,652 S 1/2013 Thomas
 D676,531 S 2/2013 Vibe-Petersen
 D697,589 S 1/2014 Georgeson
 D698,420 S 1/2014 Hahn
 D704,802 S 5/2014 Hahn et al.
 D705,892 S 5/2014 Standefer et al.
 D713,008 S 9/2014 Citterio
 D713,236 S 9/2014 Park
 D714,915 S 10/2014 Von Der Lancken et al.

D722,259 S 2/2015 Conner
 D724,698 S 3/2015 Kulig
 D726,883 S 4/2015 Flowers et al.
 D735,297 S 7/2015 Sieger
 D750,203 S 2/2016 Flowers et al.
 D754,295 S 4/2016 Lord
 D755,350 S 5/2016 Rexach
 D755,352 S 5/2016 Mitsuoka
 D758,545 S 6/2016 Yabu et al.
 D761,387 S 7/2016 Yabu et al.
 D767,724 S 9/2016 Flowers et al.
 D769,417 S 10/2016 Rexach
 D771,224 S 11/2016 Flowers et al.
 D772,037 S 11/2016 Zimmer
 D781,126 S 3/2017 Pionek
 D786,406 S 5/2017 Schoenherr et al.
 D787,020 S 5/2017 Ziemann et al.
 D787,638 S 5/2017 Schoenherr et al.
 D793,534 S 8/2017 Fritz
 D803,989 S 11/2017 Flowers et al.
 D807,476 S 1/2018 Haug et al.
 D811,529 S 2/2018 Schoenherr et al.
 D811,532 S 2/2018 Schoenherr et al.
 D811,552 S 2/2018 Fritz
 D813,988 S 3/2018 Schoenherr et al.
 D813,990 S 3/2018 Schoenherr et al.
 D820,238 S 6/2018 Boshernitzan
 D827,456 S 9/2018 Seum
 D855,762 S 8/2019 Stuart
 D879,055 S 3/2020 Altonen
 D882,891 S 4/2020 Ayers
 D890,754 S * 7/2020 Raken D14/388
 D937,980 S 12/2021 Williams et al.
 11,306,831 B2 4/2022 Johnston
 2022/0056677 A1 2/2022 Kam
 2022/0095848 A1 3/2022 Wu et al.
 2022/0136221 A1 5/2022 Wu

OTHER PUBLICATIONS

Amazon, JewelryWE Multi faceted ring, posted Jul. 13, 2013, [online], [visited Aug. 23, 2019]. Internet, URL: <https://www.amazon.co.uk/JewelryWe-Arrivals-Comfort-Faceted-Engagement/dp/B00DU9FOU> E/ref=cm_cr_arp_d_pdt_img_top?ie=UTF8 (Year: 2013).
 Amazon, Tioneer Multi-faceted wedding band, posted Oct. 24, 2012, [online], [visited Aug. 23, 2019]. Internet, URL: https://www.amazon.co.uk/Tungsten-Carbide-Polish-Multi-Faceted-Wedding/dp/B005IRP244/ref=cm_cr_arp_d_pdt_img_top?ie=UTF8 (Year: 2012).
 Hotel Management, Classy faucet: The Wheel by Waterstone, posted Sep. 29, 2016, [online], [visited Aug. 23, 2019]. Internet, URL: <https://www.hotelmanagement.net/design-trends/classy-faucet-wheel-by-waterstone> (Year: 2016).
 Non-Final Office Action on U.S. Appl. No. 29/641,526 dated May 15, 2020.
 Non-Final Office Action on U.S. Appl. No. 29/658,287 dated Sep. 1, 2020.
 Non-Final Office Action on U.S. Appl. No. 29/794,354 dated Sep. 27, 2021.
 Non-Final Office Action on U.S. Appl. No. 29/641,459 dated Mar. 9, 2020 (7 pages).
 Non-Final Office Action on U.S. Appl. No. 29/658,297 dated Sep. 5, 2019 (9 pages).
 Notice of Allowance on U.S. Appl. No. 29/641,459 dated Sep. 1, 2020.
 Notice of Allowance on U.S. Appl. No. 29/641,526 dated Aug. 26, 2020.
 Notice of Allowance on U.S. Appl. No. 29/658,287 dated Mar. 30, 2021.
 Notice of Allowance on U.S. Appl. No. 29/658,291 dated Aug. 7, 2020.
 Notice of Allowance on U.S. Appl. No. 29/753,305 dated Jul. 14, 2021.
 Notice of Allowance on U.S. Appl. No. 29/641,442 dated Oct. 18, 2018 (8 pages).

(56)

References Cited

OTHER PUBLICATIONS

Notice of Allowance on U.S. Appl. No. 29/641,444 dated Sep. 17, 2019 (8 pages).
 Notice of Allowance on U.S. Appl. No. 29/657,995 dated Jan. 18, 2019 (6 pages).
 Notice of Allowance on U.S. Appl. No. 29/657,996 dated Jan. 11, 2019 (6 pages).
 Notice of Allowance on U.S. Appl. No. 29/657,997 dated Jan. 11, 2019 (6 pages).
 Notice of Allowance on U.S. Appl. No. 29/658,278 dated Oct. 11, 2018 (7 pages).
 Notice of Allowance on U.S. Appl. No. 29/658,286 dated Oct. 11, 2018 (7 pages).
 Notice of Allowance on U.S. Appl. No. 29/658,292 dated Oct. 16, 2018 (6 pages).
 Notice of Allowance on U.S. Appl. No. 29/658,296 dated Oct. 17, 2018 (8 pages).
 Notice of Allowance on U.S. Appl. No. 29/658,297 dated Apr. 8, 2020 (5 pages).
 Notice of Allowance on U.S. Appl. No. 29/658,297 dated Jun. 12, 2020 (2 pages).
 NPL_ALLMODERN_SINGLE_HANDLE; 6 pgs.
 NPL_ALLMODERN_SINGLE_HANDLE_BATHROOM; 6pgs.
 U.S. Notice of Allowance on U.S. Appl. No. 29/641,524 dated Jun. 18, 2018.
 U.S. Notice of Allowance on U.S. Appl. No. 29/641,529 dated Jun. 18, 2018.
 U.S. Office Action on U.S. Appl. No. 29/658,287 dated Nov. 30, 2020.
 U.S. Office Action on U.S. Appl. No. 29/658,297 dated Jan. 10, 2020 (4 pages).

amazon.com, “712-C Chrome Single Handle Kitchen Faucet”, Internet URL: <https://www.amazon.com/MR-Direct-712-ABR-Antique-Kitchen/dp/B009O8F4AA?th=1>, dated May 6, 2009 (7 pages).
 amazon.com, “American Standard 7105801.002 Studio S Widespread Bathroom Faucet with Lever Handles, Polished Chrome”, Internet URL: https://www.amazon.com/American-Standard-7105801-002-Widespread-Bathroom/dp/B075QBJT8C/ref=sr_1_5?crd=2F1THK82YM9C4&keywords=Studio%2BS%2BWidespread%2BBathroom%2BFaucet%2Bwith%2BLever%2BHandles&qid=1641838973&srefix=studio%2Bs%2Bwidespread%2Bbathroom%2Bfaucet%2Bwith%2Blever%2Bhandles%2Caps%2C89&sr=8-5&th=1, dated Jan. 23, 2017 (10 pages).
 amazon.com, “Delta Faucet Trinsic Single-Handle Kitchen Sink Faucet with Pull Out Sprayer and Diamond Seal Technology, Matte Black 4159-BL-DST”, Internet URL: https://www.amazon.com/Faucet-4159-BL-DST-Signature-Pull-Out-Kitchen/dp/B00DGY15U6/ref=sr_1_5?crd=3KJMU9V0YNH6E&keywords=delta%2Bsingle%2BHandle%2BPull%2BOut%2BKitchen%2BFaucet%2Bin%2BArctic%2BStainless&qid=1641838832&srefix=delta%2Bsingle%2Bhandle%2Bpull%2Bout%2Bkitchen%2Bfaucet%2Bin%2Barctic%2Bstainless%2Caps%2C76&sr=8-52&th=1, dated Jun. 18, 2013 (11 pages).
 amazon.com, “K7 Single-Handle Pull-Out Kitchen Faucet”, Internet URL: https://www.amazon.com/K7-Single-Handle-Pull-Out-Kitchen-Faucet/dp/B004LGOBSG/ref=sr_1_16?crd=2EHX8G46P55JZ&keywords=GROHE%2BK7%2BSingle%2BHandle%2BPull%2BOut%2BKitchen%2BFaucet%2Bin%2BStarLight%2CAE%2BChrome&qid=1641838625&srefix=grohe%2Bk7%2Bsingle%2Bhandle%2Bpull%2Bout%2Bkitchen%2Bfaucet%2Bin%2Bstarlight%2Bchrome%2Caps%2C158&sr=8-16&th=1, dated Aug. 3, 2010 (9 pages).

* cited by examiner

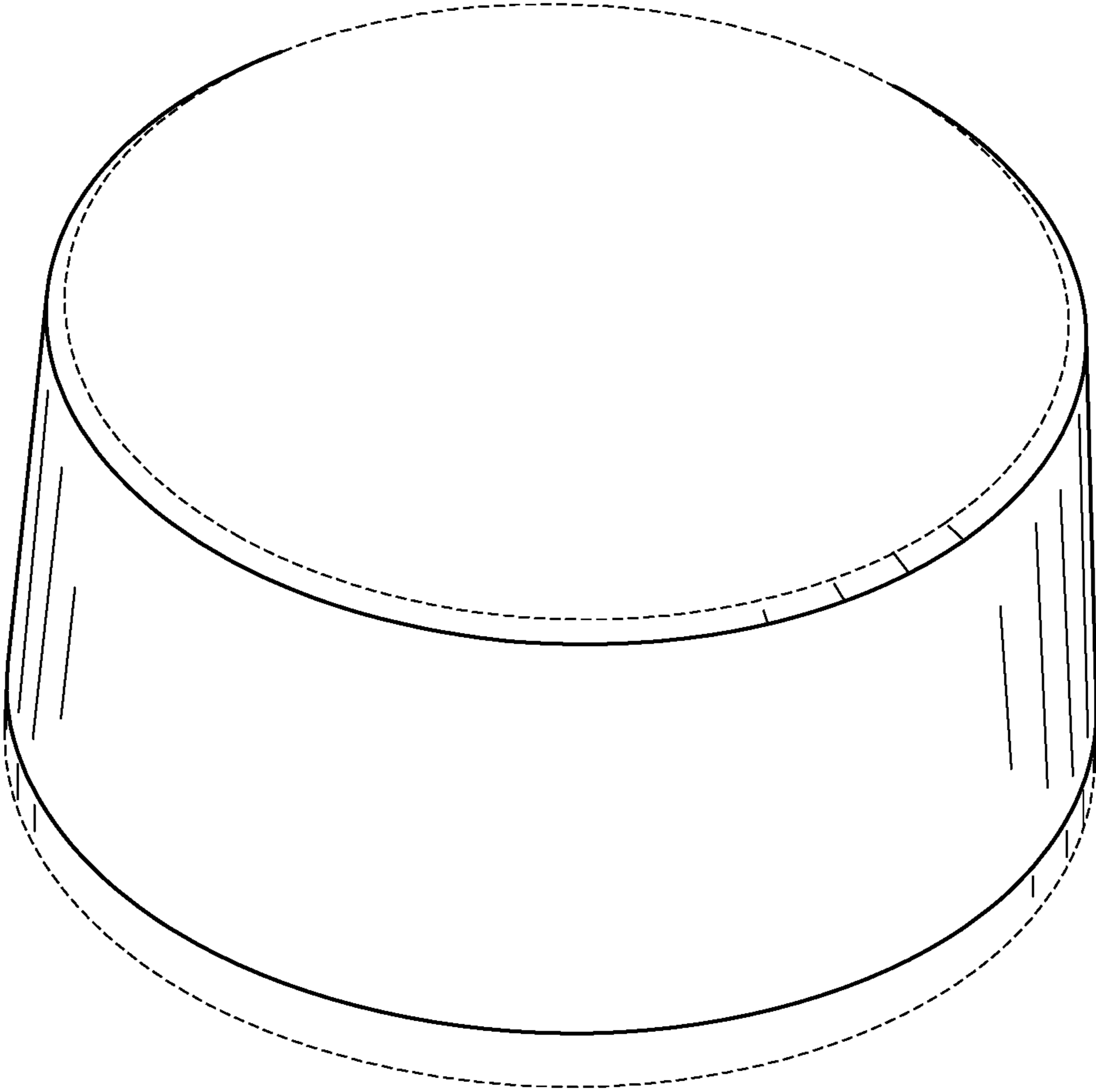


FIG. 1



FIG. 2

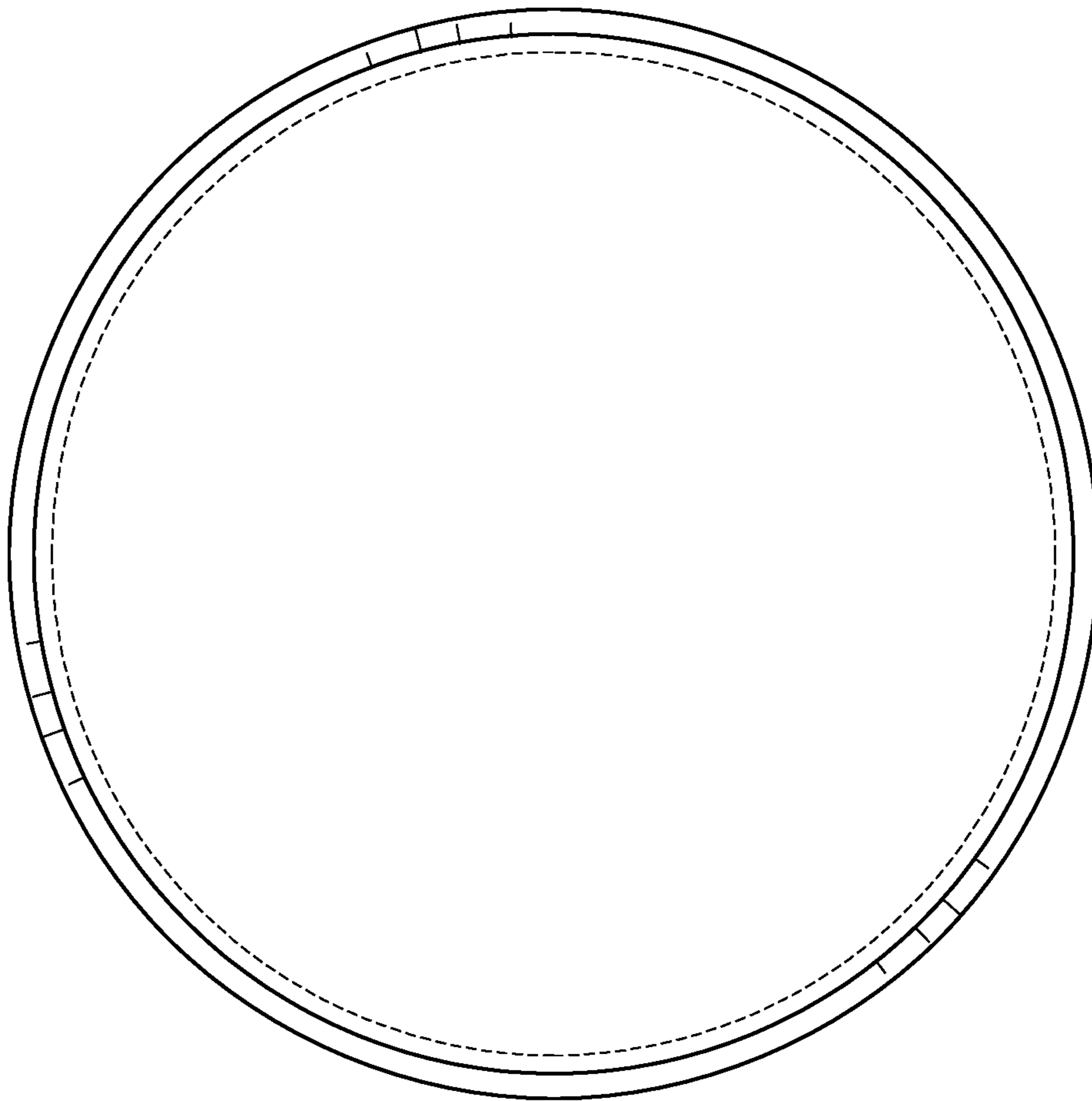


FIG. 3

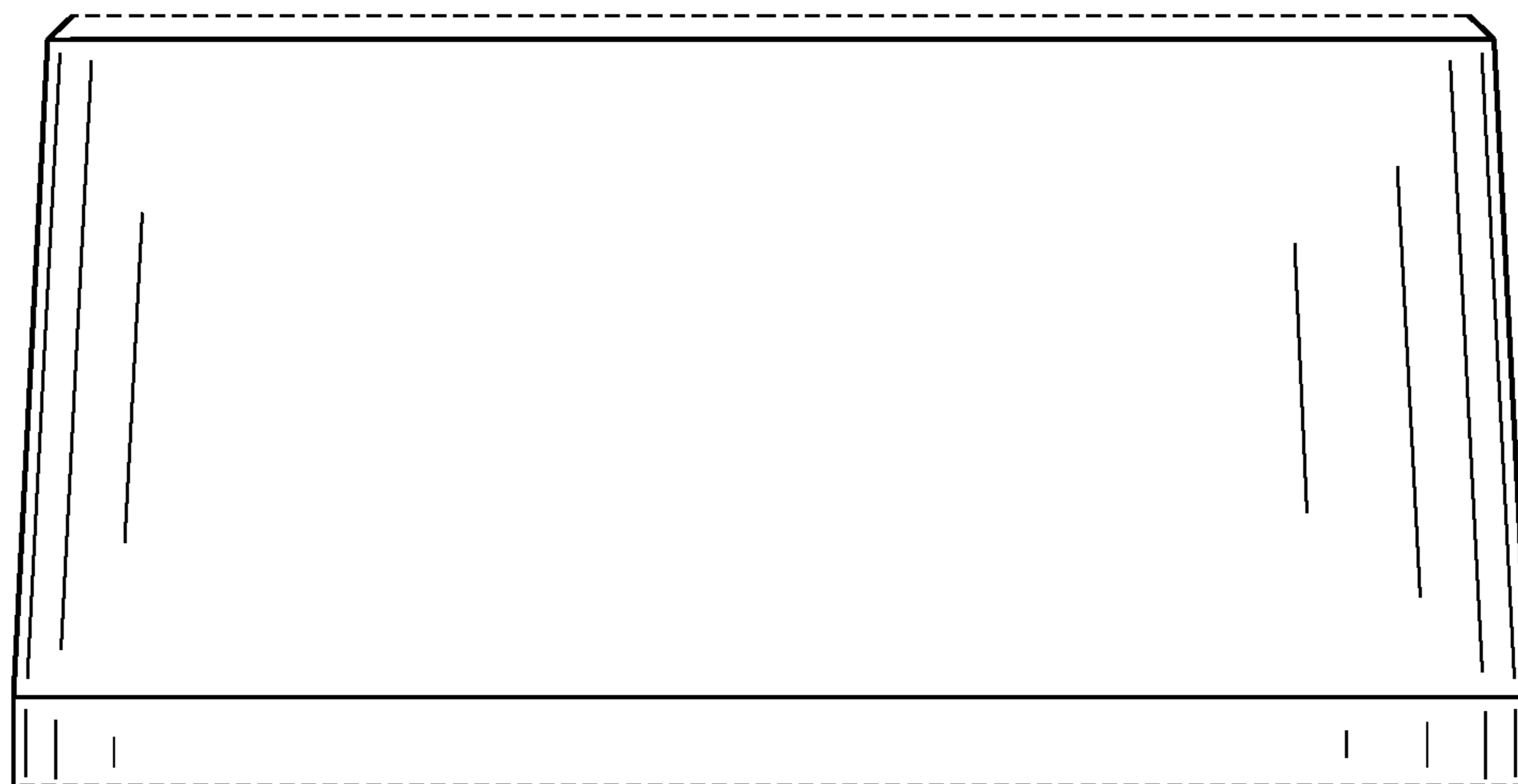


FIG. 4

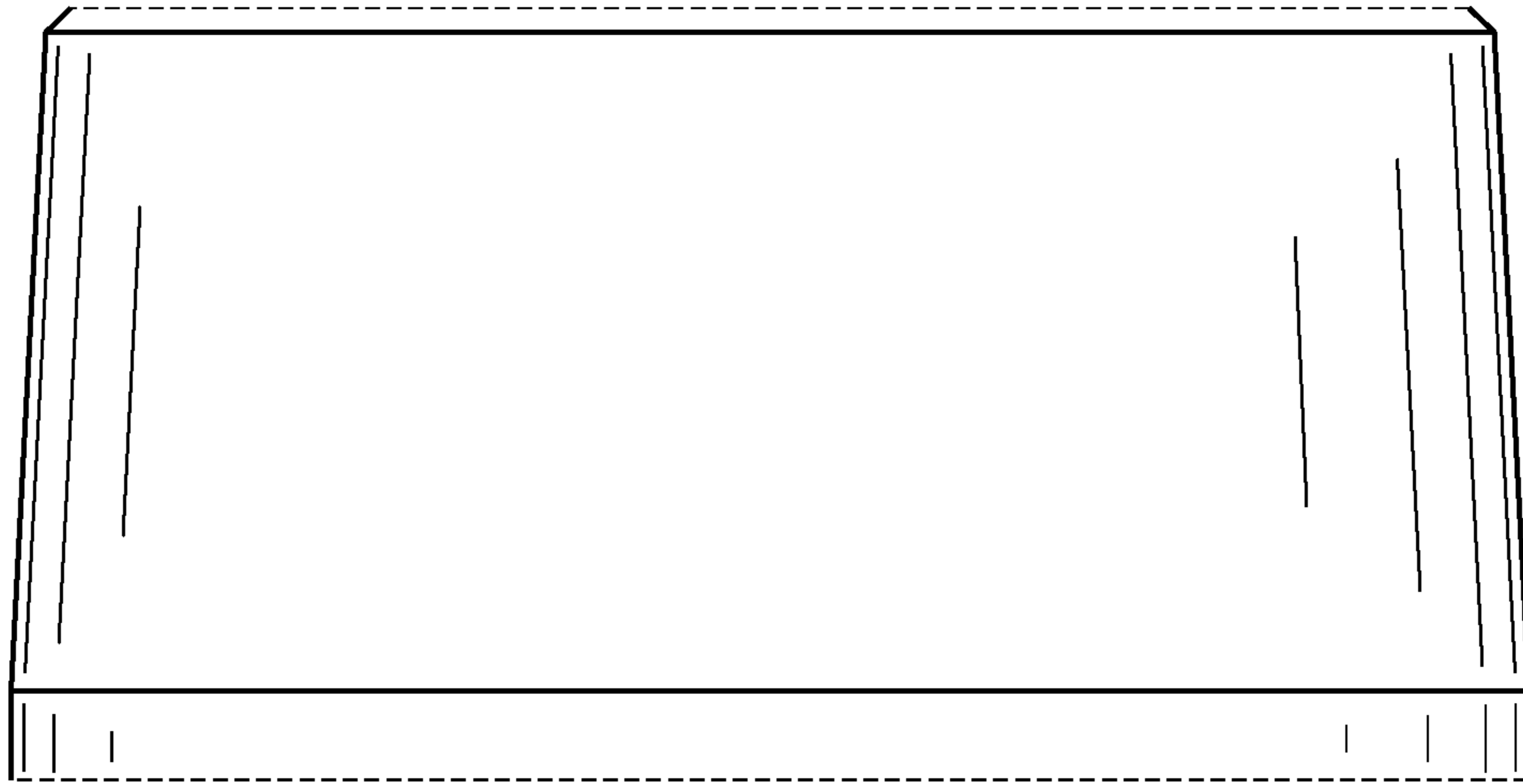


FIG. 5

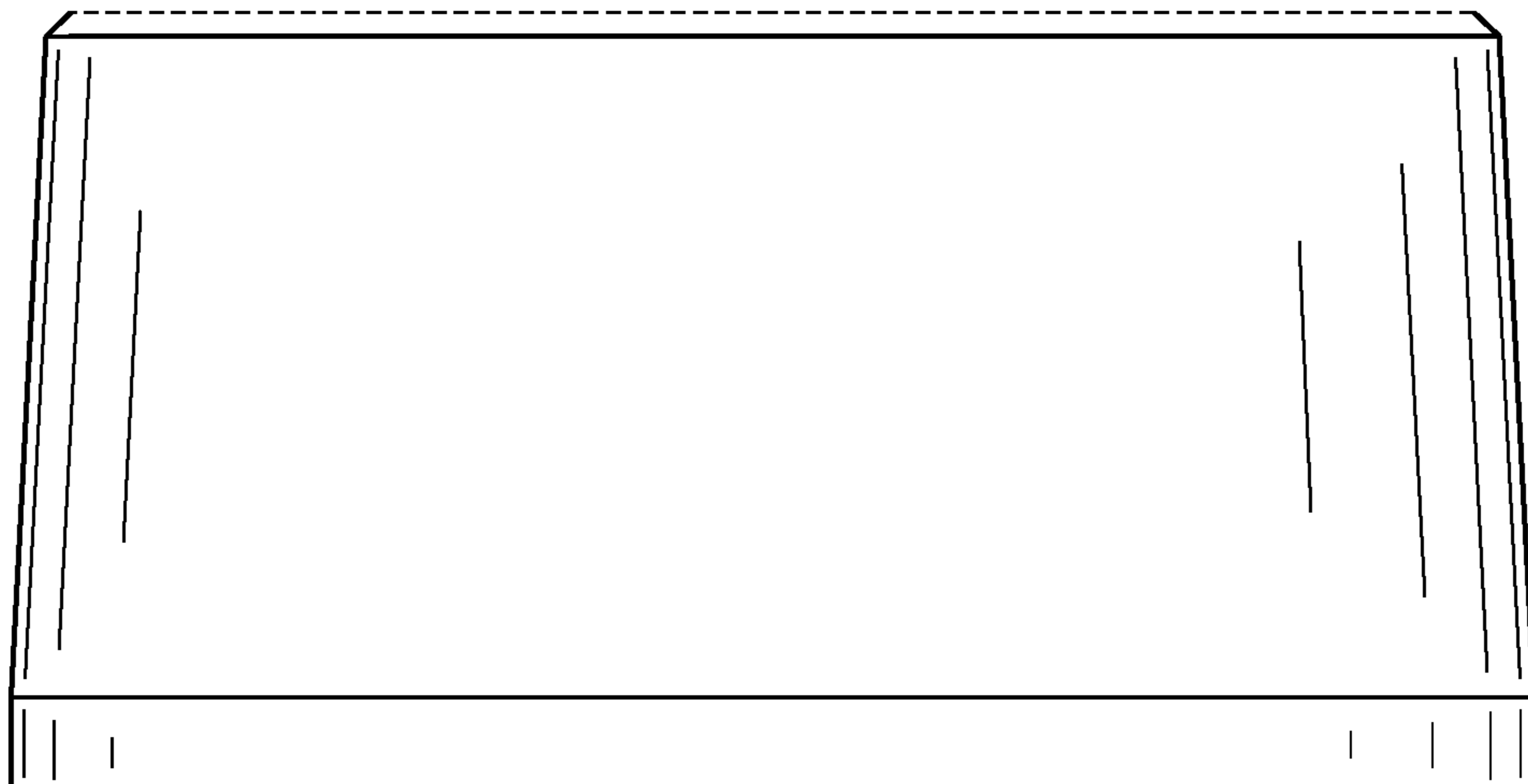


FIG. 6

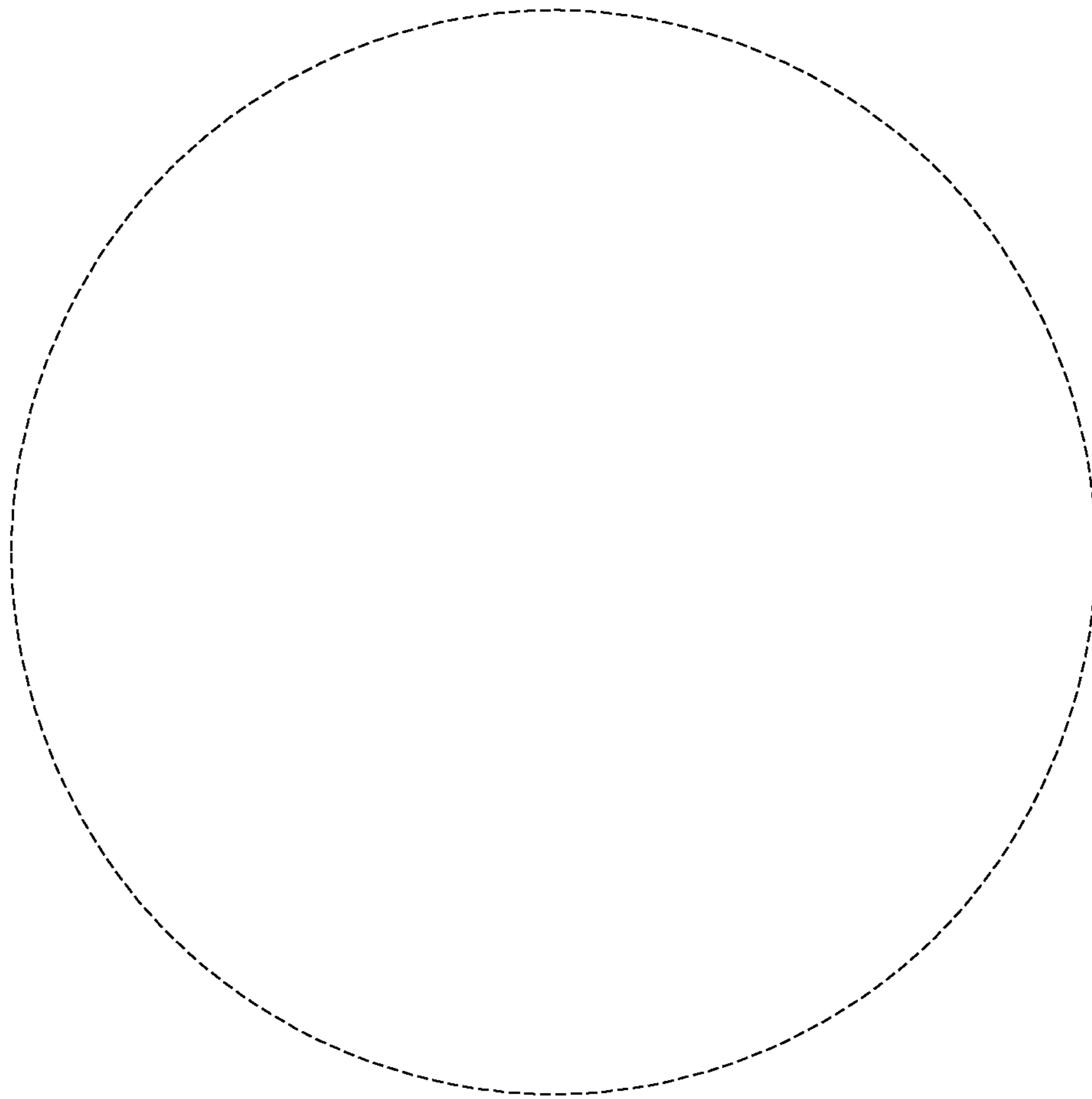


FIG. 7