



US00D963118S

(12) **United States Design Patent** (10) **Patent No.:** **US D963,118 S**
Khachaturov et al. (45) **Date of Patent:** **** Sep. 6, 2022**

(54) **VALVE FOR A LINEAR ELECTRIC SUBMERSIBLE PUMP**

(71) Applicants: **Dmytro Khachaturov**, Kharkov (UA);
Vasiliy Krivonosov, Kharkov (UA);
Olexiy Atamanenko, Kharkov (UA);
Natalia Gayevska, Kharkov (UA)

(72) Inventors: **Dmytro Khachaturov**, Kharkov (UA);
Vasiliy Krivonosov, Kharkov (UA);
Olexiy Atamanenko, Kharkov (UA);
Natalia Gayevska, Kharkov (UA)

(**) Term: **15 Years**

(21) Appl. No.: **29/713,016**

(22) Filed: **Nov. 13, 2019**

(51) **LOC (13) Cl.** **23-01**

(52) **U.S. Cl.**
USPC **D23/248**

(58) **Field of Classification Search**
USPC 310/87, 71; 417/417, 360, 423.3;
137/508; D23/233, 235, 237, 241-249,
D23/259, 262, 269
CPC H02K 5/132; E21B 43/128; E21B 17/003;
E21B 17/20; E21B 33/0385; E21B
33/047

See application file for complete search history.

(56) **References Cited**

U.S. PATENT DOCUMENTS

4,453,892 A * 6/1984 Brookbank, III F04B 47/02
137/508
10,309,858 B2 * 6/2019 Tuttle G01M 3/04
11,022,109 B2 * 6/2021 Khachaturov F04B 17/03
11,199,057 B2 * 12/2021 Chalumeau B32B 27/304

* cited by examiner

Primary Examiner — Gino Colan

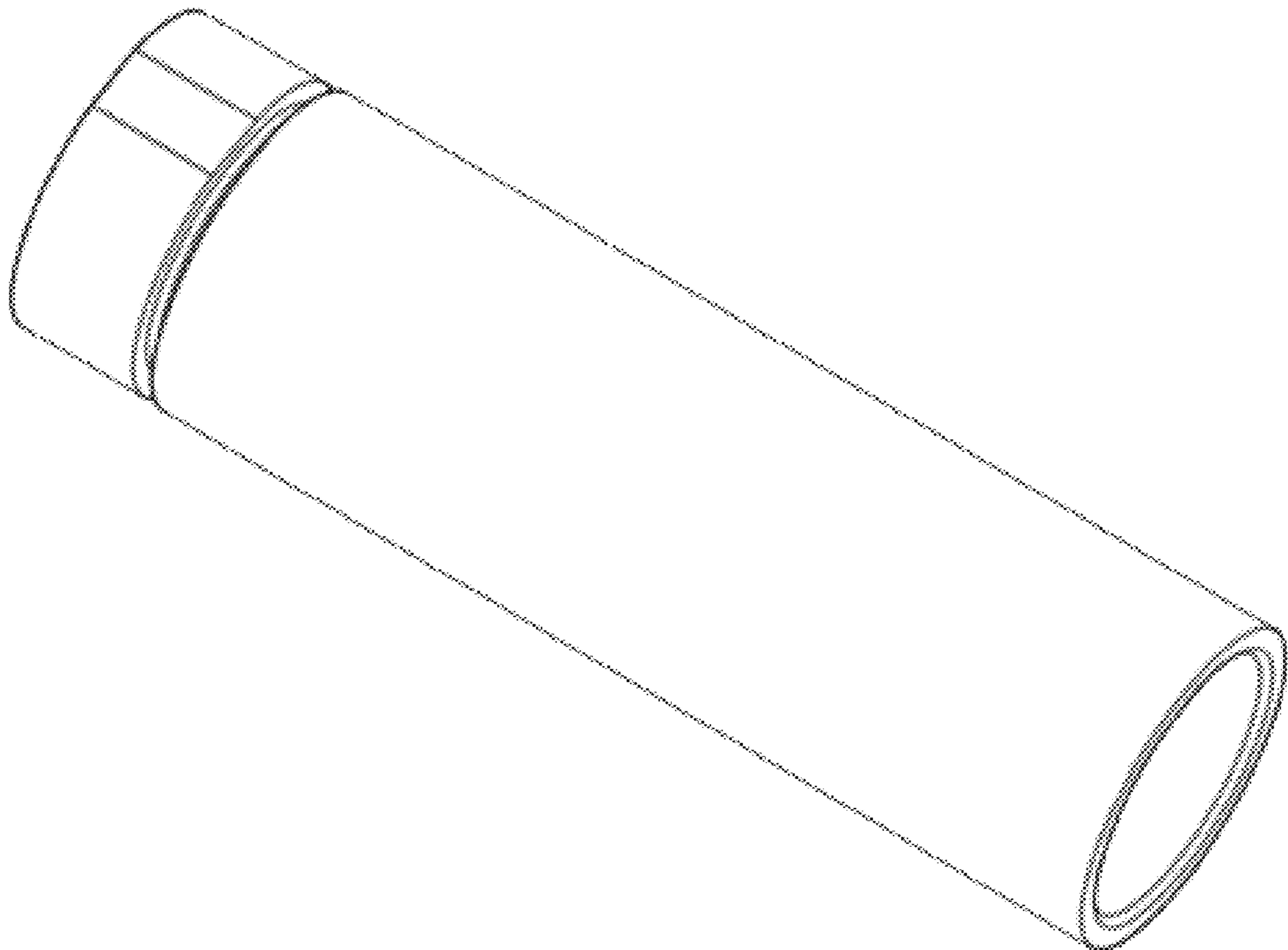
(57) **CLAIM**

The ornamental design for a valve for a linear electric submersible pump, as shown and described.

DESCRIPTION

FIG. 1 is a perspective view of a valve for a linear electric submersible pump;
FIG. 2 is a top perspective exploded view of the valve for the linear electric submersible pump of FIG. 1; and,
FIG. 3 is an underside perspective exploded view of the valve for the linear electric submersible pump of FIG. 1.

1 Claim, 2 Drawing Sheets



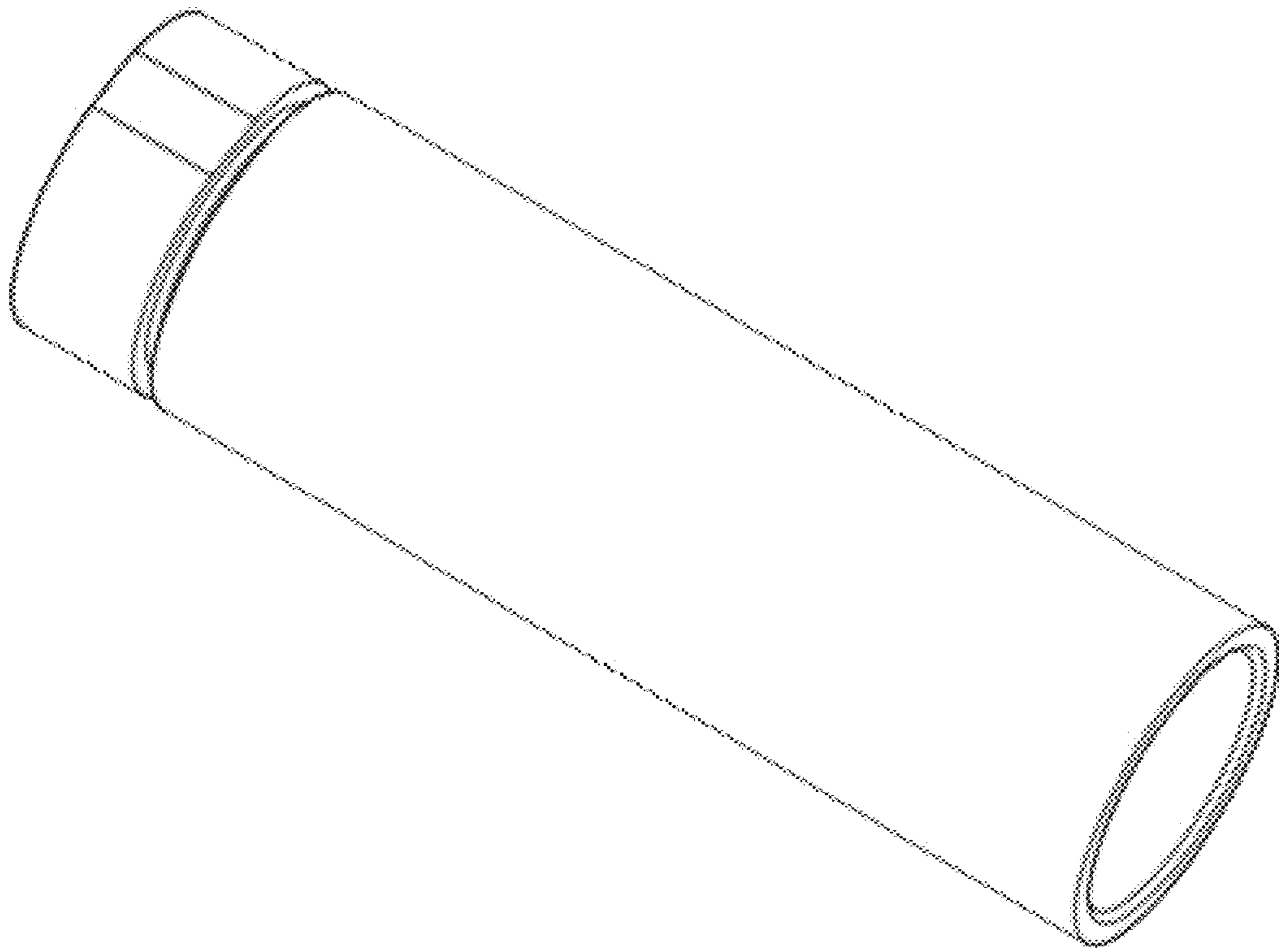


Fig.1

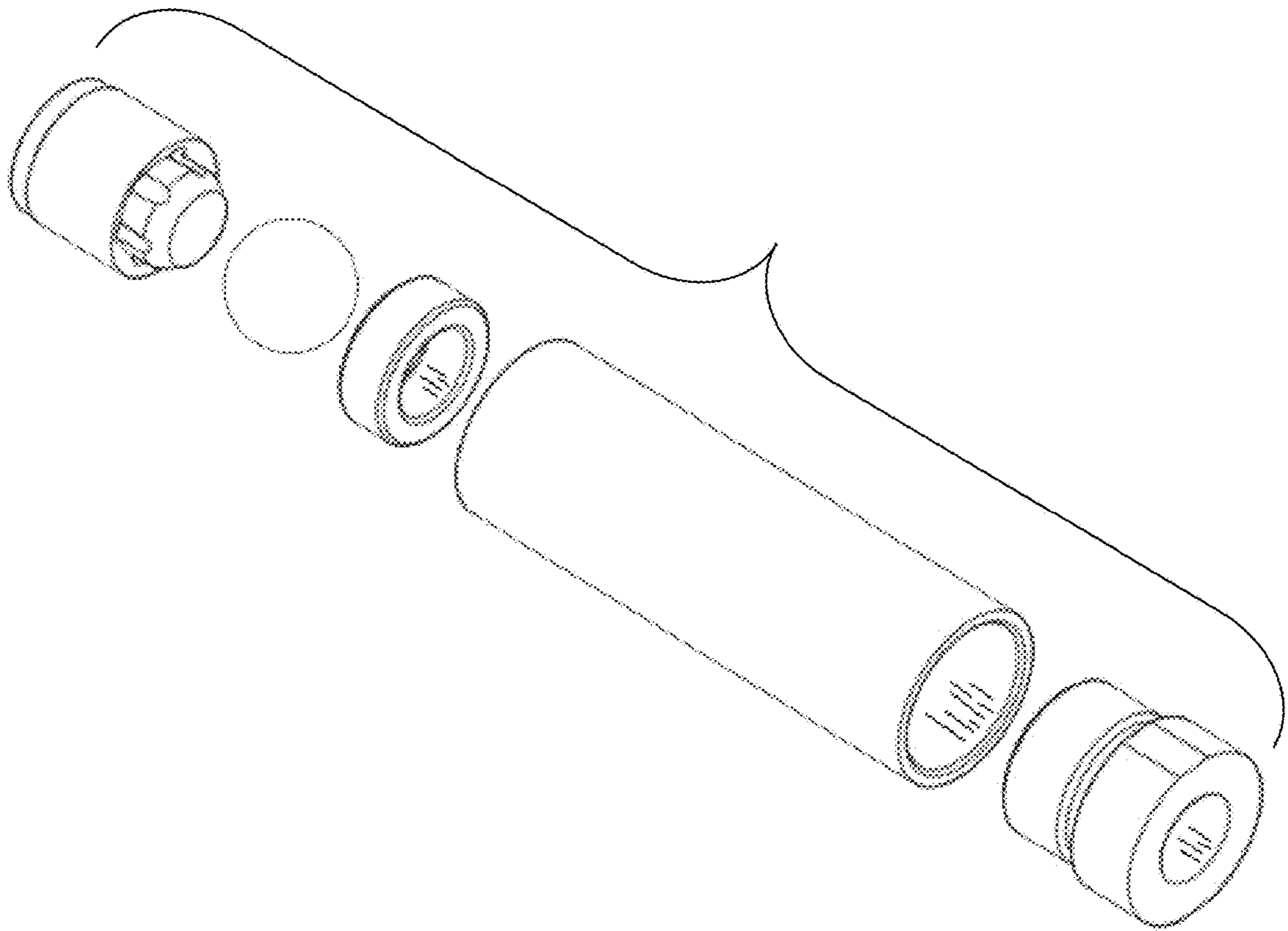


Fig. 2

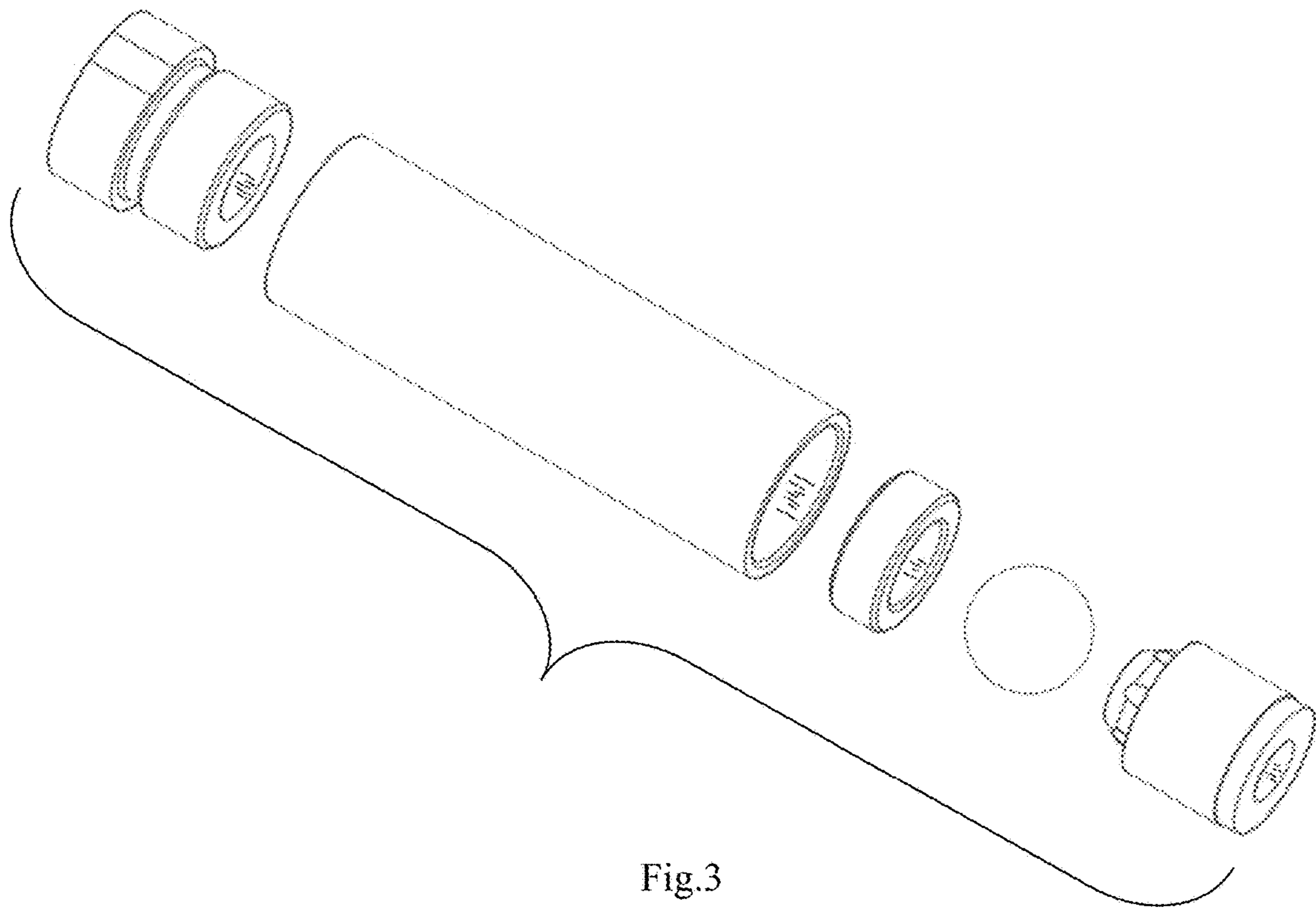


Fig.3