



US00D963117S

(12) **United States Design Patent** (10) **Patent No.:** **US D963,117 S**
Xie (45) **Date of Patent:** **** Sep. 6, 2022**

(54) **FAUCET**

(71) Applicant: **Jiangmen Dongrui Technology Co., Ltd., Kaiping (CN)**

(72) Inventor: **Xiangqi Xie, Putian (CN)**

(**) Term: **15 Years**

(21) Appl. No.: **29/837,418**

(22) Filed: **May 5, 2022**

(51) **LOC (13) Cl.** **23-01**

(52) **U.S. Cl.**
USPC **D23/242**

(58) **Field of Classification Search**
USPC D23/238–243, 249–250, 252, 254–255, D23/257; D8/307–308, 352–353
See application file for complete search history.

(56) **References Cited**

U.S. PATENT DOCUMENTS

D364,217 S	*	11/1995	Dubin	D23/252
D373,179 S	*	8/1996	Sieger	D23/241
D433,485 S	*	11/2000	Lord	D23/249
D522,630 S	*	6/2006	Fritz	D23/252
D666,277 S	*	8/2012	Schaefer	D23/252
D791,280 S	*	7/2017	Fritz	D23/242
D890,306 S	*	7/2020	Potter	D23/242
D950,683 S	*	5/2022	Ling	
D954,204 S	*	6/2022	Lazarini	D23/242

OTHER PUBLICATIONS

WOWOW Widespread Bathroom Faucet Chrome 8 inch Bathroom Sink Faucet. Amazon.com <https://www.amazon.com/WOWOW->

Handle-Bathroom-Faucet- Widespread/dp/B093734X32/ref=sxin_15_pa_sp_search_thematic_sspa?content-id=amzn1.sym.9e69e792-0ff0-4e1a-b10c-a41b9d9b3ffc%3Aamzn1.sym.9e69e792-0ff0-4e1a-b10c-a41b- (Year: 2021).*

* cited by examiner

Primary Examiner — Robert A Delehanty

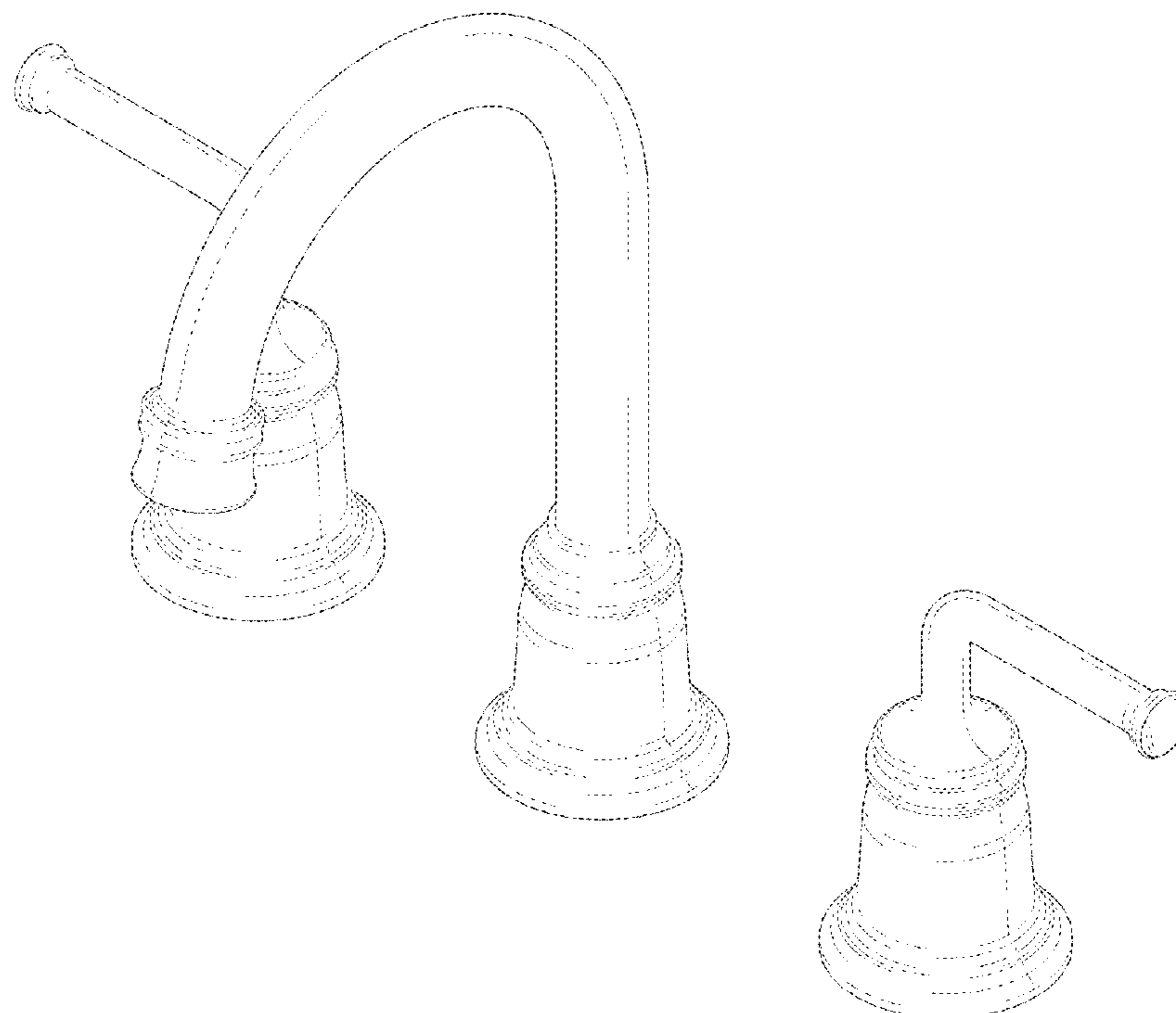
(57) **CLAIM**

The ornamental design for a faucet, as shown and described.

DESCRIPTION

FIG. 1 is a front perspective view of a faucet, showing my new design;
FIG. 2 is a front view thereof;
FIG. 3 is a rear view thereof;
FIG. 4 is a left side view thereof;
FIG. 5 is a right side view thereof;
FIG. 6 is a top view thereof;
FIG. 7 is a bottom view thereof;
FIG. 8 is a front perspective view of another embodiment thereof;
FIG. 9 is a front view thereof;
FIG. 10 is a rear view thereof;
FIG. 11 is a left side view thereof;
FIG. 12 is a right side view thereof;
FIG. 13 is a top view thereof; and,
FIG. 14 is a bottom view thereof.
The broken lines in the drawings illustrate the portions of the faucet, which form no part of the claimed design.

1 Claim, 14 Drawing Sheets



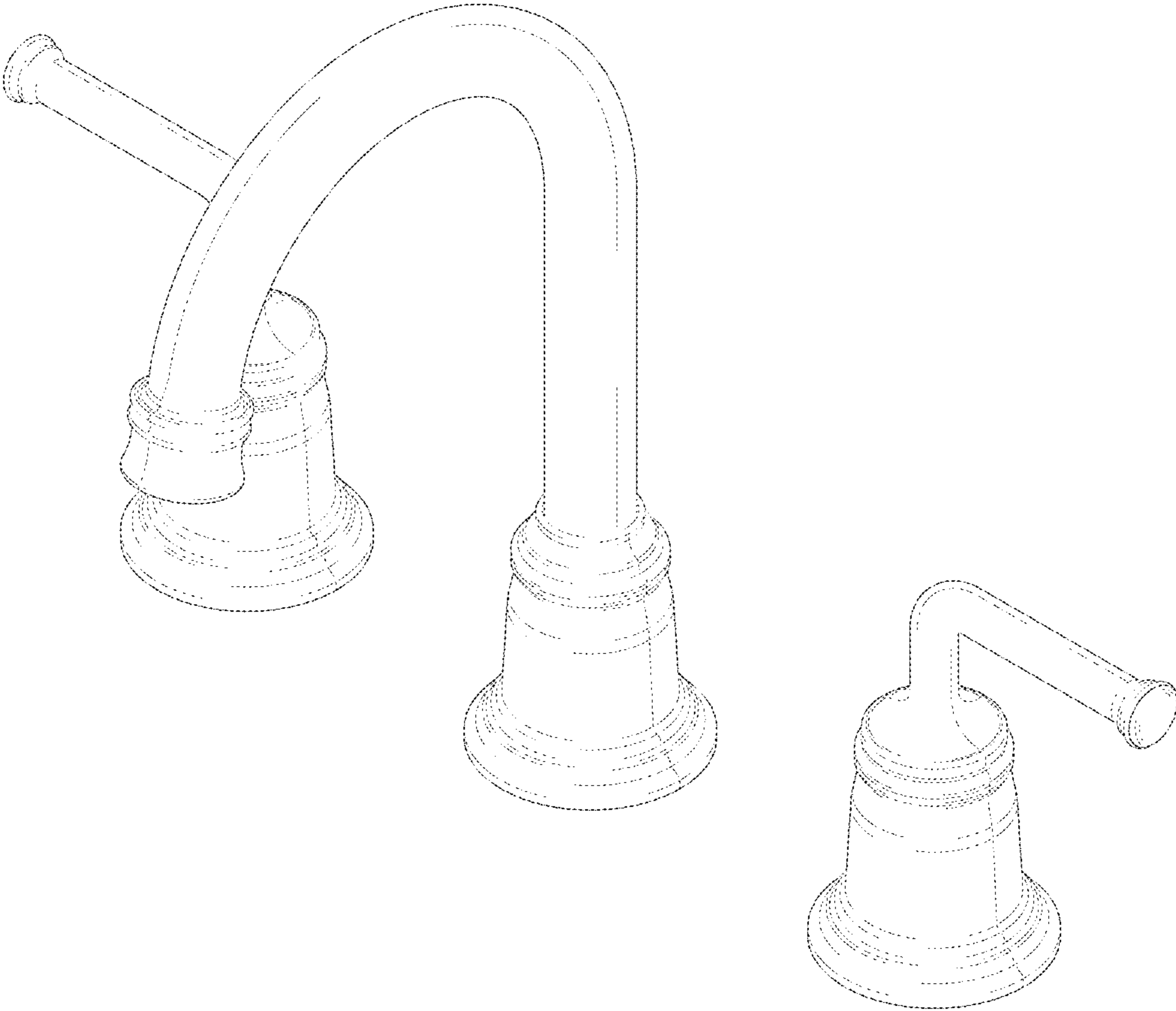


FIG. 1

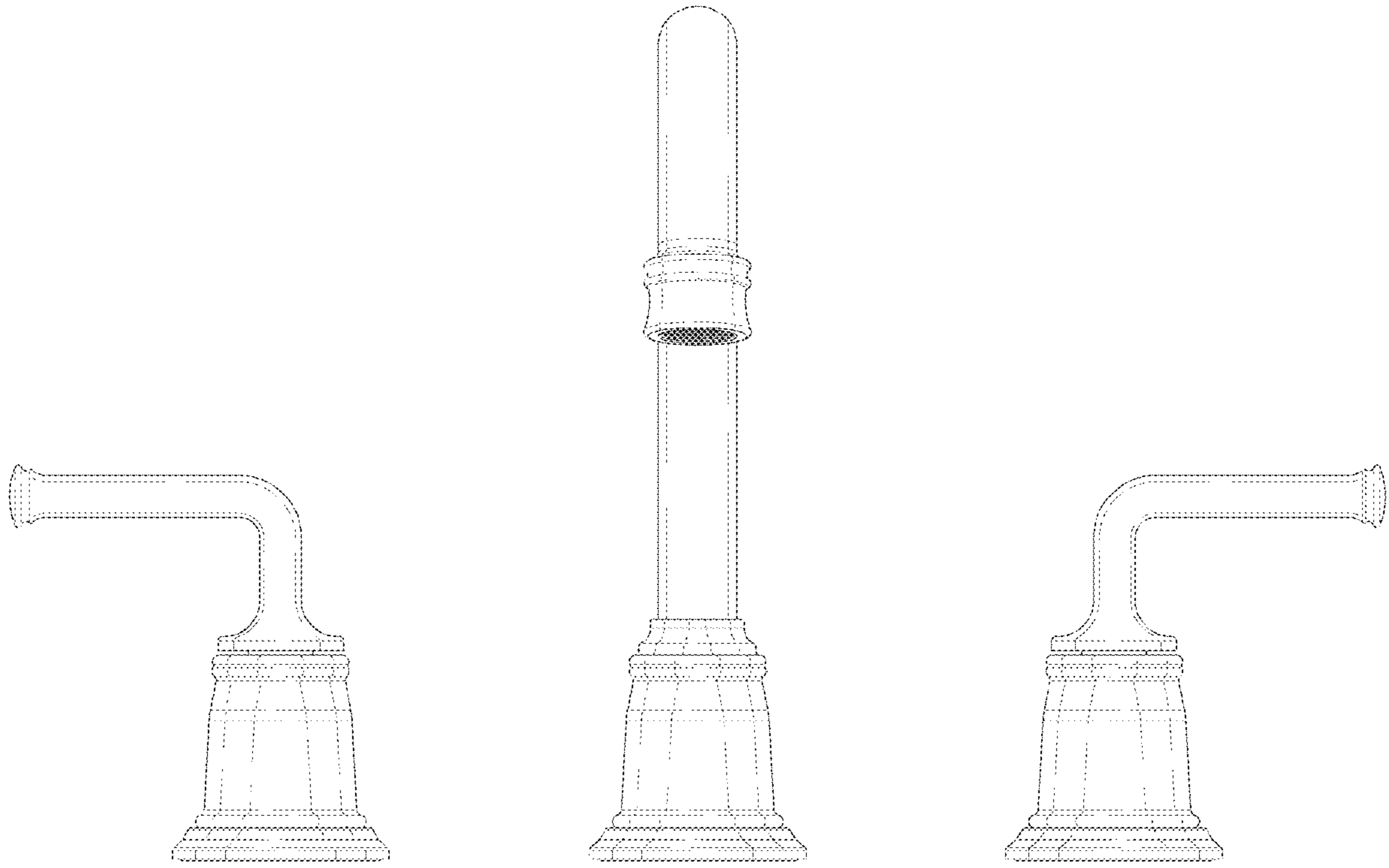


FIG. 2

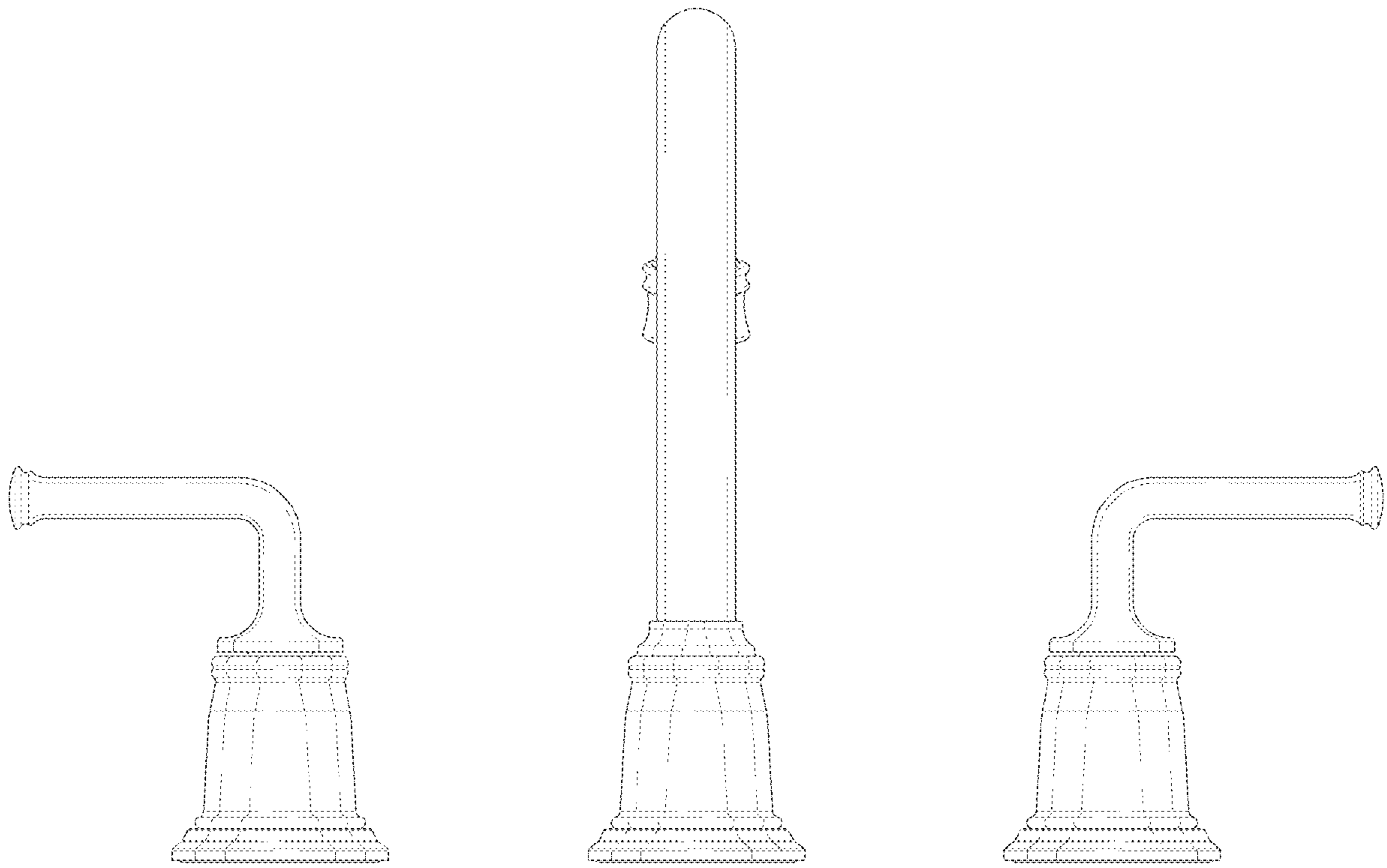


FIG. 3

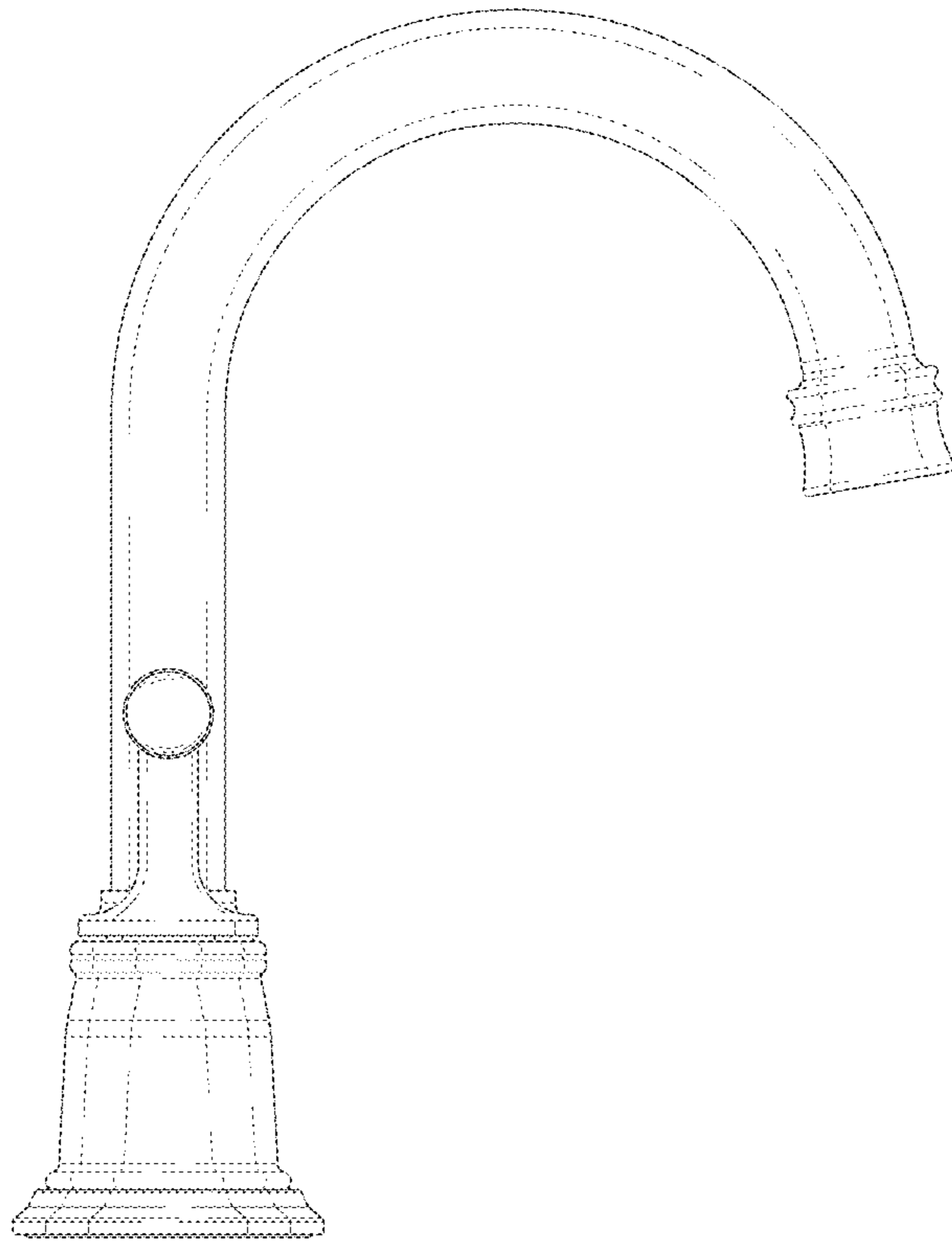


FIG. 4

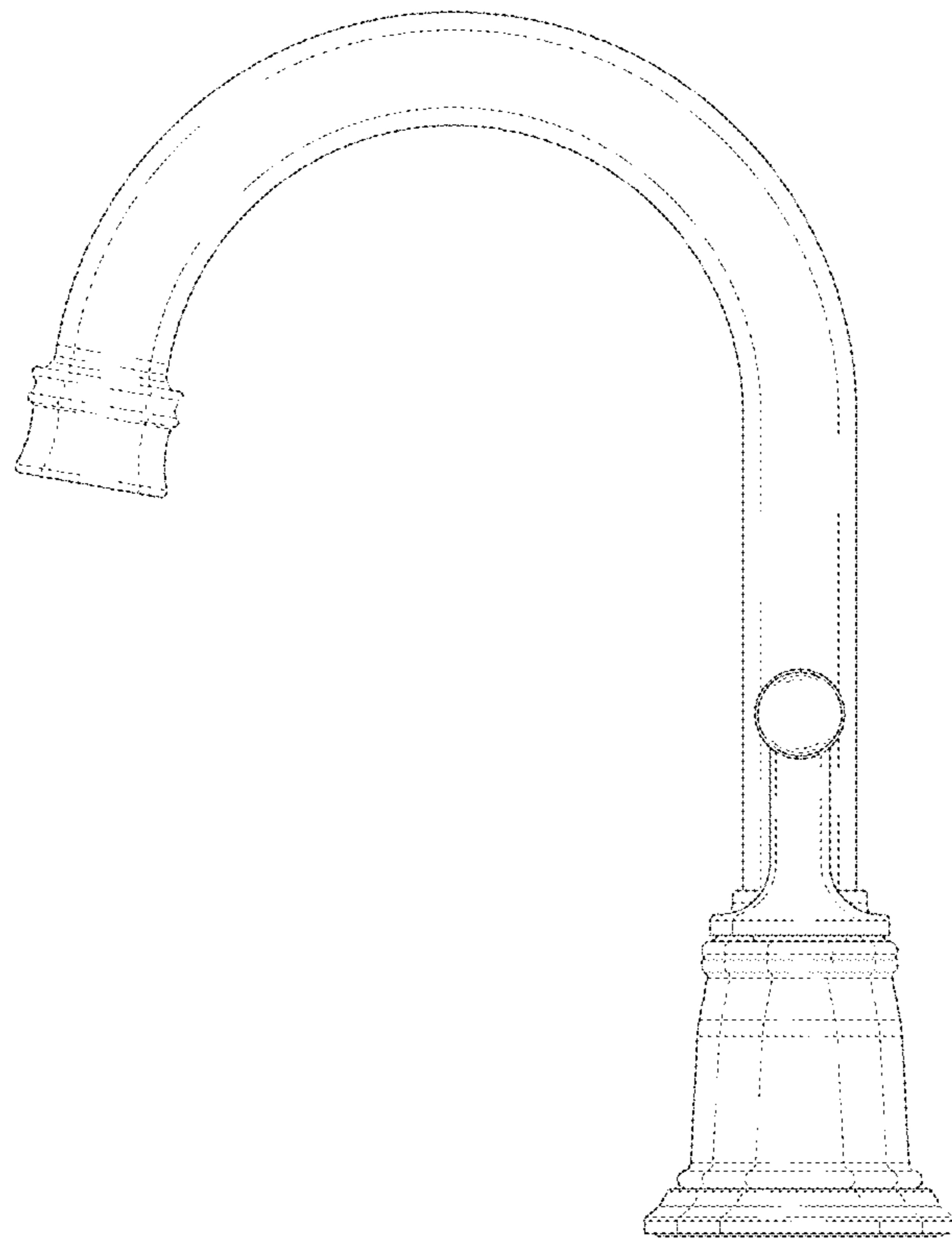


FIG. 5

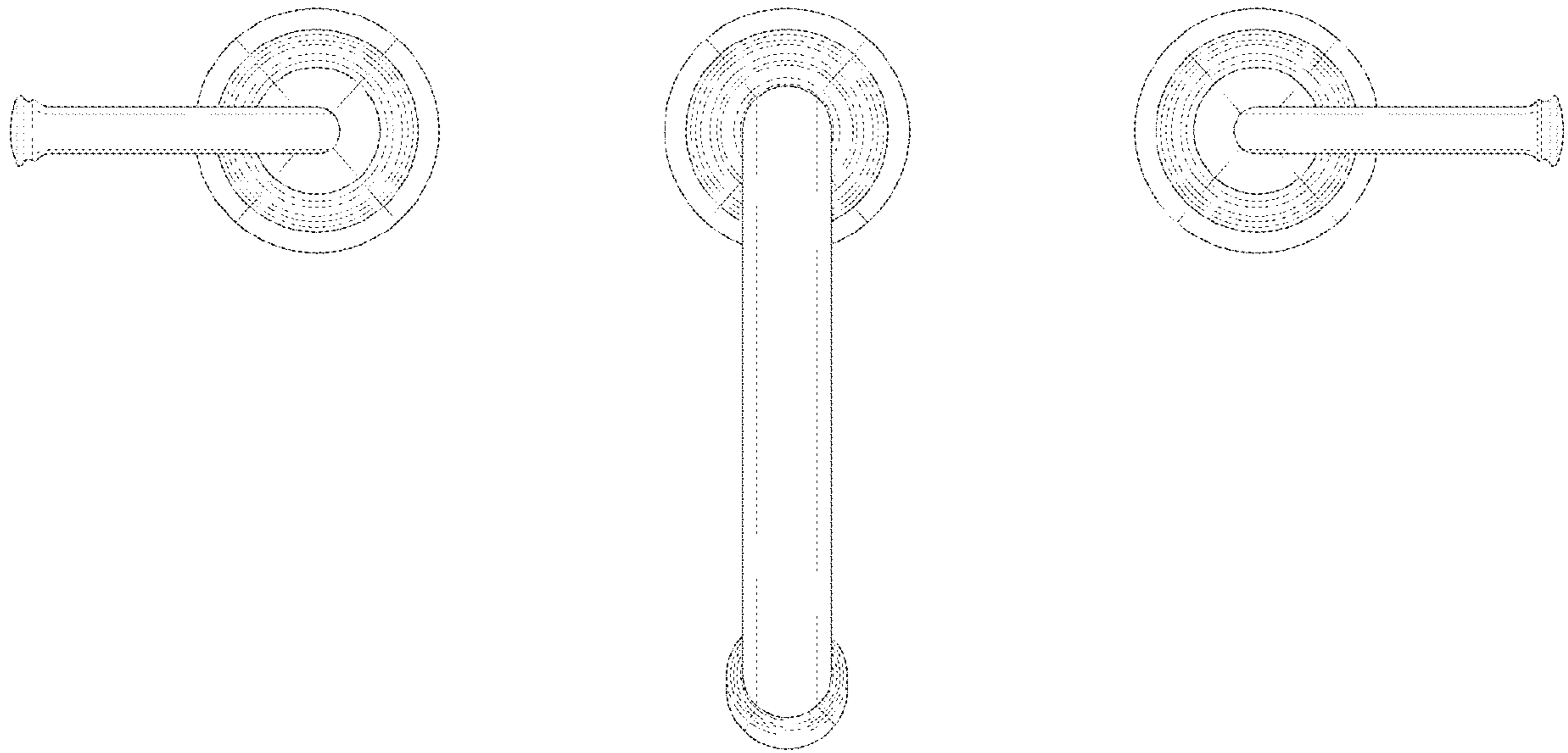


FIG. 6

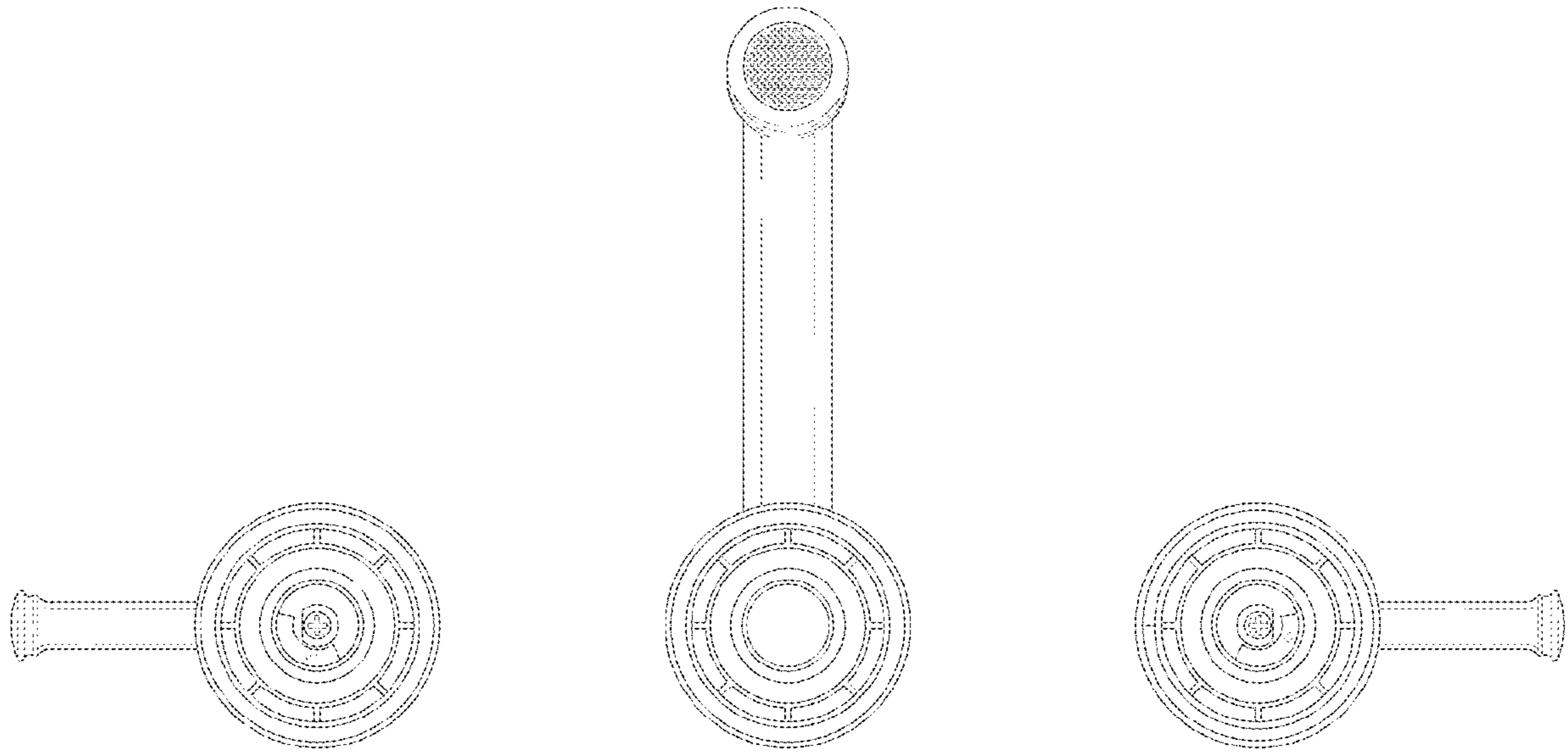


FIG. 7

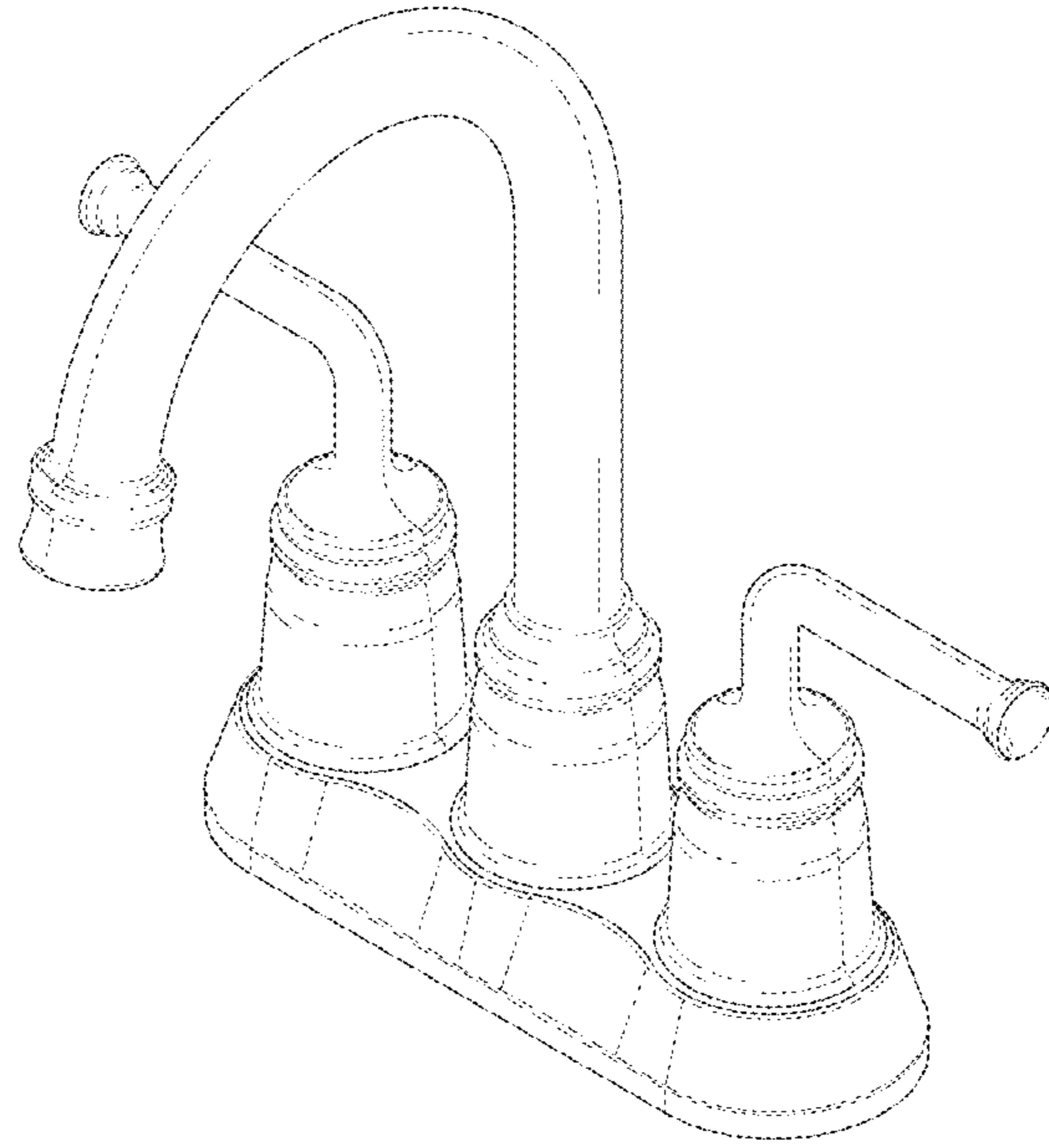


FIG. 8

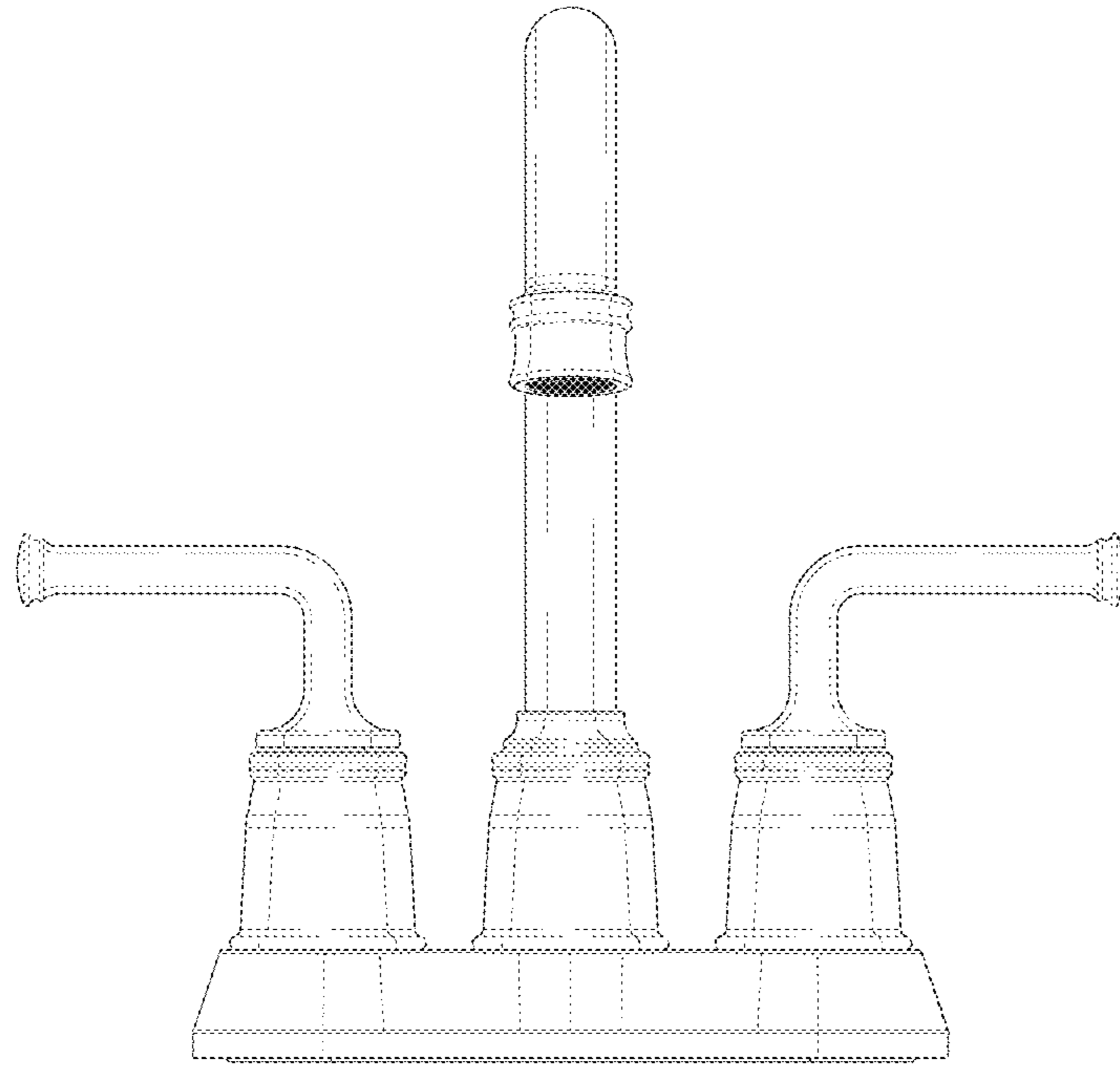


FIG. 9

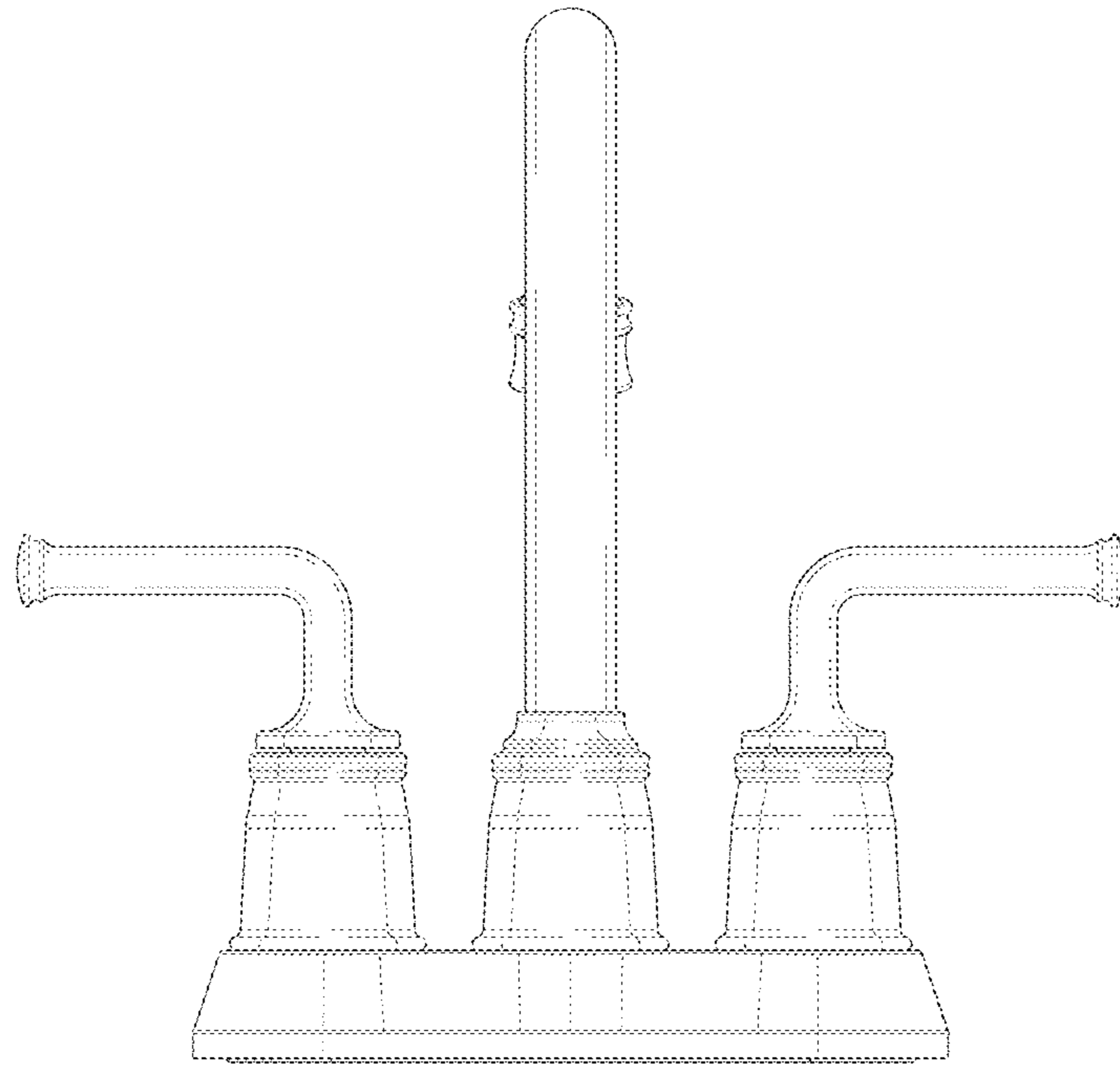


FIG. 10

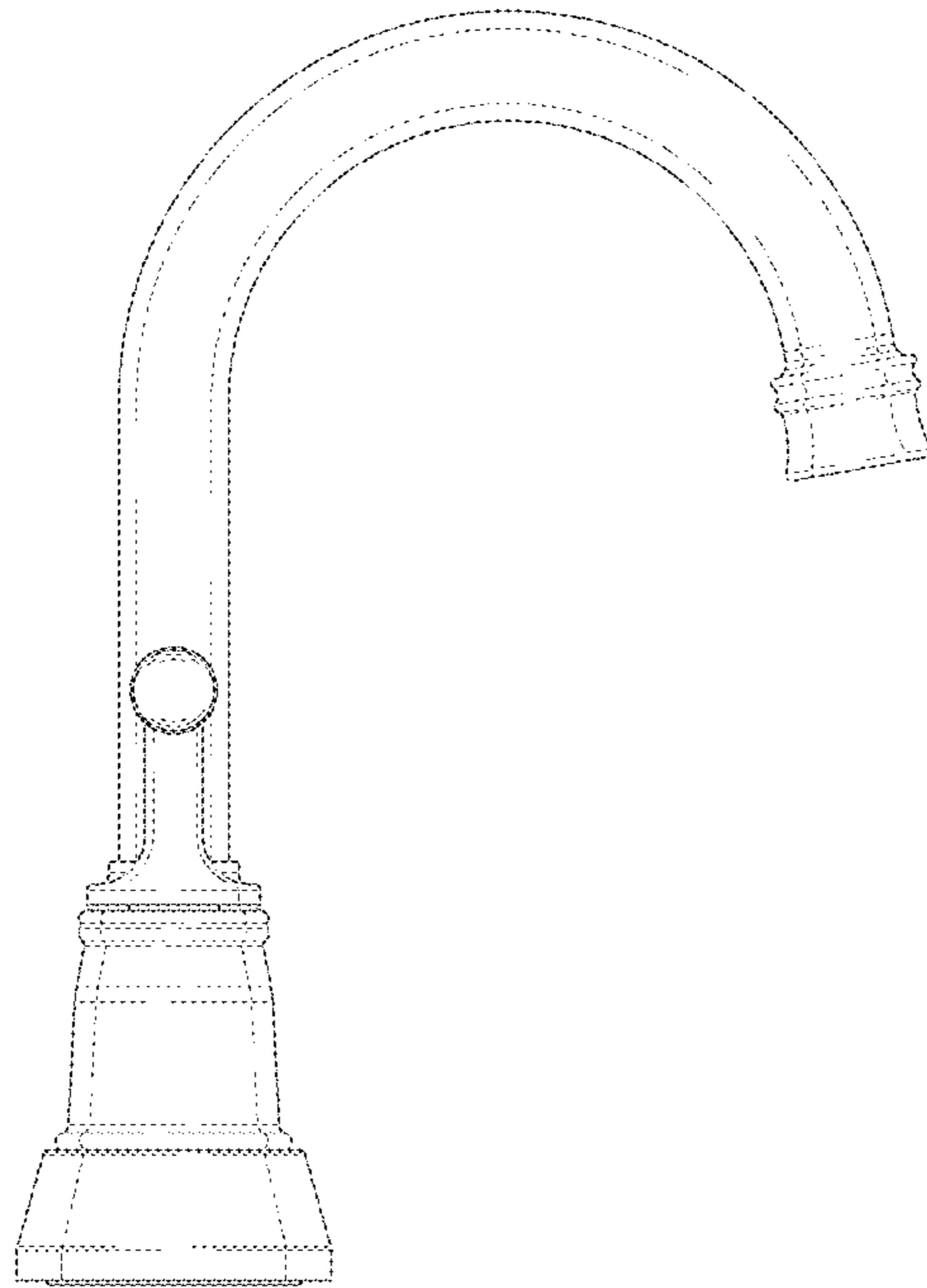


FIG. 11

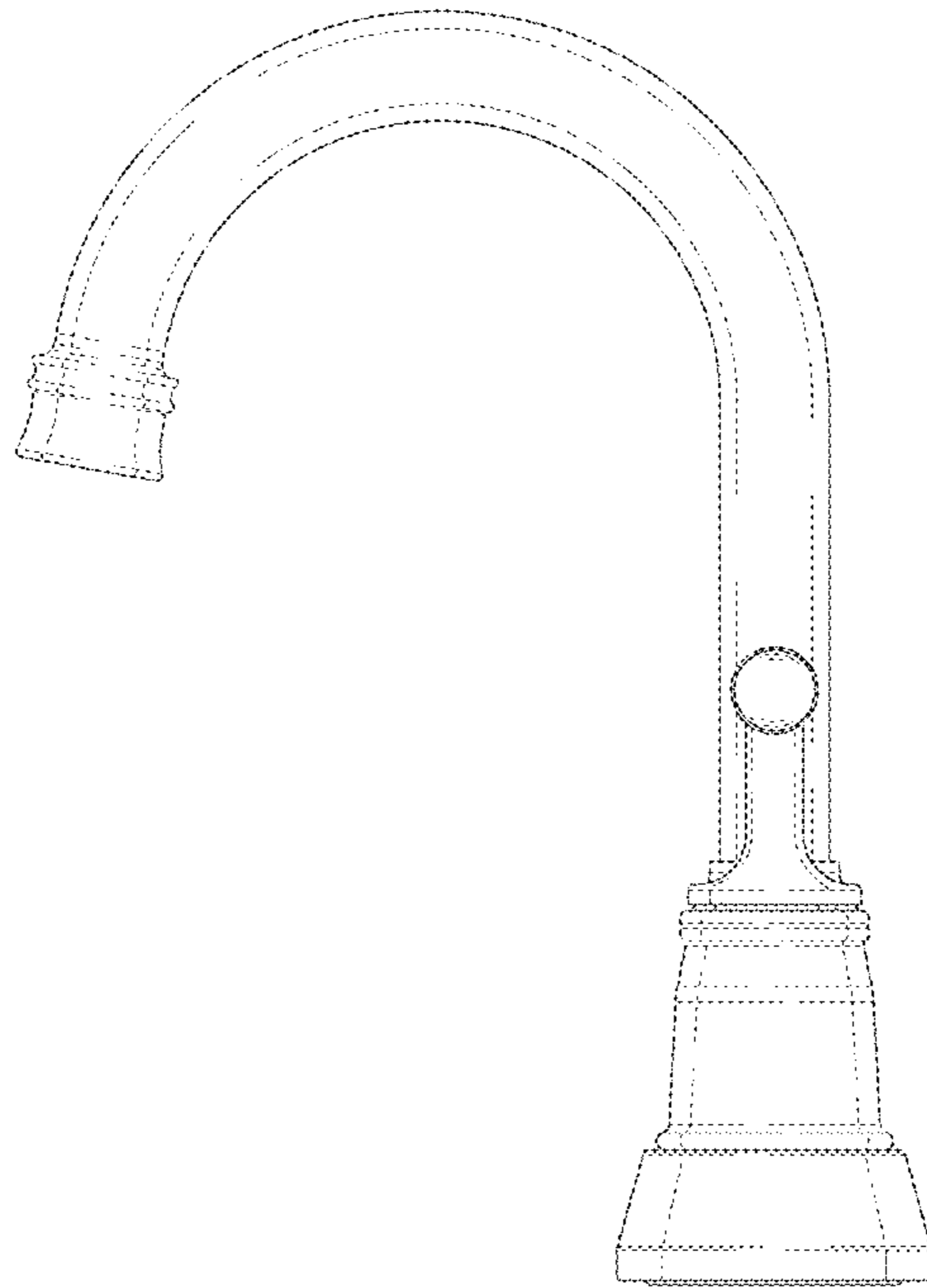


FIG. 12

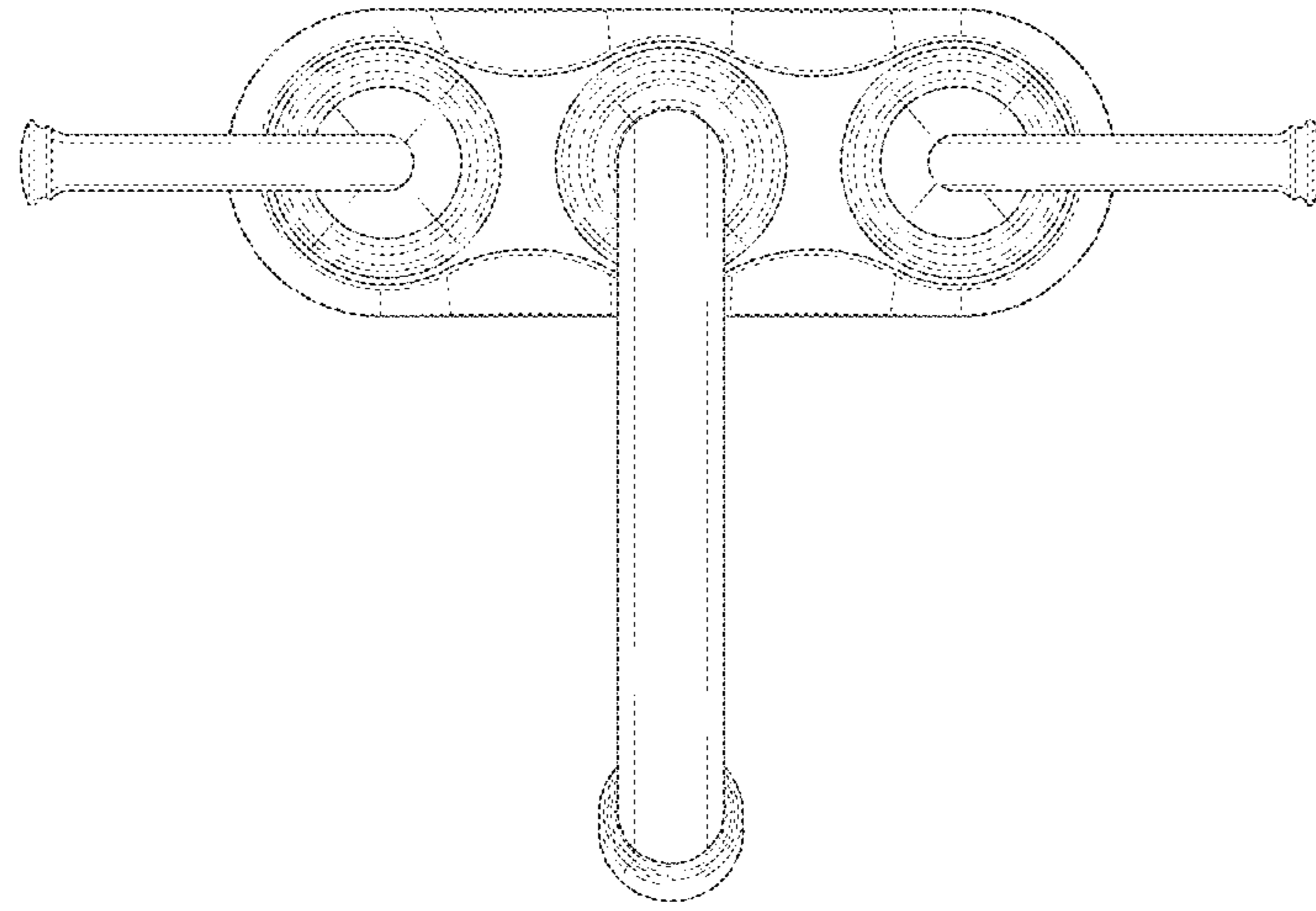


FIG. 13

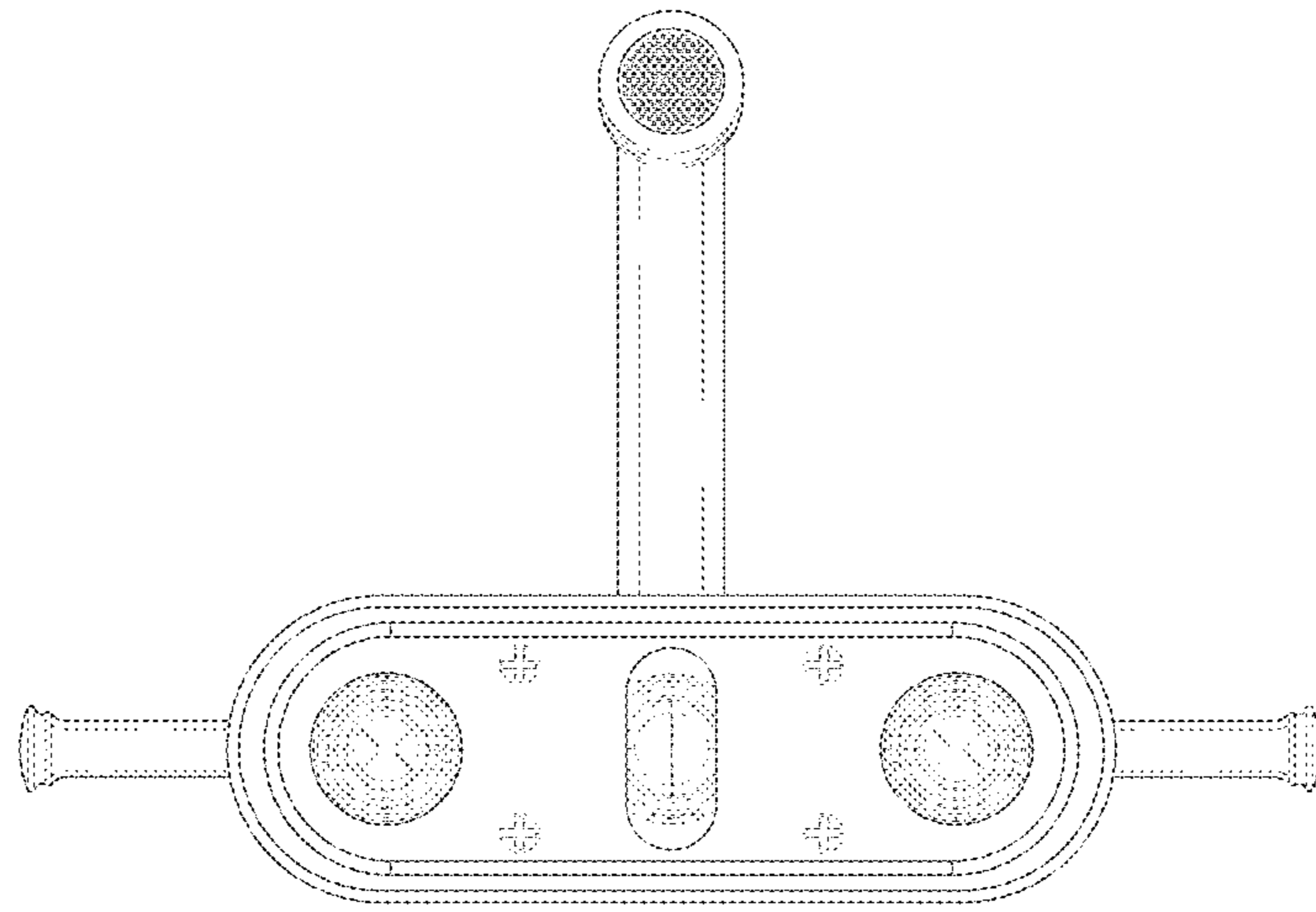


FIG. 14