



US00D963116S

(12) **United States Design Patent** (10) **Patent No.:** **US D963,116 S**  
**Sannito** (45) **Date of Patent:** **\*\* Sep. 6, 2022**

(54) **FAUCET**  
(71) Applicant: **DELTA FAUCET COMPANY,**  
Indianapolis, IN (US)  
(72) Inventor: **Connor Sannito,** Sturgeon Bay, WI  
(US)  
(73) Assignee: **DELTA FAUCET COMPANY,**  
Indianapolis, IN (US)  
(\*\*) Term: **15 Years**  
(21) Appl. No.: **29/765,684**  
(22) Filed: **Jan. 11, 2021**  
(51) **LOC (13) Cl.** ..... **23-01**  
(52) **U.S. Cl.**  
USPC ..... **D23/242**  
(58) **Field of Classification Search**  
USPC ..... D23/238, 239, 240, 241, 242, 243, 246,  
D23/247, 248, 249, 250, 251, 252, 253,  
D23/254, 255, 256, 257  
CPC ..... E03C 1/00; E03C 1/01; E03C 1/02; E03C  
1/023; E03C 1/04; E03C 1/0401; E03C  
1/0403; E03C 1/0404; E03C 1/0412;  
E03C 1/05; E03C 1/042; F16K 31/60  
See application file for complete search history.

D708,711 S \* 7/2014 Yu ..... D23/238  
D809,630 S \* 2/2018 Schoenherr ..... D23/242  
D810,243 S \* 2/2018 Schoenherr ..... D23/242  
D828,506 S \* 9/2018 Schoenherr ..... D23/238  
D845,444 S \* 4/2019 Eads ..... D23/255  
(Continued)

**FOREIGN PATENT DOCUMENTS**

CN 201930461670.7 \* 8/2019  
CN 201930719579.0 \* 12/2019  
(Continued)

**OTHER PUBLICATIONS**

Amazon, G0000D Faucet Widespread Basin Faucet Black, posted  
May 18, 2020, [online], [visited May 12, 2022]. Internet, <URL:  
<https://www.amazon.co.uk/G0000D-Faucet-Widespread-Bathroom-Geometric-Shipping/dp/B08BKGBVHJ/ref>> (Year: 2020).\*  
(Continued)

*Primary Examiner* — Samantha Wood  
(74) *Attorney, Agent, or Firm* — Nirav D. Parikh; Jeffrey  
L. Doyle

(57) **CLAIM**

The ornamental design for a faucet, as shown and described.

(56) **References Cited**

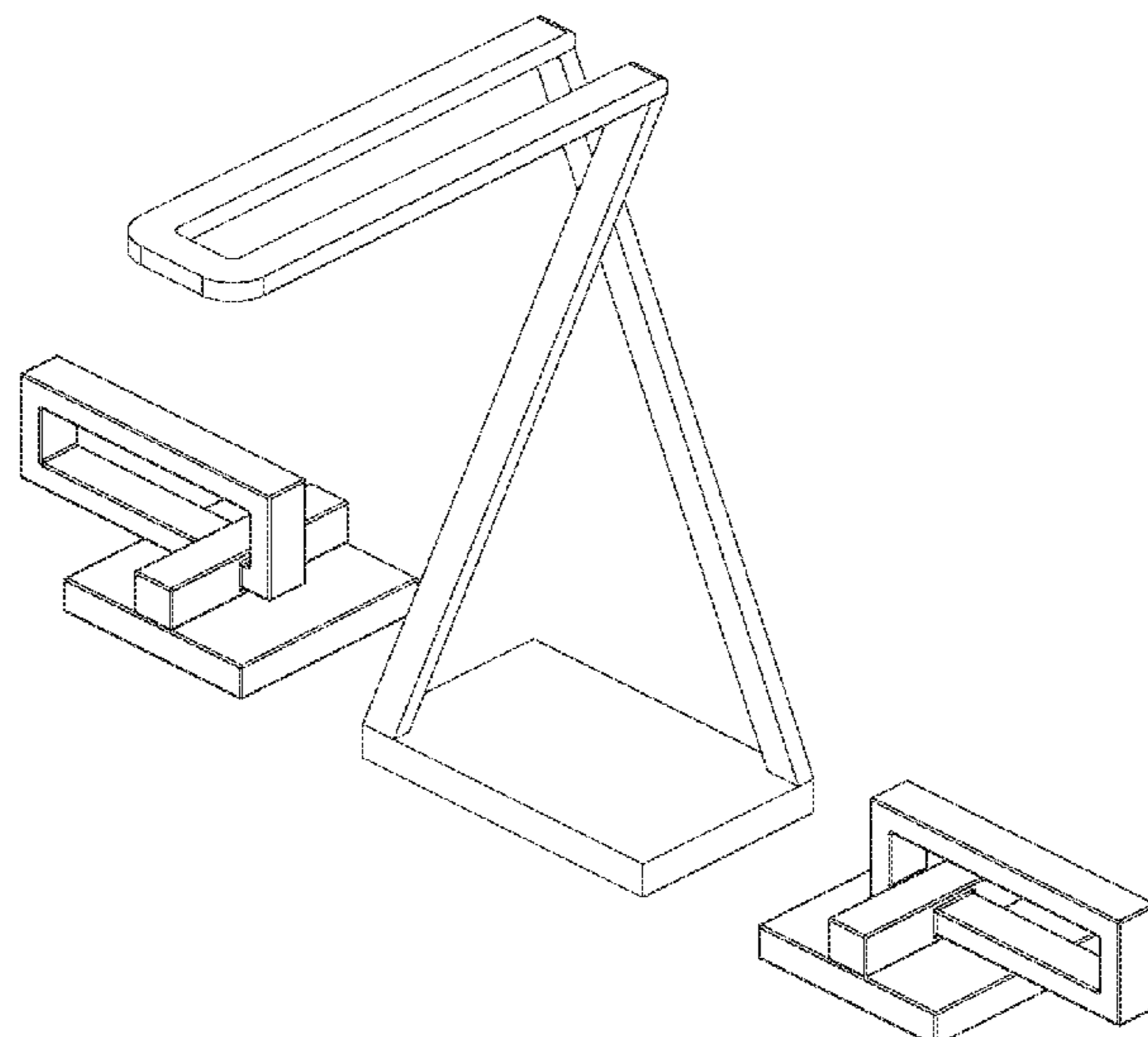
**U.S. PATENT DOCUMENTS**

D294,631 S \* 3/1988 Bourbon ..... D23/241  
D304,225 S \* 10/1989 Lathrop ..... D23/257  
D511,201 S \* 11/2005 Kulig ..... D23/238  
D540,917 S \* 4/2007 Kikuchi ..... D23/242  
D541,380 S \* 4/2007 Kikuchi ..... D23/238  
D541,385 S \* 4/2007 Haug ..... D23/252  
D576,711 S \* 9/2008 Urquiola ..... D23/250  
D609,310 S \* 2/2010 Urquiola ..... D23/250  
D667,932 S \* 9/2012 Kulig ..... D23/238  
8,573,257 B2 \* 11/2013 Lin ..... E03C 1/0404  
239/592  
D708,710 S \* 7/2014 Yu ..... D23/238

**DESCRIPTION**

FIG. 1 is a front perspective view of a faucet showing my  
new design;  
FIG. 2 is a rear perspective view thereof;  
FIG. 3 is a front elevational view thereof;  
FIG. 4 is a left side view thereof;  
FIG. 5 is a rear view thereof;  
FIG. 6 is a right side view thereof;  
FIG. 7 is a top plan view thereof; and,  
FIG. 8 is a bottom view thereof.

**1 Claim, 4 Drawing Sheets**



(56)

**References Cited**

U.S. PATENT DOCUMENTS

D846,082	S	*	4/2019	Eads	.....	D23/255
D848,573	S	*	5/2019	Eads	.....	D23/238
D848,581	S	*	5/2019	Fritz	.....	D23/255
D852,326	S	*	6/2019	McKeone	.....	D23/242
D855,779	S	*	8/2019	McKeone	.....	D23/255
D855,780	S	*	8/2019	McKeone	.....	D23/255
D879,918	S	*	3/2020	Fritz	.....	D23/255
D884,123	S	*	5/2020	Eads	.....	D23/238
D895,070	S	*	9/2020	Zhang	.....	D23/238
D895,071	S	*	9/2020	Zhang	.....	D23/238
D898,166	S	*	10/2020	Eads	.....	D23/255
D923,754	S	*	6/2021	Seum	.....	D23/255
D946,124	S	*	3/2022	Park	.....	D23/252
2019/0264825	A1	*	8/2019	Rosko	.....	E03C 1/048

FOREIGN PATENT DOCUMENTS

CN	202130340630.4	*	6/2021
CN	202130867156.0	*	12/2021
GB	9007760632-0002	*	3/2020

OTHER PUBLICATIONS

Amazon, HISTORY Taps for Bathroom Basin Black, posted May 15, 2020, [online], [visited May 12, 2022]. Internet, <URL: <https://www.amazon.co.uk/Bathroom-Vanity-Faucets-Geometric-Kitchen/dp/B088NY4ZL7/ref>> (Year: 2020).\*

\* cited by examiner

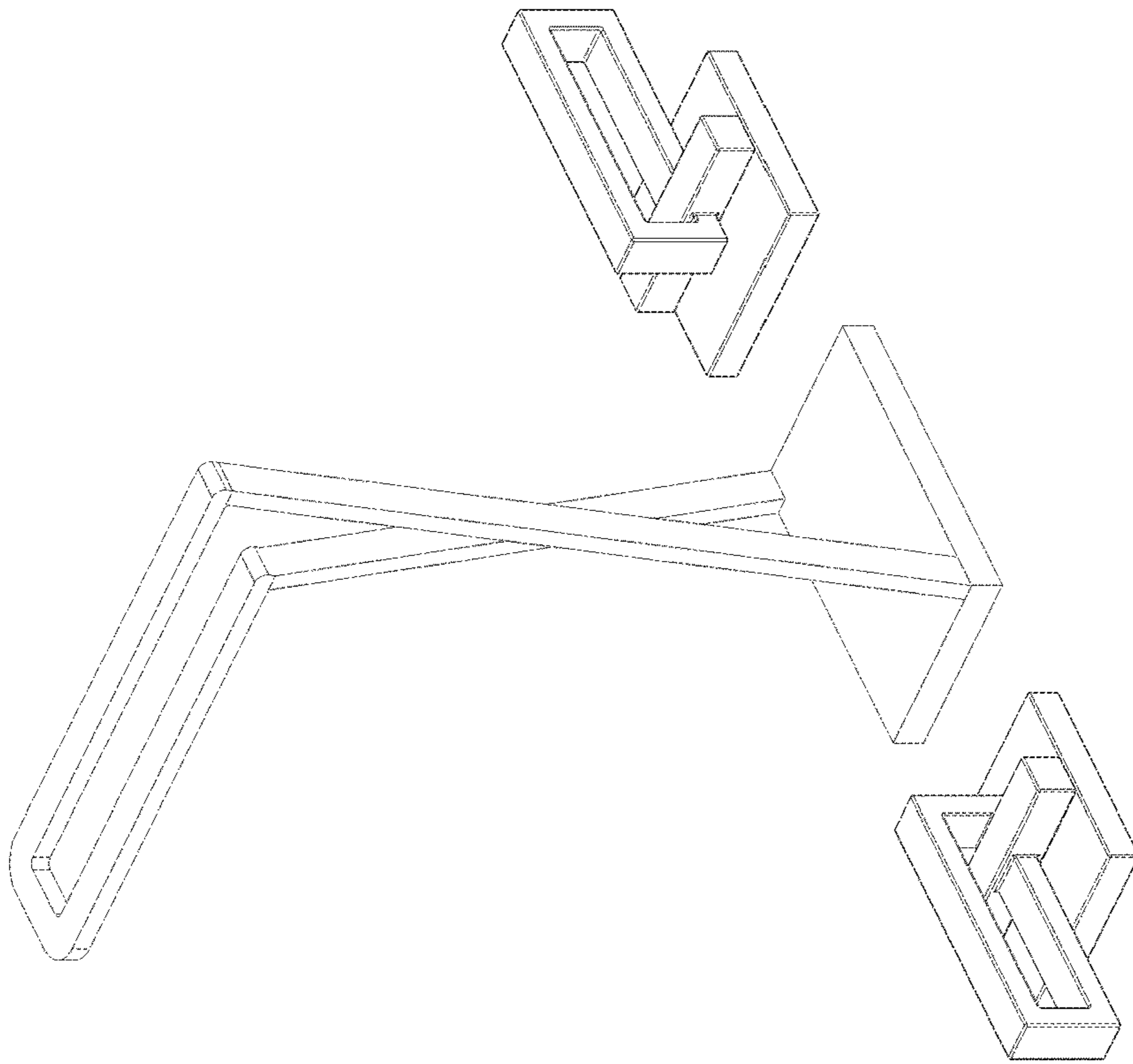


FIG - 2

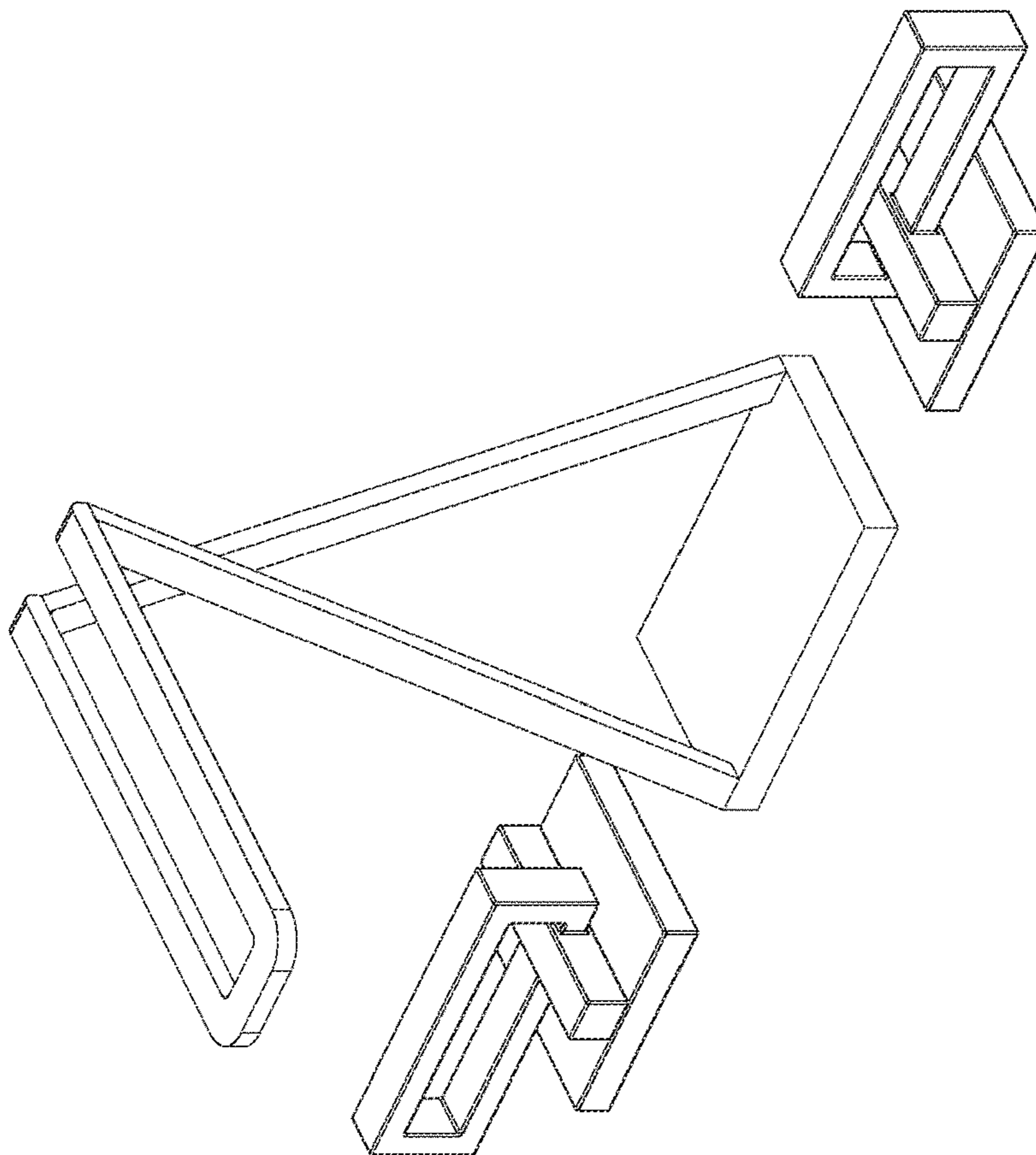


FIG - 1

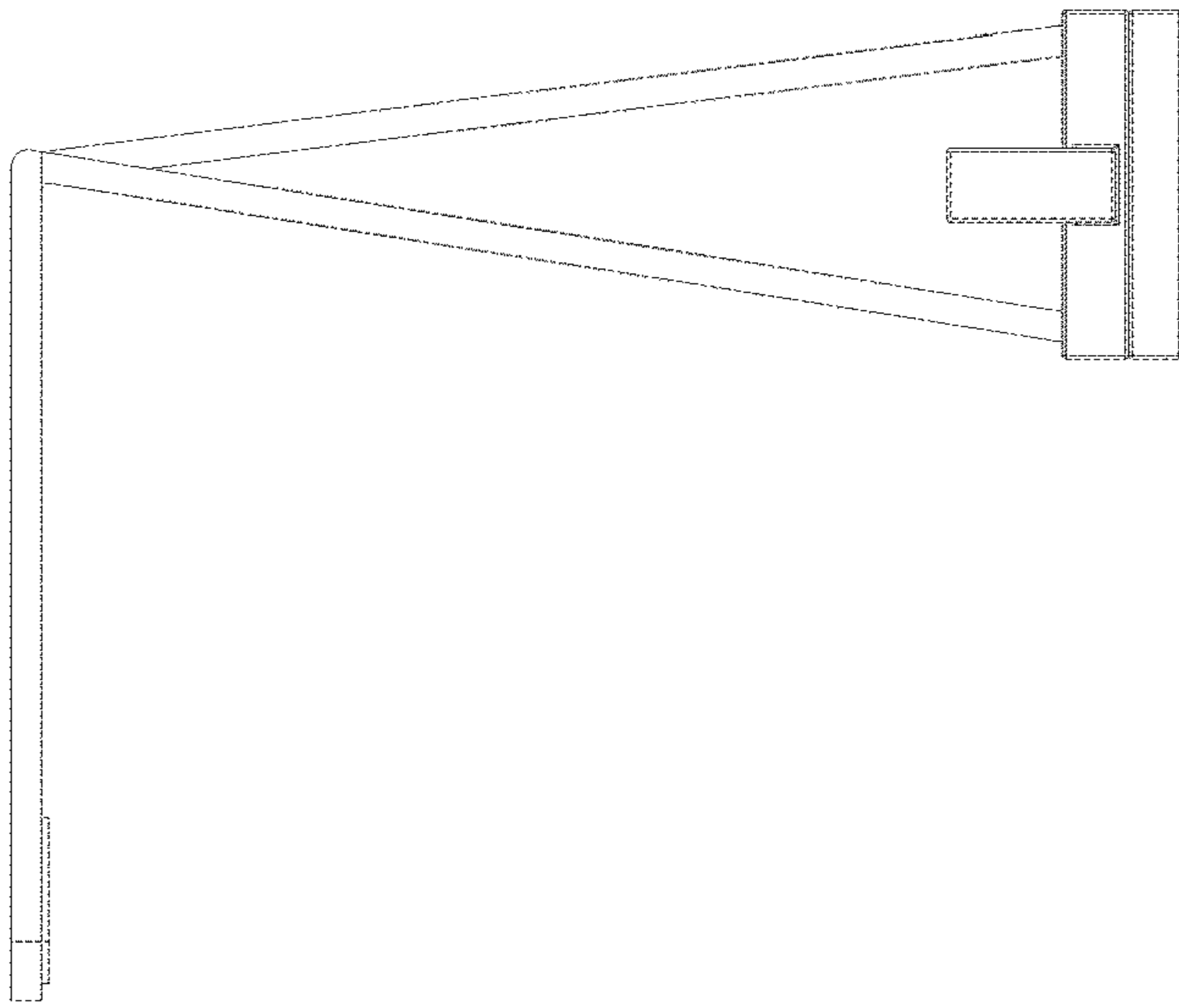


FIG - 4

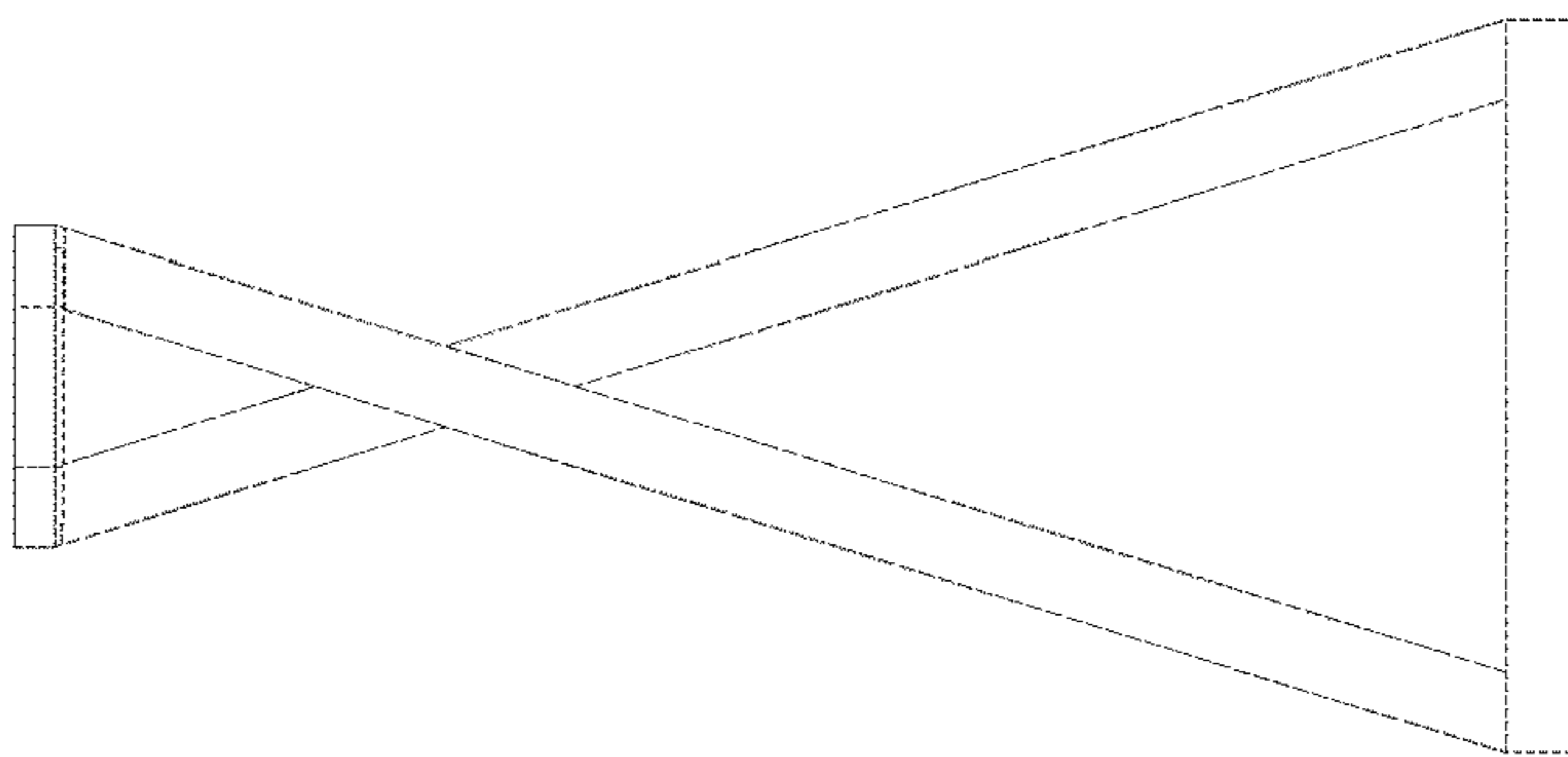
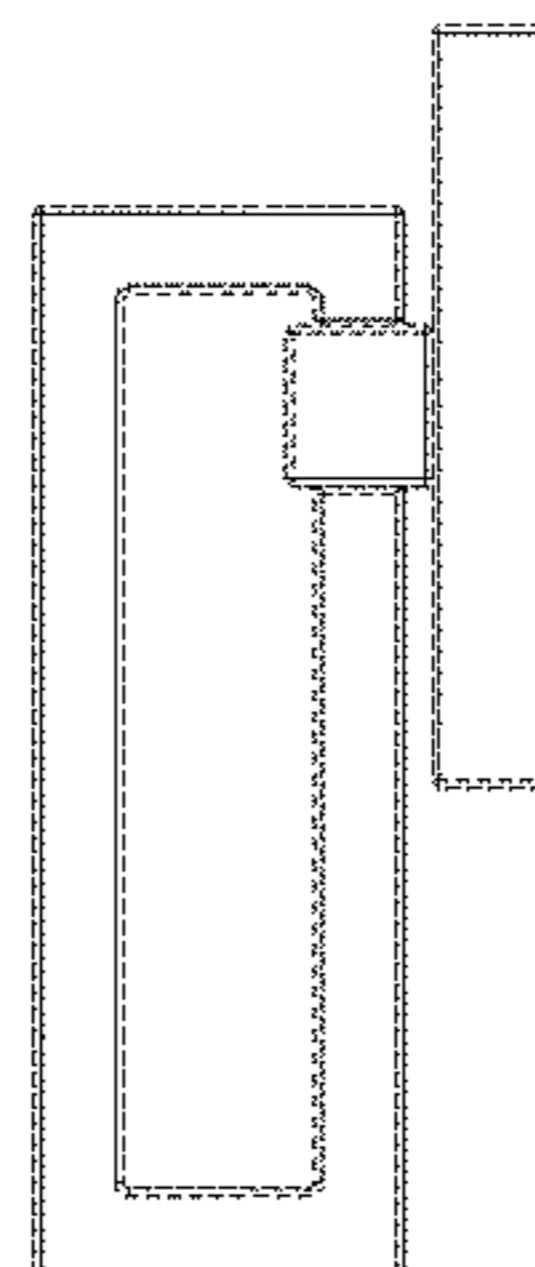


FIG - 3



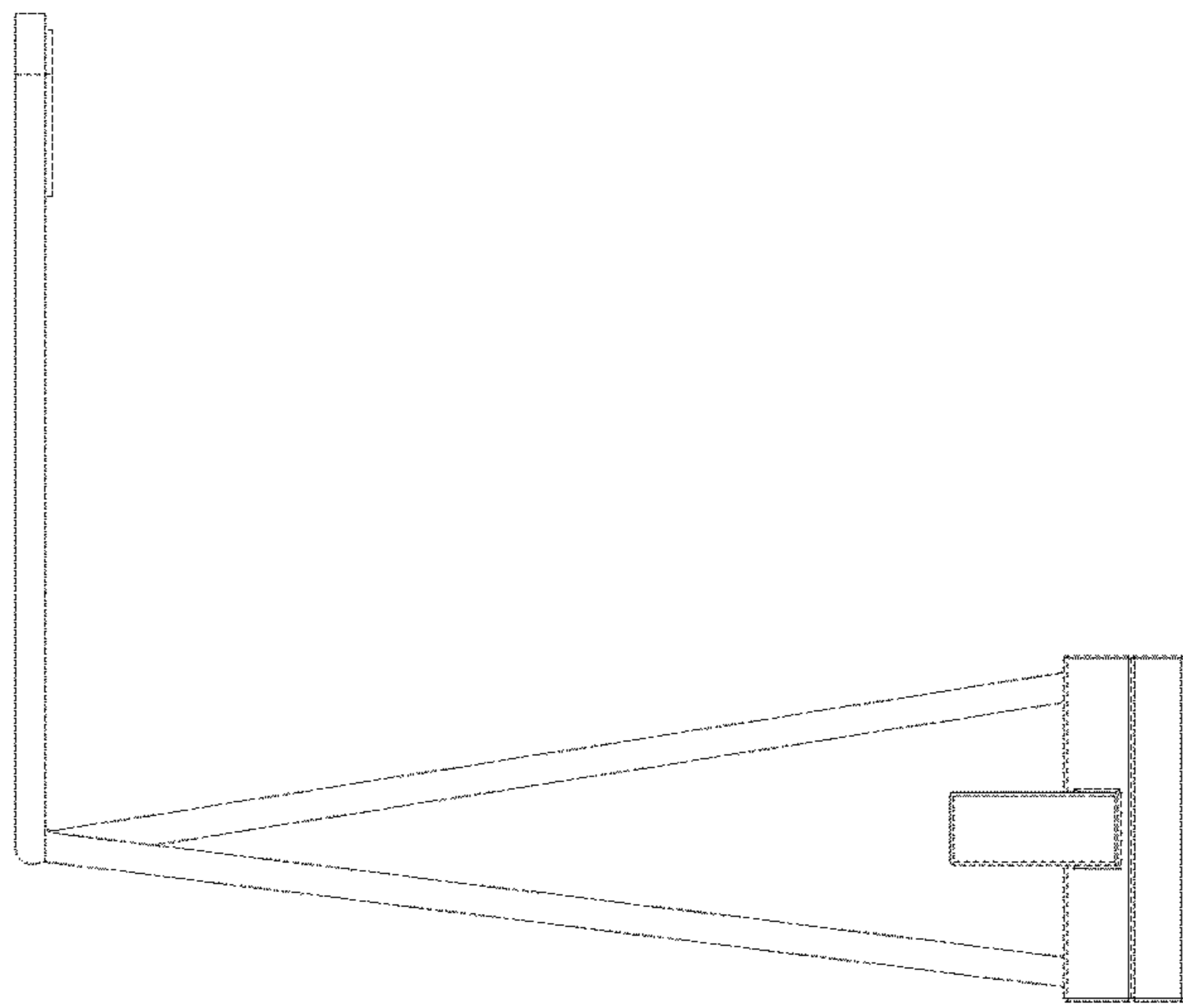


FIG - 6

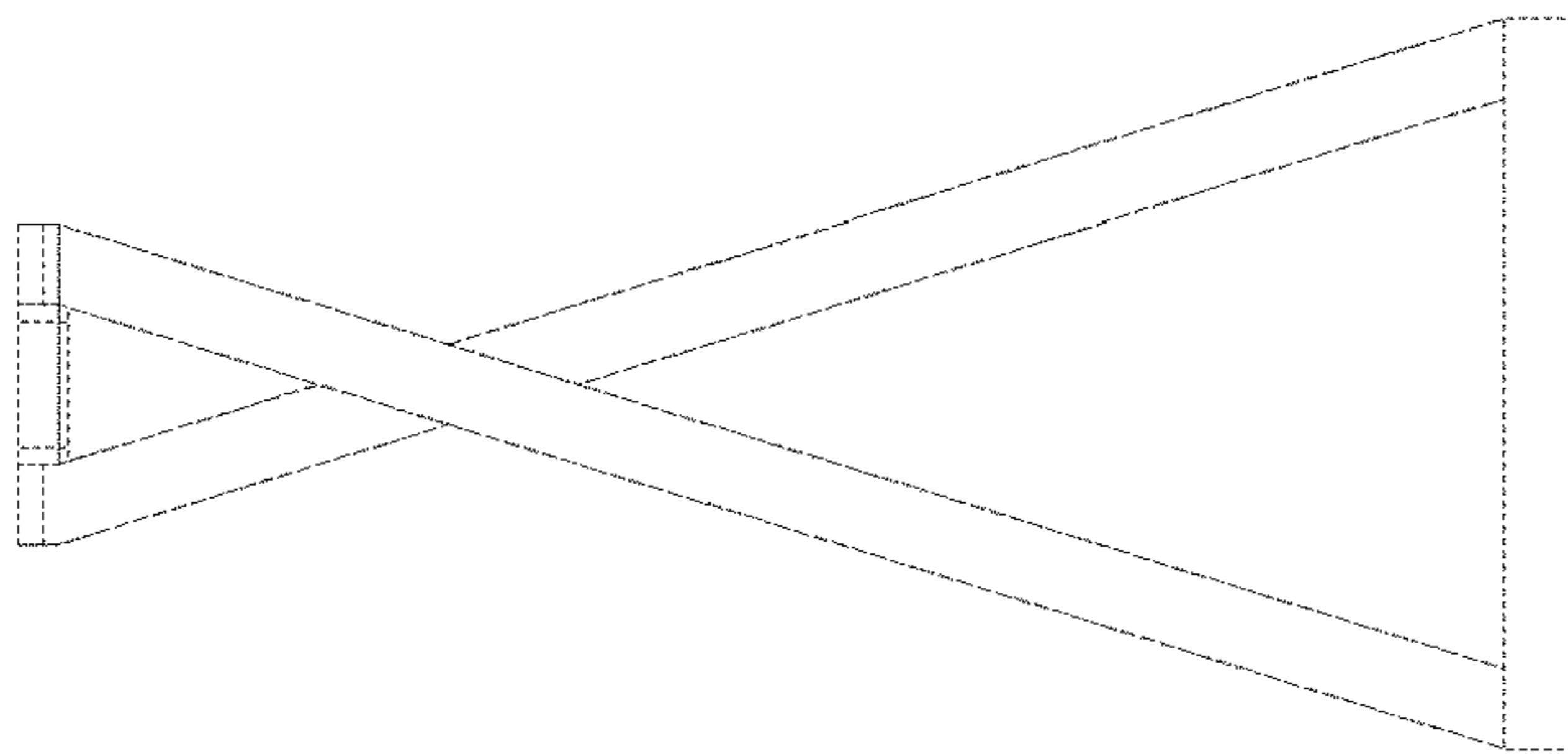
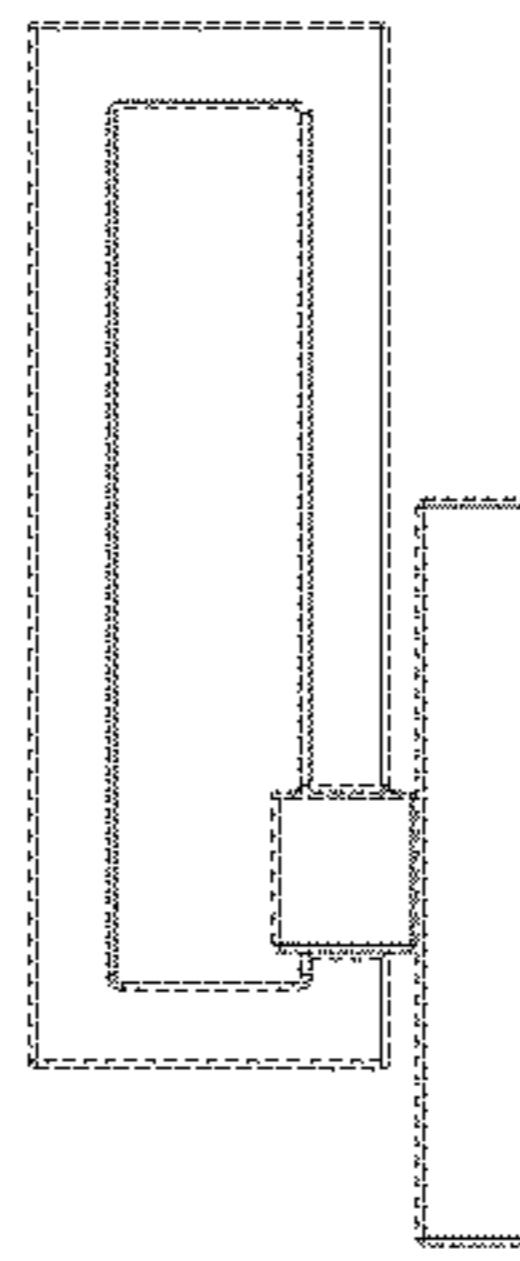
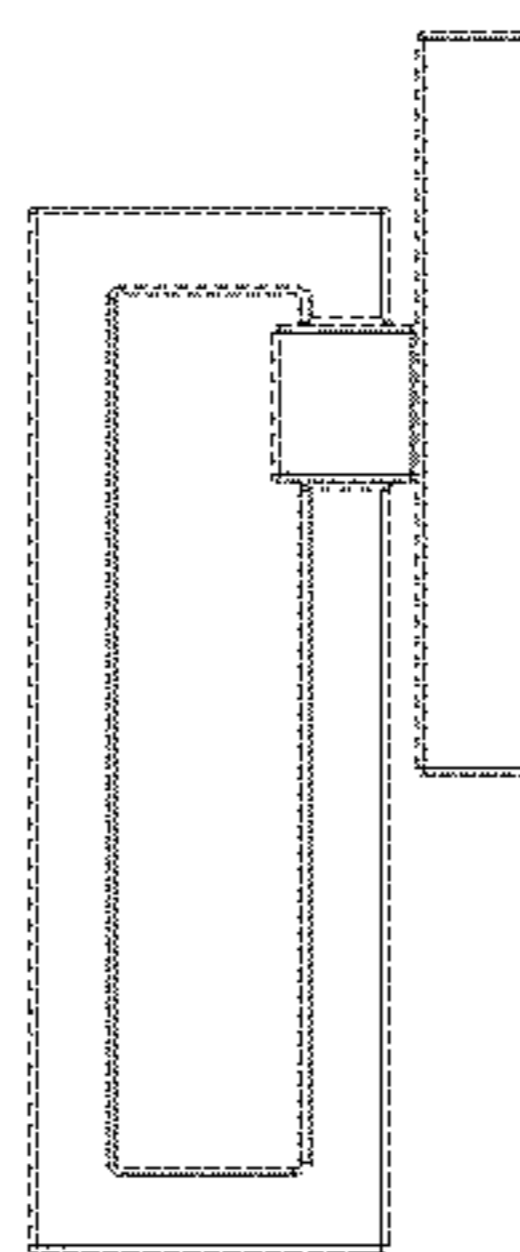


FIG - 5





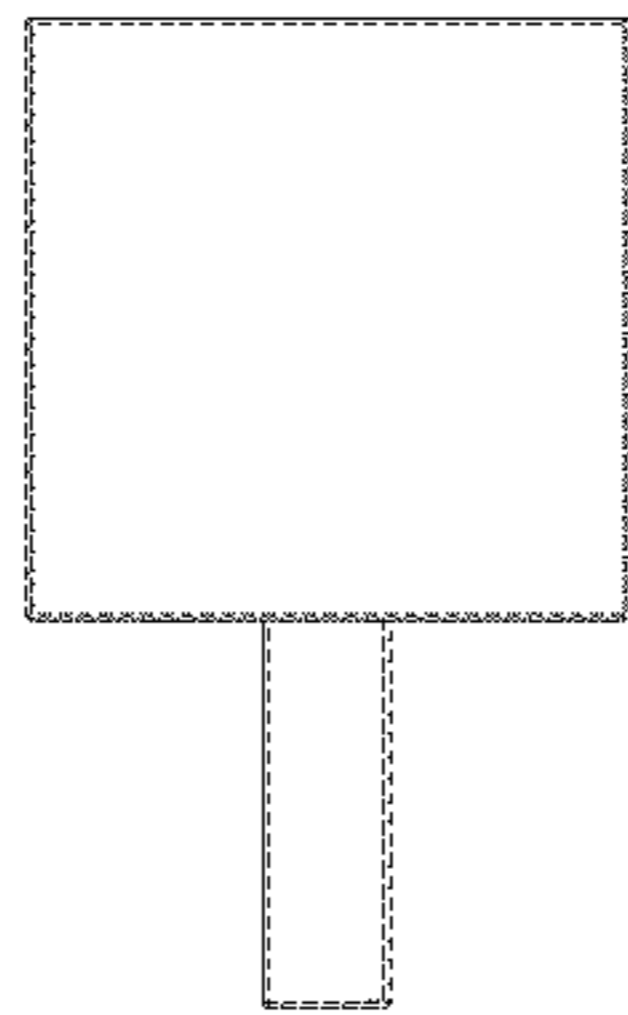
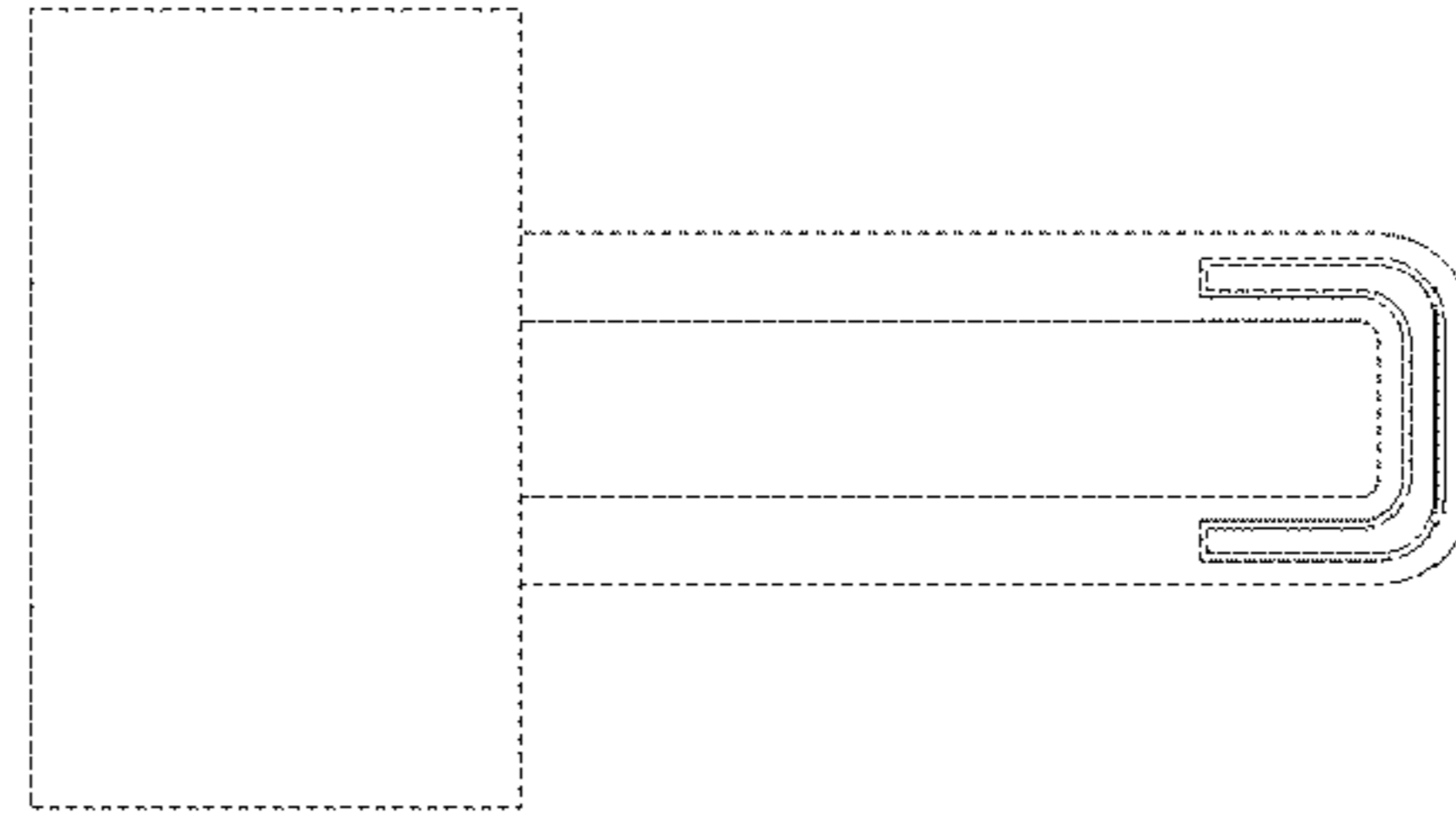
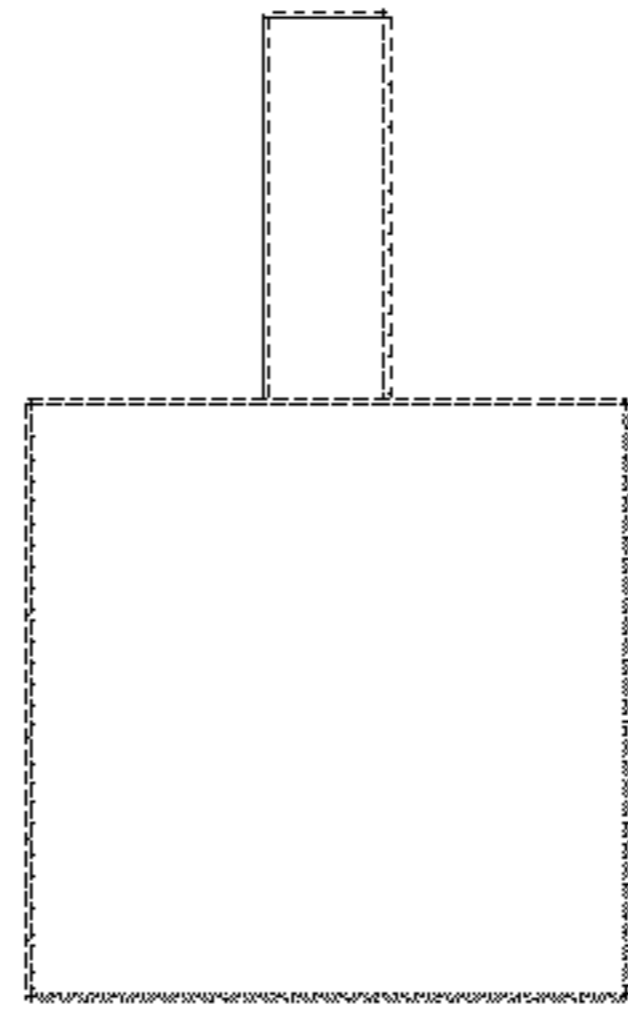
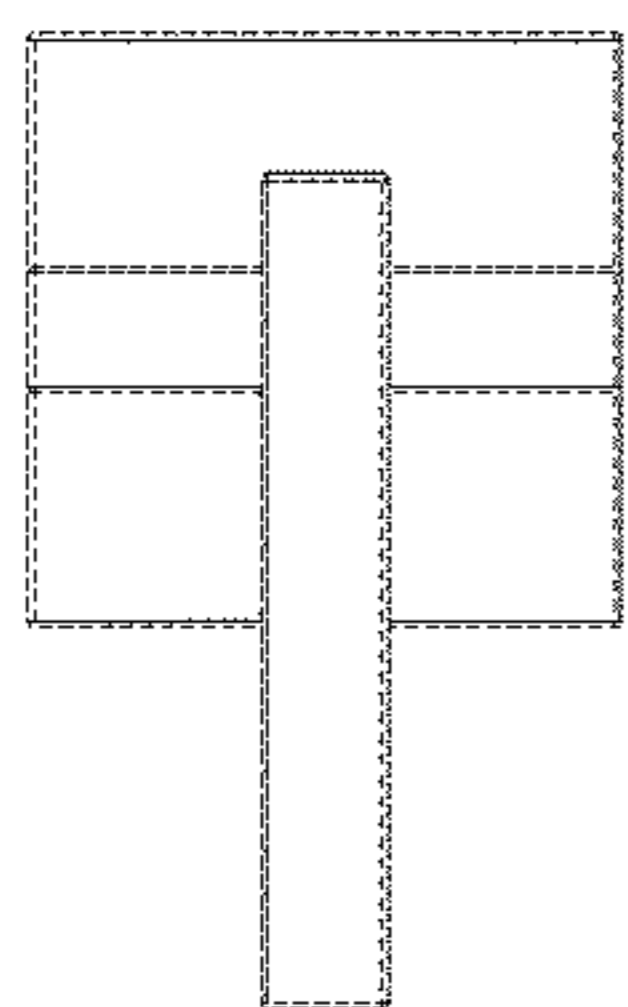
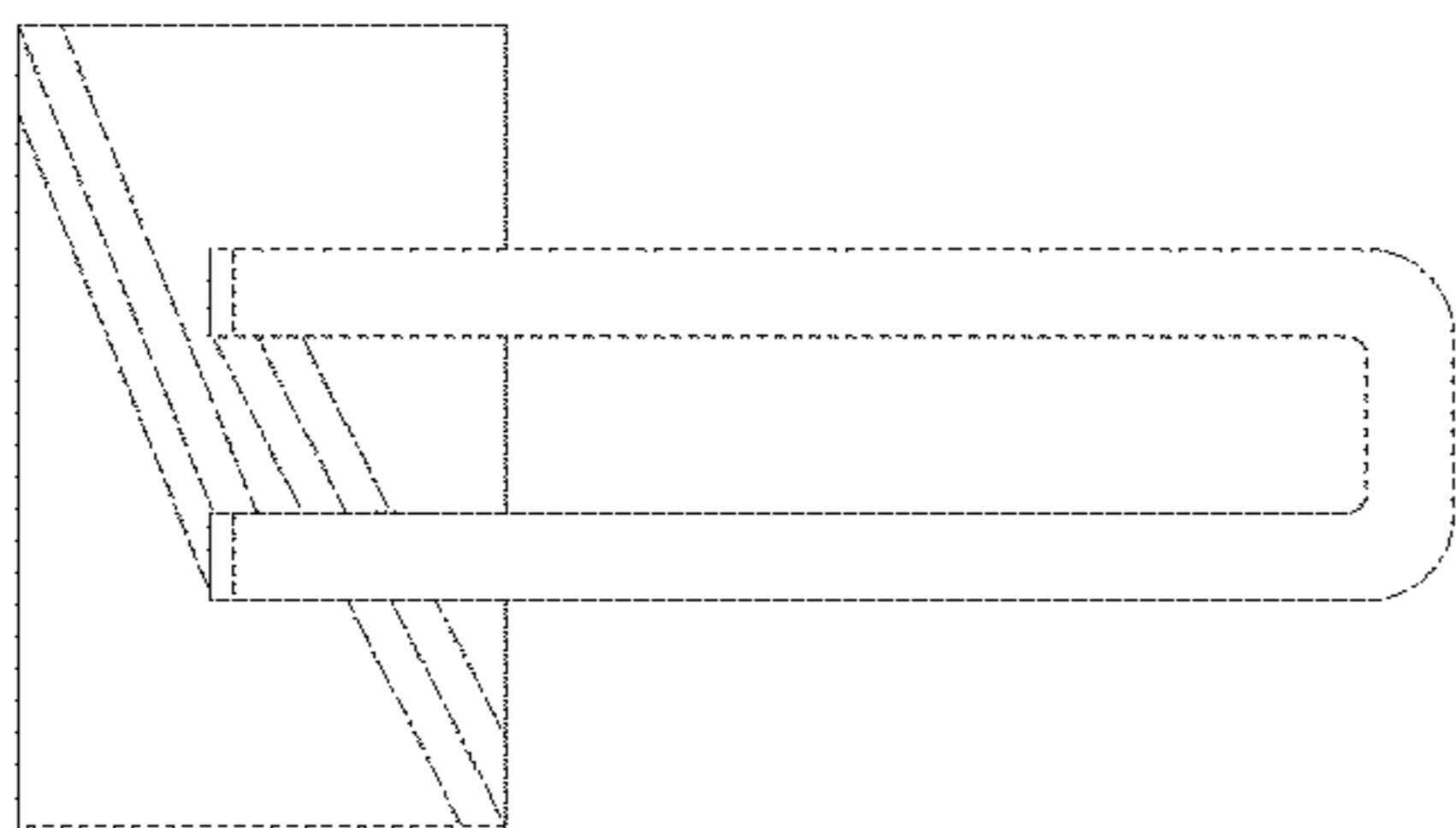
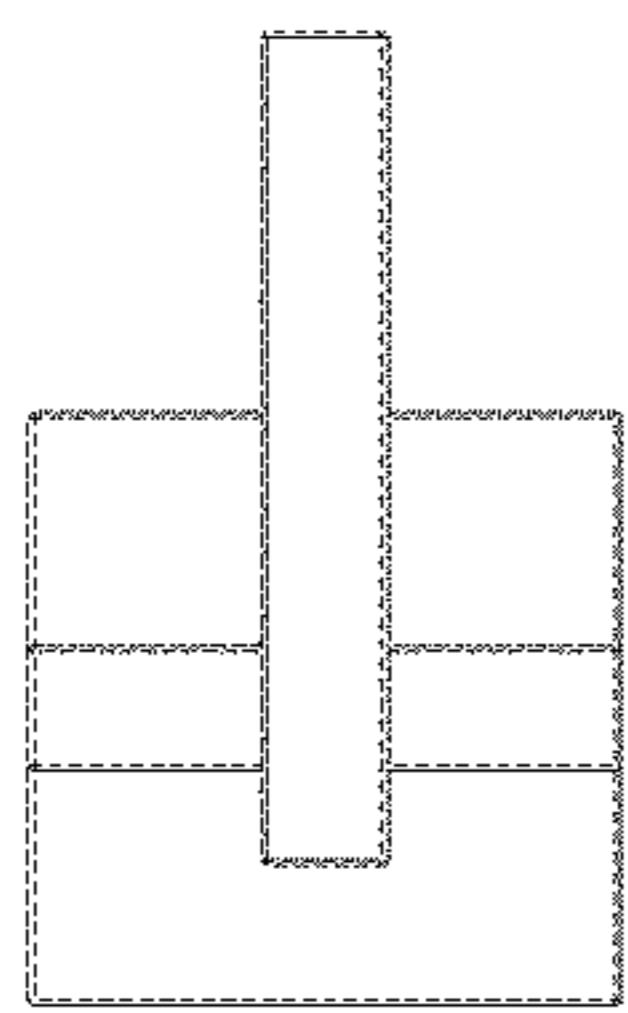


FIG - 7

FIG - 8