



US00D963115S

(12) **United States Design Patent**
Zhang

(10) **Patent No.:** **US D963,115 S**
(45) **Date of Patent:** **** Sep. 6, 2022**

(54) **FAUCET**

D662,187 S * 6/2012 Sieger D23/238
D708,712 S * 7/2014 Yu D23/238
D811,527 S 2/2018 Fritz
D873,961 S 1/2020 Garland

(71) Applicant: **WENZHOU ECONOMIC AND TECHNOLOGICAL DEVELOPMENT ZONE HAICHENG DONG LE MI SANITARY WARE SHOP**, Wenzhou (CN)

(72) Inventor: **Hua Zhang**, Chongqing (CN)

(73) Assignee: **WENZHOU ECONOMIC AND TECHNOLOGICAL DEVELOPMENT ZONE HAICHENG DONG LE MI SANITARY WARE SHOP**, Wenzhou (CN)

(**) Term: **15 Years**

(21) Appl. No.: **29/837,769**

(22) Filed: **May 9, 2022**

(51) **LOC (13) Cl.** **23-01**

(52) **U.S. Cl.**
USPC **D23/238**

(58) **Field of Classification Search**
USPC D23/238-243, 250, 252, 254-255, 257;
D8/307-308

See application file for complete search history.

(56) **References Cited**

U.S. PATENT DOCUMENTS

D323,550 S * 1/1992 Delepine D23/257
D330,935 S * 11/1992 Delepine D23/238
D536,767 S * 2/2007 Massaud D23/238
D580,524 S * 11/2008 Starck D23/254

OTHER PUBLICATIONS

Signature Hardware: Knox Waterfall Faucet. https://www.signaturehardware.com/knox-waterfall-single-hole-lavatory-faucet-with-pop-up-drain.html?pids=191916&gclsrc=aw.ds&gclid=EAlalQobChMlydrz0Pv1-AIVccqUCR1C6QOREAQYDSABEgLDcvD_BwE (Year: 2015).*

* cited by examiner

Primary Examiner — Robert A Delehanty
(74) *Attorney, Agent, or Firm* — Daniel M. Cohn;
Howard M. Cohn

(57) **CLAIM**

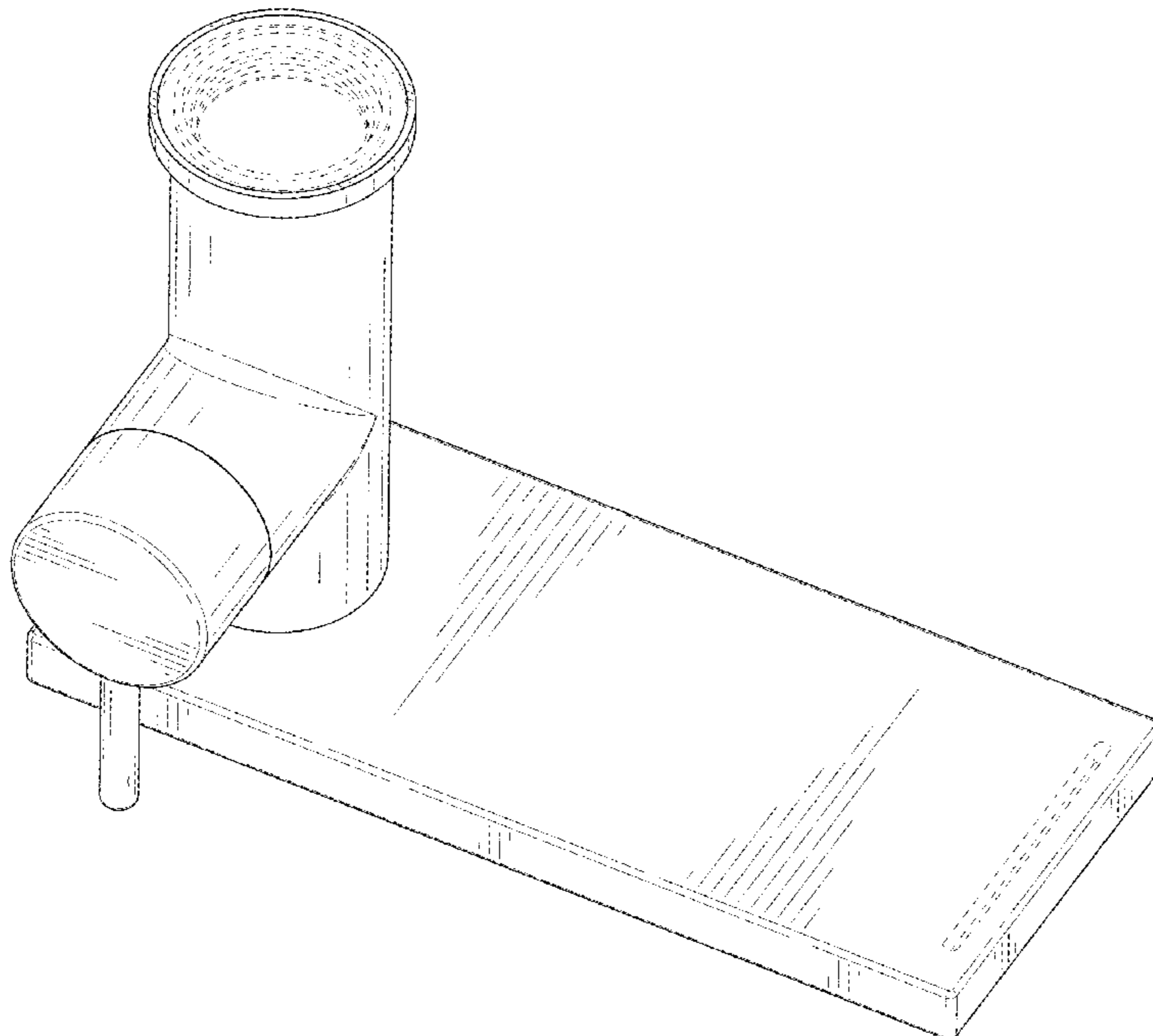
The ornamental design for a faucet, as shown and described.

DESCRIPTION

FIG. 1 is a perspective view of a faucet showing my new design;
FIG. 2 is another perspective view thereof;
FIG. 3 is a front elevational view thereof;
FIG. 4 is a rear elevational view thereof;
FIG. 5 is a left side elevational view thereof;
FIG. 6 is a right side elevational view thereof;
FIG. 7 is a top plan view thereof; and,
FIG. 8 is a bottom plan view thereof.

The broken lines in the drawings depict portions of the faucet that form no part of the claimed design.

1 Claim, 8 Drawing Sheets



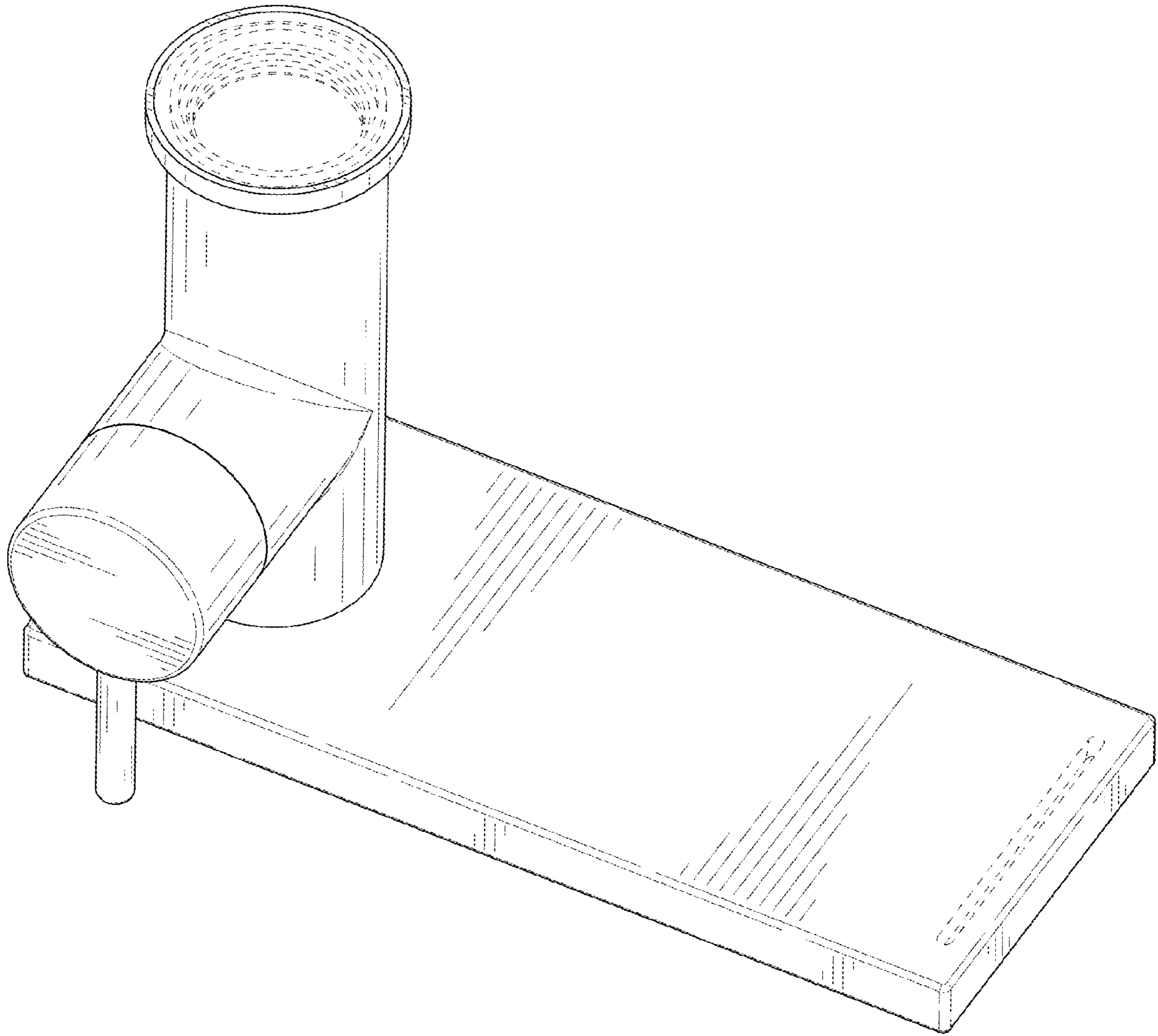


FIG. 1

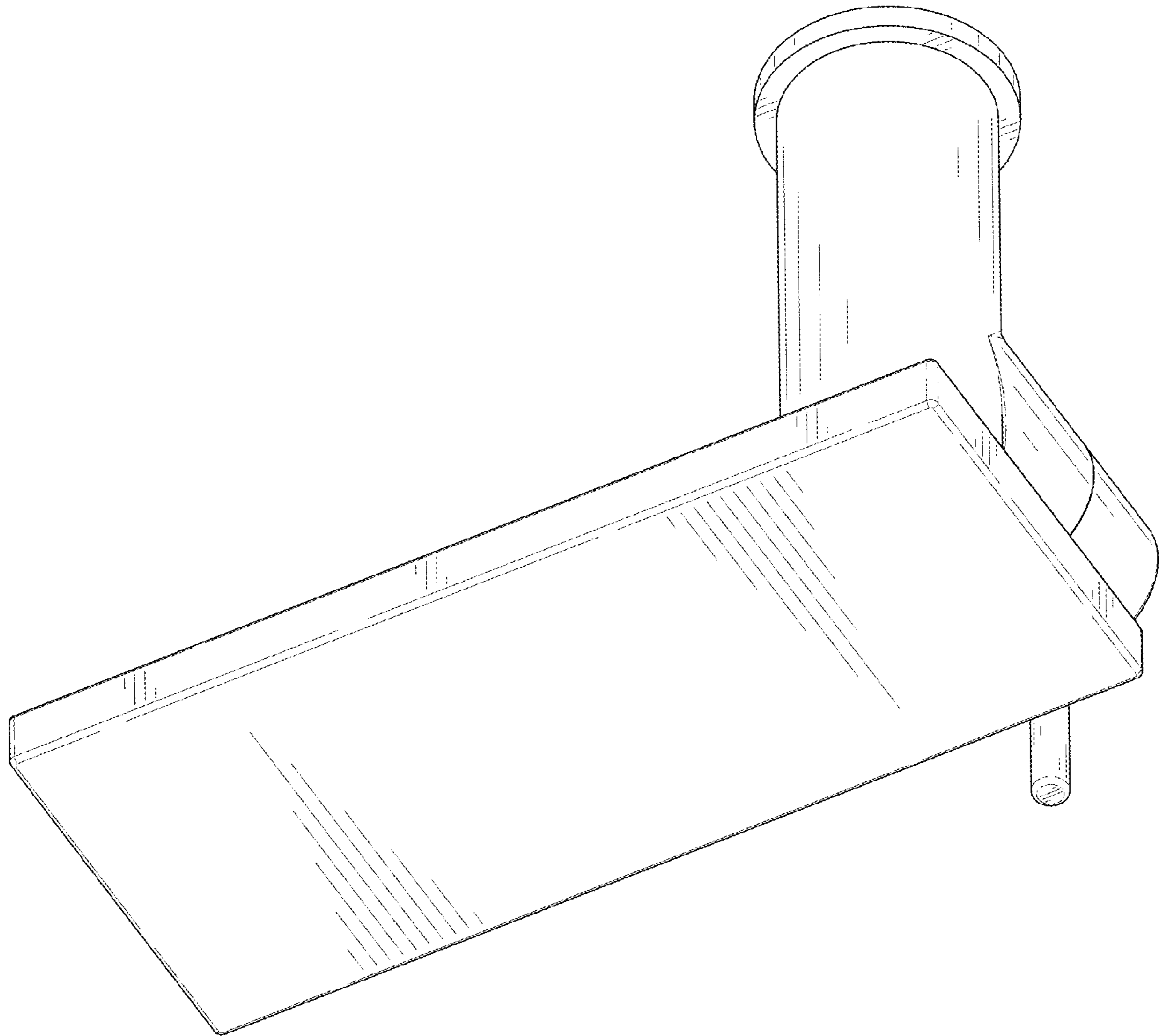


FIG. 2

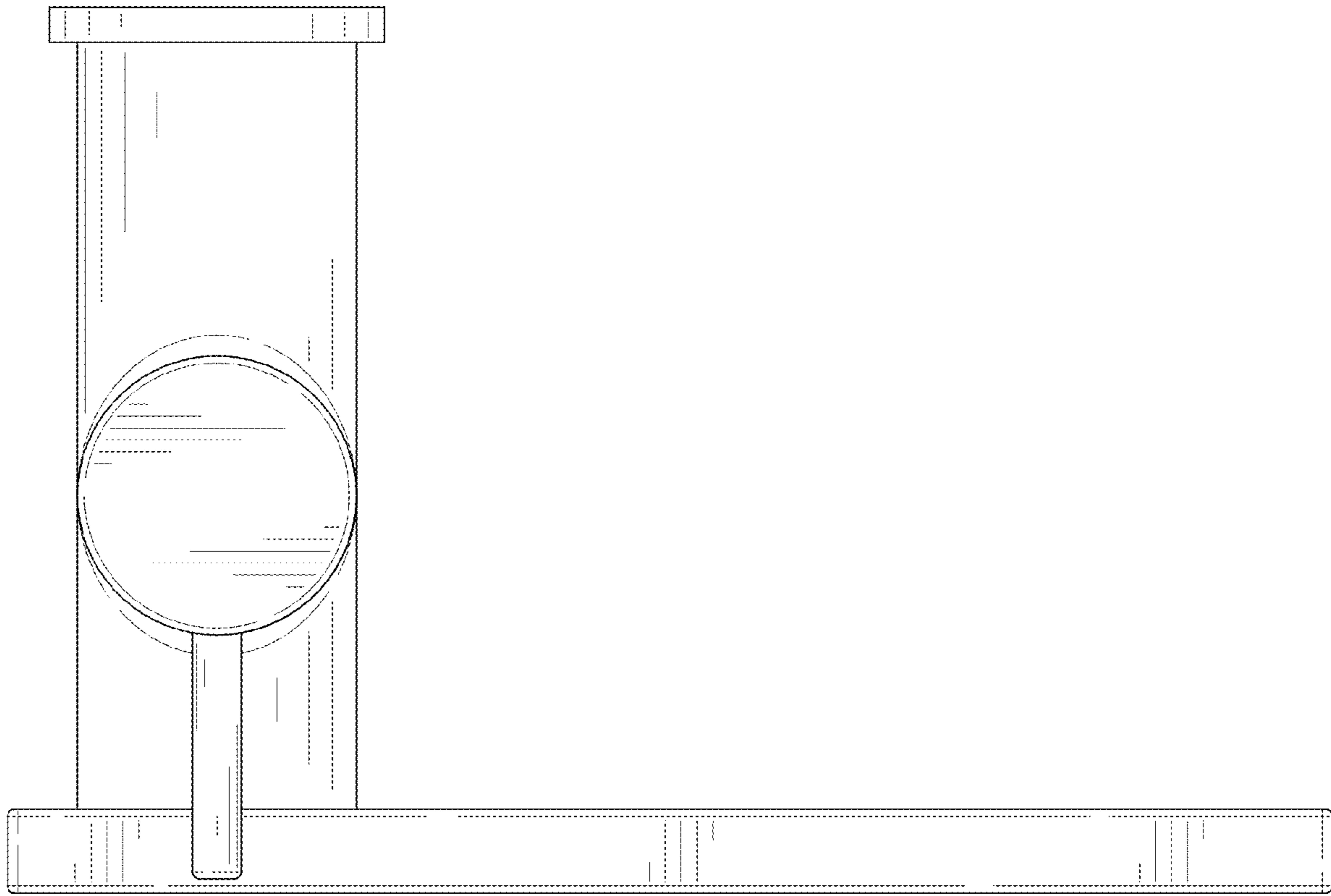


FIG. 3

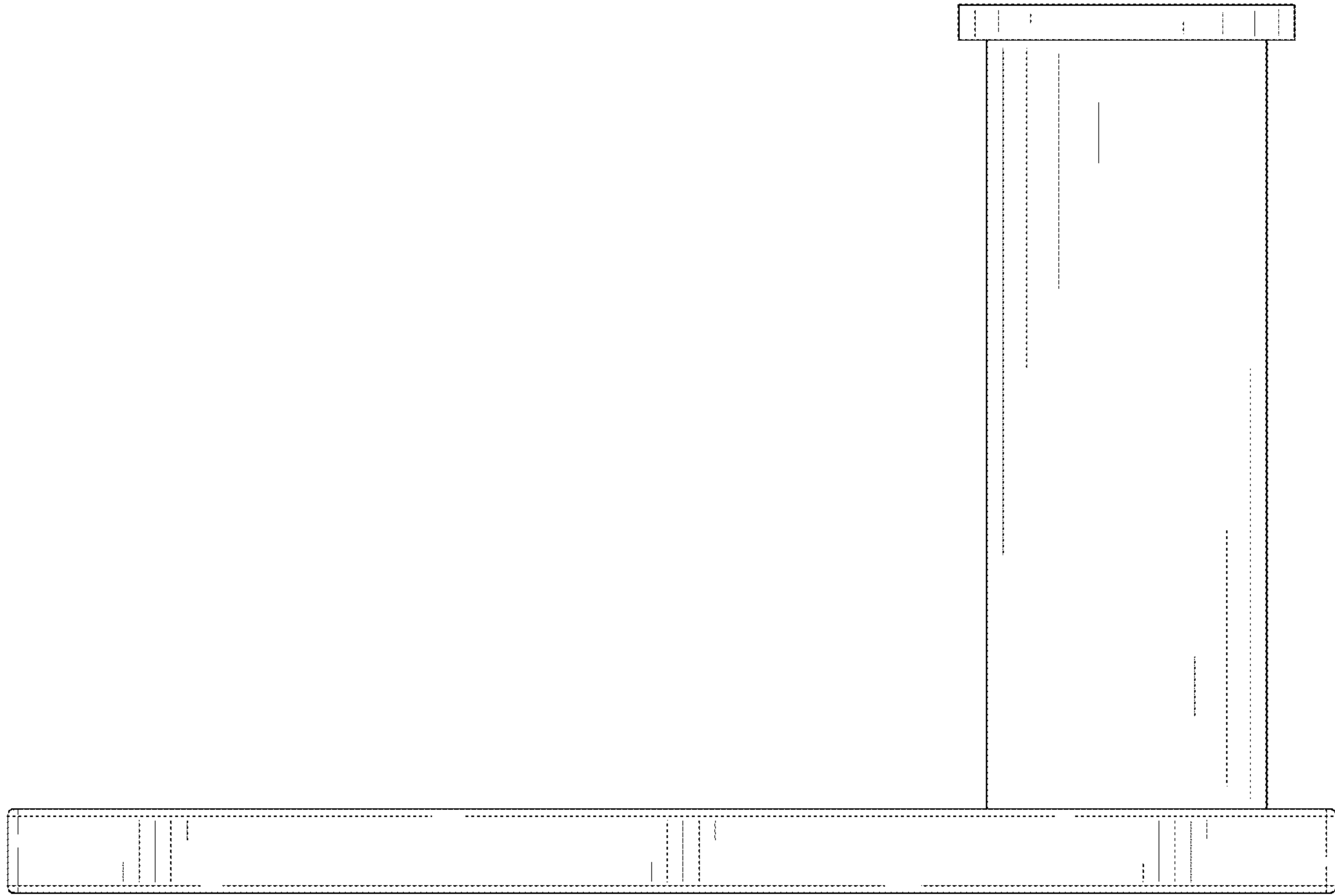


FIG. 4

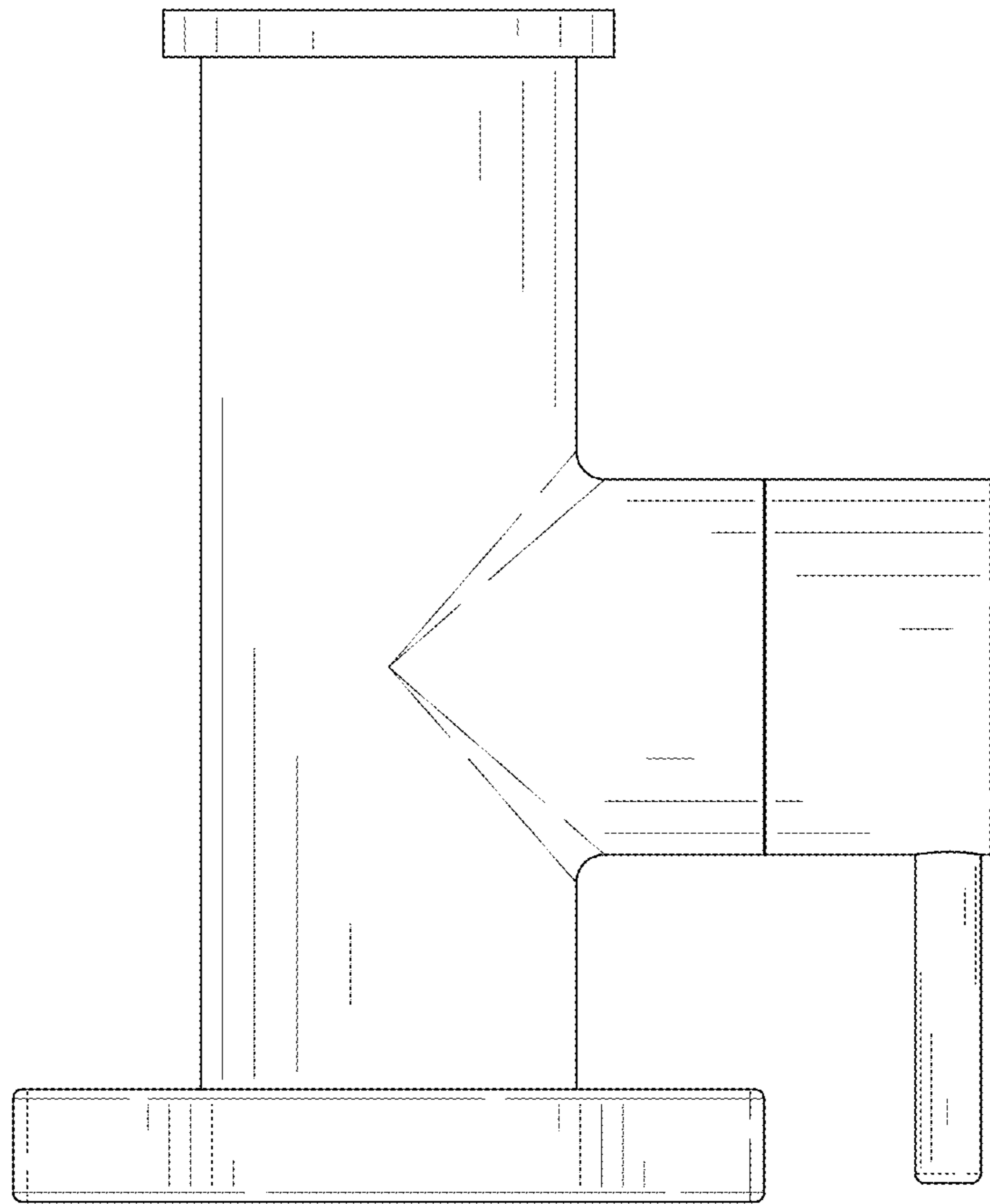


FIG. 5

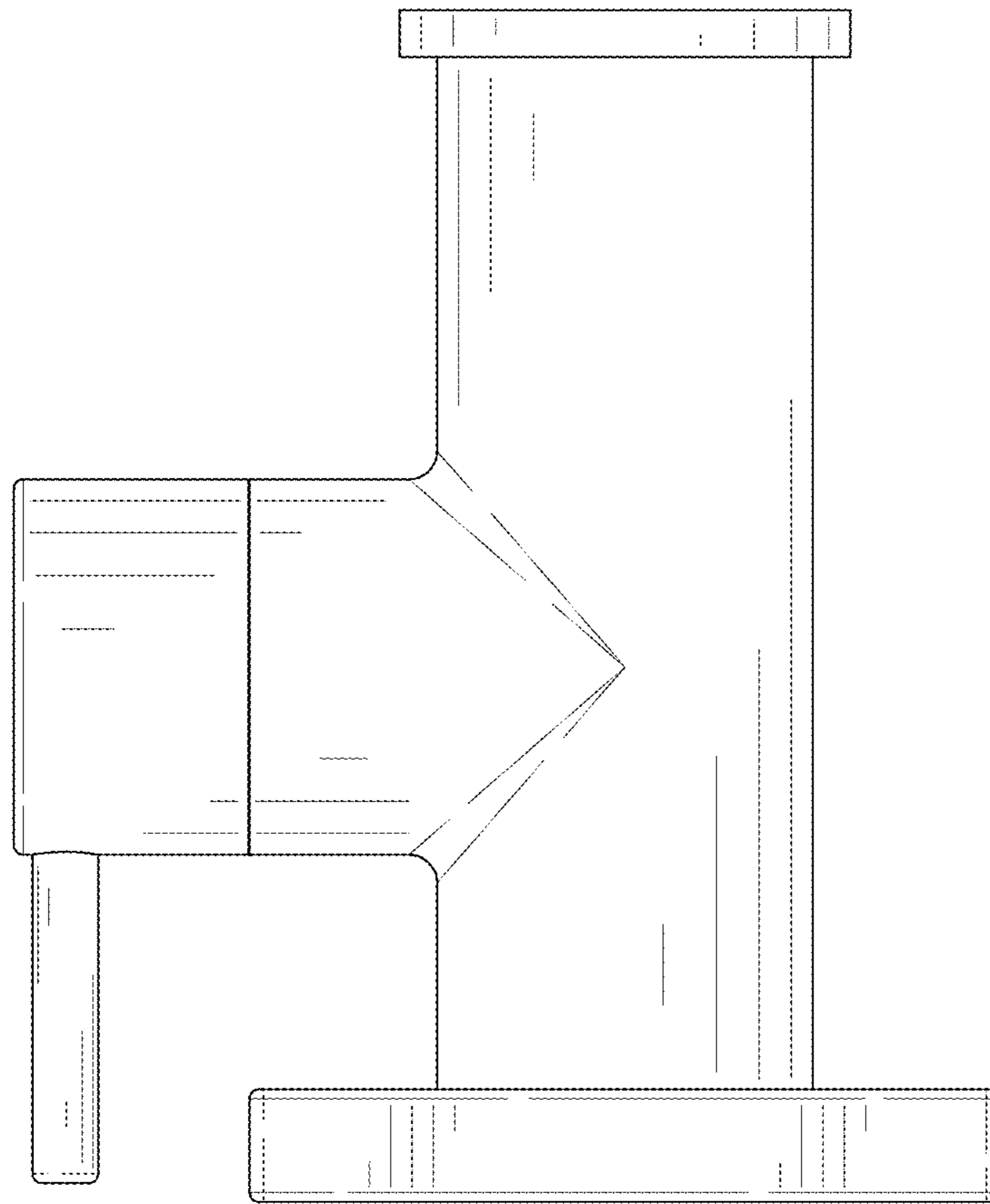


FIG. 6

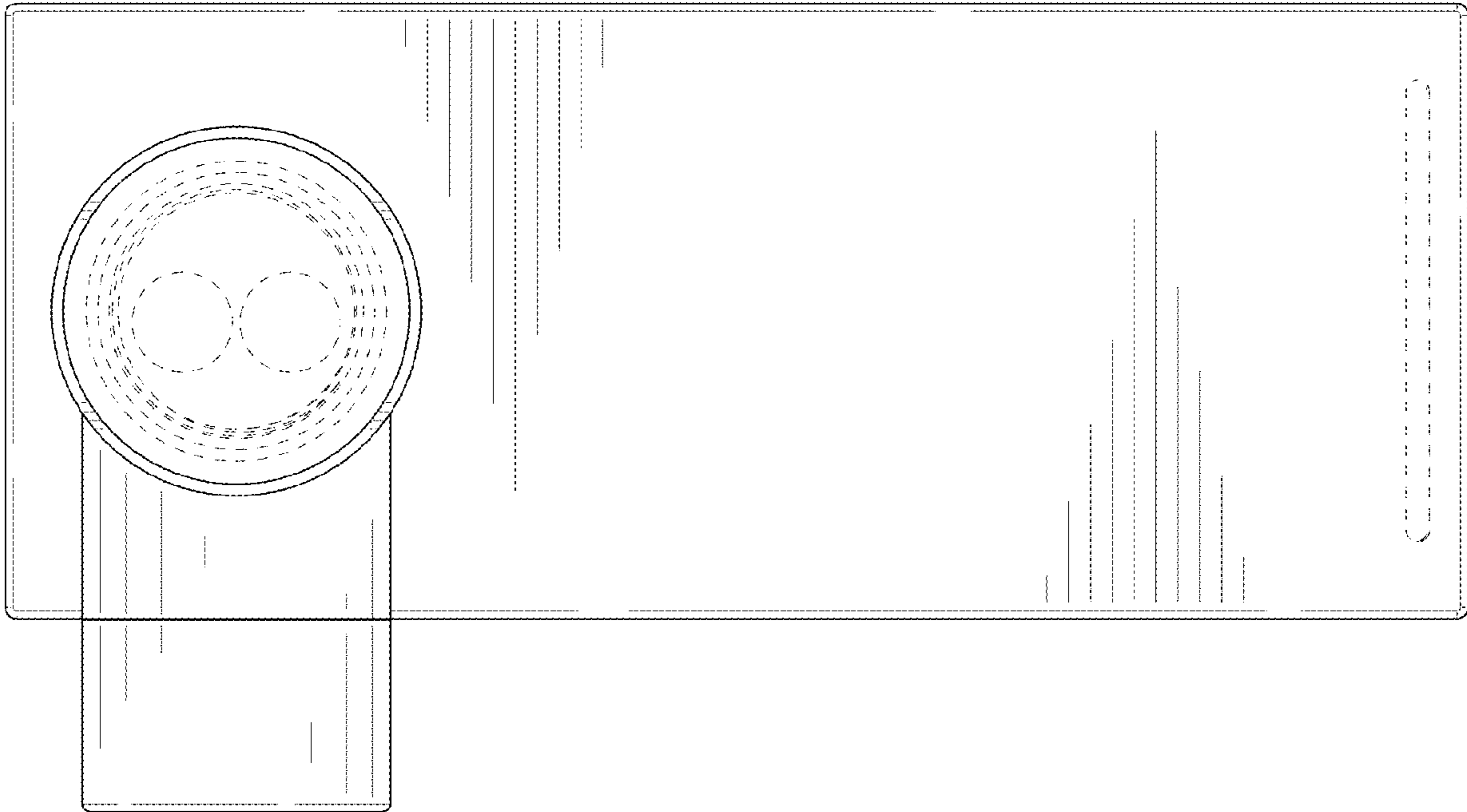


FIG. 7

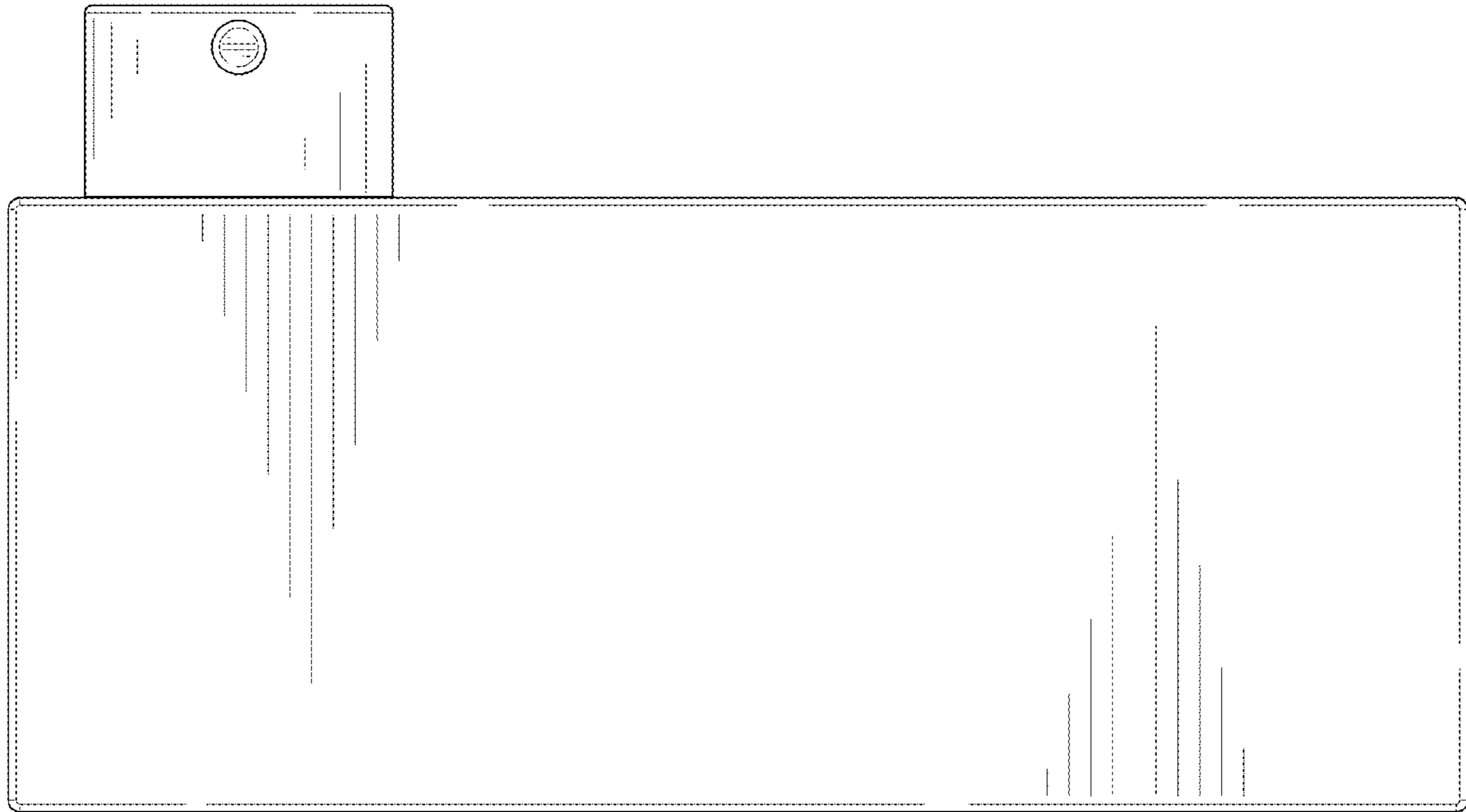


FIG. 8