



US00D963113S

(12) **United States Design Patent** (10) **Patent No.:** **US D963,113 S**  
**Witt et al.** (45) **Date of Patent:** **\*\* \*Sep. 6, 2022**

(54) **FAUCET**  
(71) Applicant: **HANSGROHE SE**, Schiltach (DE)  
(72) Inventors: **Alvaro Witt**, Stuttgart (DE); **Andreas Diefenbach**, Ludwigsburg-Ossweil (DE)  
(73) Assignee: **Hansgrohe SE**, Schiltach (DE)  
(\* ) Notice: This patent is subject to a terminal disclaimer.  
(\*\* ) Term: **15 Years**  
(21) Appl. No.: **29/757,424**  
(22) Filed: **Nov. 5, 2020**

D524,922 S \* 7/2006 Gilbert ..... D23/255  
D527,444 S \* 8/2006 Gilbert ..... D23/255  
D530,786 S \* 10/2006 Gilbert ..... D23/238  
D541,388 S \* 4/2007 Dolan ..... D23/255  
D574,064 S \* 7/2008 Hanna ..... D23/257  
D574,470 S \* 8/2008 Wolf ..... D23/255  
D581,027 S \* 11/2008 Dolan ..... D23/255  
D581,494 S \* 11/2008 Dolan ..... D23/255  
D582,013 S \* 12/2008 Yuan ..... D23/252

(Continued)

**FOREIGN PATENT DOCUMENTS**

CN 03362340.6 \* 9/2003  
CN 301118685 1/2010

(Continued)

**OTHER PUBLICATIONS**

Amazon, Funime Kitchen Sink Mixer Taps, posted Nov. 1, 2017, [online], [visited Dec. 27, 2021]. Internet, <URL: <https://www.amazon.co.uk/Hododou-Kitchen-Monobloc-Standard-Fittings/dp/B0772HN86N/ref>> (Year: 2017).\*

*Primary Examiner* — Samantha Wood  
(74) *Attorney, Agent, or Firm* — Lora J Graentzdoerffer

(57) **CLAIM**

The ornamental design for a faucet, as shown and described.

**DESCRIPTION**

FIG. 1 is a perspective view of a faucet showing our design; FIG. 2 is a front elevational view; FIG. 3 is a rear elevational view; FIG. 4 is a side elevational view; FIG. 5 is a side elevational view; FIG. 6 is a top plan view; and, FIG. 7 is a bottom plan view.

The broken lines are included for the purpose of illustrating portions of the faucet and form no part of the claimed design.

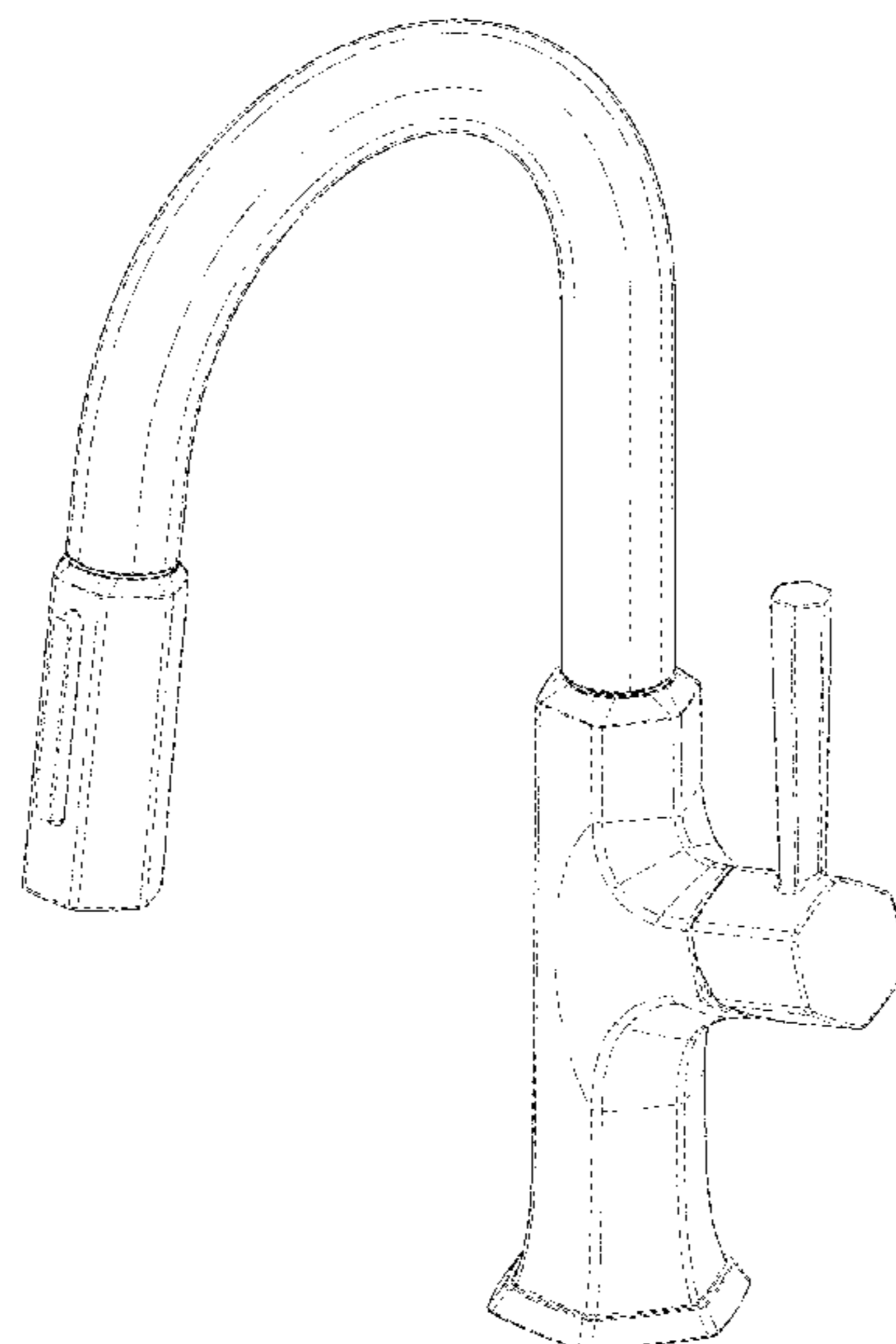
**1 Claim, 7 Drawing Sheets**

(30) **Foreign Application Priority Data**  
May 11, 2020 (EM) ..... 007880810-0009  
(51) **LOC (13) Cl.** ..... **23-01**  
(52) **U.S. Cl.**  
USPC ..... **D23/238**  
(58) **Field of Classification Search**  
USPC ..... D23/257, 249, 254, 259, 255, 233, 234, D23/235, 236, 237, 238, 240, 241, 242, D23/243, 250, 251, 252, 253  
CPC ..... E03C 1/01; E03C 1/0409; E03C 1/025; E03C 1/0408; E03C 1/04; E03C 1/0401; E03C 1/0402; E03C 1/0405; E03C 1/0412; Y10T 137/5339; Y10T 137/6014; Y10T 137/6021  
See application file for complete search history.

(56) **References Cited**

**U.S. PATENT DOCUMENTS**

D76,904 S \* 11/1928 Sherman ..... D23/254  
D175,819 S \* 10/1955 Young ..... D23/252  
D300,653 S \* 4/1989 Paul ..... D23/255  
D522,624 S \* 6/2006 Koury ..... D23/252



(56)

**References Cited**

U.S. PATENT DOCUMENTS

D603,023 S \* 10/2009 Tippens ..... D23/257  
8,256,463 B2 \* 9/2012 Farag ..... E03C 1/04  
137/801  
D683,825 S \* 6/2013 Sofield ..... D23/255  
D693,906 S \* 11/2013 Zhang ..... D23/238  
D697,588 S \* 1/2014 Schoenherr ..... D23/238  
D718,421 S \* 11/2014 Smith ..... D23/252  
D718,424 S \* 11/2014 Smith ..... D23/255  
8,925,571 B2 \* 1/2015 Li ..... E03C 1/0402  
137/315.12  
D764,631 S \* 8/2016 Schoenherr ..... D23/238  
D786,403 S \* 5/2017 Schoenherr ..... D23/238  
D829,865 S \* 10/2018 Georgeson ..... D23/238  
D834,148 S \* 11/2018 Thomas ..... D23/242  
D835,237 S 12/2018 Ziemann et al.  
D867,537 S \* 11/2019 Garland ..... D23/242  
D868,211 S \* 11/2019 Garland ..... D23/238  
D896,348 S \* 9/2020 Zhang ..... D23/238

FOREIGN PATENT DOCUMENTS

EM 002188151-0002 2/2013  
EM 002261230-0001 7/2013  
EM 003873991-0006 5/2017

\* cited by examiner

FIG. 1

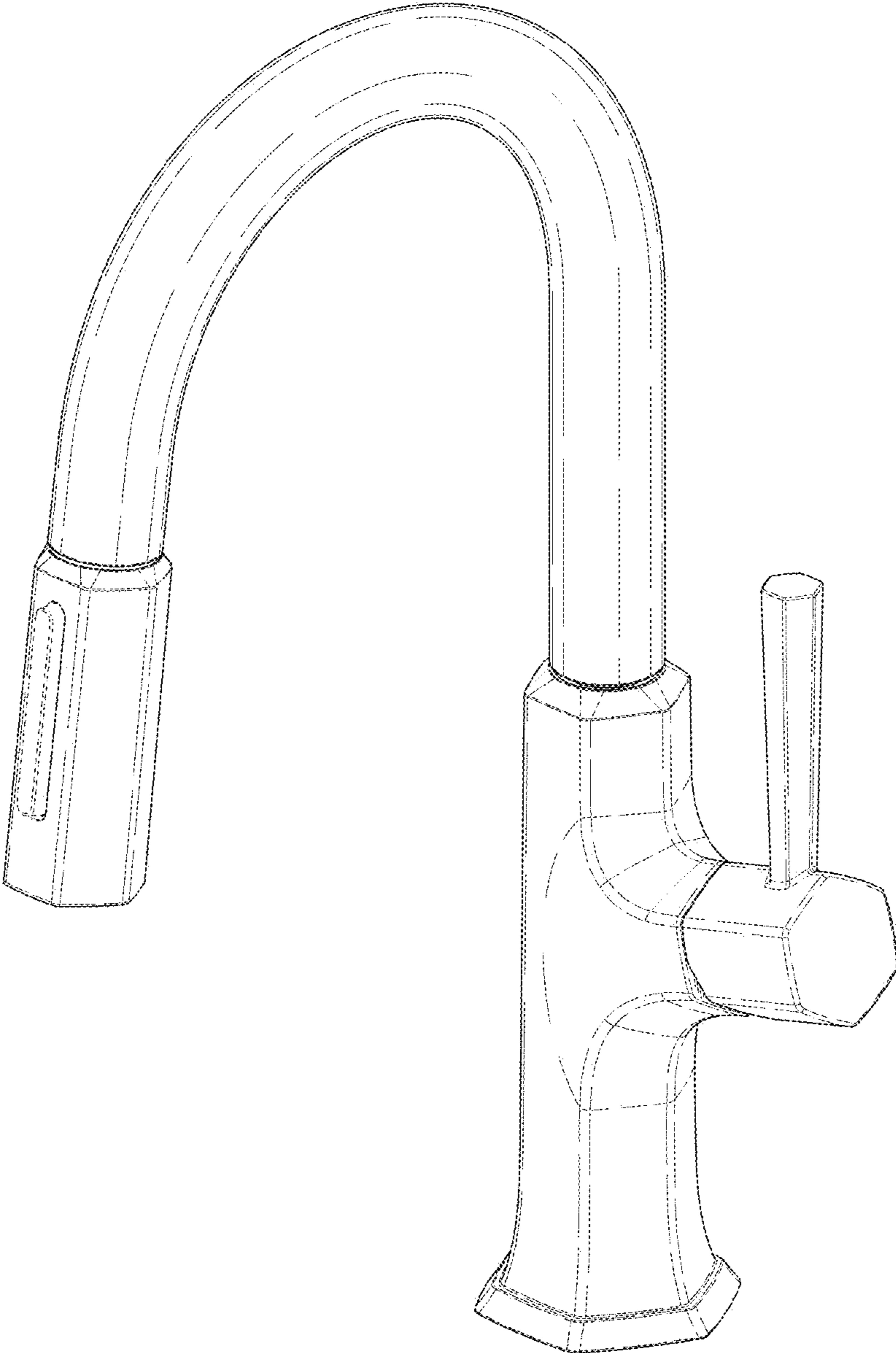


FIG. 2

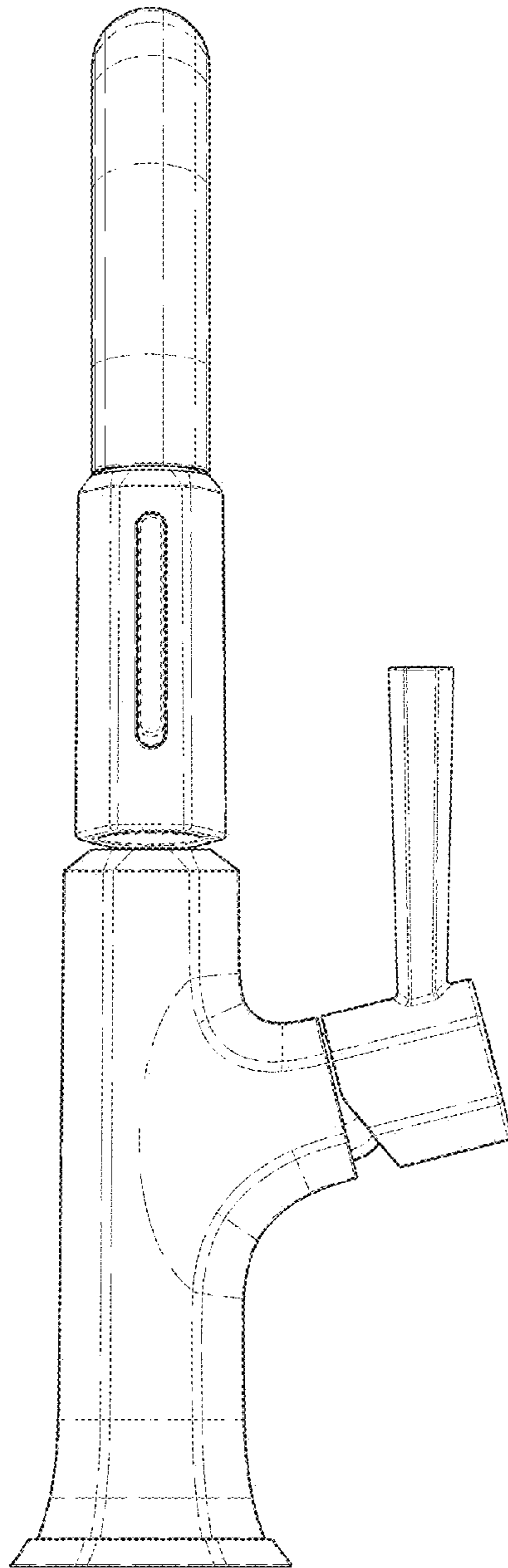


FIG. 3

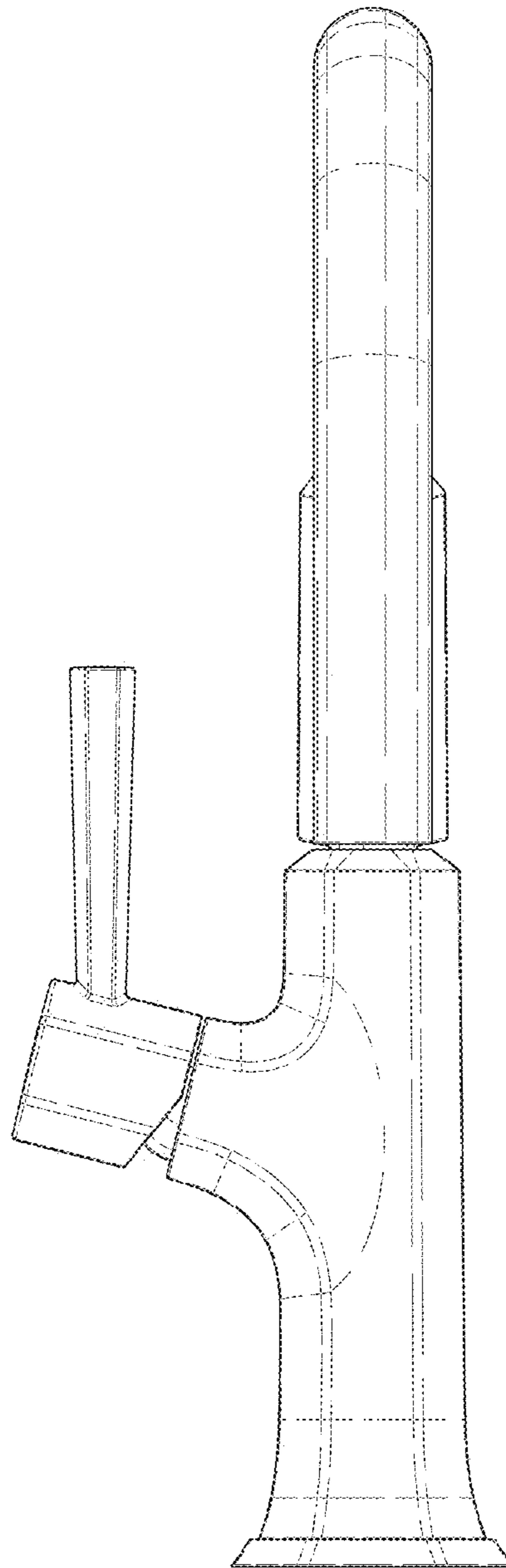


FIG. 4

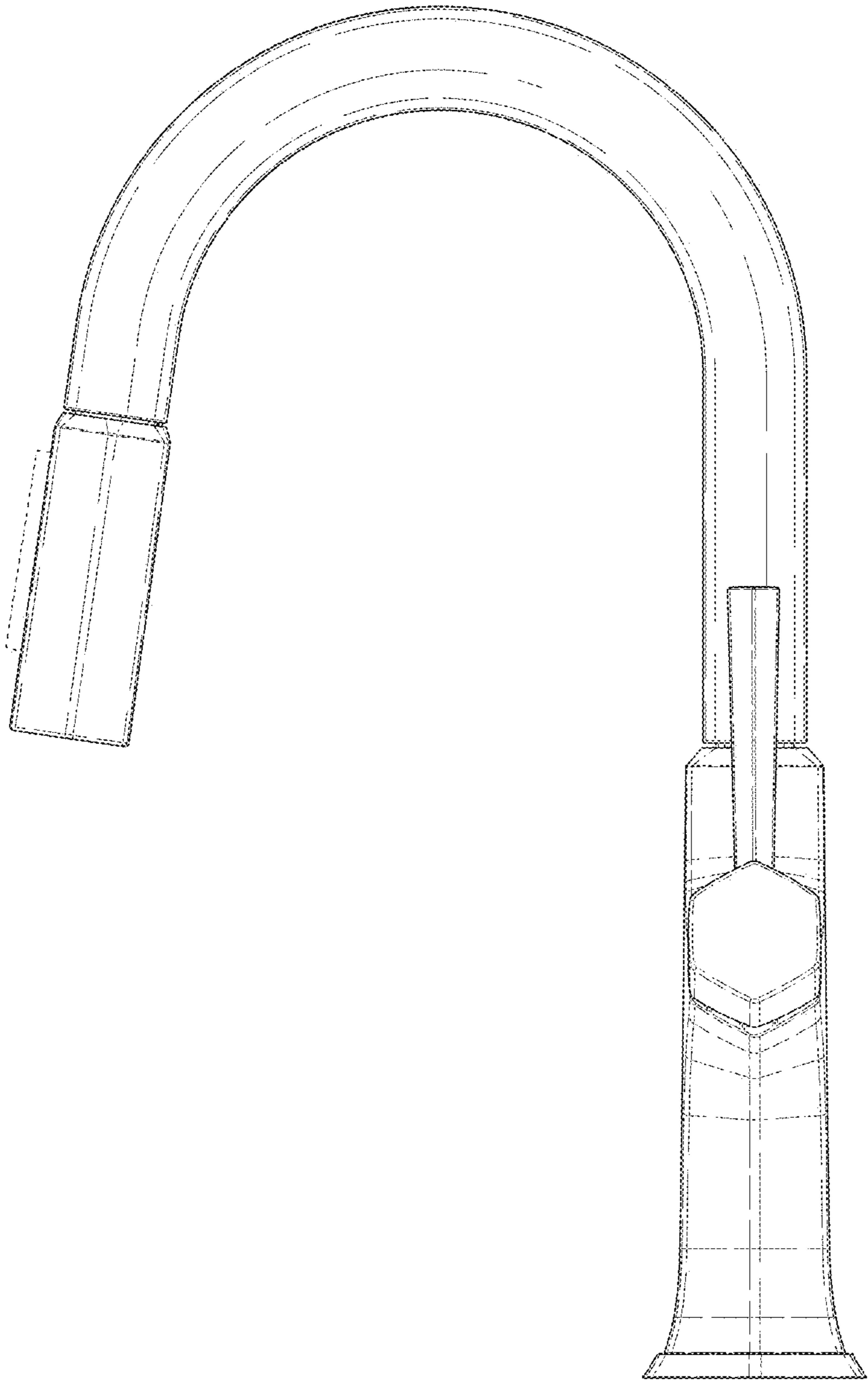


FIG. 5

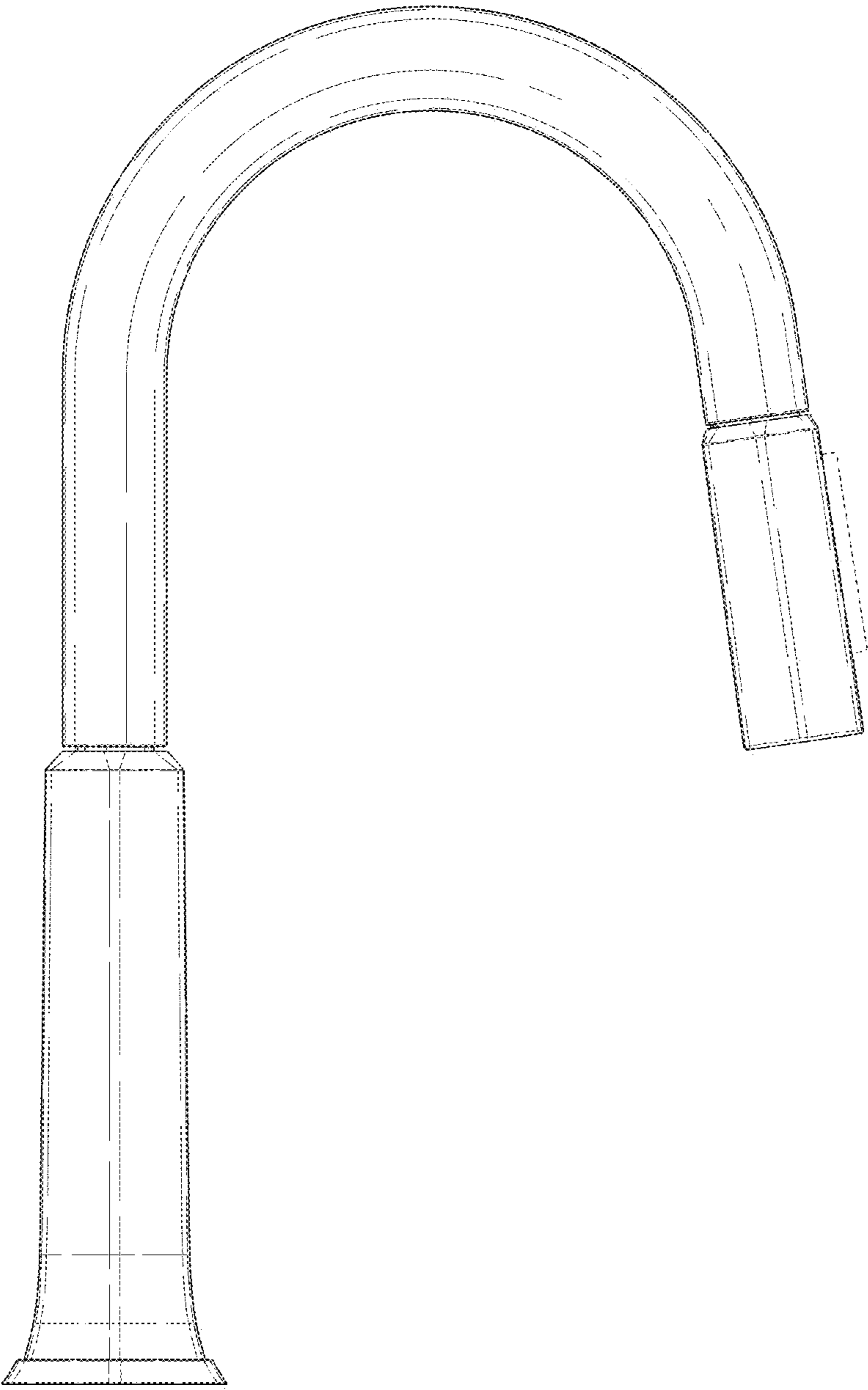


FIG. 6

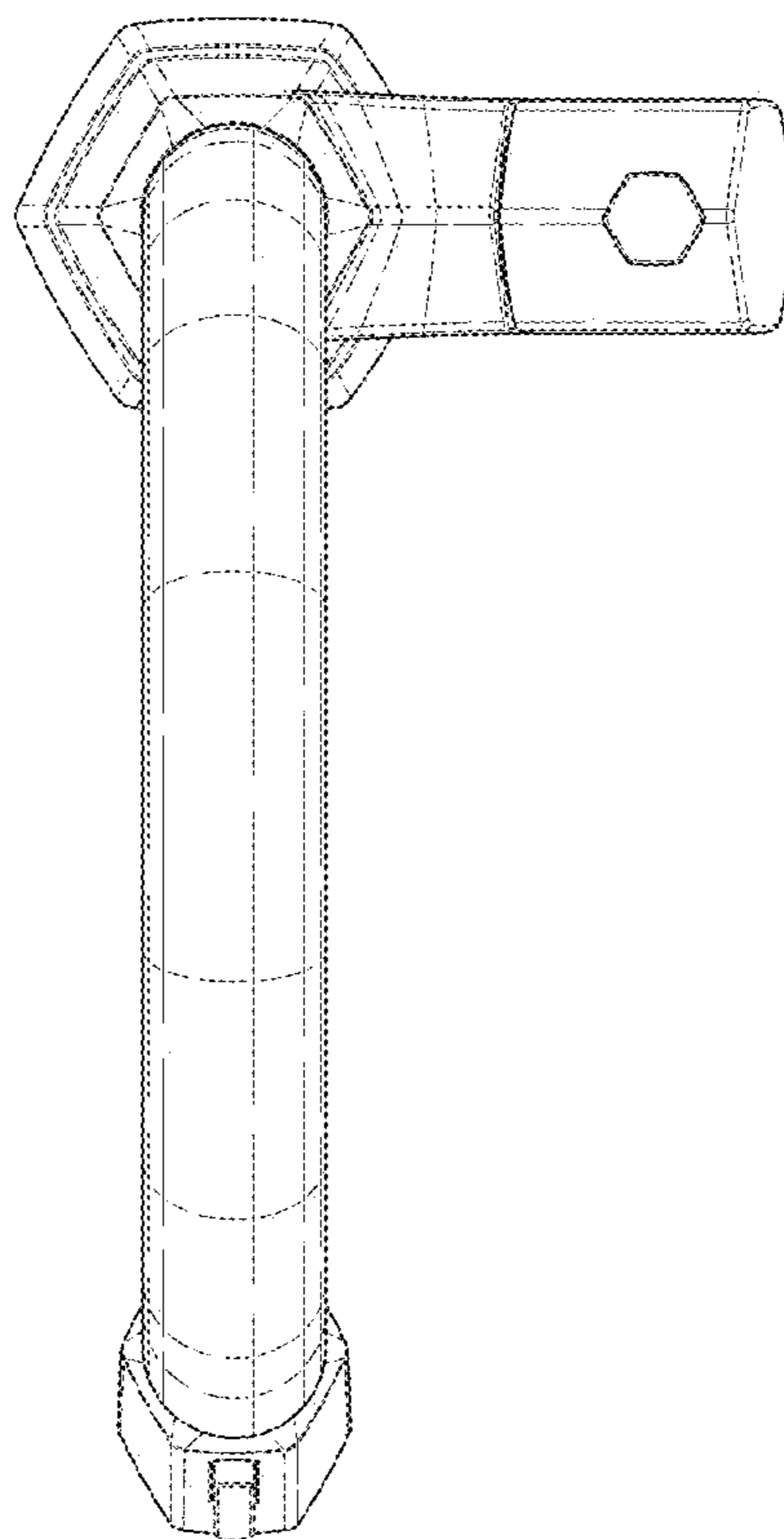




FIG. 7

