



US00D963112S

(12) **United States Design Patent** (10) **Patent No.:** **US D963,112 S**
Duan (45) **Date of Patent:** **** Sep. 6, 2022**

(54) **FOAM SPRAYER** 7,296,761 B1 * 11/2007 Laible B05B 7/2443
 222/481.5
 (71) Applicant: **Min Duan**, Jingmen (CN) 7,322,534 B2 * 1/2008 Bartsch C02F 1/42
 239/315
 (72) Inventor: **Min Duan**, Jingmen (CN) 7,661,604 B1 * 2/2010 MacLean-Blevins
 B05B 7/2478
 239/10
 (**) Term: **15 Years** (Continued)

(21) Appl. No.: **29/806,916**
 (22) Filed: **Sep. 8, 2021**
 (51) **LOC (13) Cl.** **23-01**
 (52) **U.S. Cl.**
 USPC **D23/225**
 (58) **Field of Classification Search**
 USPC D23/213, 214, 215, 223, 224, 225, 226,
 D23/229, 230
 CPC A61H 9/0021; A61H 33/00; B05B 1/00;
 B05B 1/14; B05B 1/185; B05B 1/08;
 B05B 1/02; B05B 1/26; B05B 12/002;
 B05B 1/18; B05B 9/01
 See application file for complete search history.

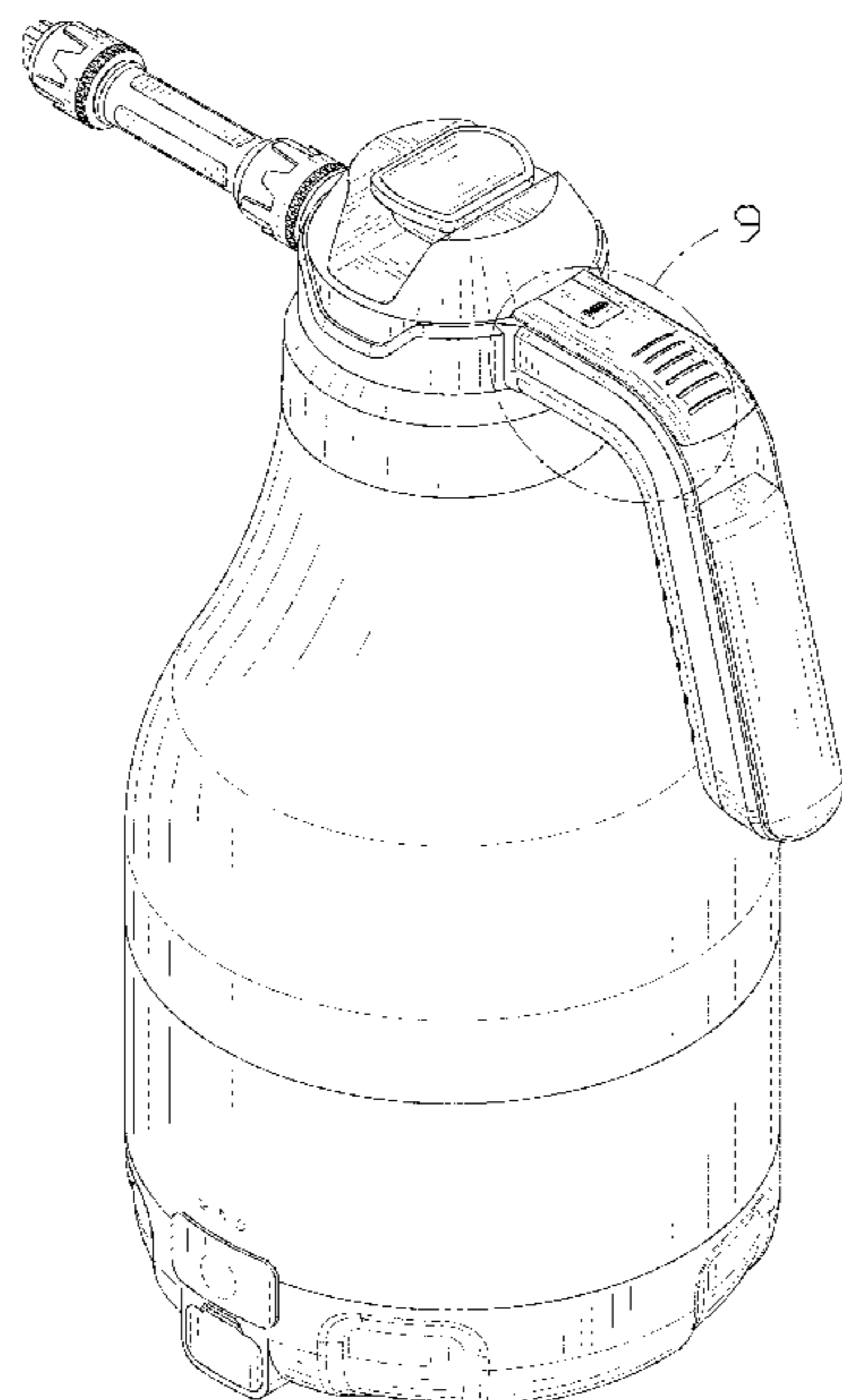
(56) **References Cited**
 U.S. PATENT DOCUMENTS
 5,183,206 A * 2/1993 Gavin B05B 7/1418
 239/521
 5,213,265 A * 5/1993 Englhard B05B 7/2448
 222/484
 6,283,385 B1 * 9/2001 Beaver B05B 7/2443
 239/10
 6,425,534 B2 * 7/2002 Ketcham B05B 7/2472
 137/893
 6,578,776 B1 * 6/2003 Shanklin B05B 7/2443
 239/353
 6,749,133 B1 * 6/2004 Ketcham B05B 7/2443
 239/525
 D497,975 S * 11/2004 Chen D23/225

OTHER PUBLICATIONS
 Adam's IK Pro 2 Foaming Pump Sprayer, Nov. 17, 2019, amazon.ca, Jul. 13, 2022, URL: <https://www.amazon.ca/Adams-Polishes-Sprayers-Foam-Pro/dp/B07ZPDNHJP/> (Year: 2019).*
 (Continued)

Primary Examiner — Keith J Wilson
 (57) **CLAIM**
 The ornamental design for a foam sprayer, as shown and described.

DESCRIPTION
 FIG. 1 is a perspective view of a foam sprayer showing my new design;
 FIG. 2 is another perspective view thereof;
 FIG. 3 is a front elevational view thereof;
 FIG. 4 is a rear elevational view thereof;
 FIG. 5 is a left side elevational view thereof;
 FIG. 6 is a right side elevational view thereof;
 FIG. 7 is a top plan view thereof;
 FIG. 8 is a bottom plan view thereof;
 FIG. 9 is an enlarged view of portion 9 shown in FIG. 1;
 FIG. 10 is an enlarged view of portion 10 shown in FIG. 2;
 FIG. 11 is an enlarged view of portion 11 shown in FIG. 2;
 and,
 FIG. 12 is an enlarged view of portion 12 shown in FIG. 2.
 The dash-dash broken lines in the drawings depict portions of the foam sprayer that form no part of the claimed design.
 The dot-dash broken lines represent boundaries of the enlarged portions and form no part of the claimed design.

1 Claim, 12 Drawing Sheets



(56)

References Cited

U.S. PATENT DOCUMENTS

7,703,703 B2 * 4/2010 Gavin B05B 1/1636
 239/521
 D675,713 S * 2/2013 Christensen D23/225
 8,726,939 B2 * 5/2014 Laible B05B 7/12
 137/892
 D709,988 S * 7/2014 Ford D23/213
 D713,497 S * 9/2014 Dobias D23/223
 D761,937 S * 7/2016 Popek D23/225
 D772,380 S * 11/2016 Fontaine D23/225
 D827,773 S * 9/2018 Schneider D23/225
 D827,775 S 9/2018 Schneider
 D827,776 S * 9/2018 Schneider D23/225
 10,138,110 B2 * 11/2018 Bates B05B 15/63
 10,272,457 B2 * 4/2019 McDonnell B05B 7/2408
 D881,342 S * 4/2020 Chou D9/688
 10,632,481 B1 * 4/2020 Laible B05B 12/1418
 10,926,276 B2 * 2/2021 McDonnell B05B 11/0005

D918,340 S * 5/2021 Zheng D23/225
 D918,341 S * 5/2021 Wang D23/225
 D923,748 S * 6/2021 Lo D9/692
 D930,113 S * 9/2021 Dubiel D23/213
 D942,722 S * 2/2022 Lin D32/25
 D944,924 S * 3/2022 McDonnell D23/226
 D948,664 S * 4/2022 Lai D23/225
 D952,098 S * 5/2022 Tong D32/25
 D956,926 S * 7/2022 Chen D23/225
 2002/0046969 A1 * 4/2002 Bartsch B01J 47/026
 210/259
 2014/0209706 A1 * 7/2014 Jia B05B 7/2443
 239/315
 2018/0250694 A1 * 9/2018 McDonnell B05B 12/1409

OTHER PUBLICATIONS

Wakauto Car Wash Foam Sprayer, Jun. 5, 2021, amazon.ca, Jul. 13, 2022, URL: <https://www.amazon.ca/dp/B096P7N3MS/> (Year: 2021).*

* cited by examiner

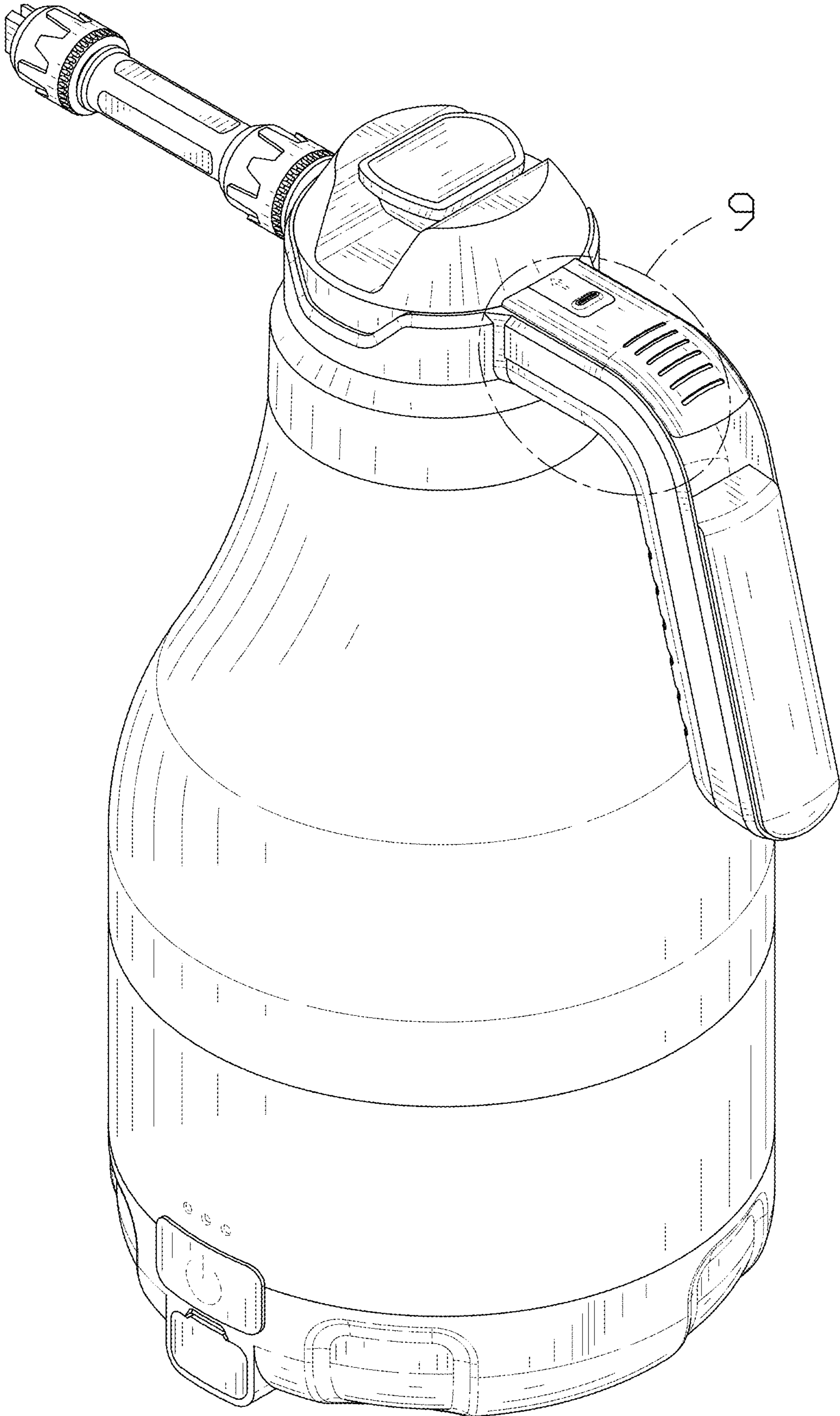


FIG. 1

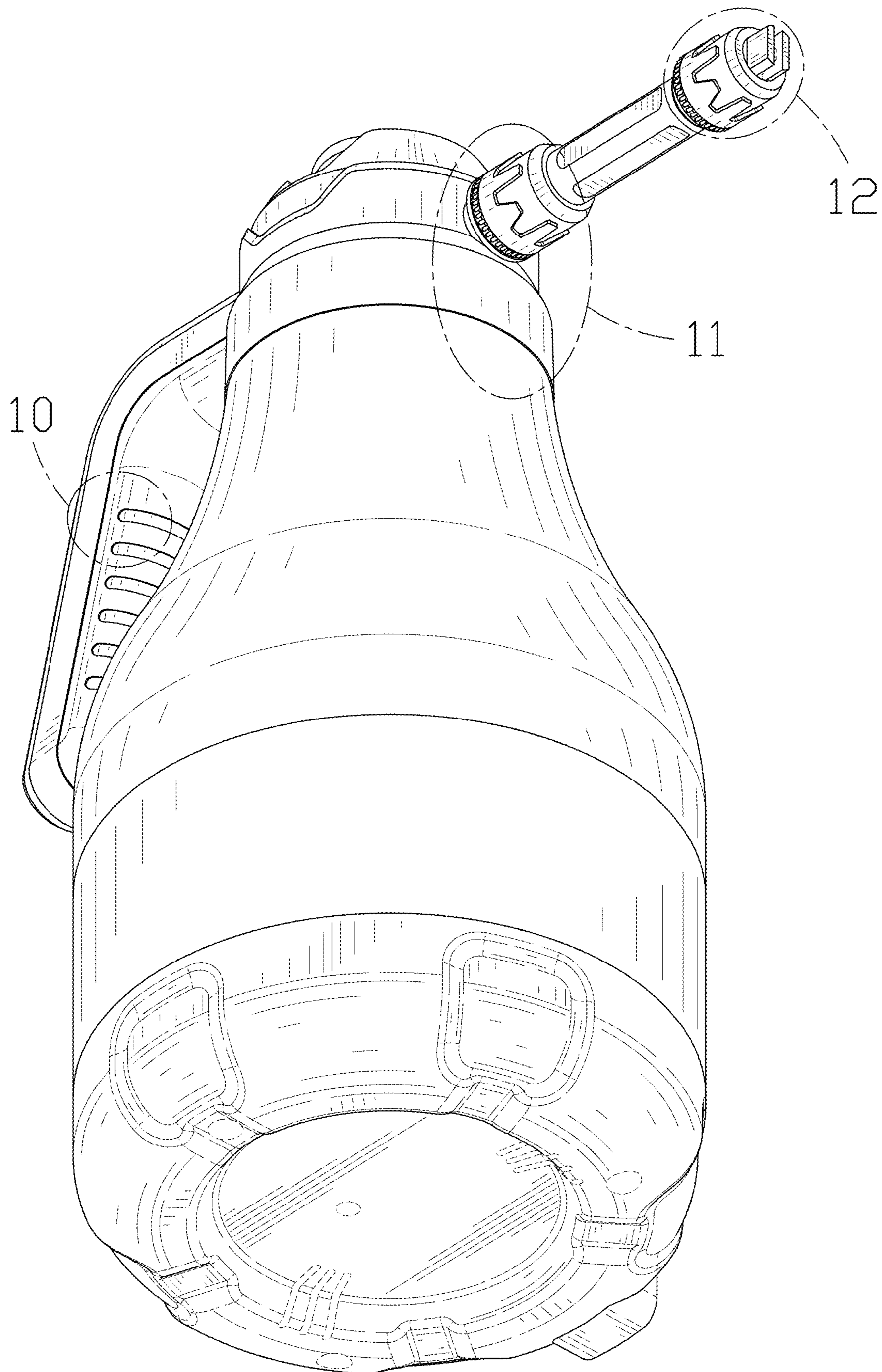


FIG. 2

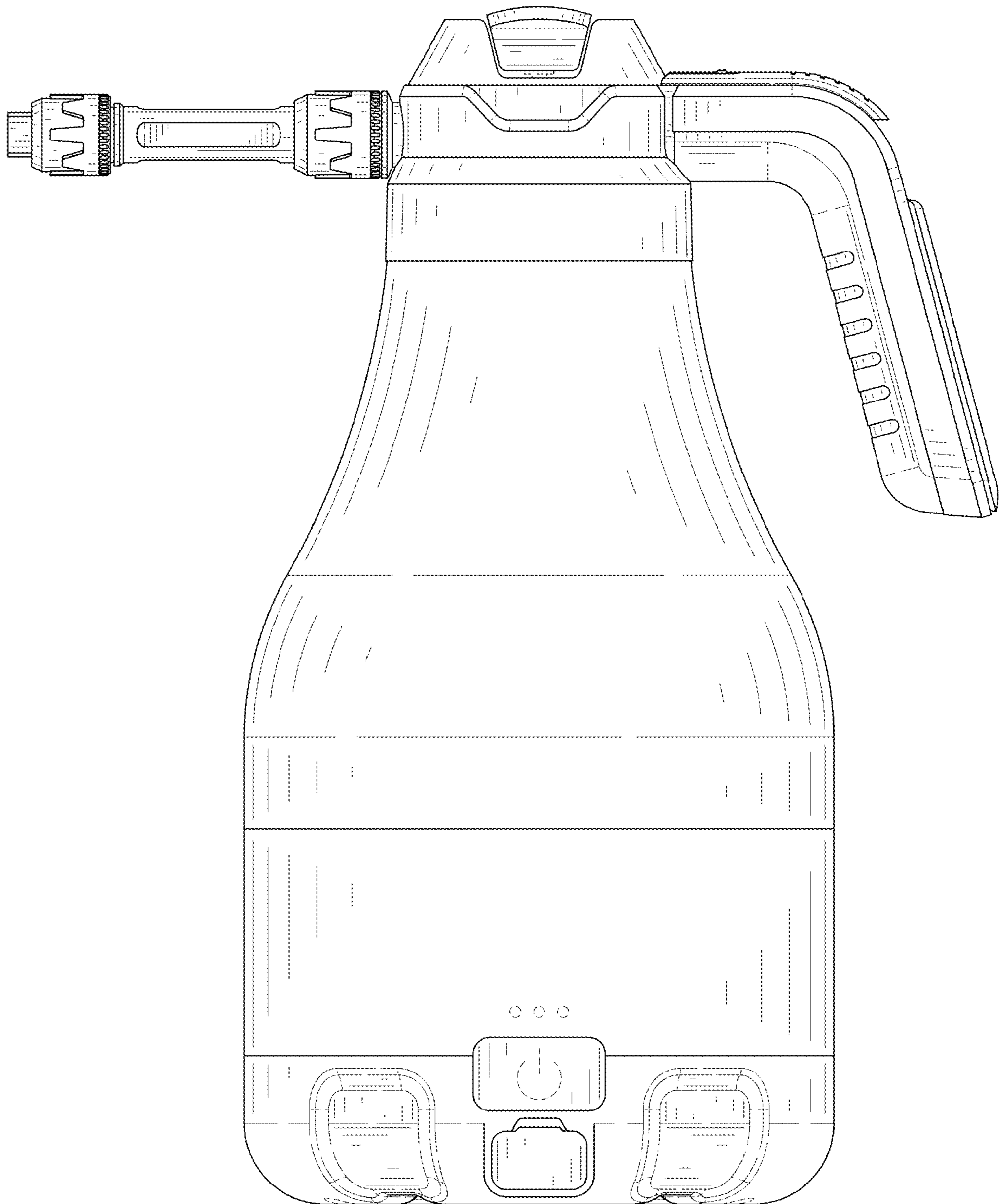


FIG. 3

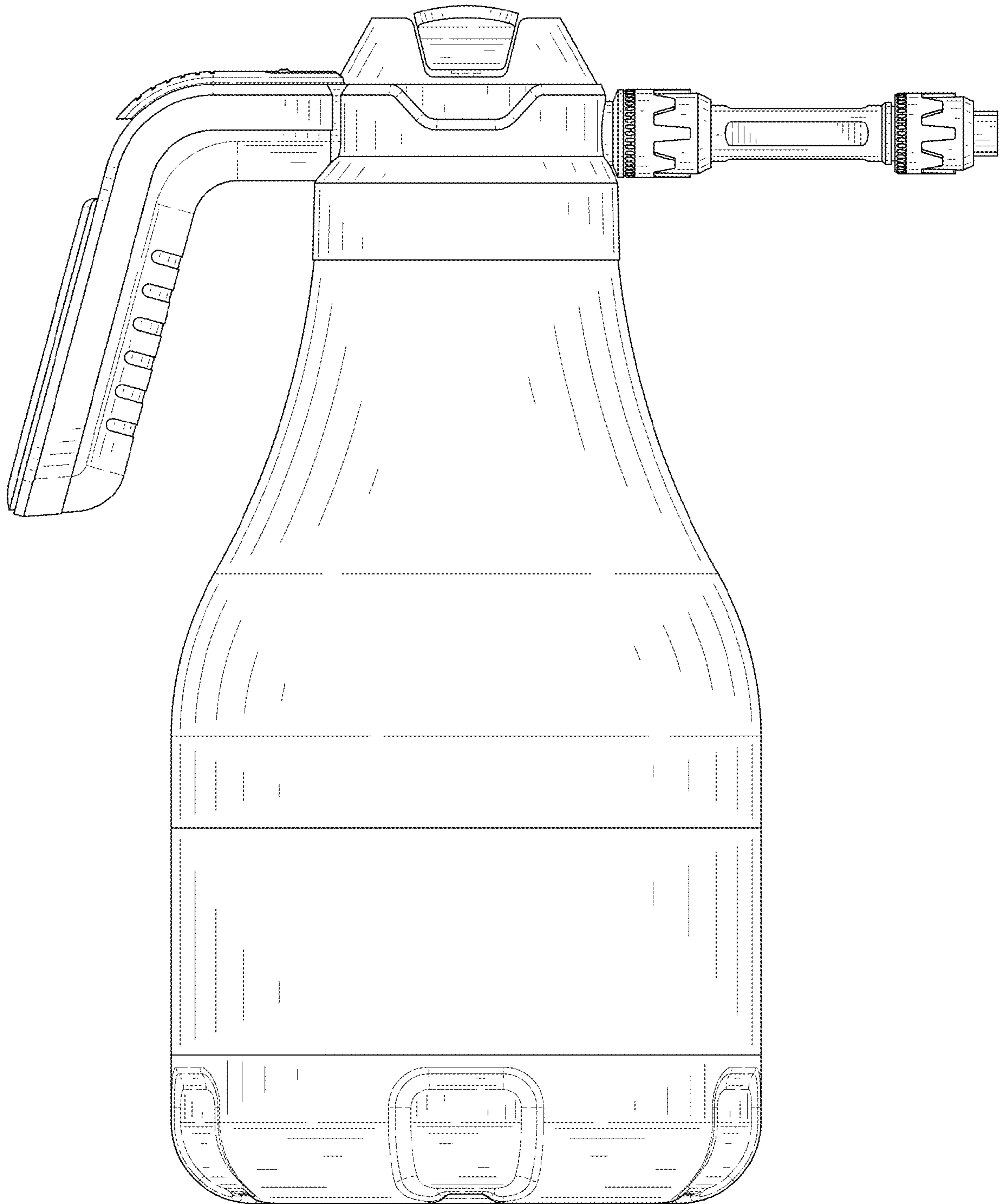


FIG. 4

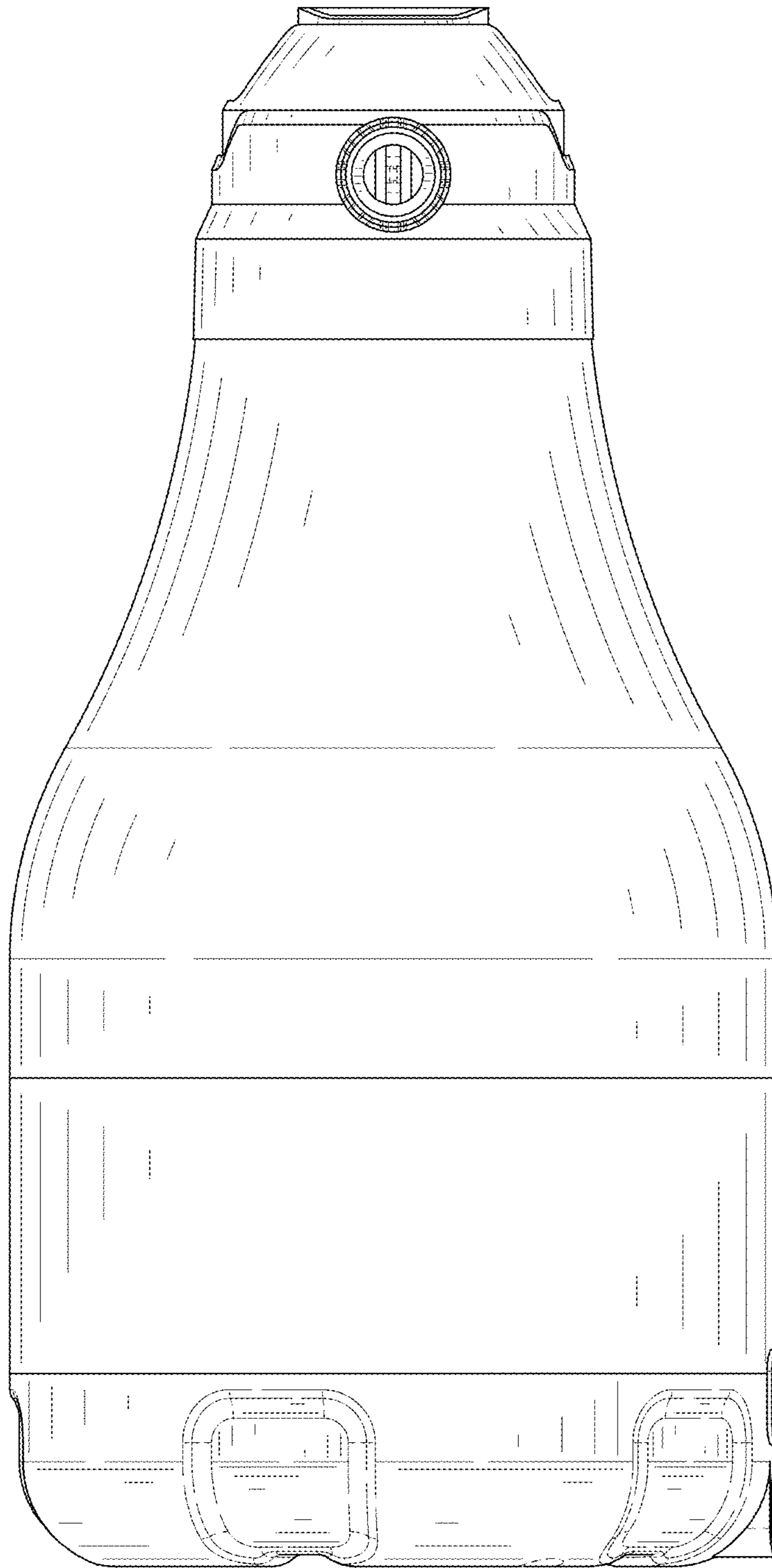


FIG. 5

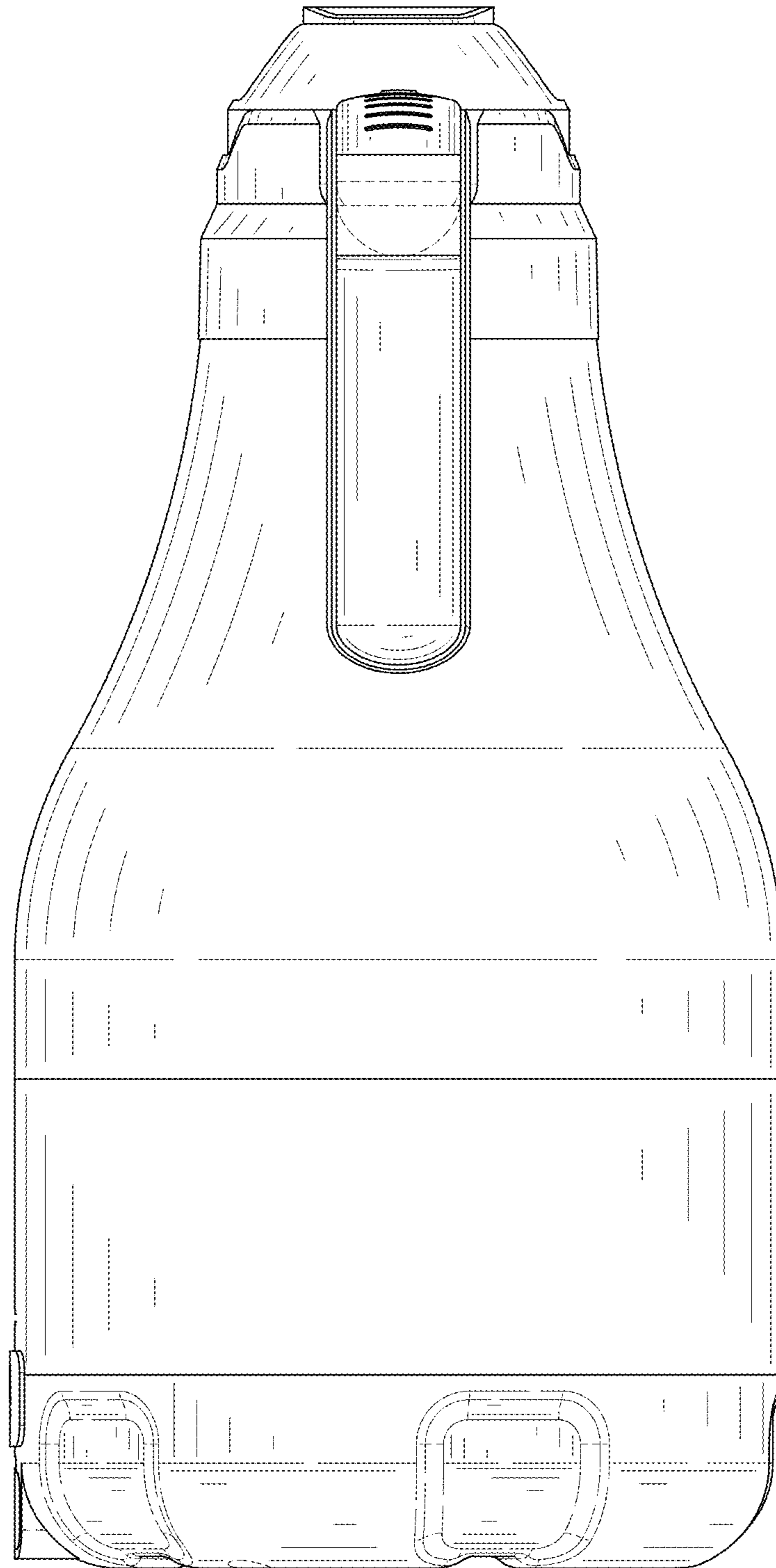


FIG. 6

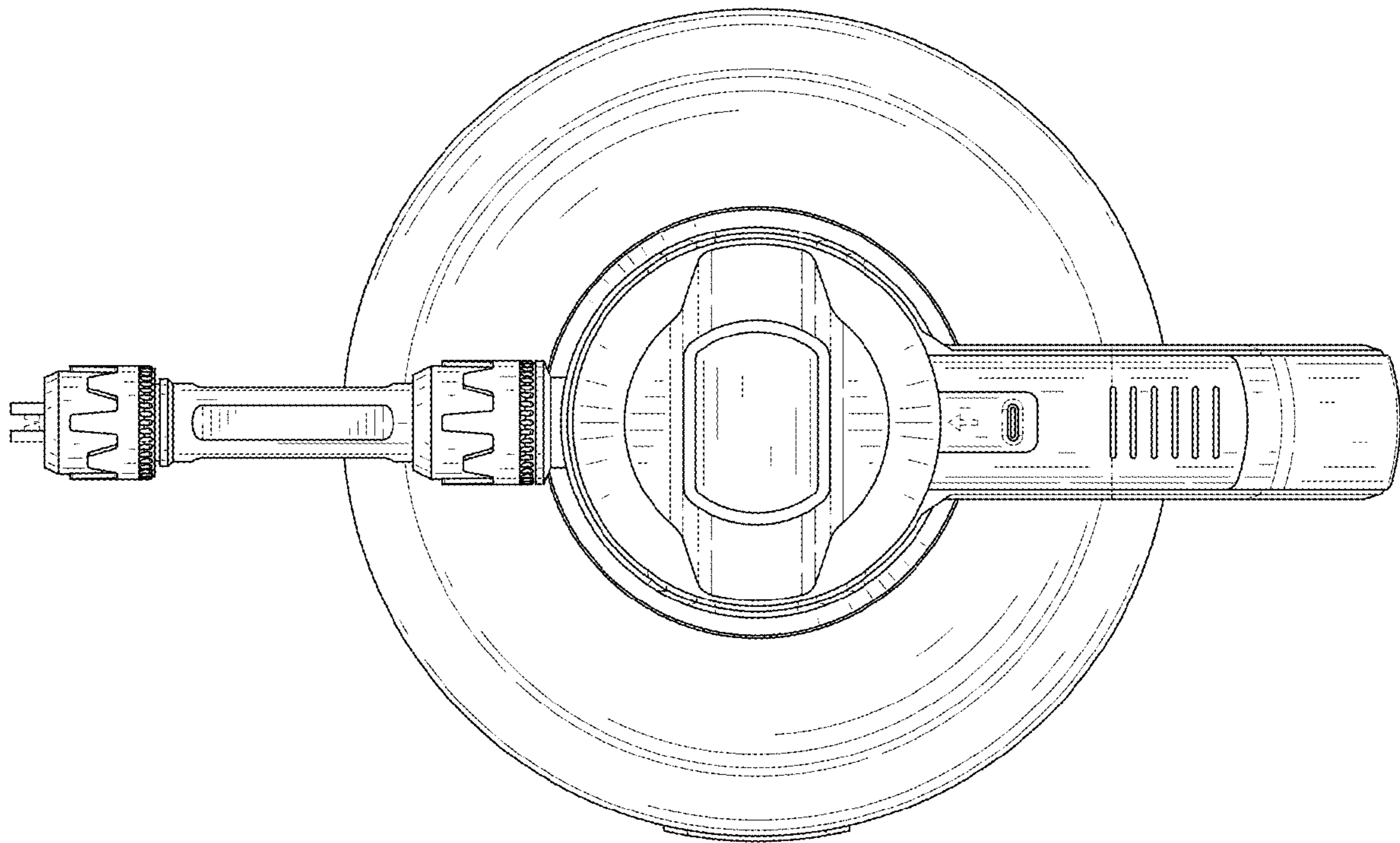


FIG. 7

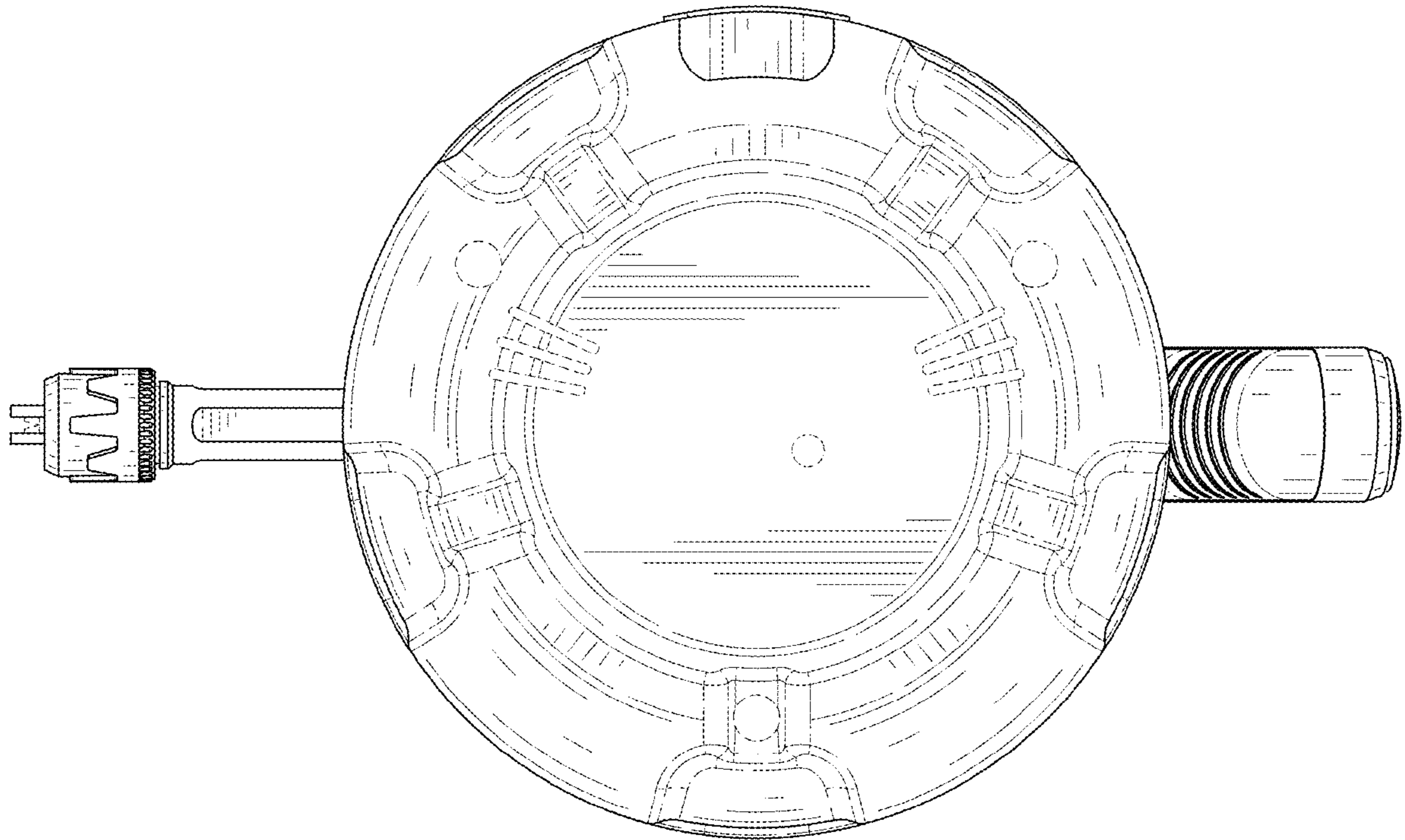


FIG. 8

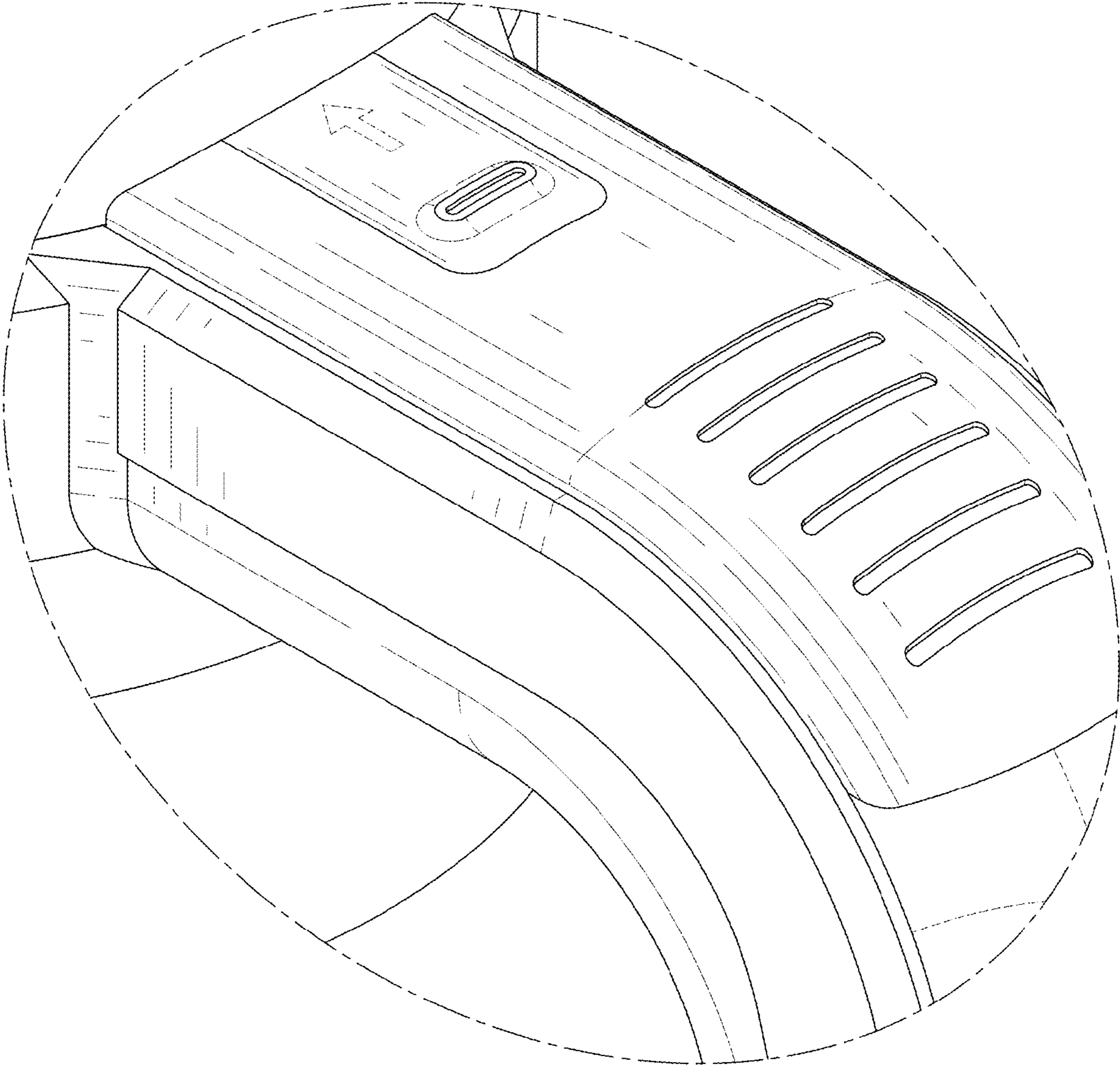


FIG. 9

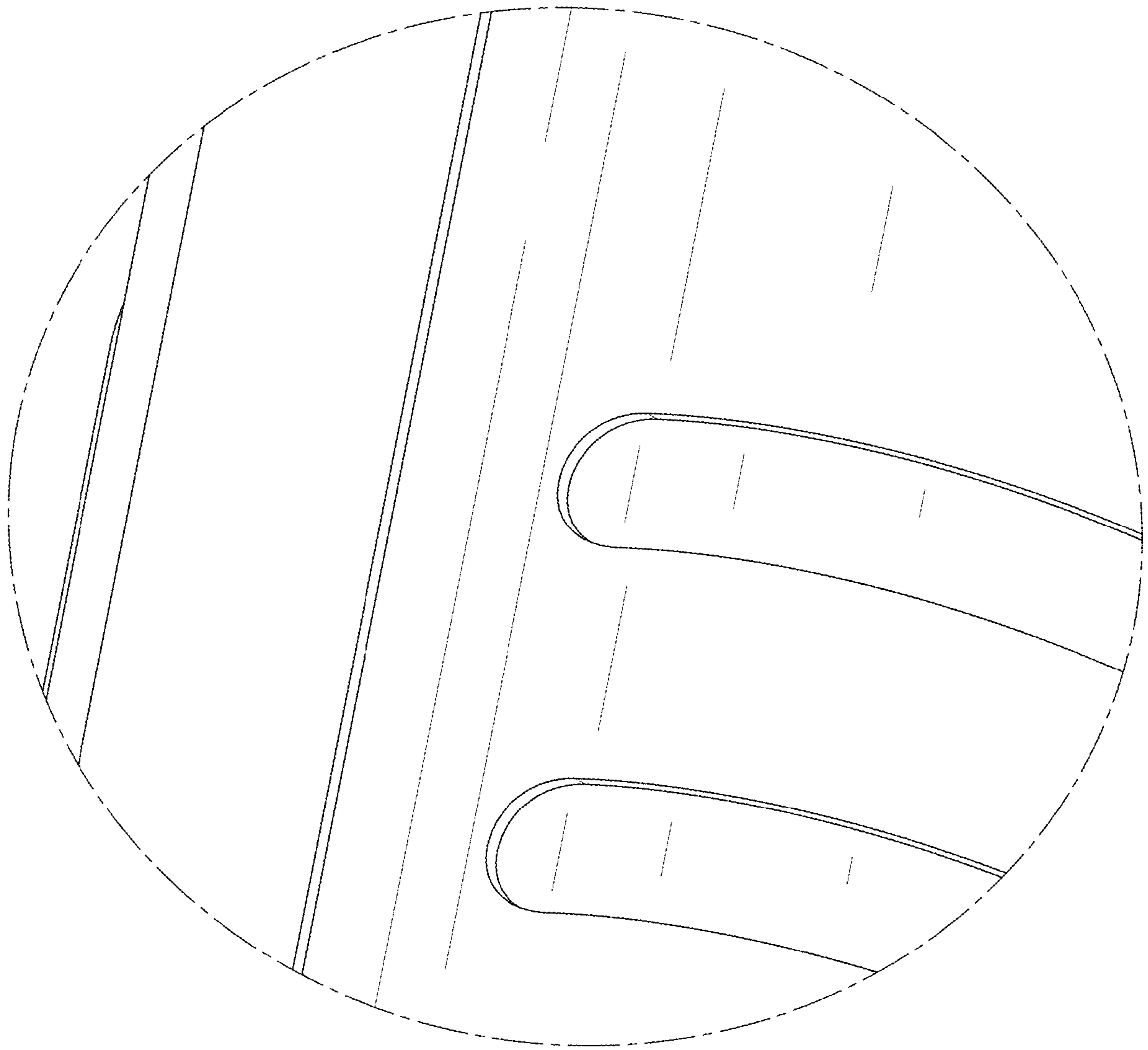


FIG. 10

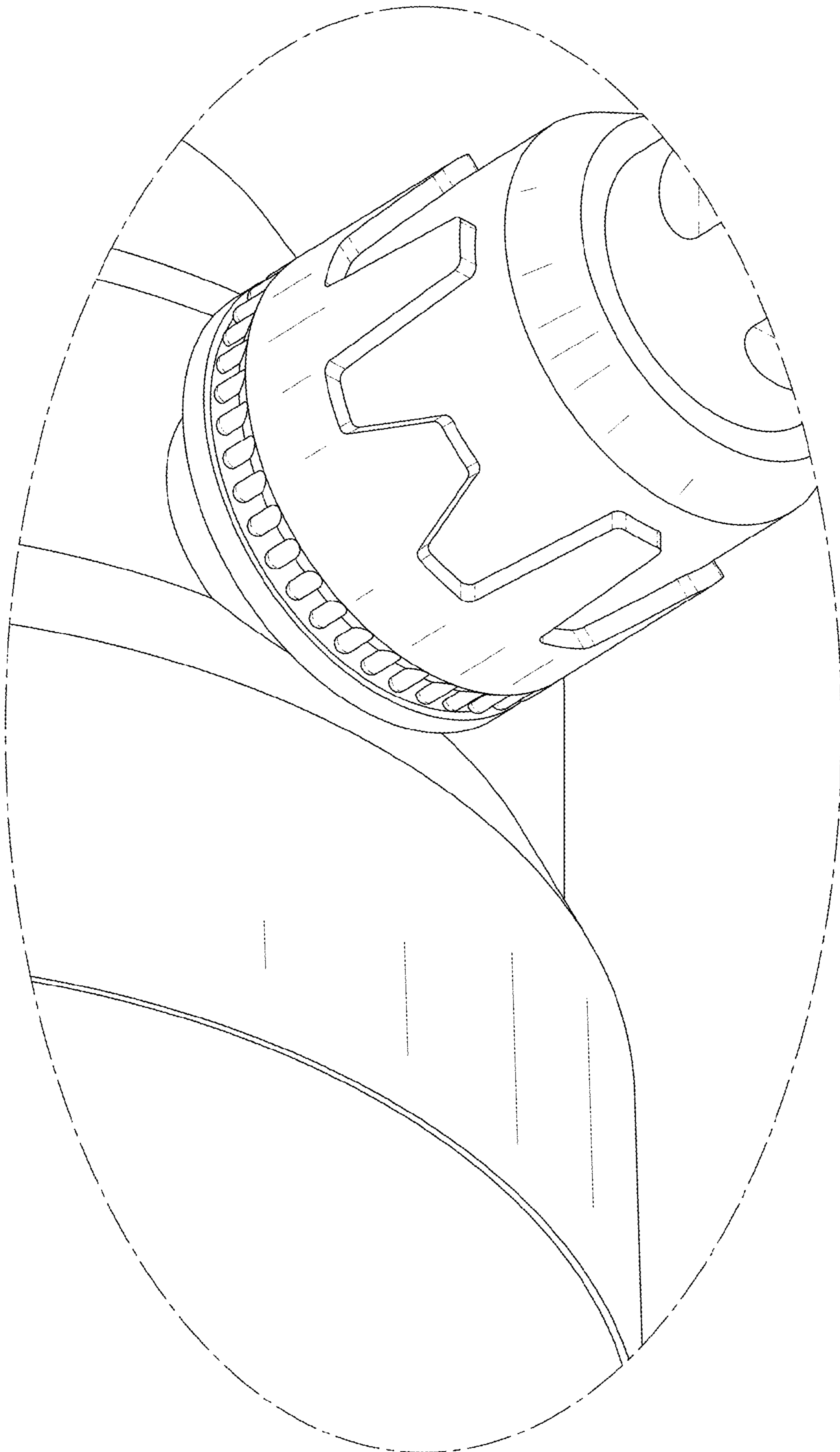


FIG. 11

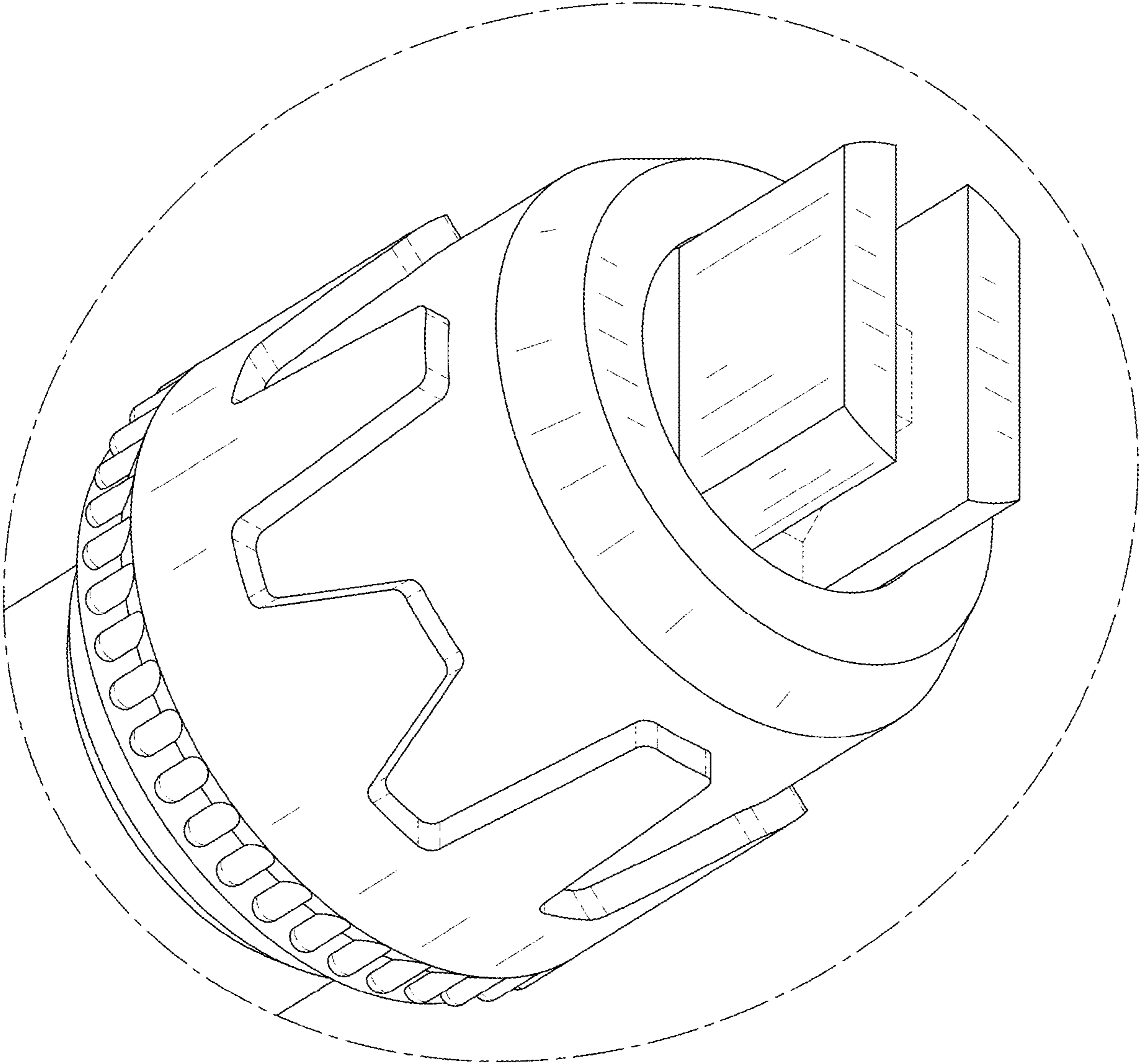


FIG. 12