



US00D963111S

(12) **United States Design Patent** (10) **Patent No.:** **US D963,111 S**
He (45) **Date of Patent:** **** Sep. 6, 2022**

(54) **SHOWER APPARATUS**
(71) Applicant: **XIAMEN DELMEI SANITARY WARE CO., LTD.,** Xiamen (CN)
(72) Inventor: **Xusheng He,** Xiamen (CN)
(73) Assignee: **XIAMEN DELMEI SANITARYWARE CO., LTD.,** Xiamen (CN)

11,179,734 B2 * 11/2021 Lee B05B 1/185
D942,589 S * 2/2022 Su D23/226
D943,060 S * 2/2022 Fan D23/213
D943,709 S * 2/2022 Cocks D23/223
11,243,010 B2 * 2/2022 Emery E03C 1/0408
11,247,223 B2 * 2/2022 Huang B05B 15/68
D944,919 S * 3/2022 Yu D23/213
2006/0242759 A1 * 11/2006 Tsai E03C 1/06
4/605
2010/0180967 A1 * 7/2010 Deng E03C 1/06
137/625

(Continued)

(**) Term: **15 Years**

(21) Appl. No.: **29/772,749**

(22) Filed: **Mar. 4, 2021**

(30) **Foreign Application Priority Data**

Jan. 6, 2021 (CN) 202130006452.1

(51) **LOC (13) Cl.** **23-01**

(52) **U.S. Cl.**
USPC **D23/223**

(58) **Field of Classification Search**
USPC D23/213, 214, 215, 223, 224, 225, 226,
D23/229, 230
CPC A61H 9/0021; A61H 33/00; B05B 1/00;
B05B 1/14; B05B 1/185; B05B 1/08;
B05B 1/02; B05B 1/26; B05B 12/002;
B05B 1/18; B05B 9/01
See application file for complete search history.

(56) **References Cited**

U.S. PATENT DOCUMENTS

D705,900 S * 5/2014 Bailey D23/228
9,149,817 B2 * 10/2015 Lev B05B 1/185
9,410,309 B2 * 8/2016 Sharratt E03C 1/066
9,631,348 B2 * 4/2017 Huang B05B 1/1636
D803,350 S * 11/2017 Tian D23/228
D810,861 S * 2/2018 Weaver D23/228
10,352,025 B2 * 7/2019 Culmer F16K 31/602
D902,346 S * 11/2020 Cocks D23/213

OTHER PUBLICATIONS

HotelSpa 10.5-in Rain Shower Head/Handheld Combo, Jul. 19, 2019, amazon.ca, Mar. 1, 2022, URL: https://www.amazon.ca/dp/B0719RG317/ref=sbl_dpx_ca-home-improvement-bathroom-handheld-showerheads_B08514W3S8_0 (Year: 2019).*

(Continued)

Primary Examiner — Keith J Wilson
(74) *Attorney, Agent, or Firm* — Bayramoglu Law Offices LLC

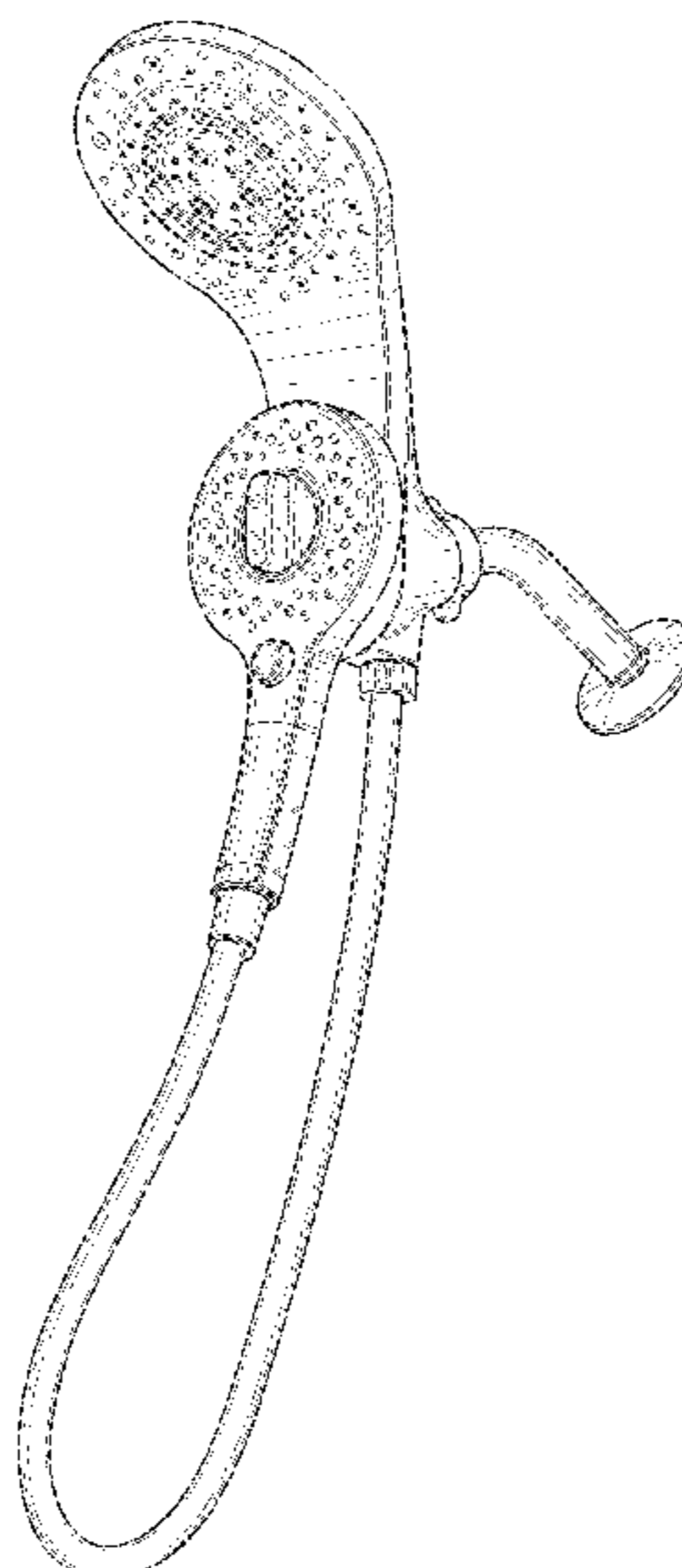
(57) **CLAIM**

The ornamental design for a shower apparatus, as shown and described.

DESCRIPTION

FIG. 1 is a perspective view of a shower apparatus showing my new design;
FIG. 2 is a front view thereof;
FIG. 3 is a rear view thereof;
FIG. 4 is a left side view thereof;
FIG. 5 is a right side view thereof;
FIG. 6 is a bottom view thereof;
FIG. 7 is a top view thereof; and,
FIG. 8 is a perspective view thereof in a configuration of a use state.

1 Claim, 8 Drawing Sheets



(56)

References Cited

U.S. PATENT DOCUMENTS

2013/0283524 A1* 10/2013 Schulte E03C 1/06
4/695
2022/0032326 A1* 2/2022 Cacka E03C 1/0405
2022/0038802 A1* 2/2022 Hanna E03C 1/0408
2022/0048049 A1* 2/2022 Rexach B05B 1/3046

OTHER PUBLICATIONS

Sunbeam 5 Function Dual Shower Massager with Rainfall Head Set, May 1, 2017, amazon.ca, Mar. 1, 2022, URL: <https://www.amazon.ca/Sunbeam-Function-Shower-Massager-Rainfall/dp/B06Y45VGPG/> (Year: 2017).*

DreamSpa Ultra-Luxury 9 inch Rainfall Shower Head/Handheld Combo, May 30, 2016, amazon.ca, Mar. 1, 2022, URL: <https://www.amazon.ca/Ultra-Luxury-Rainfall-Shower-Handheld-Combo-Convenient-Push-Button/dp/B019NCXIKE/> (Year: 2016).*

Shower Heads, Dual Head Bathroom Shower, Foneso Chrome Finished High Pressure Handheld, Nov. 19, 2018, amazon.ca, May 10, 2022, URL: <https://www.amazon.ca/Foneso-Pressure-Handheld-Showerhead-Including/dp/B07KQ1CZVQ/> (Year: 2018).*

Delta Faucet 58680-CZ25 HydroRain, Oct. 21, 2019, amazon.com, May 10, 2019, URL: <https://www.amazon.com/DELTA-FAUCET-58680-CZ25-HydroRain-H2Okinetic/dp/B07ZDPJ24D/> (Year: 2019).*

* cited by examiner

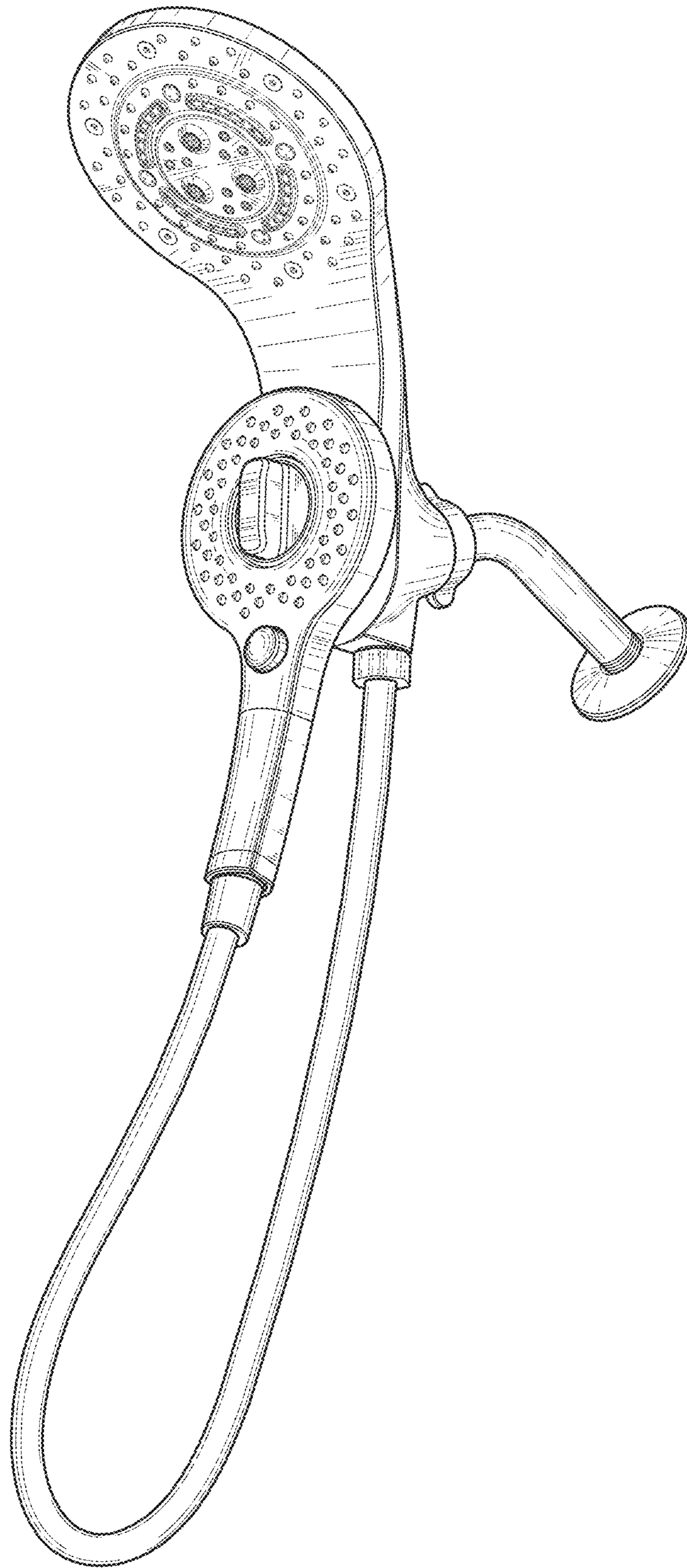


Fig. 1

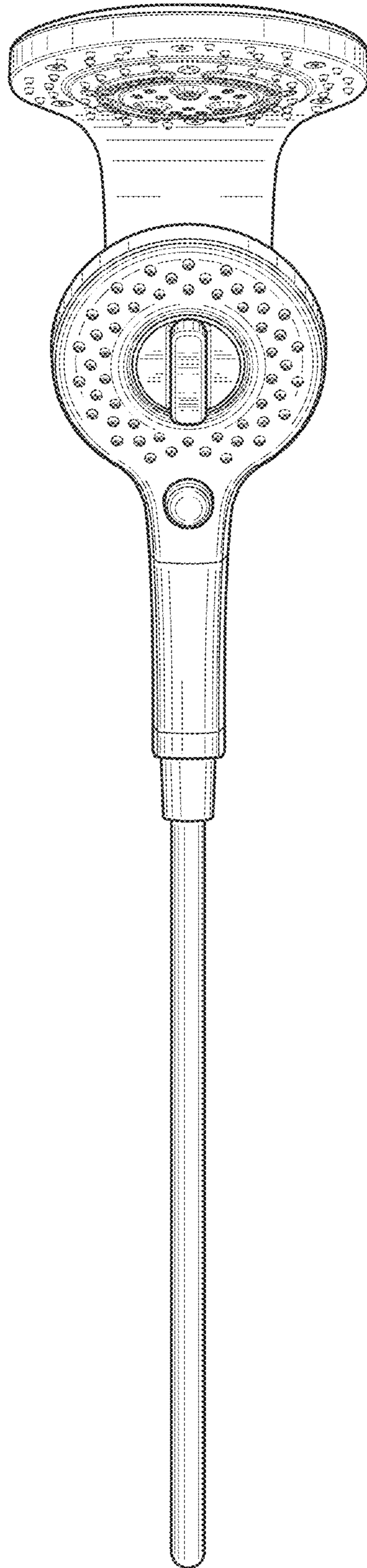


Fig. 2

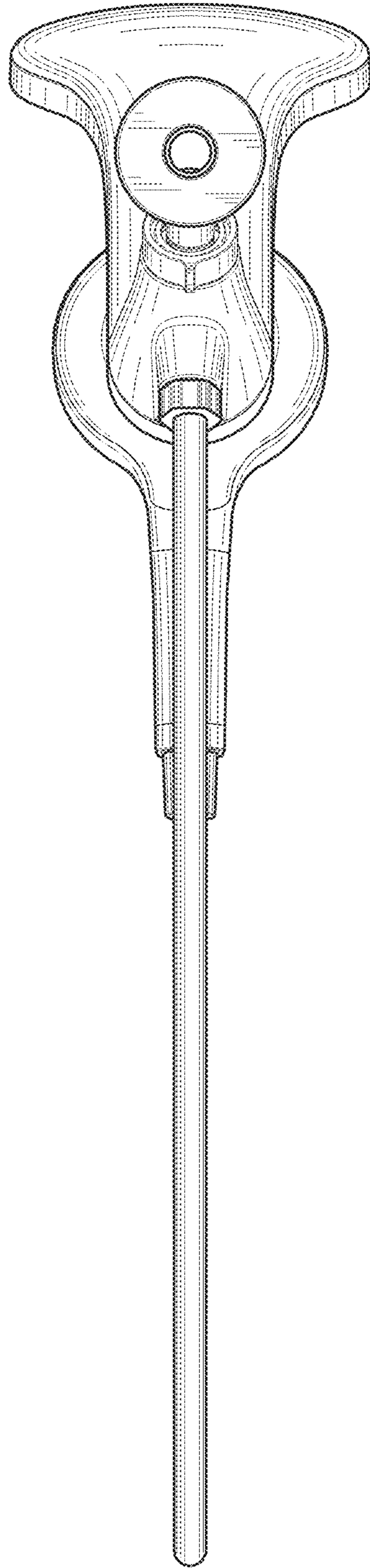


Fig. 3

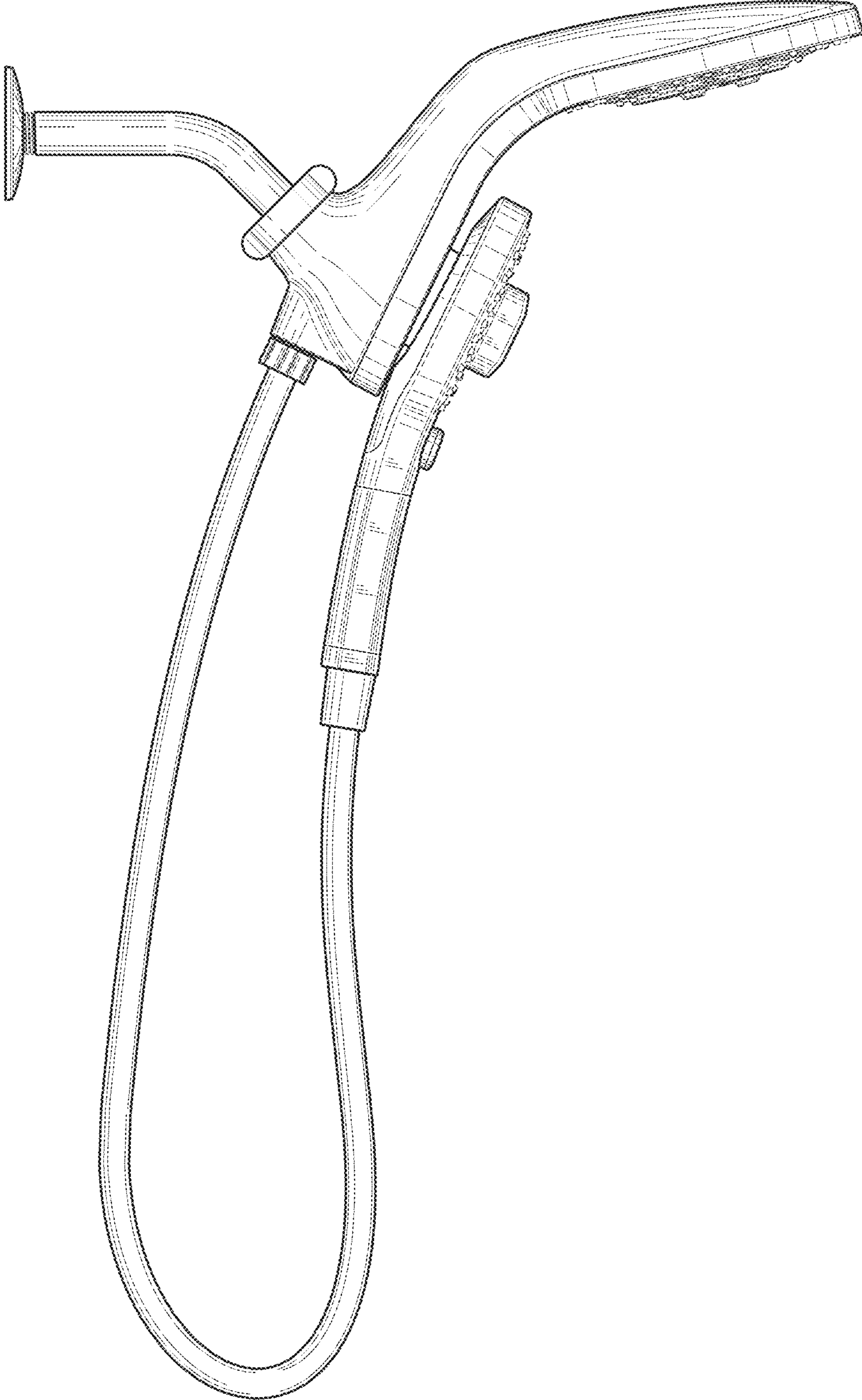


Fig. 4

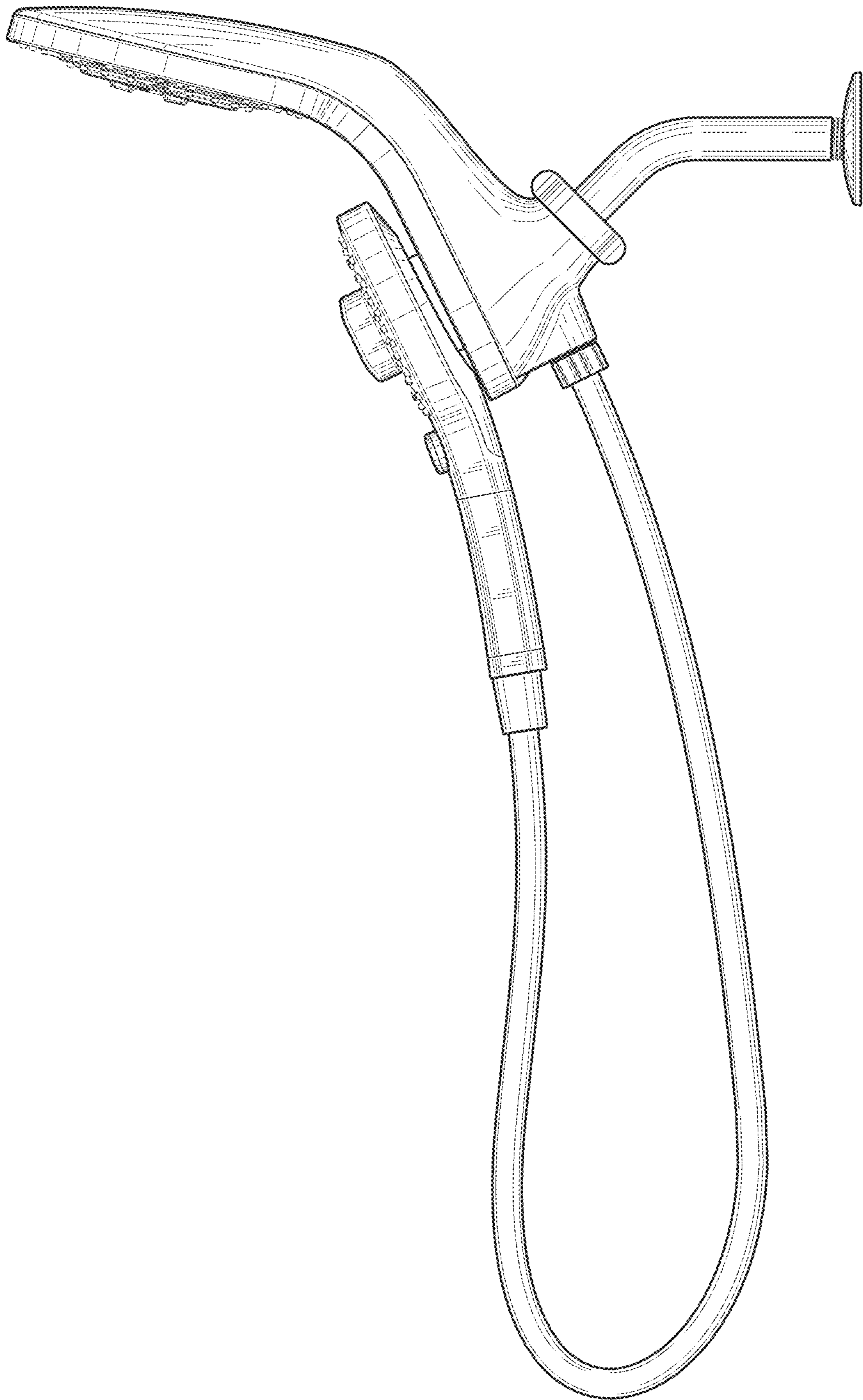


Fig. 5

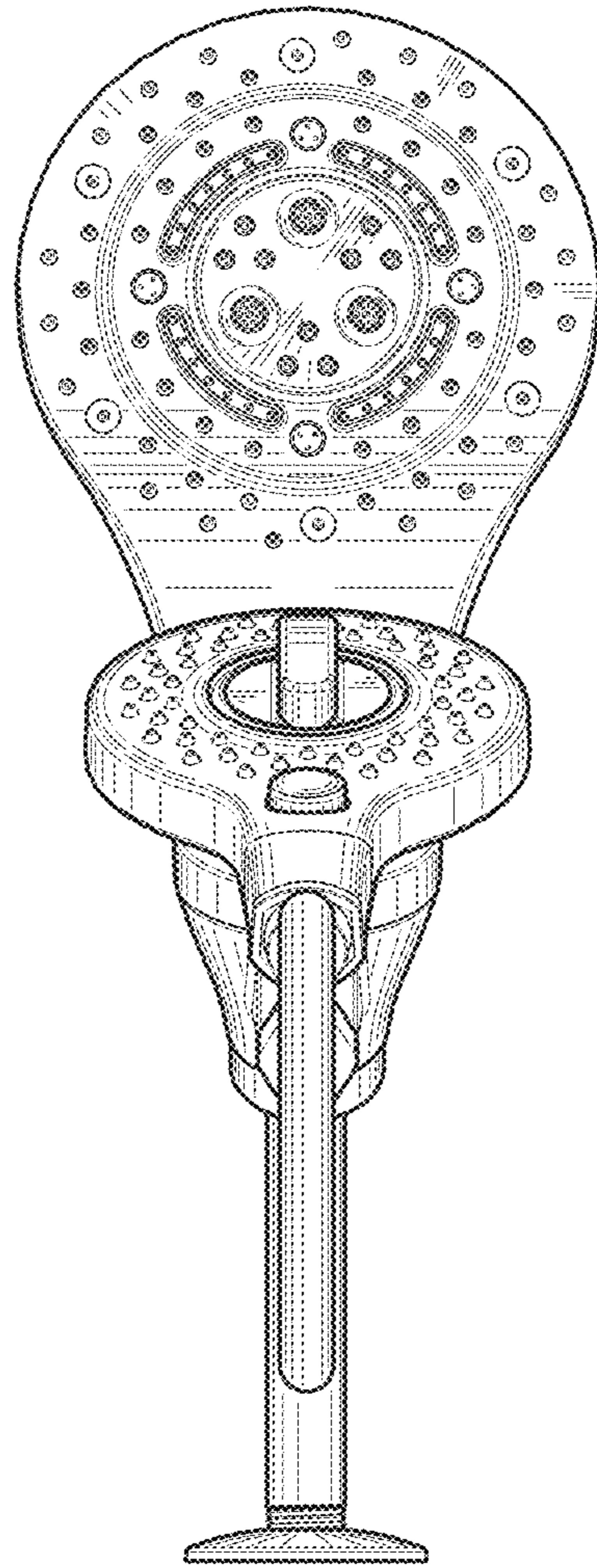


Fig. 6

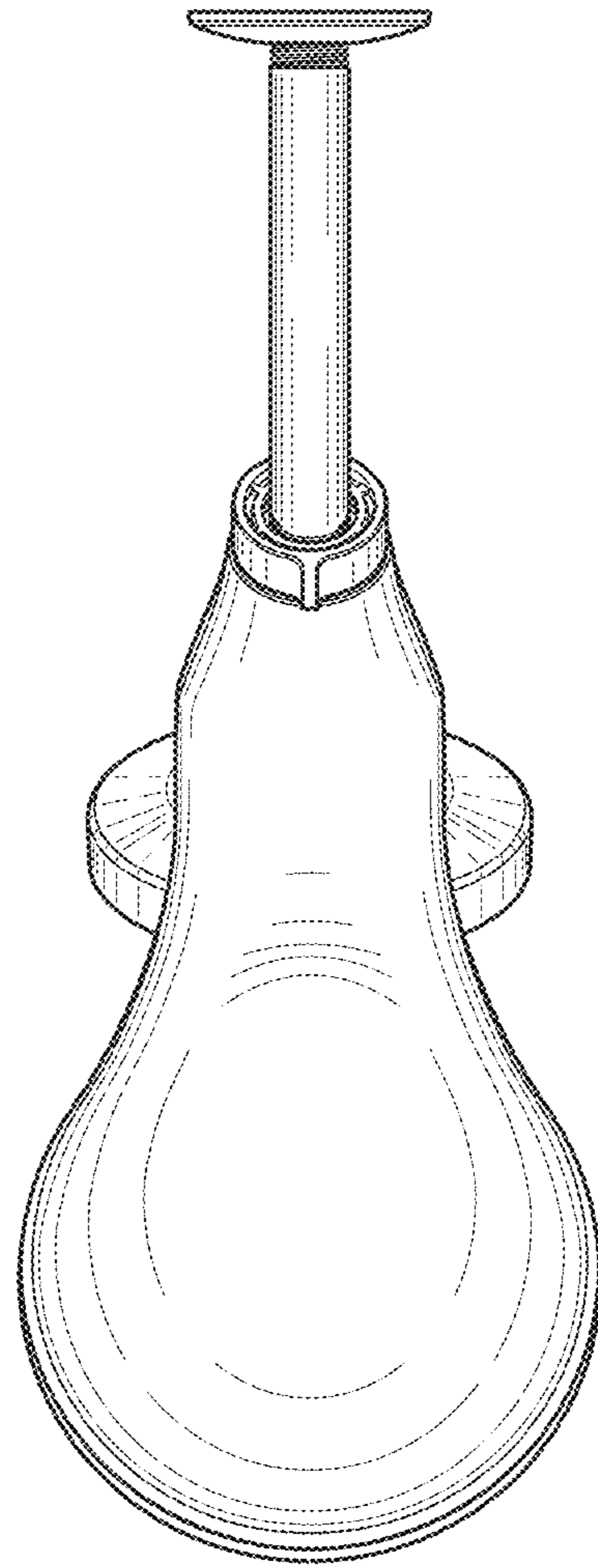


Fig. 7

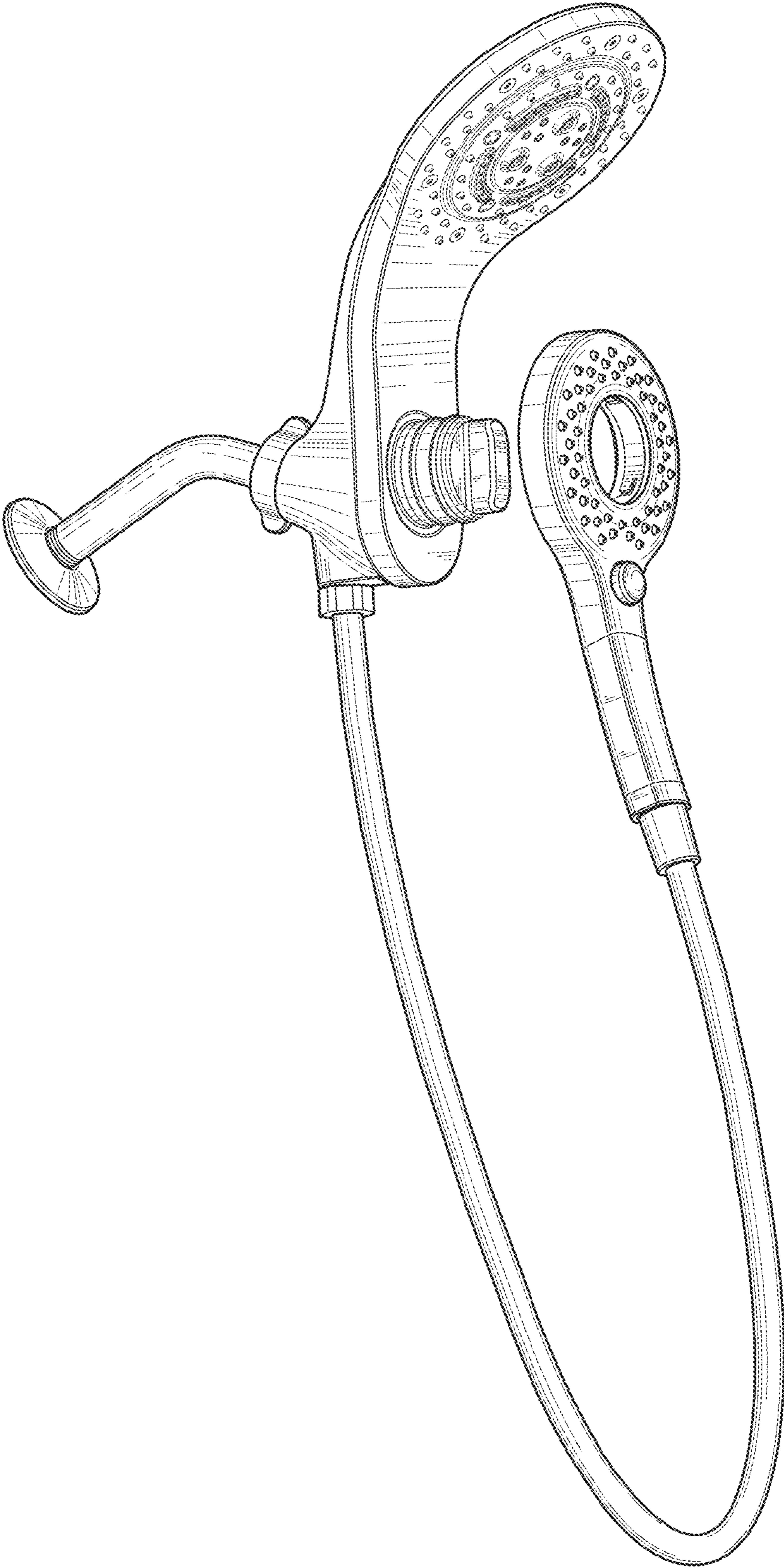


Fig. 8