



US00D963110S

(12) **United States Design Patent** (10) **Patent No.:** **US D963,110 S**
Koiwa (45) **Date of Patent:** **** Sep. 6, 2022**

(54) **SPRINKLER HEAD ACCESSORY**
(71) Applicant: **SENJU SPRINKLER CO., LTD.**,
Tokyo (JP)
(72) Inventor: **Yasuaki Koiwa**, Tokyo (JP)
(73) Assignee: **SENJU SPRINKLER CO., LTD.**,
Tokyo (JP)
(**) Term: **15 Years**
(21) Appl. No.: **29/734,062**
(22) Filed: **May 8, 2020**
(30) **Foreign Application Priority Data**
Mar. 12, 2020 (JP) 2020-004914 D
(51) **LOC (13) Cl.** **23-01**
(52) **U.S. Cl.**
USPC **D23/214**
(58) **Field of Classification Search**
USPC D23/213, 214, 229, 233, 255-265, 269;
D8/349, 354, 382, 396-399
CPC A61H 33/0087; A63B 69/125; B05B
7/0425; E03C 1/084; E04H 4/169; F15D
1/025
See application file for complete search history.

(56) **References Cited**
U.S. PATENT DOCUMENTS
D318,096 S 7/1991 Polan
5,447,338 A 9/1995 Kikuchi
D394,489 S * 5/1998 Andrus D23/213
D520,856 S * 5/2006 Osiecki D8/312
7,185,567 B2 3/2007 Ide
D544,569 S 6/2007 Franson et al.
D546,416 S 7/2007 Franson et al.
(Continued)

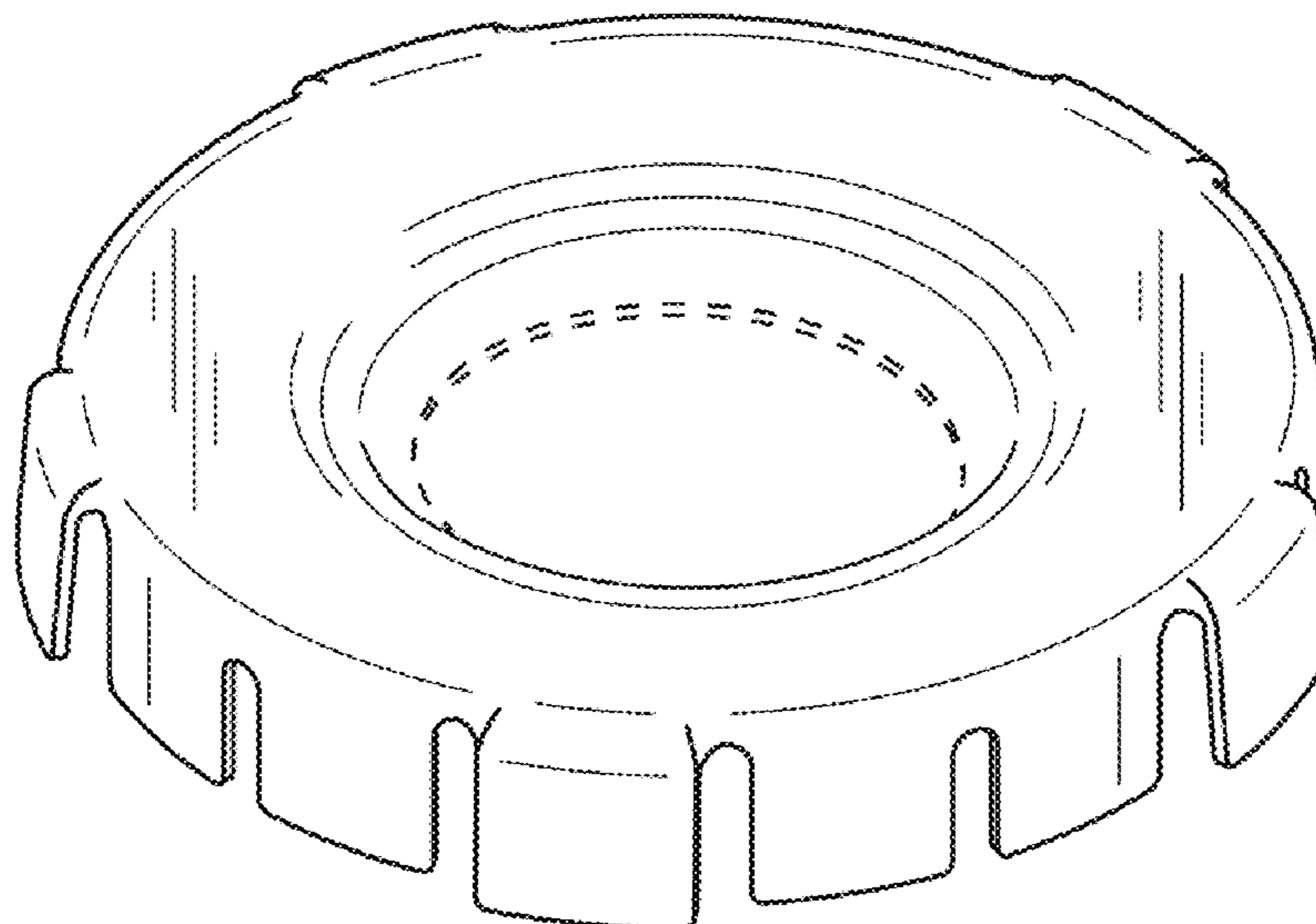
FOREIGN PATENT DOCUMENTS
JP 2007-229342 A 9/2007
TW D126367 S 12/2008
TW D126368 S 12/2008

OTHER PUBLICATIONS
Notice of Allowance from Taiwan Design Patent App. No. 10921225860
(dated Dec. 16, 2020).
Primary Examiner — Karen S Acker
Assistant Examiner — Jonathan E Fiencke
(74) *Attorney, Agent, or Firm* — Cermak Nakajima &
McGowan LLP; Tomoko Nakajima

(57) **CLAIM**
The ornamental design for a sprinkler head accessory, as
shown and described.

DESCRIPTION
FIG. 1 is a front elevational view of a sprinkler head
accessory showing my new design;
FIG. 2 is a rear elevational thereof;
FIG. 3 is a right side elevational view thereof;
FIG. 4 is a left side elevational view thereof;
FIG. 5 is a top plan view thereof;
FIG. 6 is a bottom plan view thereof;
FIG. 7 is a perspective view thereof;
FIG. 8 is a cross-sectional view thereof, taken in the direc-
tion of line 8-8 of FIG. 1;
FIG. 9 is a front elevational view of the sprinkler head
accessory and an outer cover of a sprinkler head, wherein the
sprinkler head accessory is in a using position with the outer
cover; and,
FIG. 10 is a cross-sectional view thereof, taken in the
direction of line 10-10 of FIG. 9.
The broken lines shown in FIGS. 1-10 depict the center area
portion of the sprinkler head accessory that forms no part of
the claimed design.
The broken lines shown around the sprinkler head accessory
in FIGS. 9 and 10 depict the environment of an outer cover
that forms no part of the claimed design.

1 Claim, 10 Drawing Sheets



(56)

References Cited

U.S. PATENT DOCUMENTS

D604,804	S	11/2009	VanEerden et al.	
D632,944	S *	2/2011	Kang	D8/312
D663,009	S *	7/2012	Koiwa	D23/214
8,376,060	B2	2/2013	Orr et al.	
D699,321	S	2/2014	Karihara et al.	
D728,743	S *	5/2015	Giles	D23/233
D747,183	S *	1/2016	Davidson	D8/397
D768,815	S	10/2016	Chen	
D775,933	S *	1/2017	Hill	D8/354
9,616,450	B2	4/2017	Connery et al.	
D795,682	S *	8/2017	Downs	D8/382
D797,890	S *	9/2017	Brown	D23/213
D813,981	S *	3/2018	Krombein	D23/213
D829,080	S *	9/2018	Hill	D8/354
D898,879	S *	10/2020	Kalb	D23/262
D912,204	S *	3/2021	Kim	D23/213
D932,293	S *	10/2021	Vuuren	D8/397
D935,304	S *	11/2021	Fiello	D8/354
D936,201	S *	11/2021	Bar-Zeev	D23/365
D945,869	S *	3/2022	Painter	D8/382
D951,082	S *	5/2022	Langenwalter	D8/396
D952,453	S *	5/2022	Lin	D8/396

* cited by examiner

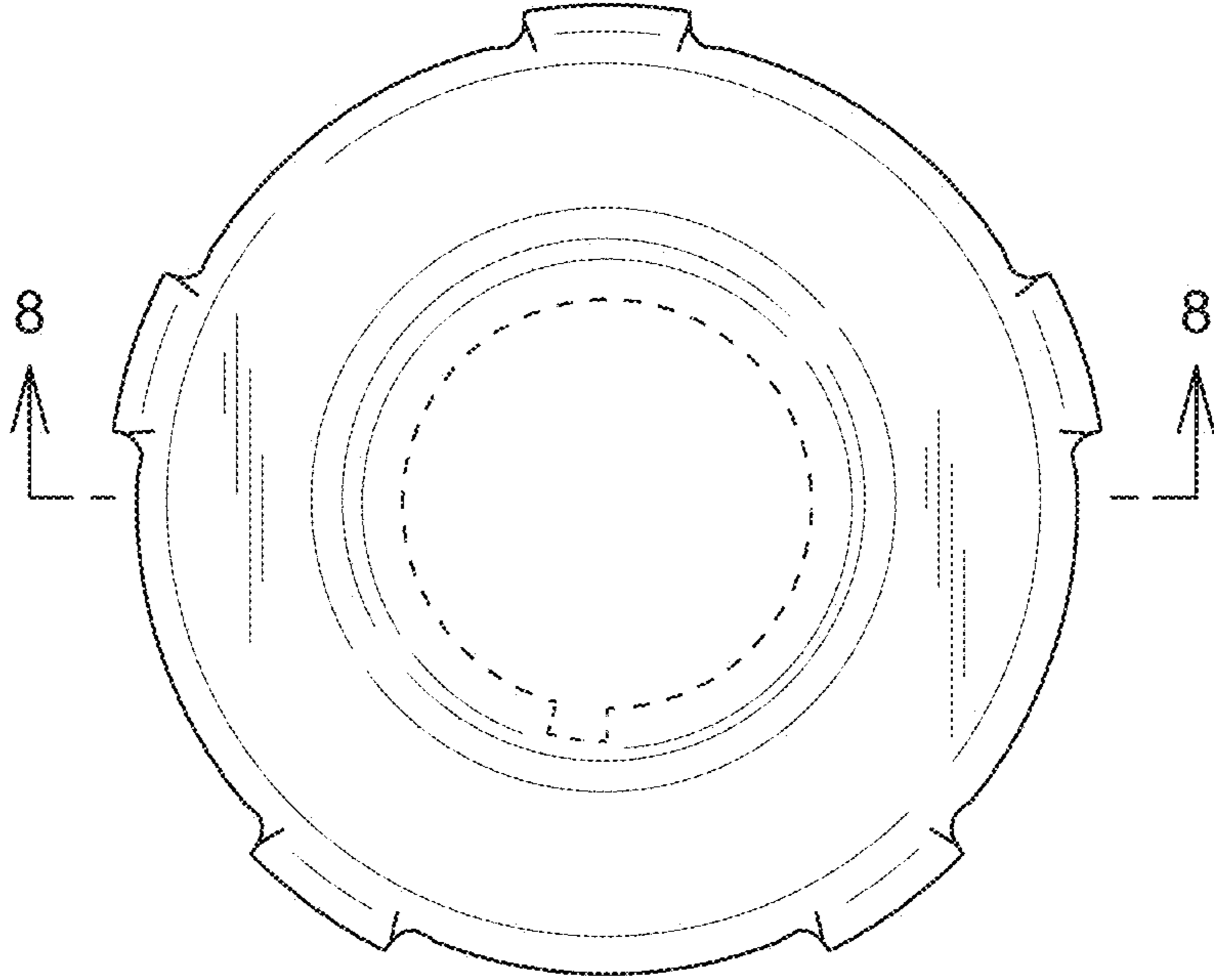


FIG. 1

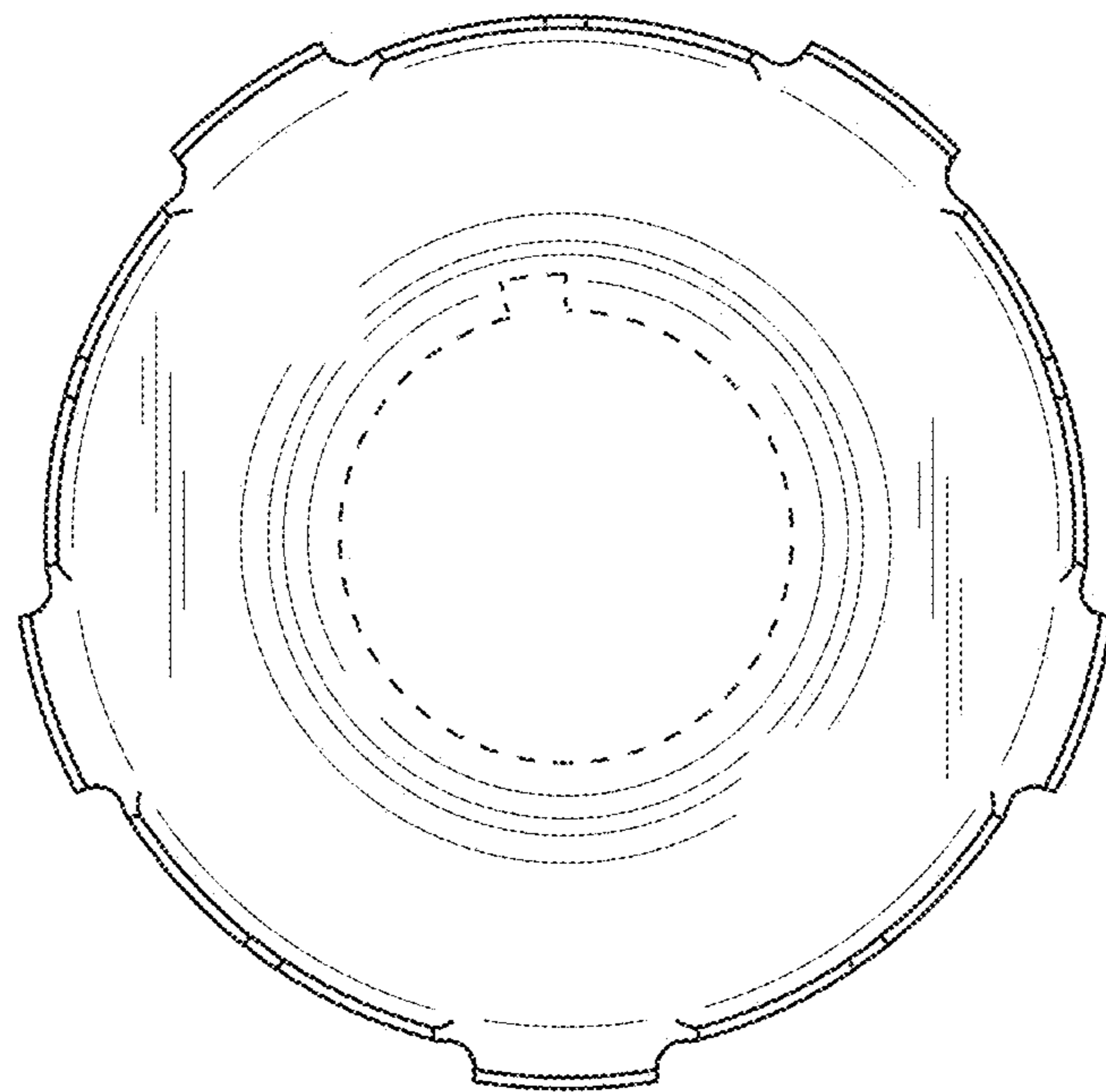


FIG. 2

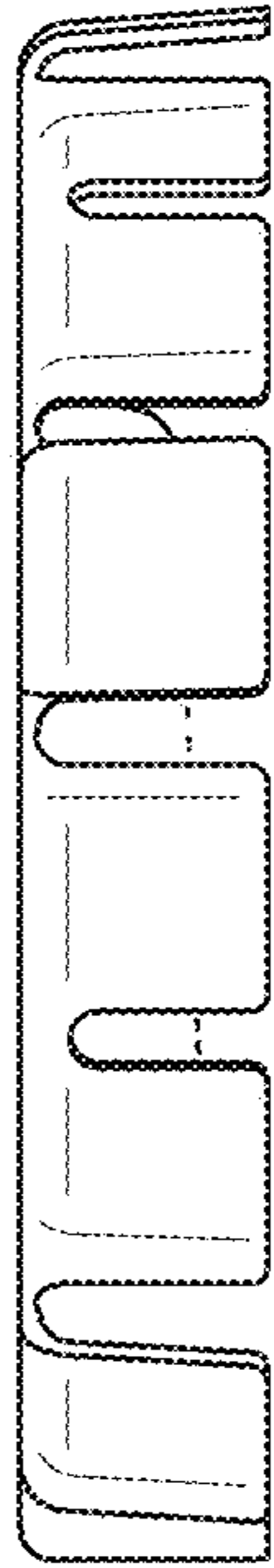


FIG. 3

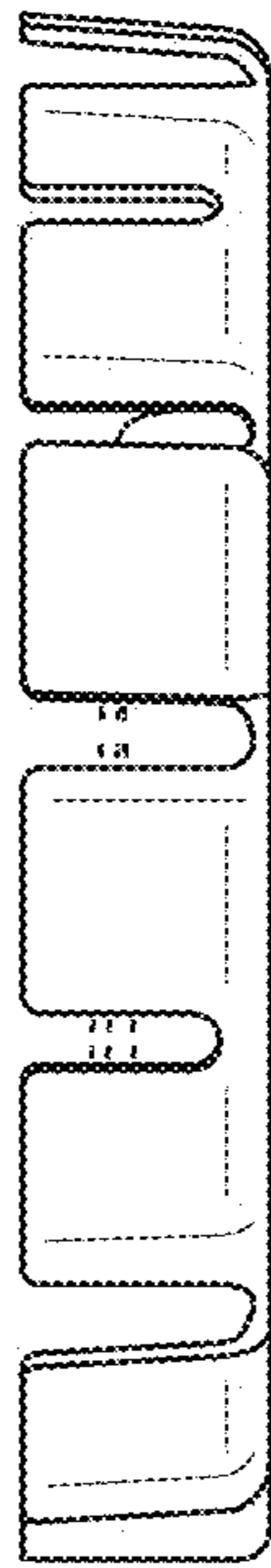


FIG. 4

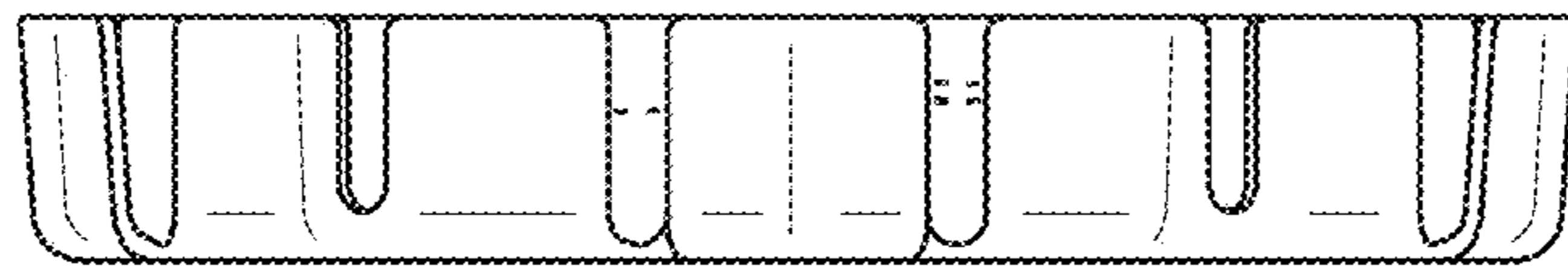


FIG. 5

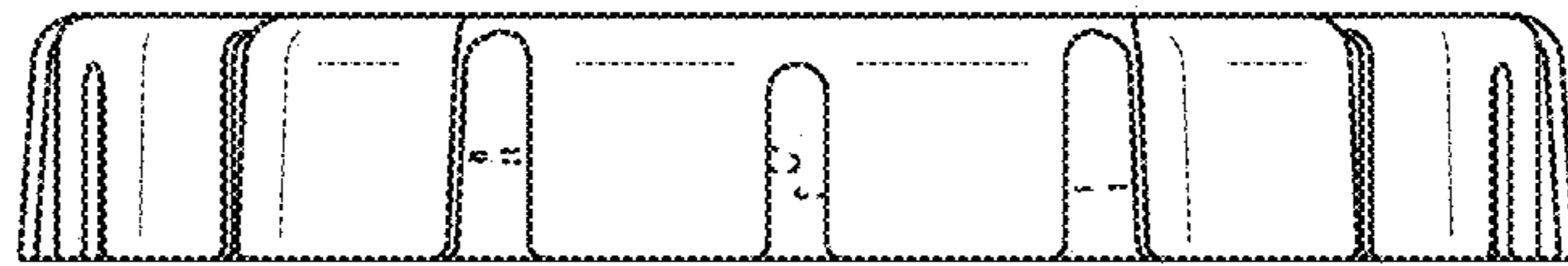


FIG. 6

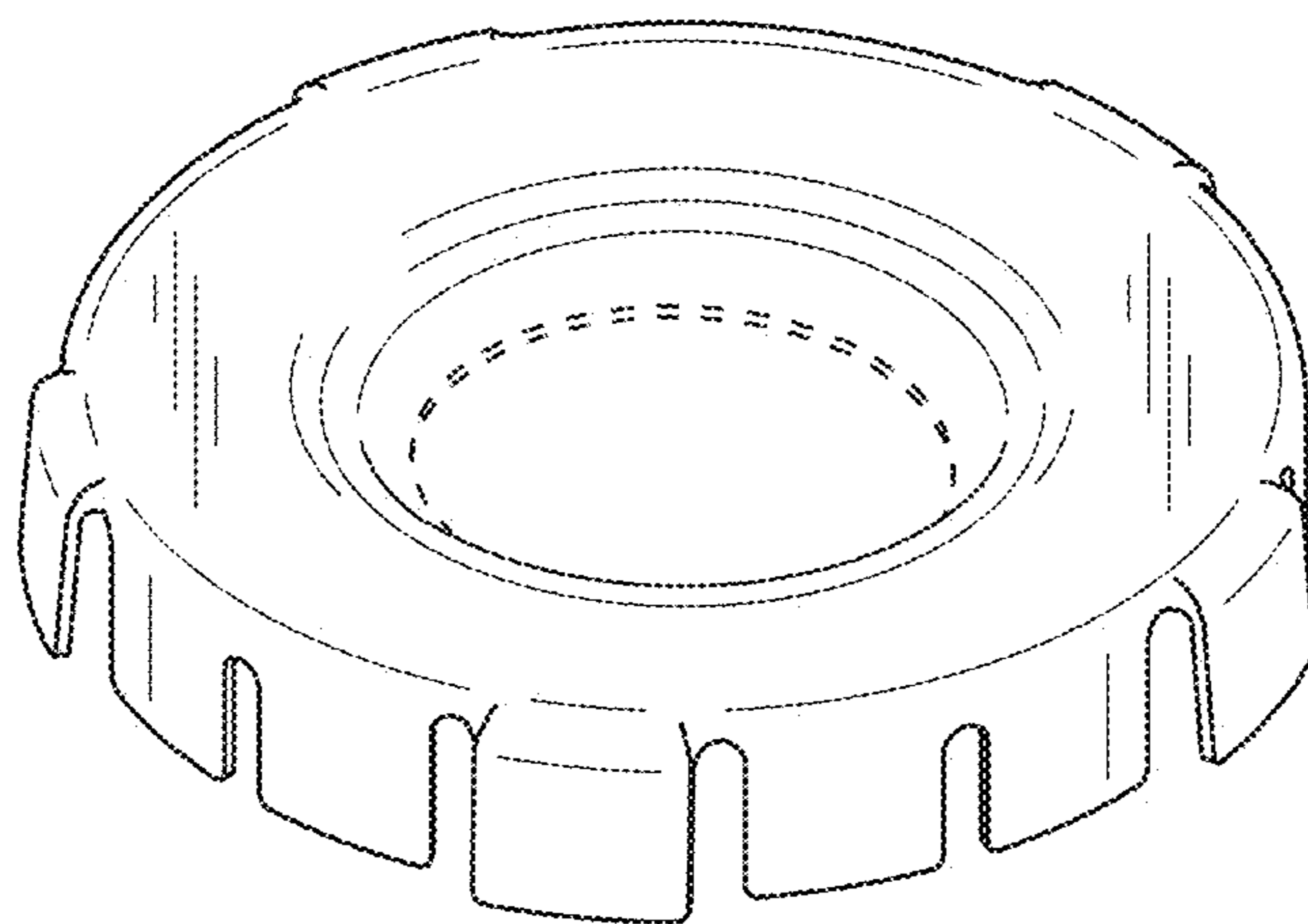


FIG. 7



FIG. 8

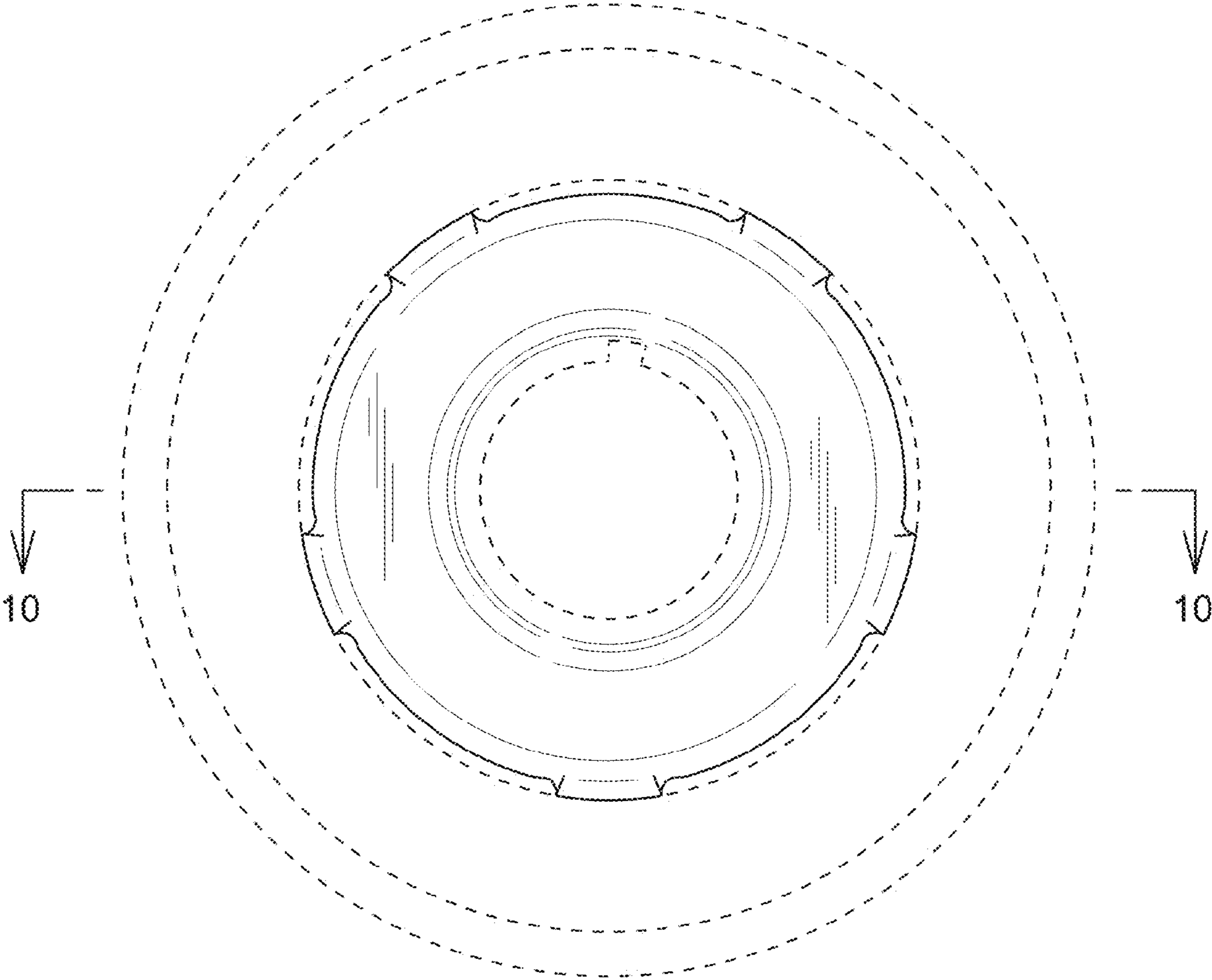


FIG. 9

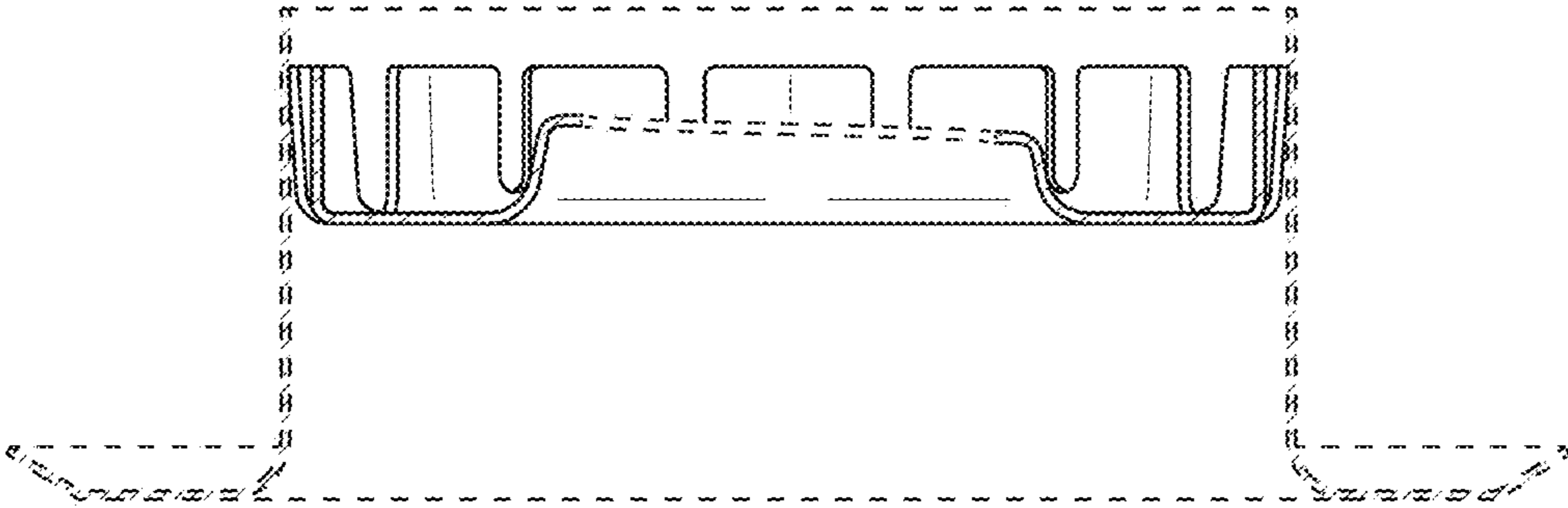


FIG. 10