

US00D963109S

(12) **United States Design Patent**
Michael et al.

(10) **Patent No.:** **US D963,109 S**

(45) **Date of Patent:** **** Sep. 6, 2022**

(54) **WATER SPRINKLER**

(71) Applicant: **MELNOR, INC.**, Winchester, VA (US)

(72) Inventors: **Vicky Michael**, Winchester, VA (US);
Christopher Murray, Philadelphia, PA (US); **Thomas Murray**, Philadelphia, PA (US); **Cody Chapman**, Philadelphia, PA (US); **Jason Zerweck**, Media, PA (US)

(73) Assignee: **Melnor Inc.**, Winchester, VA (US)

(**) Term: **15 Years**

(21) Appl. No.: **29/703,490**

(22) Filed: **Aug. 27, 2019**

(51) **LOC (13) Cl.** **23-01**

(52) **U.S. Cl.**
USPC **D23/214**

(58) **Field of Classification Search**
USPC D23/213, 214, 215, 221–222, 223, 224,
D23/226, 229, 230

CPC A61H 9/0021; A61H 33/00; B05B 1/00;
B05B 1/14; B05B 1/185; B05B 1/08;
B05B 1/02; B05B 1/26; B05B 12/002;
B05B 1/18; B05B 9/01

See application file for complete search history.

(56) **References Cited**

U.S. PATENT DOCUMENTS

| | | | |
|--------------|---------|-----------------|---------|
| D282,769 S * | 2/1986 | Lemkin | D23/216 |
| D303,283 S * | 9/1989 | Best | D23/216 |
| D315,395 S * | 3/1991 | Clivio | D23/216 |
| D351,214 S * | 10/1994 | Clivio | D23/214 |
| D371,596 S * | 7/1996 | Simonetti | D23/214 |
| D383,193 S * | 9/1997 | Heren | D23/216 |
| D387,127 S * | 12/1997 | Guo | D23/216 |
| D415,555 S * | 10/1999 | Kuo | D23/214 |
| D421,639 S * | 3/2000 | Clivio | D23/214 |

| | | | |
|--------------|---------|---------------|---------|
| D440,629 S * | 4/2001 | Guo | D23/216 |
| D458,983 S * | 6/2002 | Chen | D23/216 |
| D459,436 S * | 6/2002 | Chao | D23/216 |
| D466,184 S * | 11/2002 | Kuo | D23/216 |
| D466,974 S * | 12/2002 | Kuo | D23/216 |
| D466,975 S * | 12/2002 | Kuo | D23/216 |
| D469,849 S * | 2/2003 | Nien | D23/216 |
| D470,218 S * | 2/2003 | Alkalay | D23/216 |

(Continued)

OTHER PUBLICATIONS

Aqua Joe AJ-OMS18-BRS Indestructible 4295 Sq Ft 18 Hole Oscillating Sprinkler, Jul. 10, 2020, amazon.com Mar. 22, 2020 https://www.amazon.com/dp/B084T8TKX7/ref=sbl_dp_x_outdoor-gardening-watering-sprinklers_B079C7VWT2_0 (Year: 2020).*

Primary Examiner — Keith J Wilson

(74) *Attorney, Agent, or Firm* — HEA Law PLLC; Darrin A. Auito

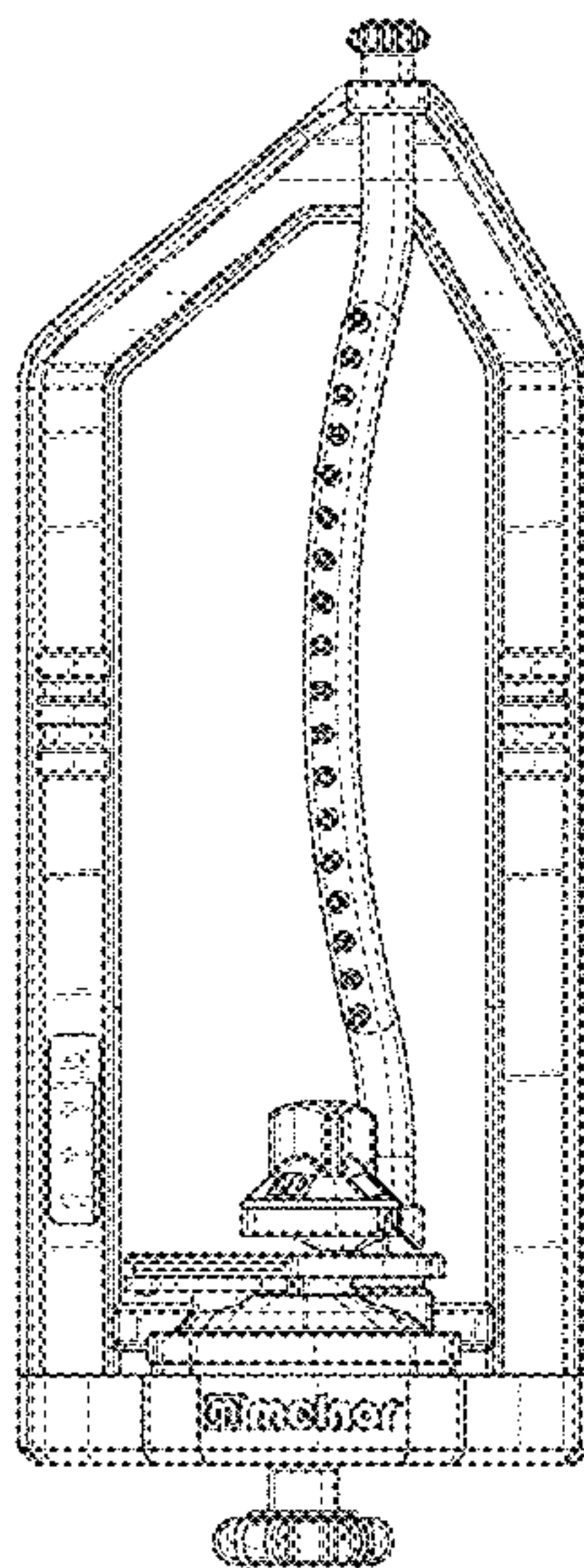
(57) **CLAIM**

The ornamental design for a water sprinkler, as shown and described.

DESCRIPTION

FIG. 1 is a top view of a water sprinkler;
FIG. 2 is a bottom view of the water sprinkler shown in FIG. 1;
FIG. 3 is a front view of the water sprinkler shown in FIG. 1 (i.e., as seen from a right side of the view shown in FIG. 1);
FIG. 4 is a left side view of the water sprinkler in FIG. 1 (i.e., as seen from a bottom side of the view shown in FIG. 1);
FIG. 5 is a right side view of the water sprinkler in FIG. 1 (i.e., as seen from a top side of the view shown in FIG. 1);
FIG. 6 is a top-front-left perspective view of the water sprinkler shown in FIG. 1; and,
FIG. 7 is a top-front-right perspective view of the water sprinkler shown in FIG. 1.

1 Claim, 6 Drawing Sheets



(56)

References Cited

U.S. PATENT DOCUMENTS

| | | | |
|--------------|---------|-----------------|---------|
| D479,574 S * | 9/2003 | Nien | D23/216 |
| D500,122 S * | 12/2004 | Schapper | D23/216 |
| D508,281 S * | 8/2005 | McClellan | D23/207 |
| D613,371 S * | 4/2010 | Nies | D23/216 |
| D618,307 S * | 6/2010 | Nies | D23/216 |
| D618,308 S * | 6/2010 | Nies | D23/216 |
| D754,284 S * | 4/2016 | Stowers | D23/216 |
| D762,817 S * | 8/2016 | Salsberg | D23/216 |
| D769,411 S * | 10/2016 | Stowers | D23/216 |
| D806,210 S * | 12/2017 | Rodriguez | D23/216 |
| D807,475 S * | 1/2018 | Rodriguez | D23/216 |

* cited by examiner

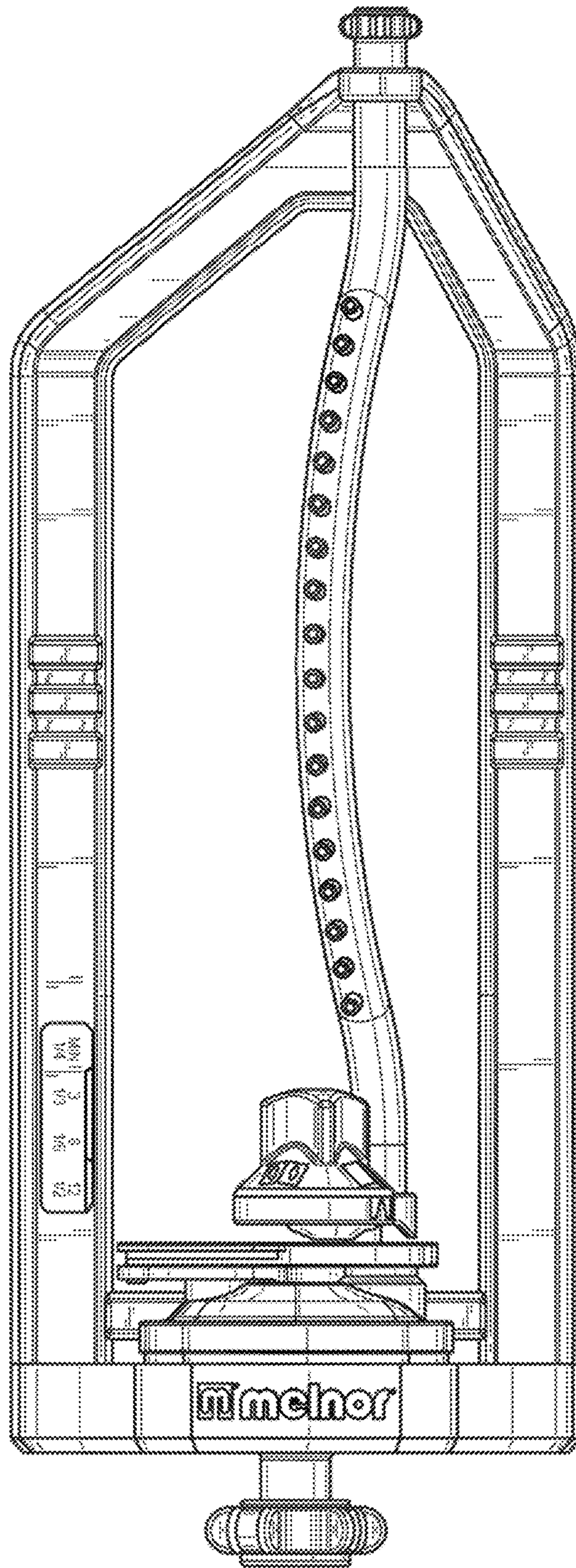


FIG. 1

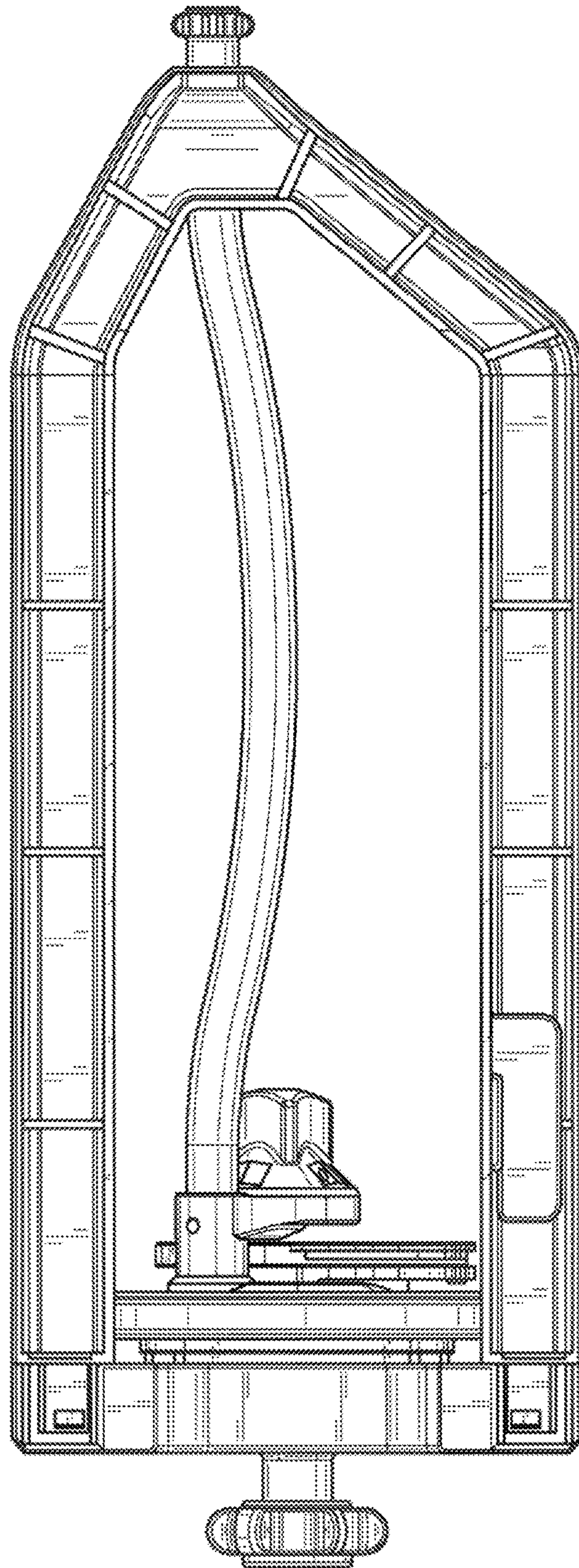


FIG. 2

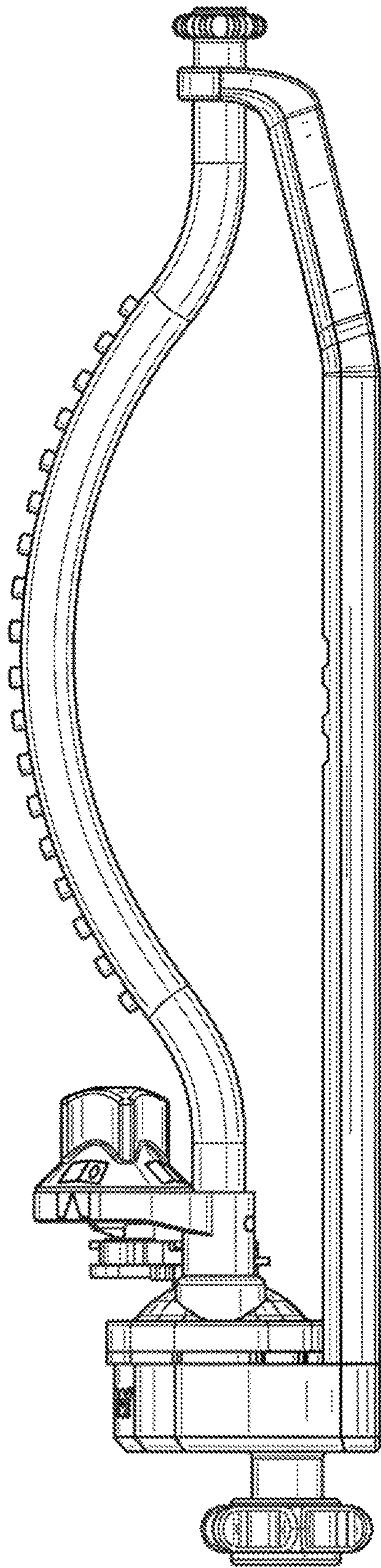


FIG. 3

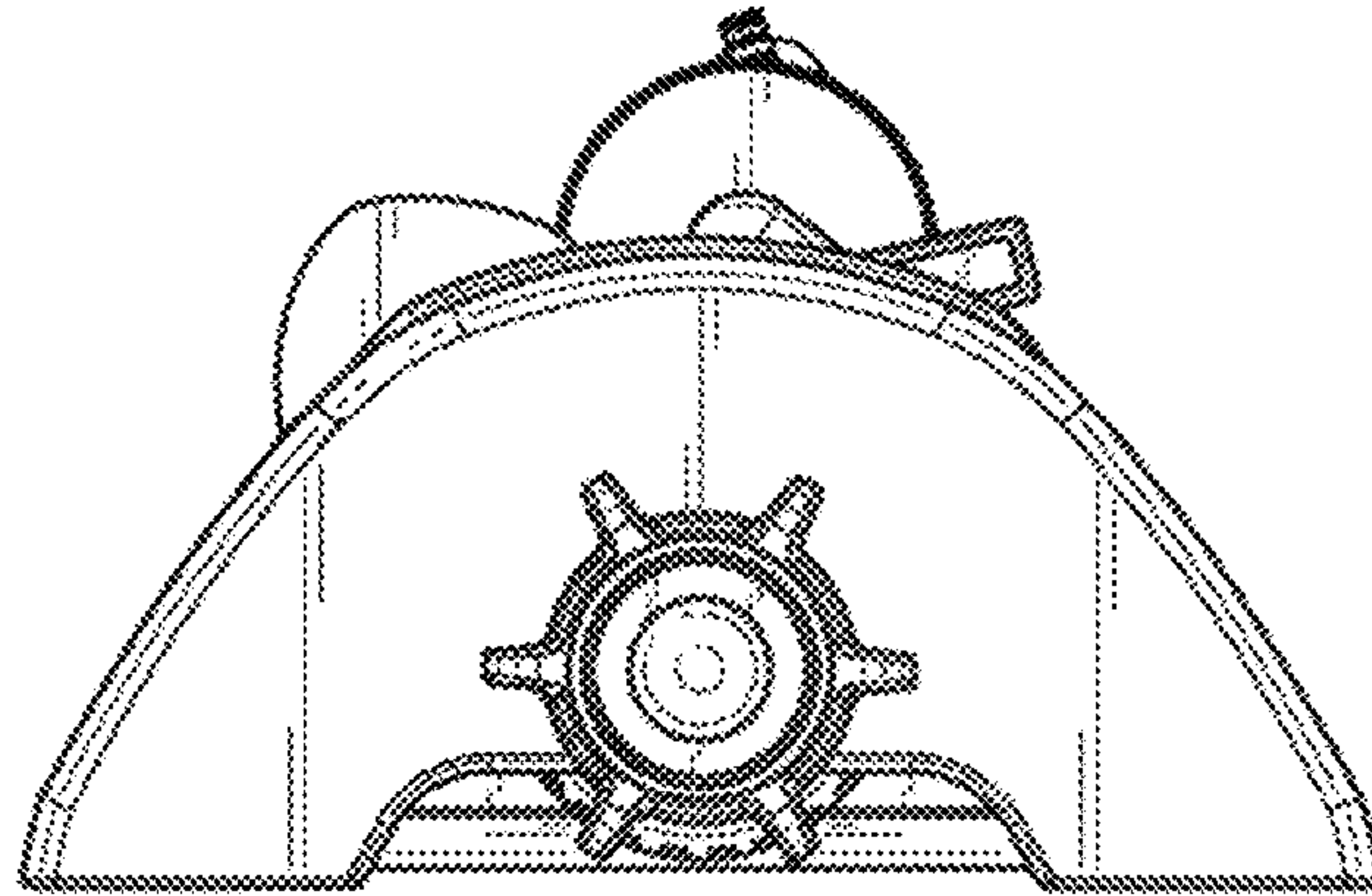


FIG. 4

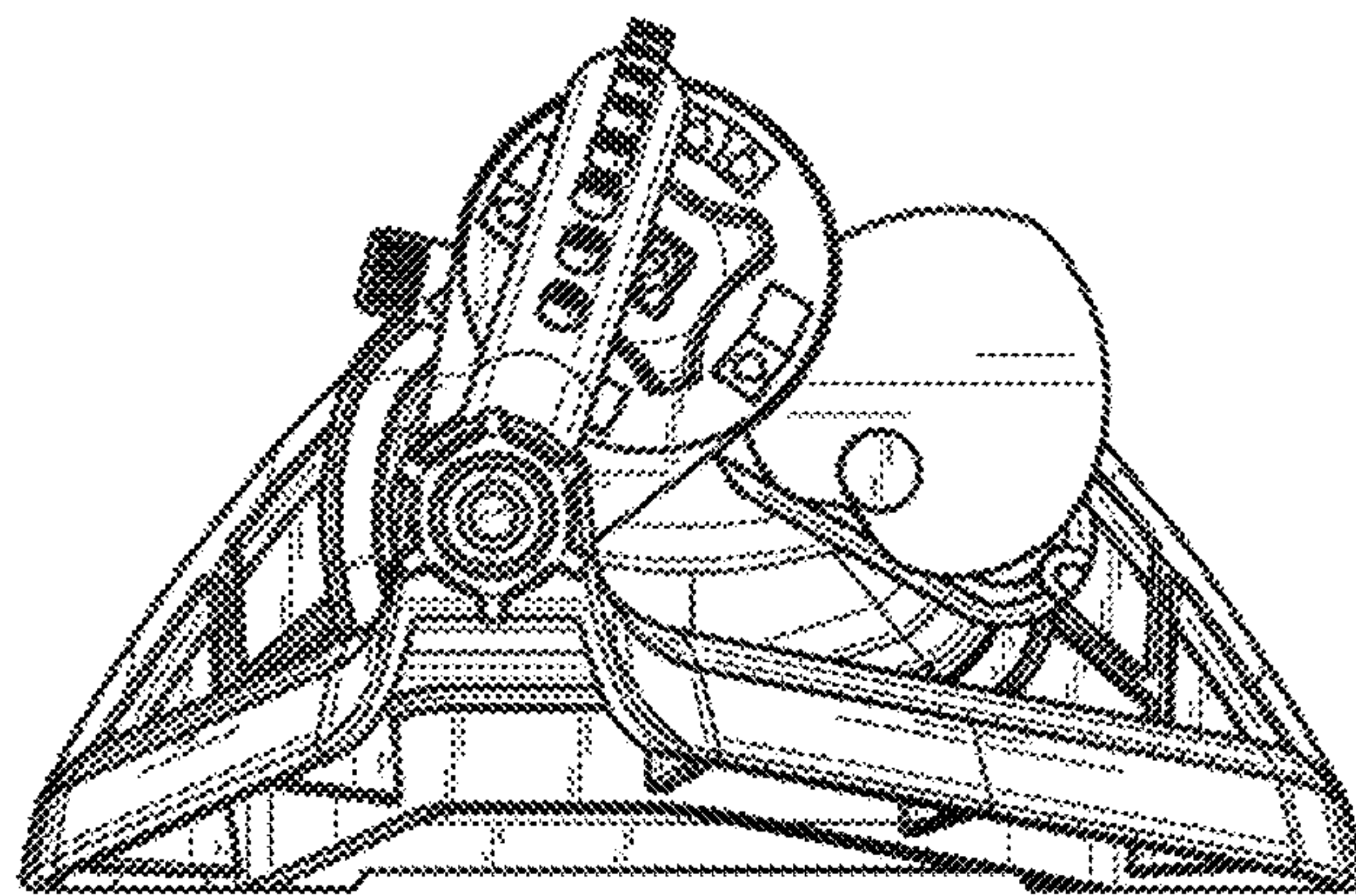


FIG. 5

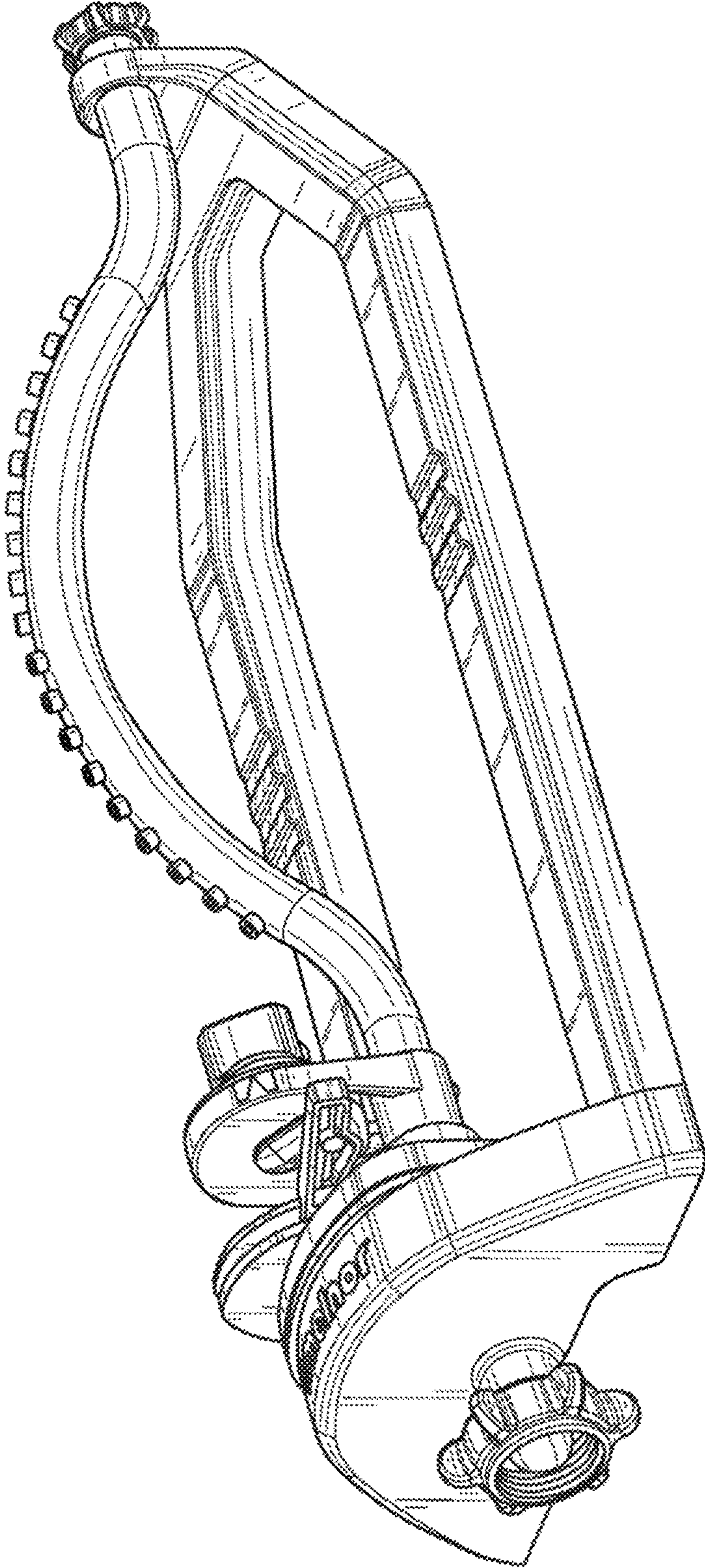


FIG. 6

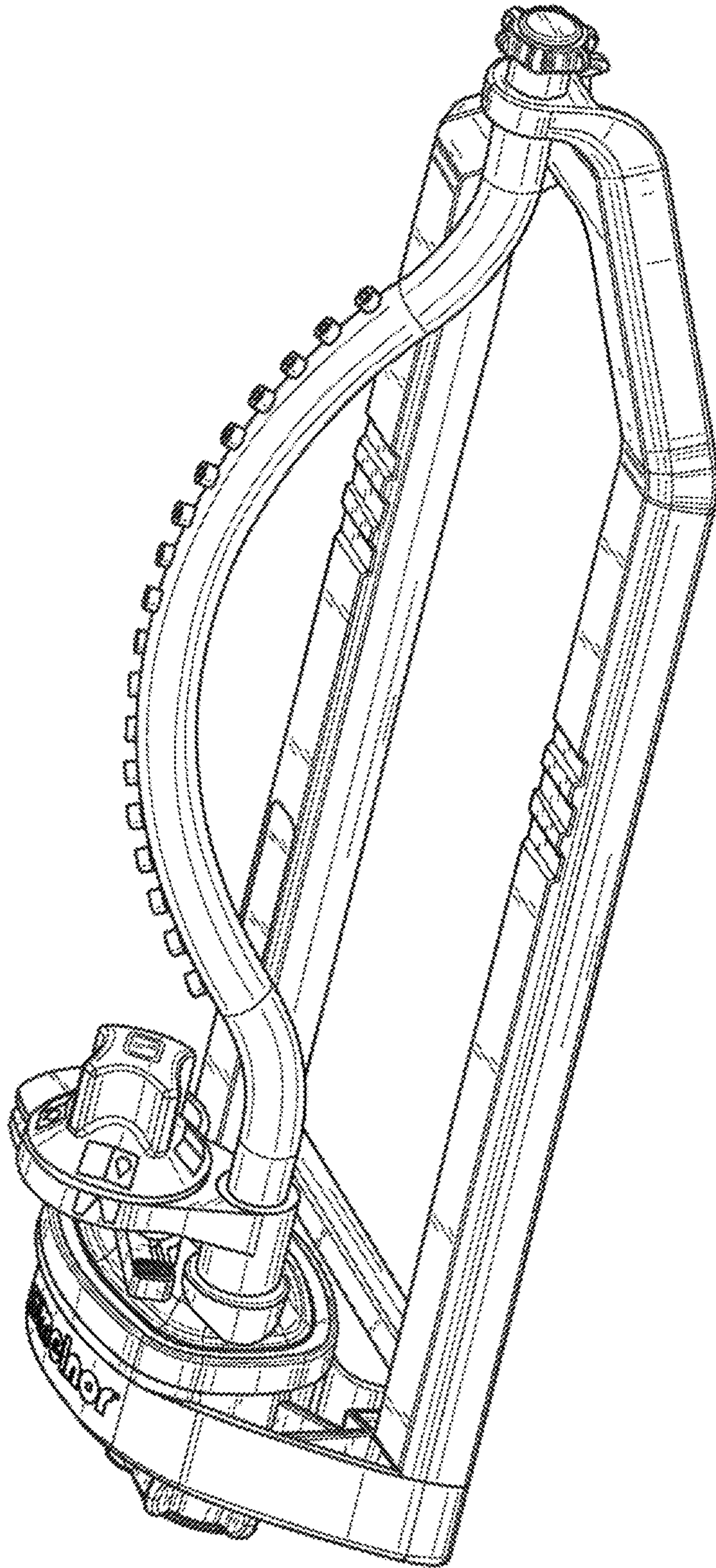


FIG. 7