



US00D963108S

(12) **United States Design Patent**
Horoba

(10) **Patent No.:** **US D963,108 S**

(45) **Date of Patent:** **** Sep. 6, 2022**

(54) **FAUCET STREAM STRAIGHTENER**

(71) Applicant: **Neoperl GmbH**, Müllheim (DE)

(72) Inventor: **Sascha Horoba**, Gottenheim (DE)

(73) Assignee: **Neoperl GmbH**, Müllheim (DE)

(**) Term: **15 Years**

(21) Appl. No.: **35/511,648**

(22) Filed: **Mar. 19, 2021**

(80) **Hague Agreement Data**

Int. Filing Date: **Mar. 19, 2021**

Int. Reg. No.: **DM/213332**

Int. Reg. Date: **Mar. 19, 2021**

Int. Reg. Pub. Date: **Apr. 2, 2021**

(51) **LOC (13) Cl.** **23-01**

(52) **U.S. Cl.**
USPC **D23/213**

(58) **Field of Classification Search**
USPC D23/213, 229, 233, 235, 247-249, 264
CPC B05B 7/0425; E03C 1/08; E03C 1/084;
E03C 1/086; E03C 2001/026

See application file for complete search history.

(56) **References Cited**

U.S. PATENT DOCUMENTS

D614,735 S * 4/2010 Grether D23/249
D641,836 S * 7/2011 Grether D23/249
D690,796 S * 10/2013 Blum D23/249
D732,140 S * 6/2015 Tempel D23/213

D833,573 S * 11/2018 Blum E03C 1/08
D23/213

D834,153 S * 11/2018 Tempel D23/260

D860,402 S * 9/2019 Blum D23/249

D905,820 S * 12/2020 Weiß E03C 1/08
D23/213

D933,776 S * 10/2021 Blum D23/213

* cited by examiner

Primary Examiner — Keli L Hill

(74) *Attorney, Agent, or Firm* — Volpe Koenig

(57) **CLAIM**

The ornamental design for a faucet stream straightener, as shown and described.

DESCRIPTION

1. Faucet stream straightener

2. Faucet stream straightener

1.1 : Top

1.2 : Perspective

1.3 : Bottom

1.4 : Perspective

1.5 : Left

1.6 : Front

1.7 : Right

1.8 : Back

2.1 : Top

2.2 : Perspective

2.3 : Bottom

2.4 : Perspective

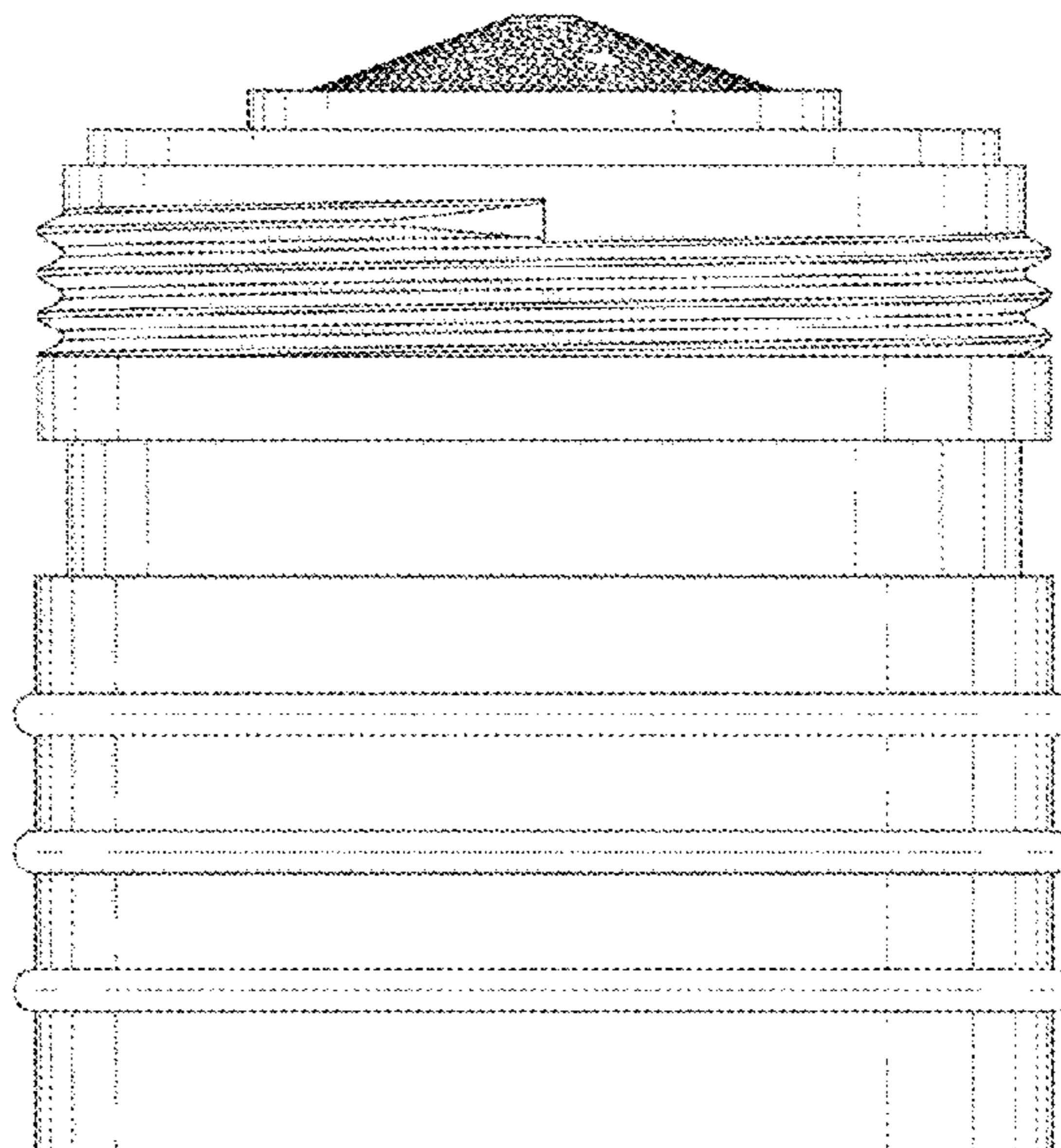
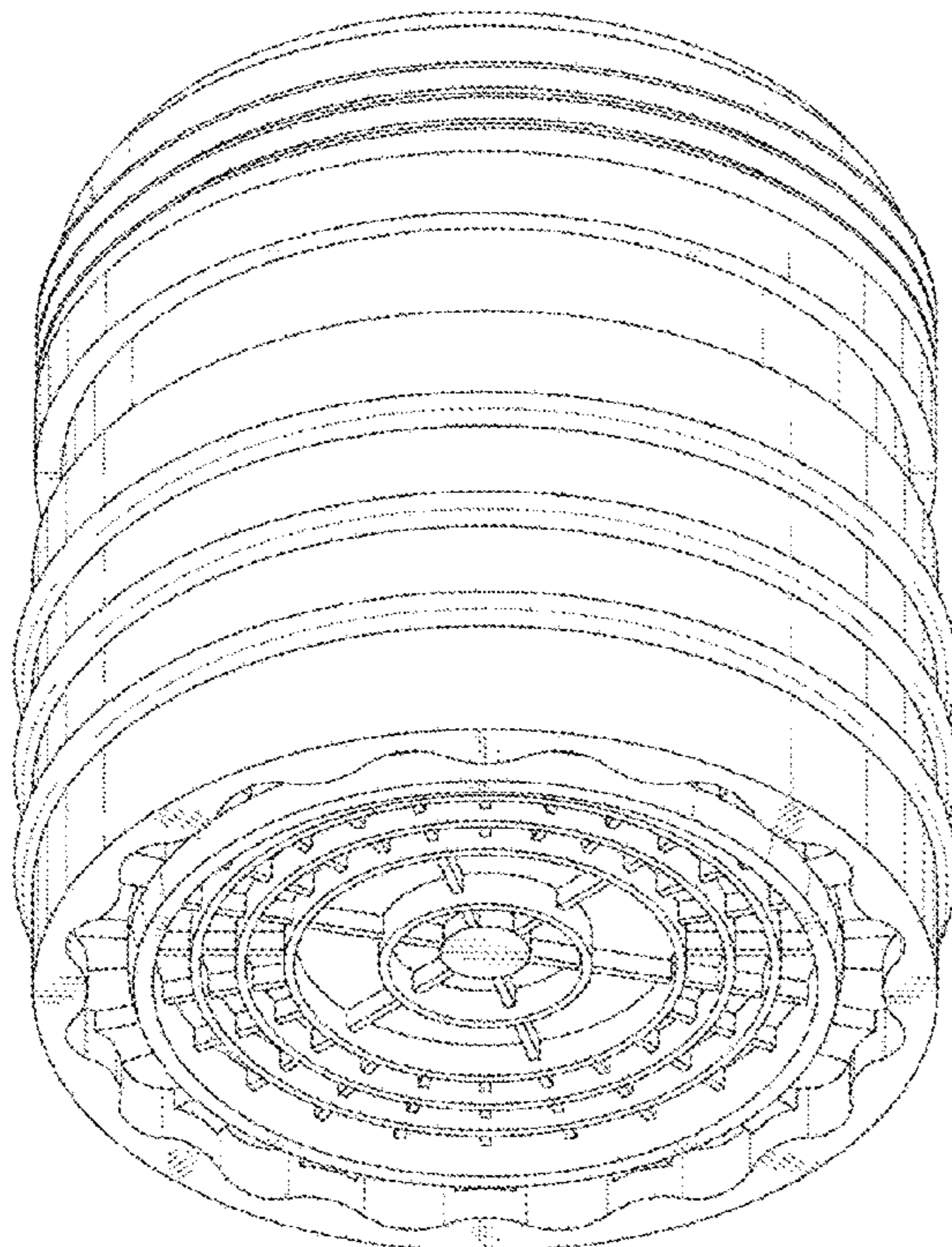
2.5 : Left

2.6 : Front

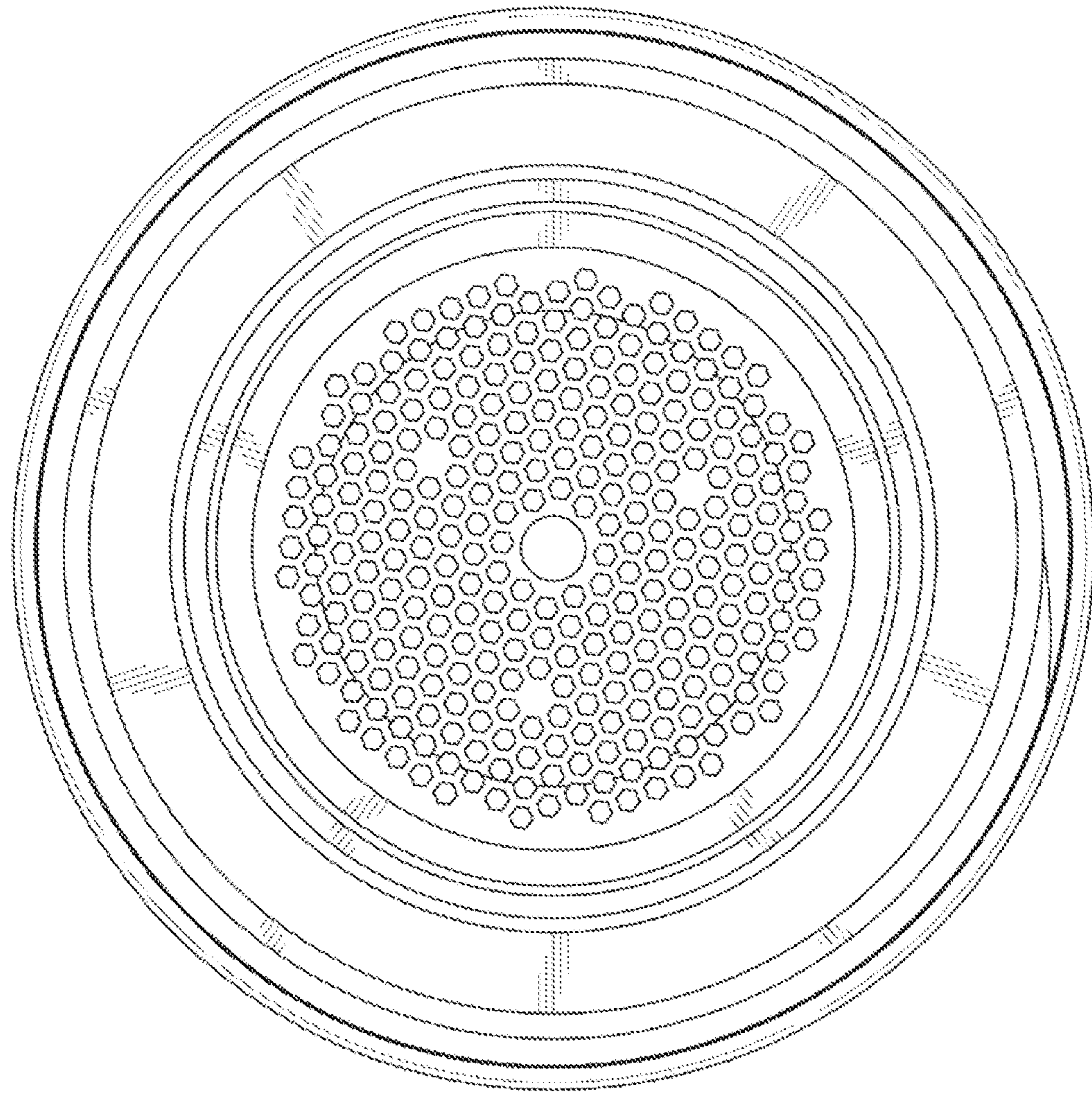
2.7 : Right

2.8 : Back

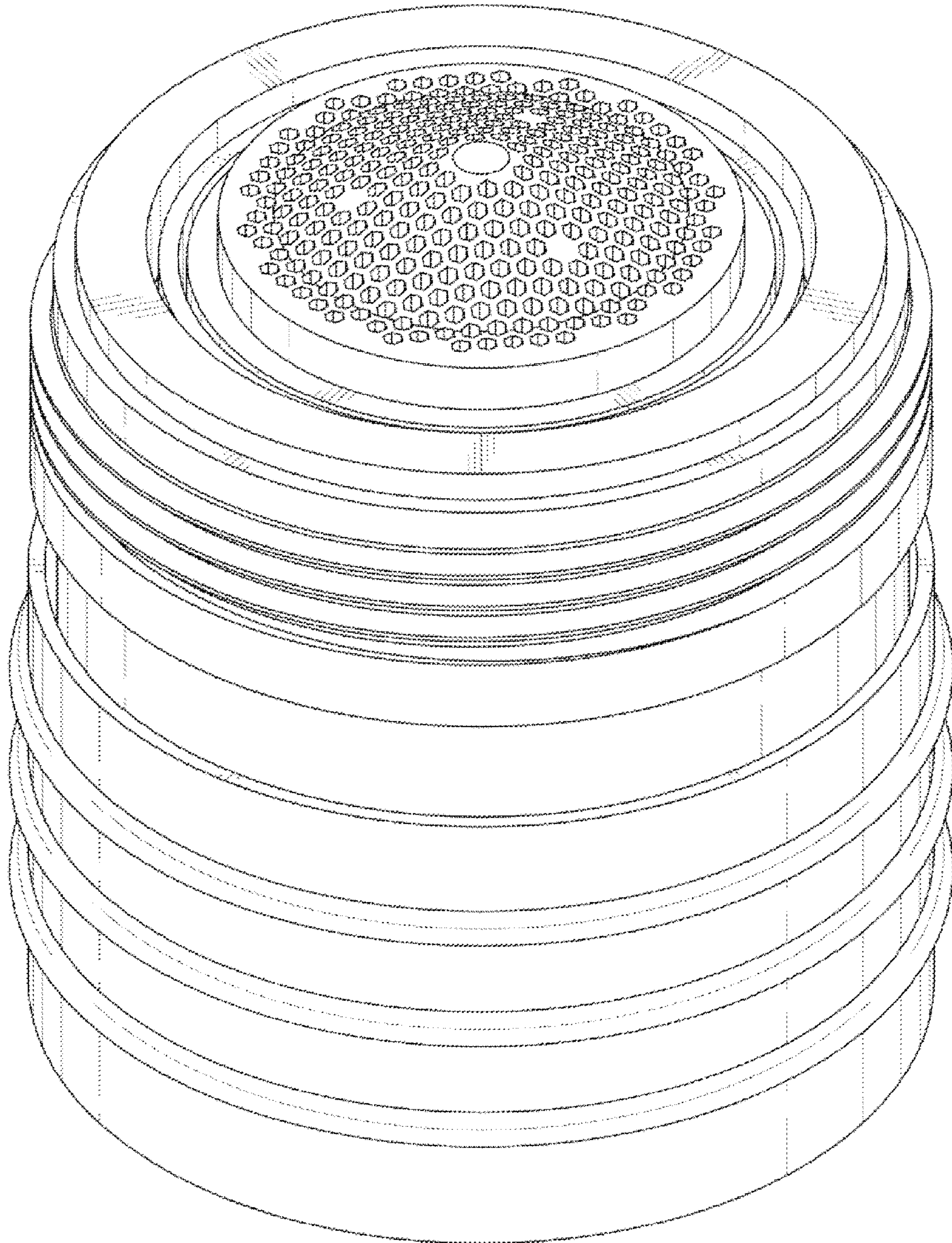
1 Claim, 16 Drawing Sheets



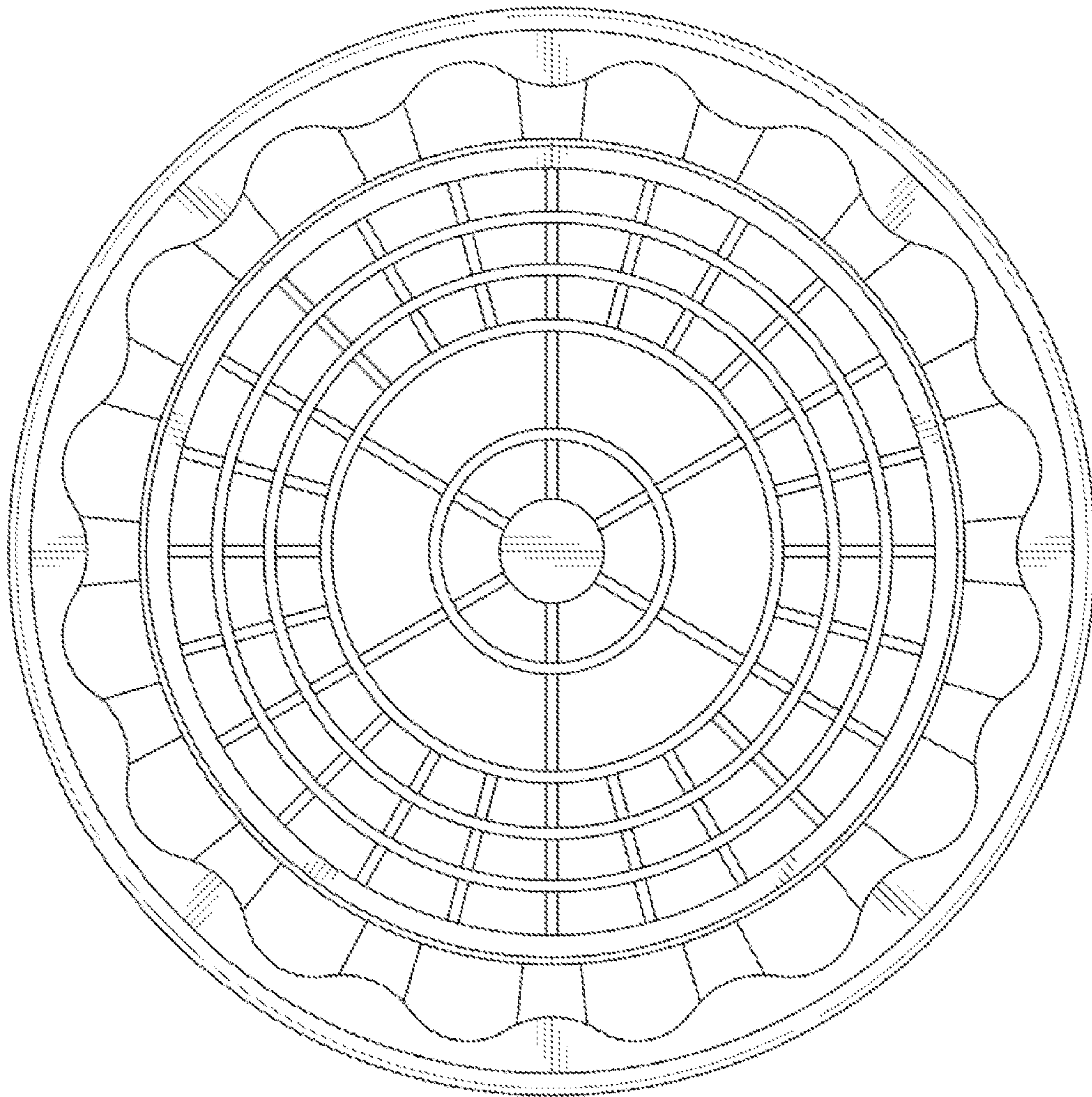
1.1



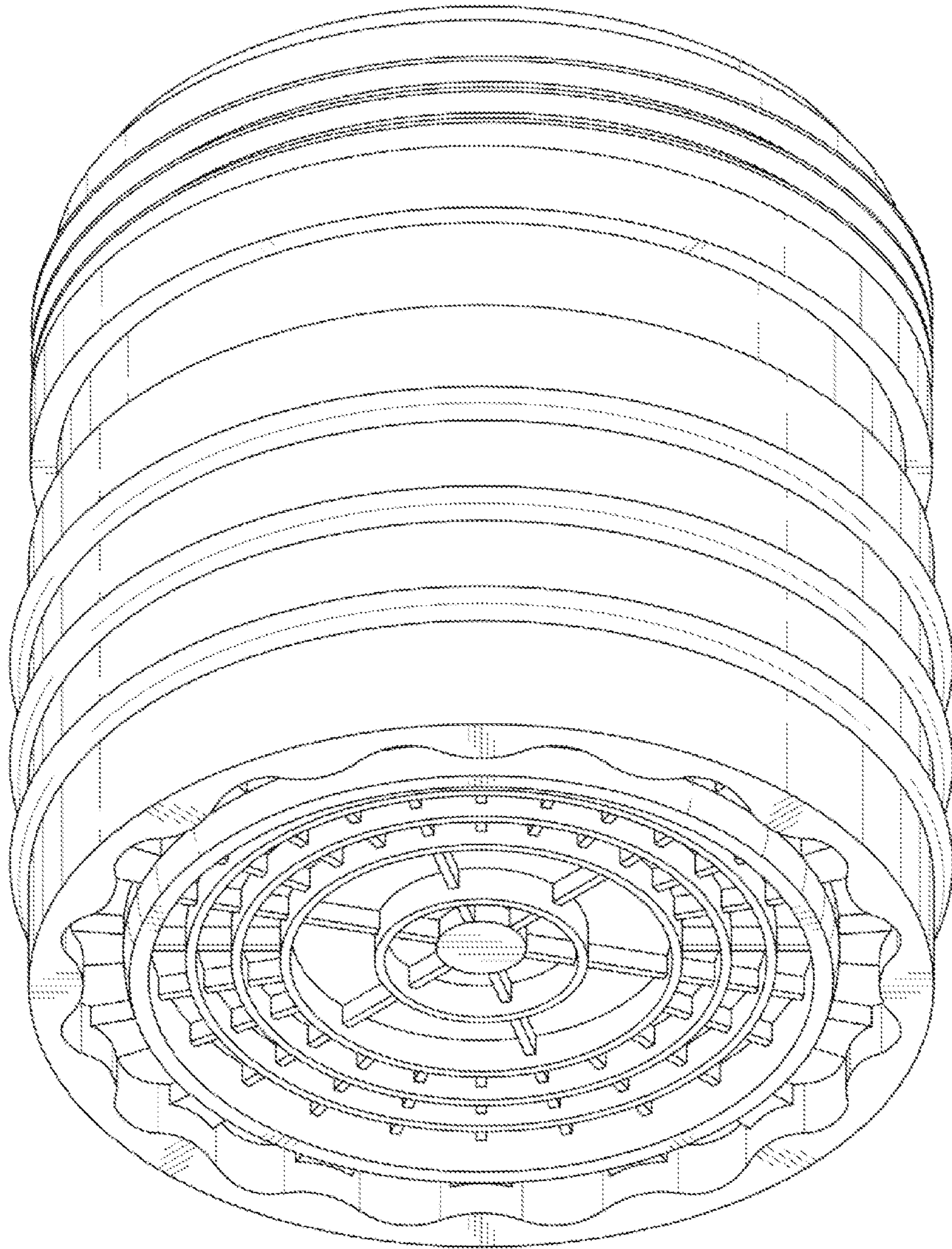
1.2



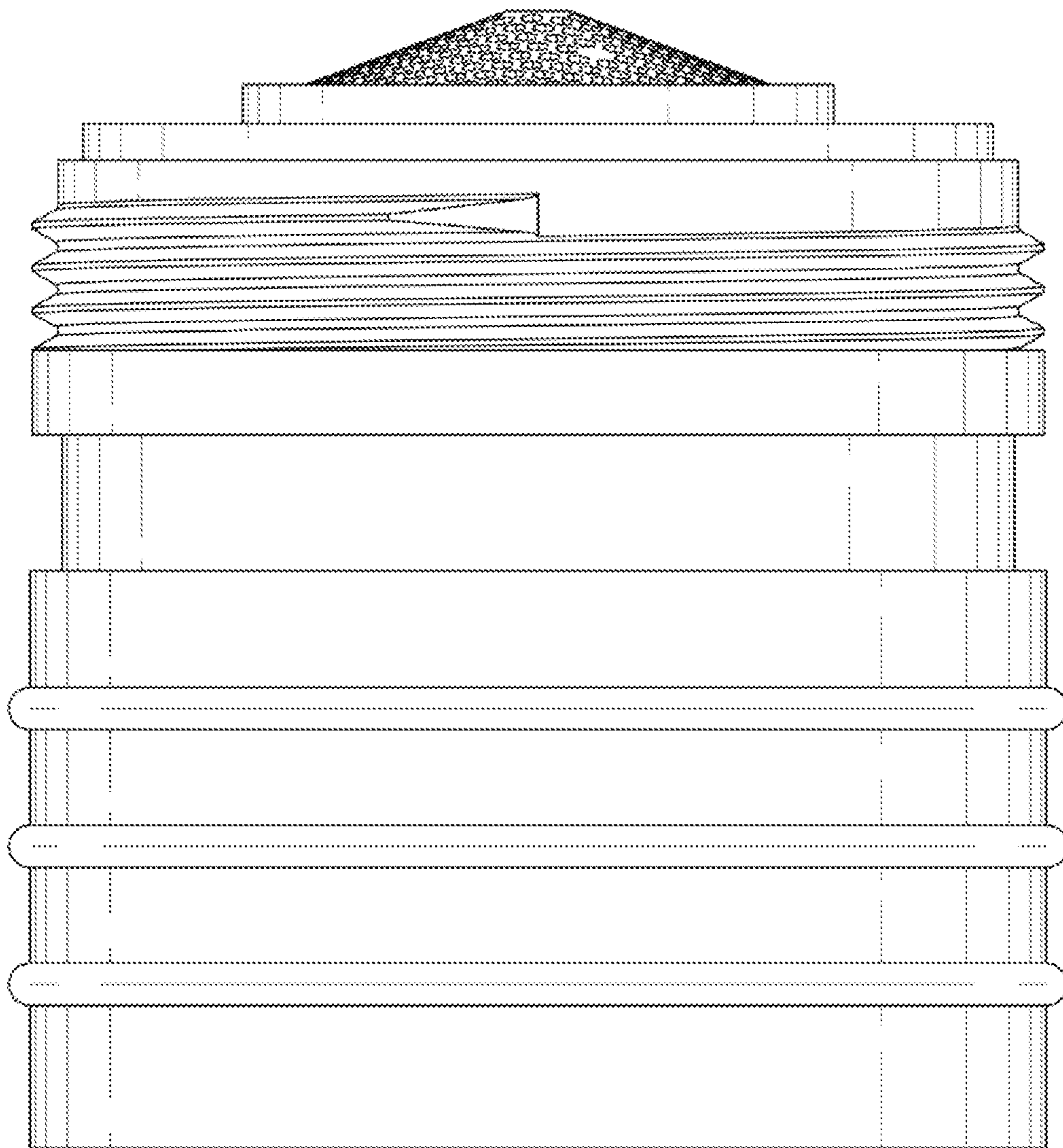
1.3



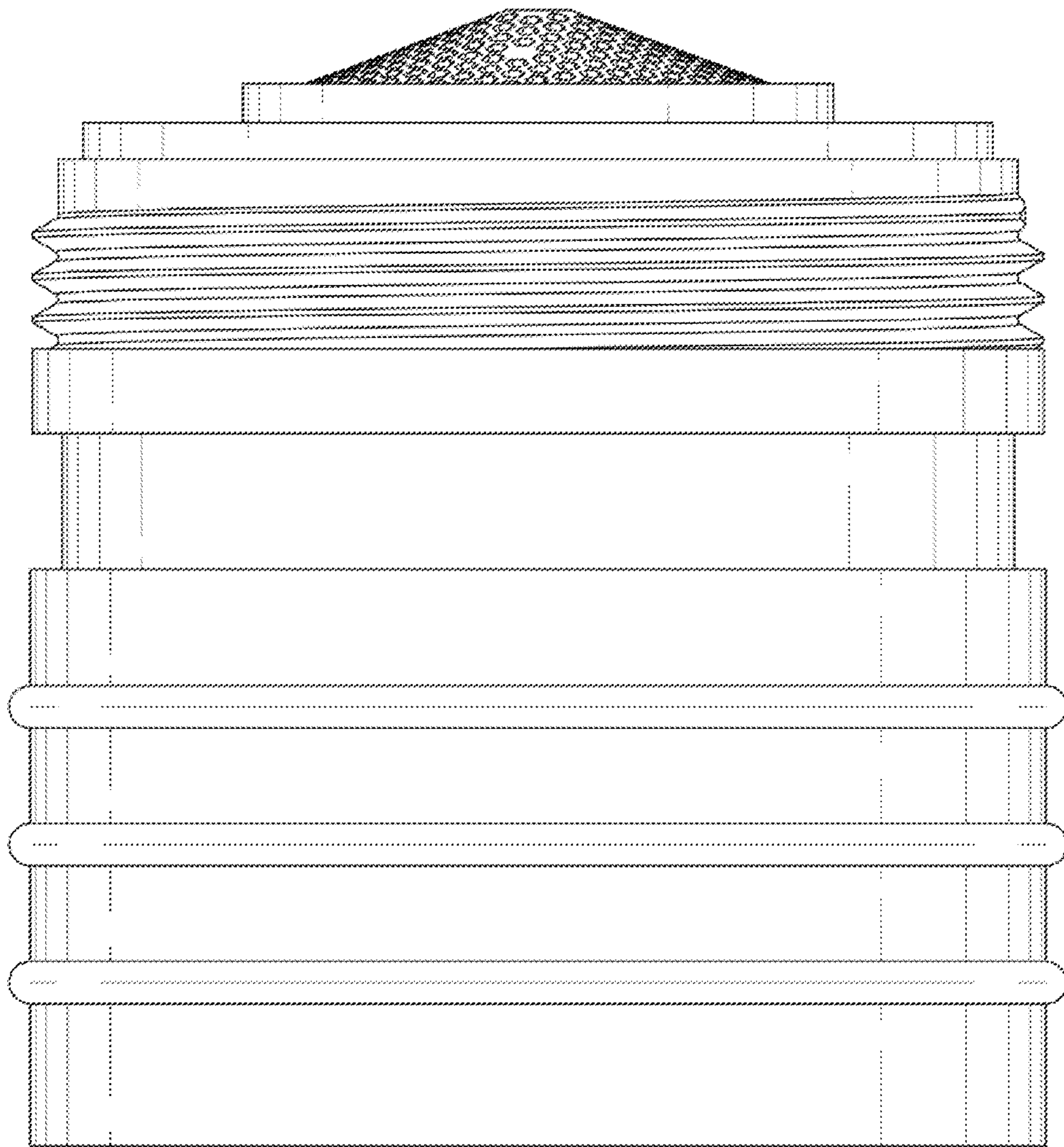
1.4



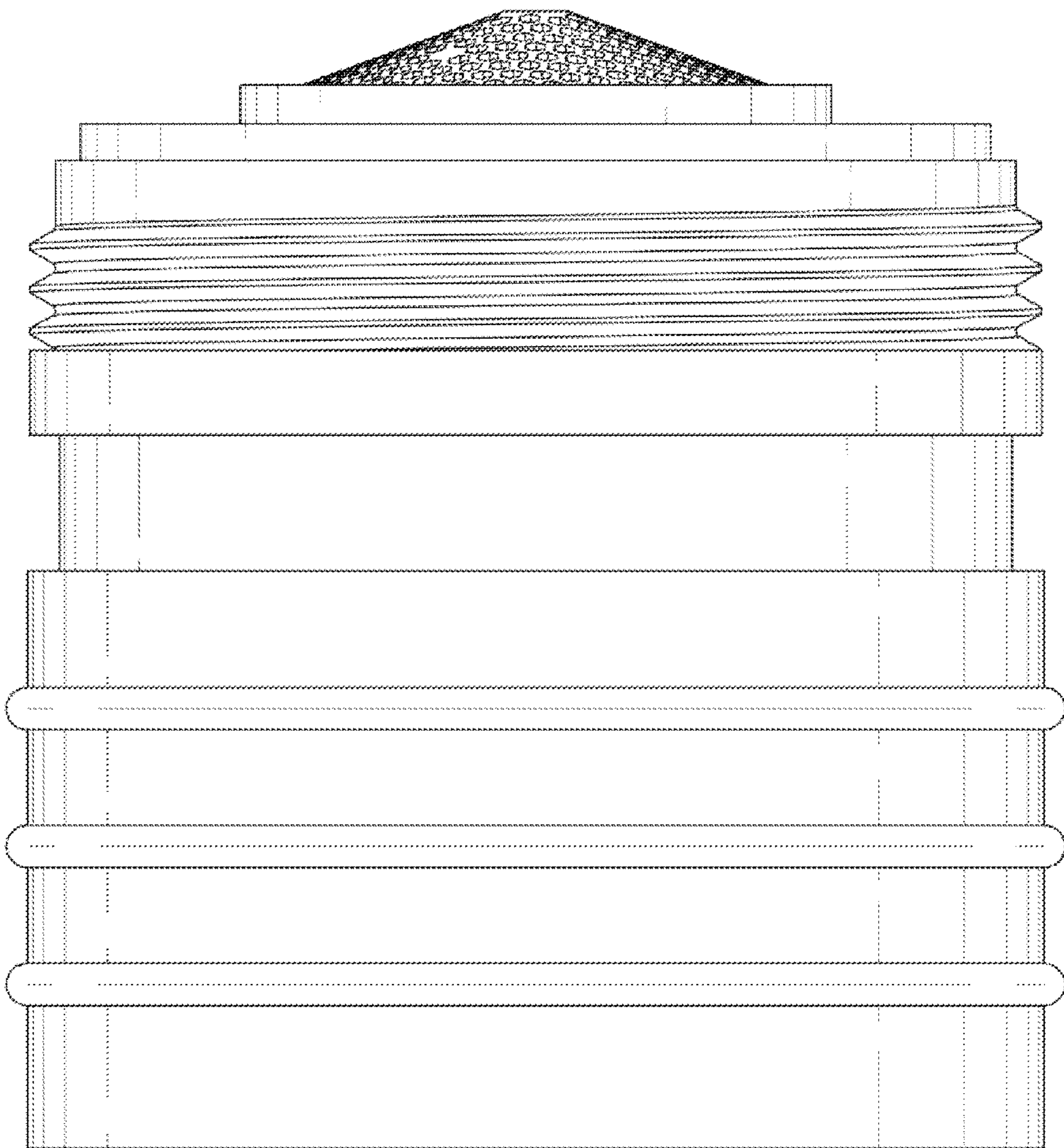
1.5



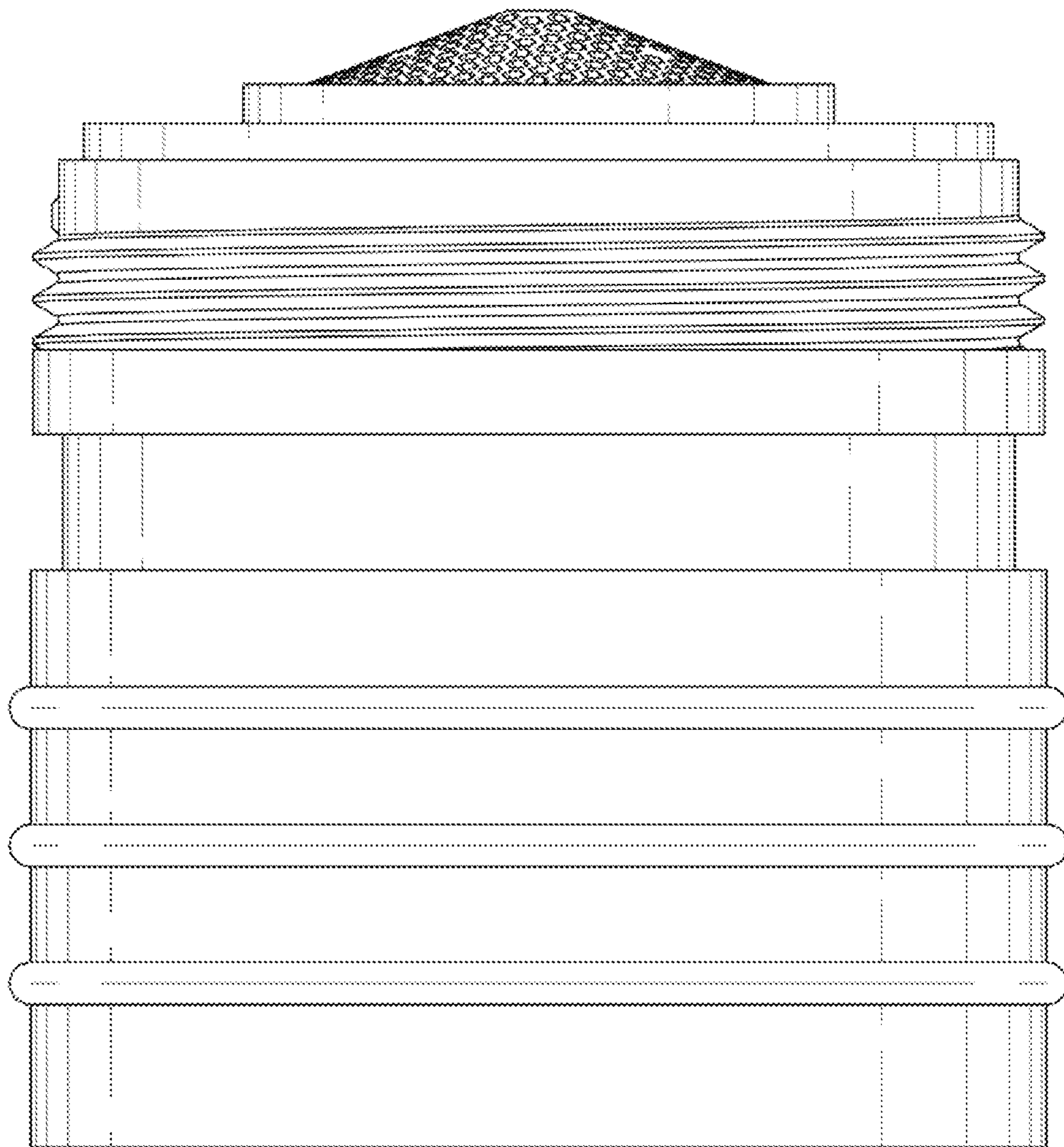
1.6



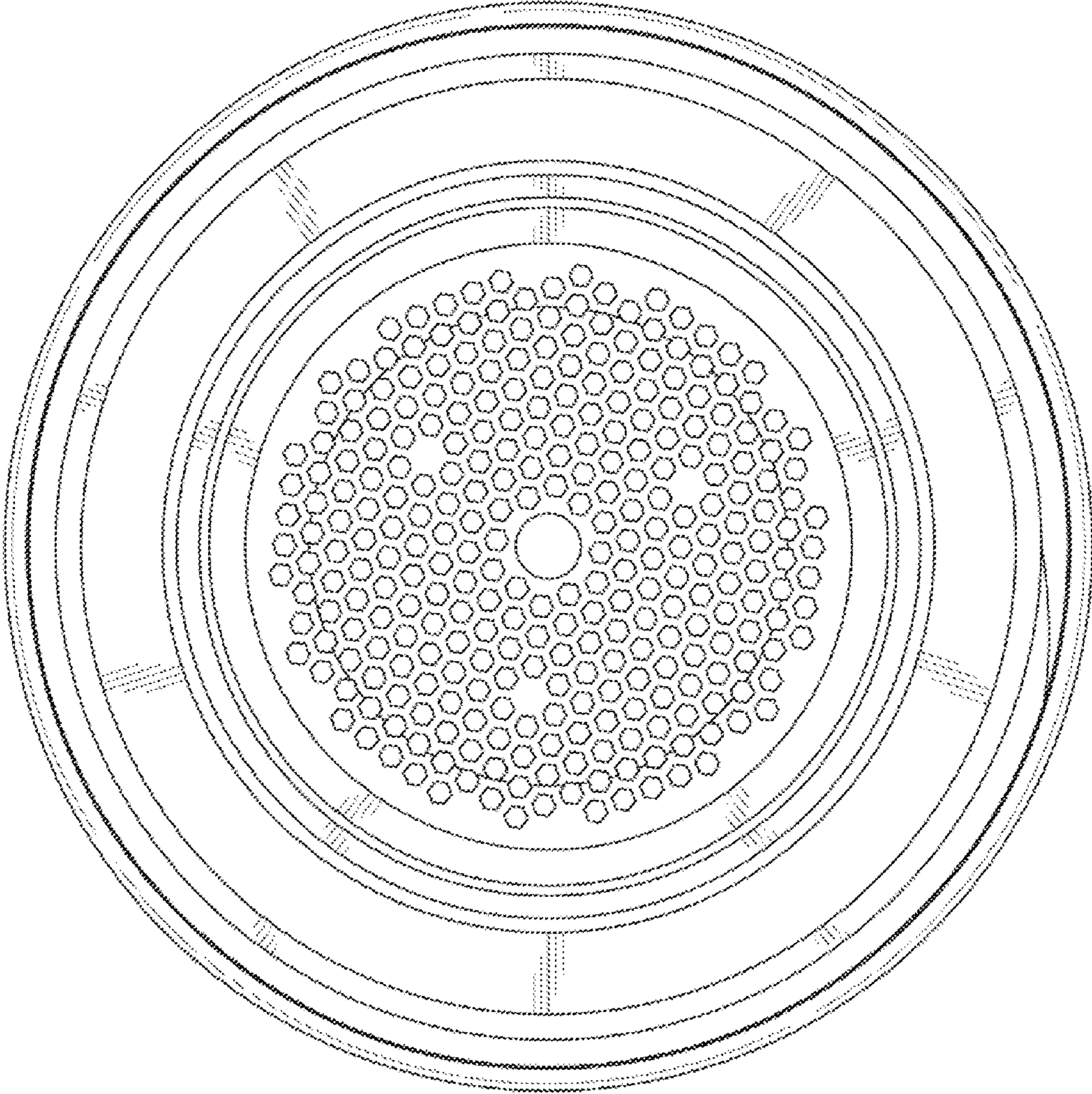
1.7



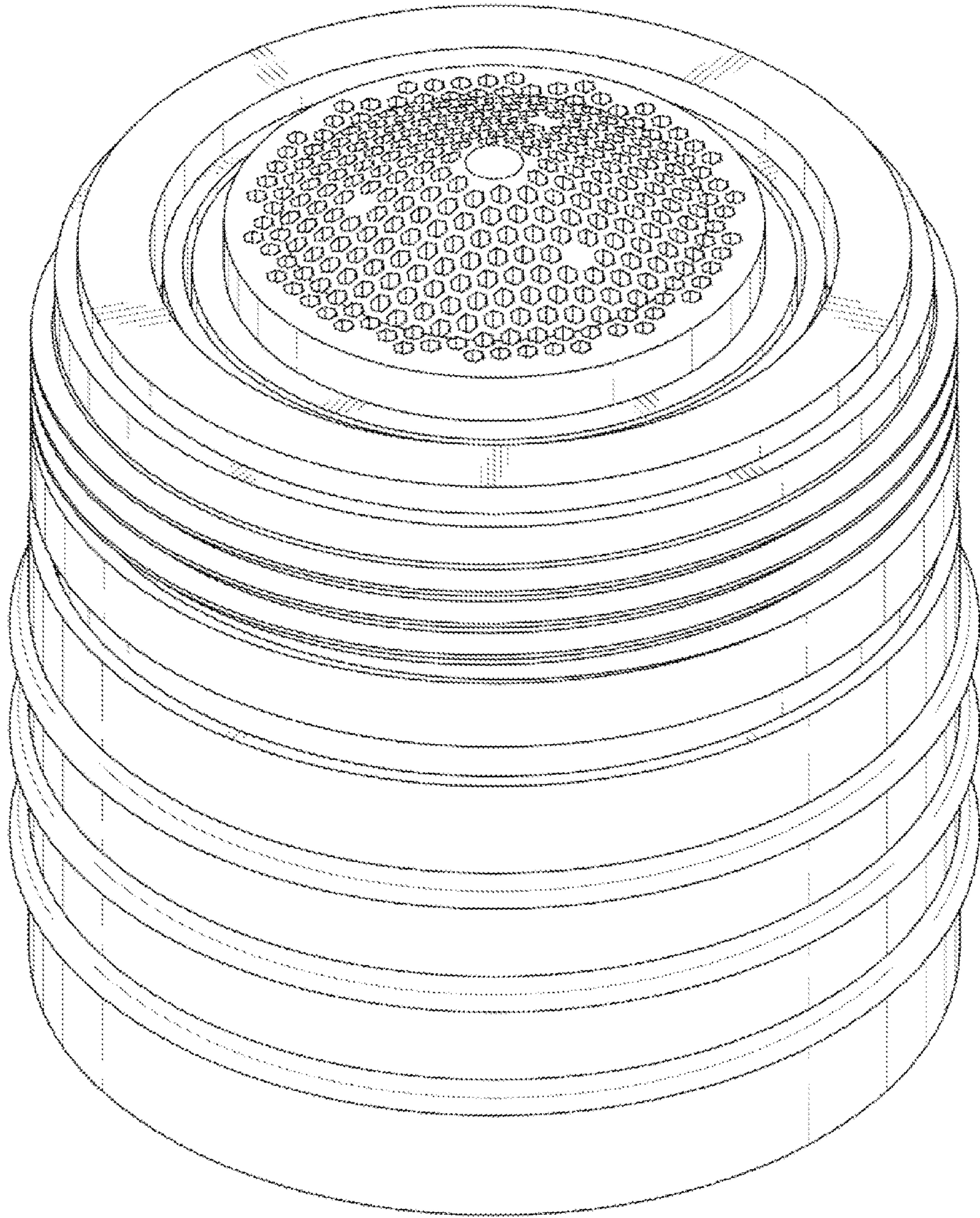
1.8



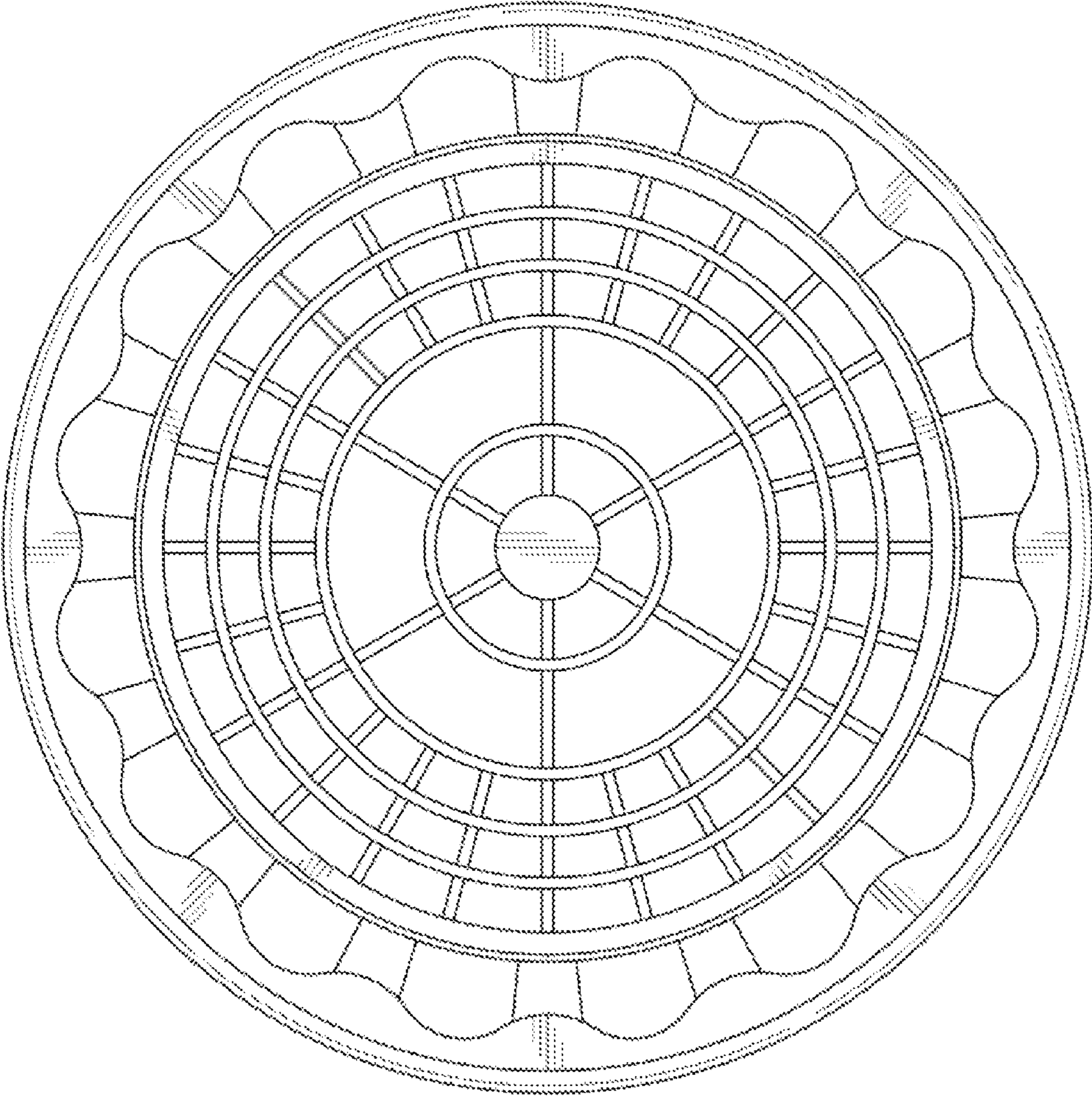
2.1



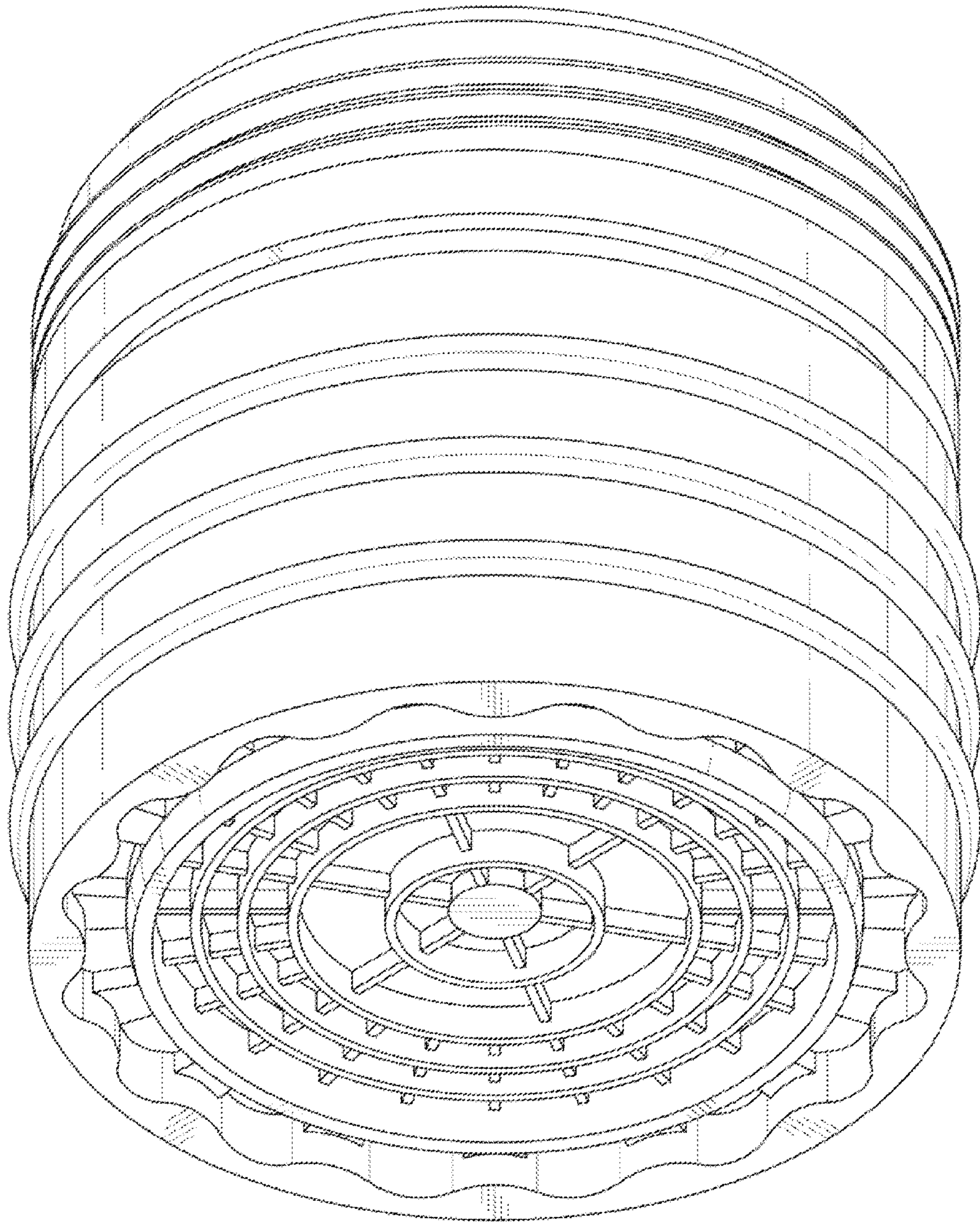
2.2



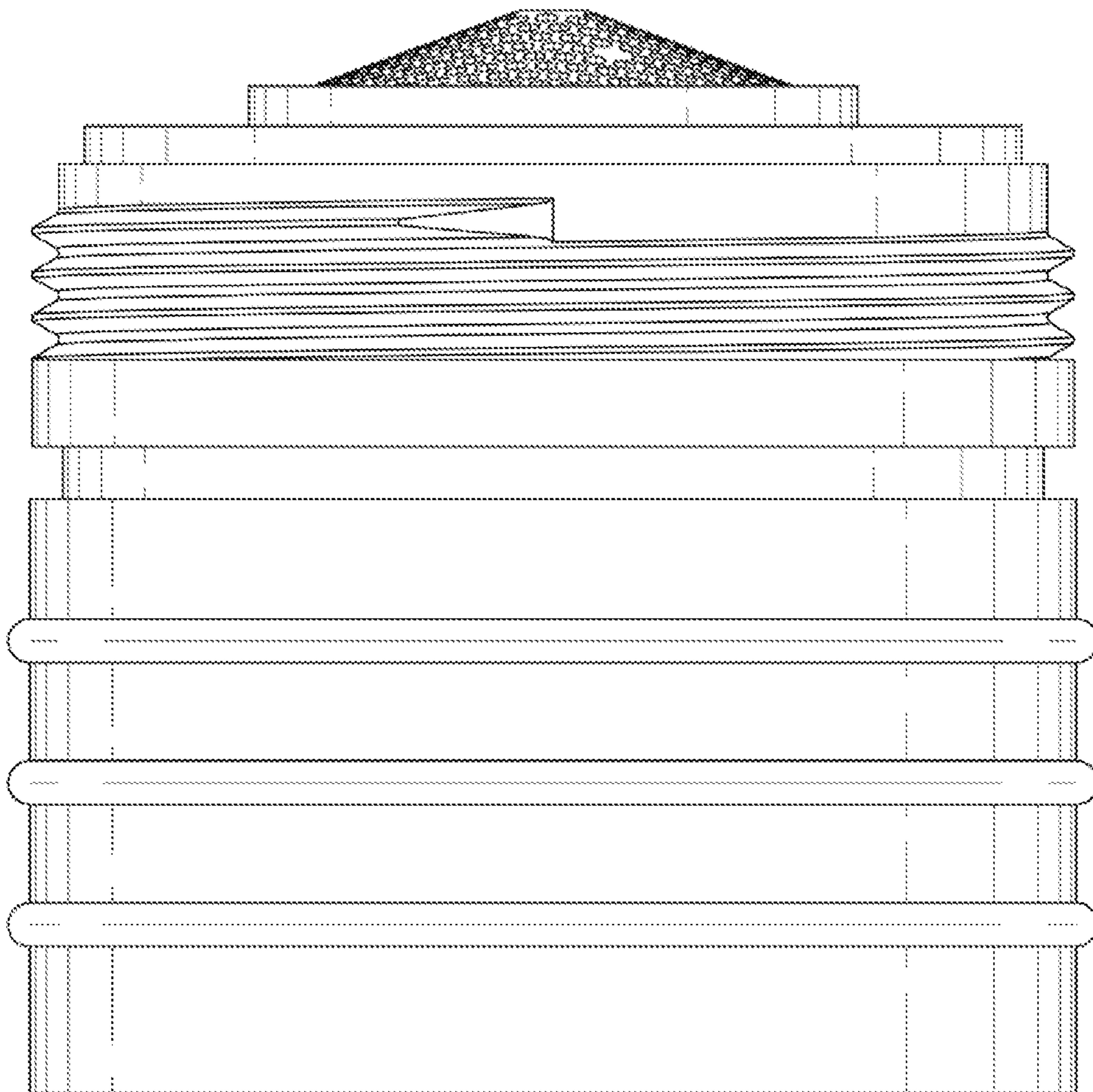
2.3



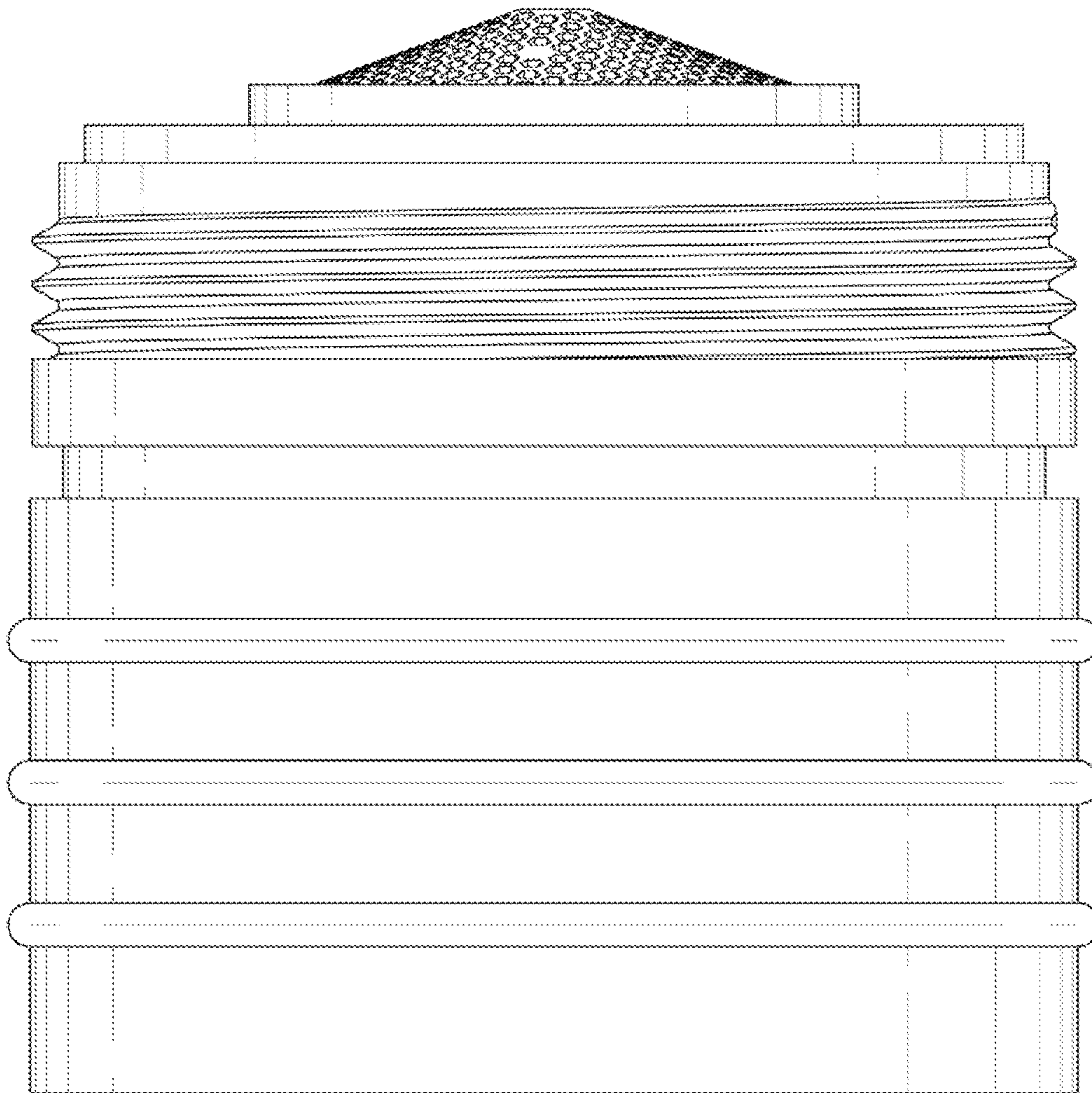
2.4



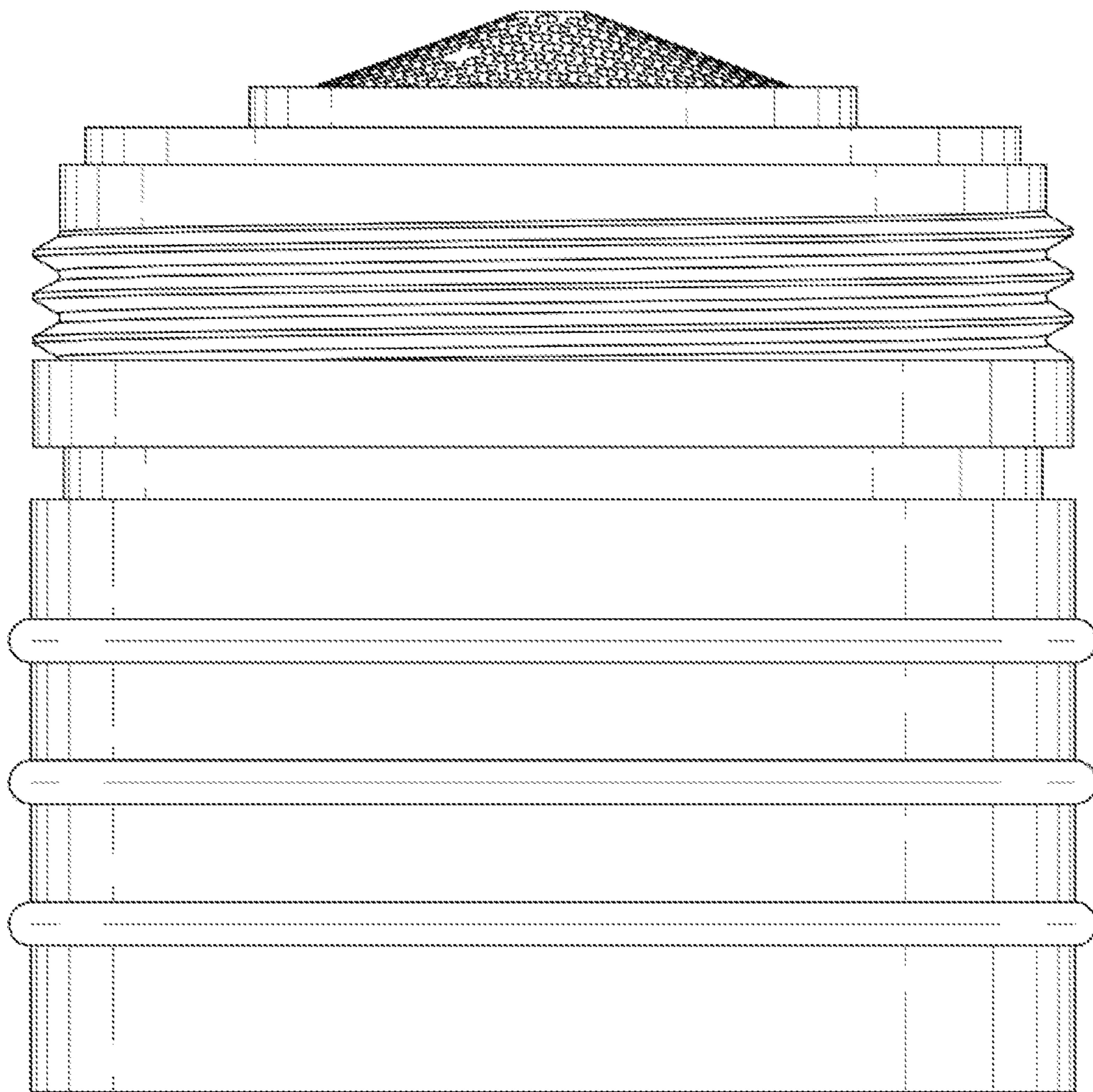
2.5



2.6



2.7



2.8

