



US00D963107S

(12) **United States Design Patent** (10) **Patent No.:** **US D963,107 S**
Rachow (45) **Date of Patent:** **** Sep. 6, 2022**

(54) **DUAL MEDIA NOZZLE**
(71) Applicant: **A. Raymond et Cie**, Grenoble (FR)
(72) Inventor: **Larry Michael Rachow**, Lenox, MI (US)
(73) Assignee: **A. Raymond et Cie**, Grenoble (FR)
(**) Term: **15 Years**
(21) Appl. No.: **29/745,550**
(22) Filed: **Aug. 6, 2020**

D832,396 S * 10/2018 Tabata D23/213
10,328,906 B2 6/2019 Hester et al.
D863,383 S * 10/2019 Wills D15/139
D879,244 S * 3/2020 Park D23/213
D886,249 S * 6/2020 Farley D23/249
D886,945 S * 6/2020 Ohkoshi D23/214
D891,578 S * 7/2020 Stech D23/213
D892,269 S * 8/2020 Koiwa D23/214
D901,624 S * 11/2020 Collings D23/213

(Continued)

FOREIGN PATENT DOCUMENTS

WO 2015157744 A1 10/2015

OTHER PUBLICATIONS

IPOW Solid Brass Body Backyard 2 Way Y Valve Garden Hose Connector Splitter Adapter, Jan. 5, 2018, amazon.ca, Apr. 4, 2022, URL: <https://www.amazon.ca/Ipow-Backyard-Connector-Splitter-Adapter/dp/B011NBXNYO> (Year: 2018).*

(Continued)

Primary Examiner — Keith J Wilson

(74) *Attorney, Agent, or Firm* — Warner Norcross + Judd LLP

(57) **CLAIM**

The ornamental design for a dual media nozzle, as shown and described.

DESCRIPTION

FIG. 1 is a front perspective view of the dual media nozzle; and,

FIG. 2 is a side view thereof.

Features shown in broken lines do not form any part of the claimed design. Any broken lines immediately adjacent the solid-line portions of the design form the boundary of the design. The remaining broken lines represent the dual media nozzle, and form no part of the claimed design.

1 Claim, 2 Drawing Sheets

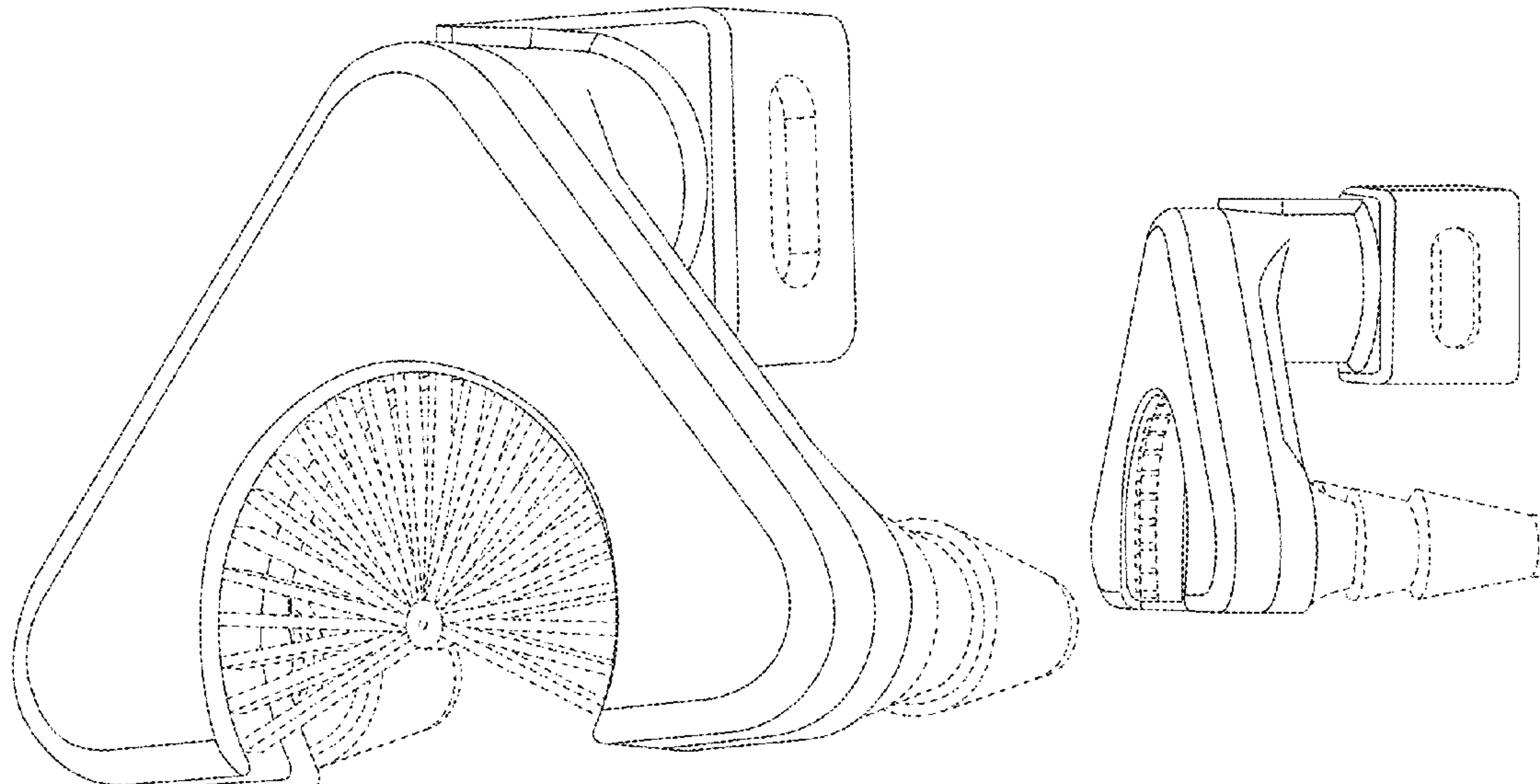
Related U.S. Application Data

(63) Continuation of application No. 16/110,738, filed on Aug. 23, 2018, now Pat. No. 11,298,710.
(51) **LOC (13) Cl.** **23-01**
(52) **U.S. Cl.**
USPC **D23/213**
(58) **Field of Classification Search**
USPC D23/213, 214, 215, 223, 224, 226, 229, D23/230
CPC A61H 9/0021; A61H 33/00; B05B 1/00; B05B 1/14; B05B 1/185; B05B 1/08; B05B 1/02; B05B 1/26; B05B 12/002; B05B 1/18; B05B 9/01
See application file for complete search history.

(56) **References Cited**

U.S. PATENT DOCUMENTS

5,571,562 A 11/1996 Wakat
9,180,840 B2 11/2015 Tanaka et al.
9,278,670 B2 3/2016 Hattori et al.
D781,399 S * 3/2017 Koiwa D23/214
9,625,714 B2 4/2017 Rousseau
9,663,073 B2 5/2017 Tanaka et al.
9,783,167 B2 10/2017 Niemczyk
9,796,361 B2 10/2017 Gokan et al.
D830,122 S * 10/2018 Seiders D7/398



(56)

References Cited

U.S. PATENT DOCUMENTS

D909,533	S *	2/2021	Zhang	D23/213
D910,811	S *	2/2021	Bell	D23/213
D913,418	S *	3/2021	Mather	D23/213
D944,363	S *	2/2022	Currier	D23/226
D944,924	S *	3/2022	McDonnell	D23/226
D946,709	S *	3/2022	Roehl	D23/226
D947,320	S *	3/2022	Rigolio	D23/226
D947,991	S *	4/2022	Yang	D23/226
D950,680	S *	5/2022	Lai	D23/226
2013/0068852	A1	3/2013	Wurz et al.	
2016/0103316	A1	4/2016	Rousseau	
2017/0225660	A1	8/2017	Trebouet et al.	
2017/0313286	A1	11/2017	Galera et al.	
2018/0086316	A1	3/2018	Trebouet et al.	
2019/0100171	A1	4/2019	Ina et al.	
2019/0116296	A1	4/2019	Romack et al.	
2019/0202410	A1	7/2019	Zhao et al.	
2019/0232315	A1	8/2019	Ehteshami et al.	
2019/0232923	A1	8/2019	Tokunaka	
2019/0270433	A1	9/2019	Hester	
2019/0283715	A1	9/2019	Sakai	
2019/0314865	A1	10/2019	Sevak et al.	
2019/0381975	A1	12/2019	Caillot et al.	
2020/0061643	A1 *	2/2020	Rachow	B60S 1/56

OTHER PUBLICATIONS

Fluval Flex/EVOXII/Spec XV Nozzle Set, Feb. 1, 2018, amazon.ca, Jun. 22, 2022, URL: <https://www.amazon.ca/Fluval-FLEX-EVOXII-Spec-Nozzle/dp/B073212Y72/> (Year: 2018).*

Carb Carburetors Fuel Tap Switch Carb On Off, Jul. 23, 2019, amazon.ca, Jun. 22, 2022, URL: <https://www.amazon.ca/dp/B07VHCQR1K/> (Year: 2019).*

* cited by examiner

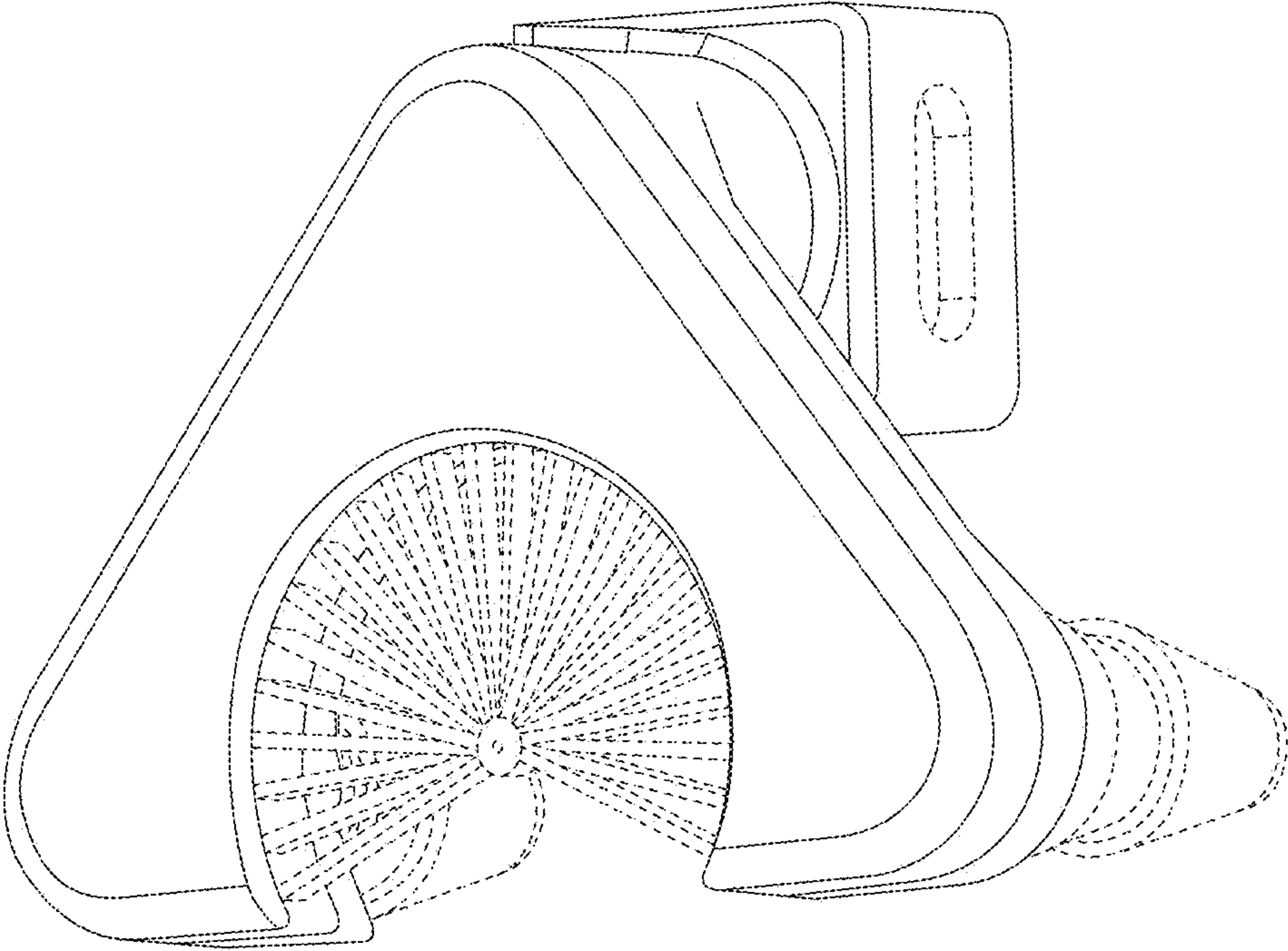


FIG. 1

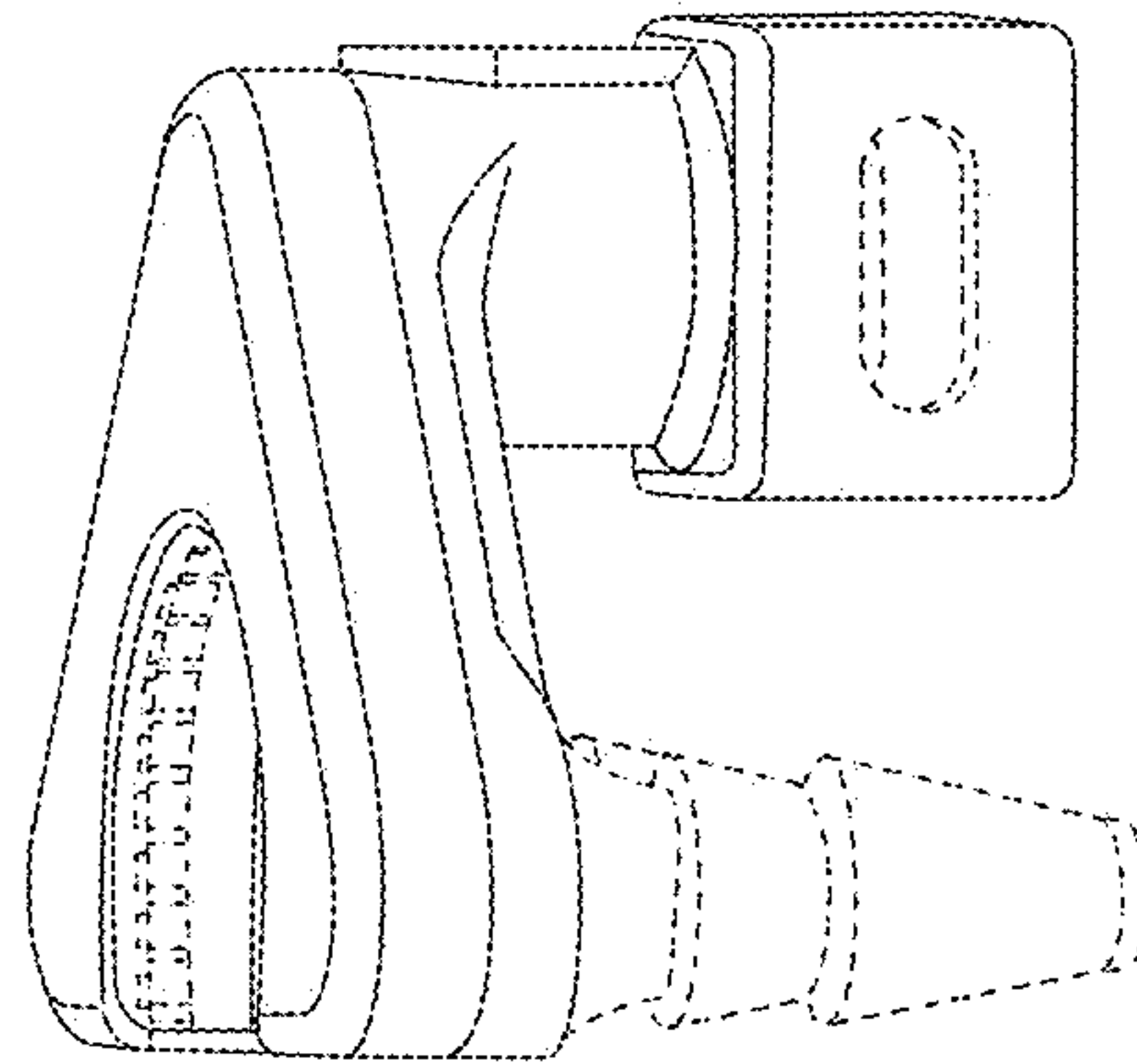


FIG. 2