



US00D963105S

(12) **United States Design Patent** (10) **Patent No.:** **US D963,105 S**
Phelps (45) **Date of Patent:** **** Sep. 6, 2022**

(54) **LURE STORAGE CONTAINER**

- (71) Applicant: **Preston Phelps**, Leonard, MI (US)
- (72) Inventor: **Preston Phelps**, Leonard, MI (US)
- (**) Term: **15 Years**
- (21) Appl. No.: **29/747,926**
- (22) Filed: **Aug. 26, 2020**
- (51) **LOC (13) Cl.** **22-05**
- (52) **U.S. Cl.**
USPC **D22/136**
- (58) **Field of Classification Search**
USPC D22/134, 136, 121, 125; D3/260
CPC A01K 87/00; A01K 97/06; A01K 97/08;
Y10S 224/92
See application file for complete search history.

(56) **References Cited**

U.S. PATENT DOCUMENTS

3,897,650	A *	8/1975	Pilston	A01K 97/06 224/679
4,383,385	A *	5/1983	Myers	A01K 97/06 229/5.5
4,681,220	A *	7/1987	Beneke	A01K 97/06 206/315.11
4,920,683	A	5/1990	Weber		
6,023,876	A	2/2000	Haddad et al.		
D438,931	S *	3/2001	Gomez	D22/136
D447,212	S	8/2001	Herring		
D475,432	S	6/2003	LaLande		
7,299,582	B1	11/2007	Whitehead		
D595,805	S *	7/2009	Itamura	D22/136
7,587,855	B2	9/2009	Konopa		
7,703,234	B2	4/2010	Dodge		
D709,589	S	7/2014	Zebny		
D782,606	S *	3/2017	Keeble	D22/136
10,165,768	B2	1/2019	Montoya		
D846,692	S *	4/2019	Bryan	D22/139
2004/0250462	A1	12/2004	Trebil		
2007/0220801	A1 *	9/2007	Clawson	A01K 97/06 43/57.1
2008/0244957	A1 *	10/2008	Rathsack	A01K 97/06 43/57.1
2022/0104473	A1 *	4/2022	Moffett	A01K 97/06

OTHER PUBLICATIONS

https://www.amazon.com/ZIBARBER-Disinfectant-Disinfecting-Manicure-Implements/product-reviews/B096RGJ5XC/ref=cm_cr_ar_p_d_paging_btm_next_2?ie=UTF8&reviewerType=all_reviews&pageNumber=2 (Year: 2021).*

https://www.amazon.com/Earrings-Organizer-Rotatable-Necklaces-Bracelets/dp/B08VMV1PCC/ref=sr_1_83?crid=MQZQCCVT855H&keywords=transparent+circular+lure+storage+container&qid=1650374180&srefix=transparent+circular+lure+storage+container%2Caps%2C64&sr=8-83 (Year: 2021).*

* cited by examiner

Primary Examiner — Catherine R Oliver-Garcia

(57) **CLAIM**

The ornamental design for a lure storage container, as shown and described.

DESCRIPTION

FIG. 1 is a front view of a lure storage container showing my new design;

FIG. 2 is a rear view of the lure storage container;

FIG. 3 is a right side view of the lure storage container;

FIG. 4 is a left side view of the lure storage container;

FIG. 5 is a top view of the lure storage container;

FIG. 6 is a bottom view of the lure storage container;

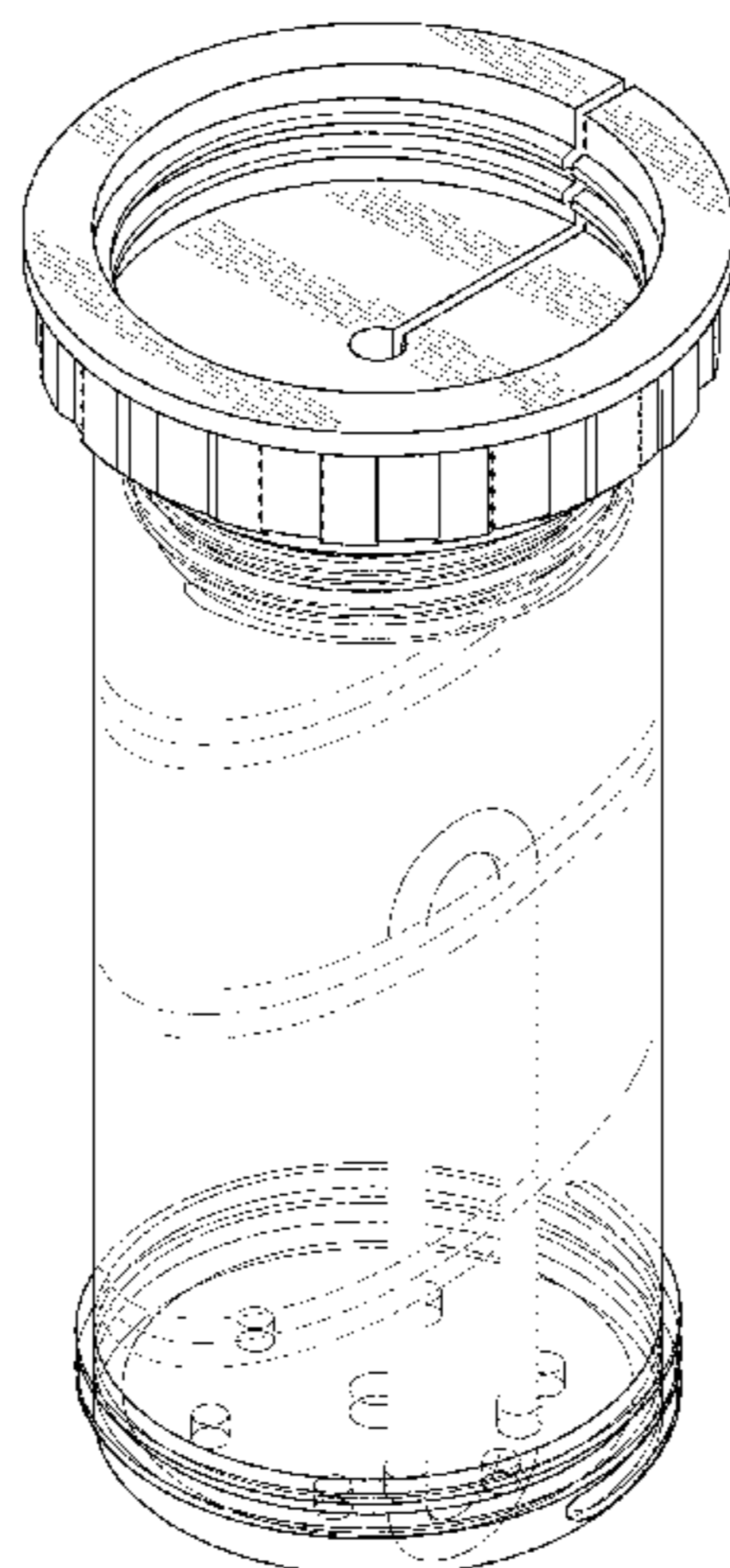
FIG. 7 is a top front side perspective view of the lure storage container in use; and,

FIG. 8 is a top rear side perspective view of the lure storage container in use.

The broken lines in FIG. 8 are illustrative of environmental structure forming no part of the claimed design.

The broken line showing of portions of a fishing rod, reel and lure are included for the purpose of illustrating environment only and form no part of the claimed design.

1 Claim, 8 Drawing Sheets



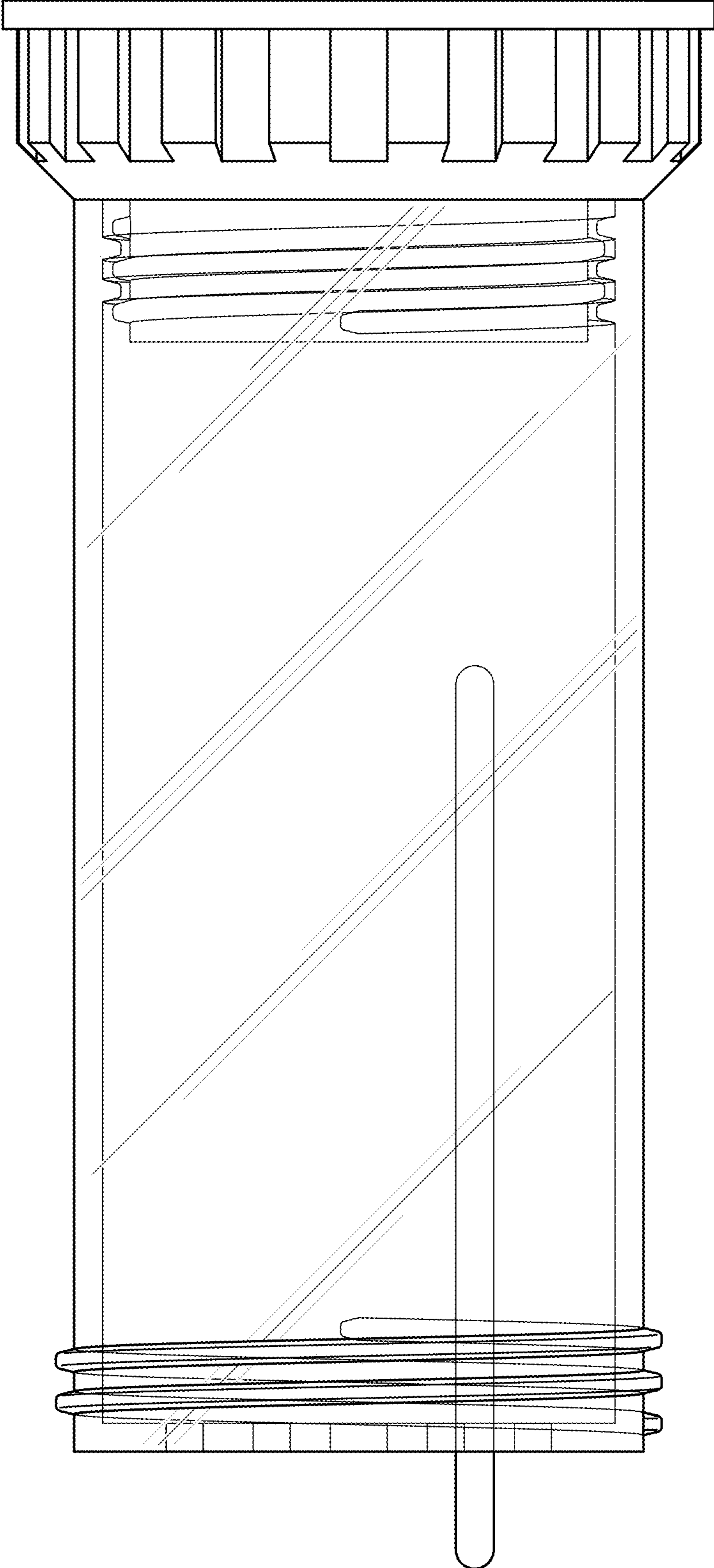


FIG. 1

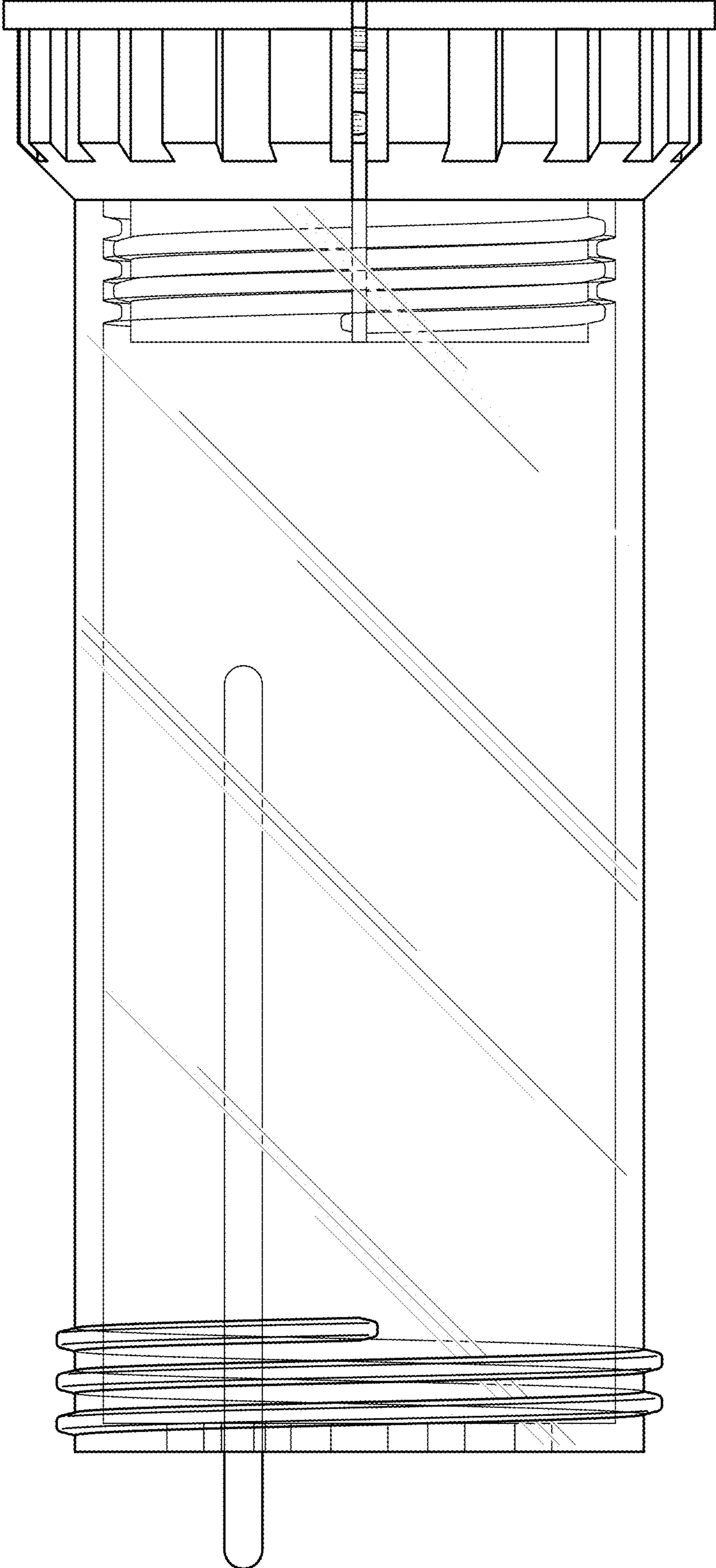


FIG. 2

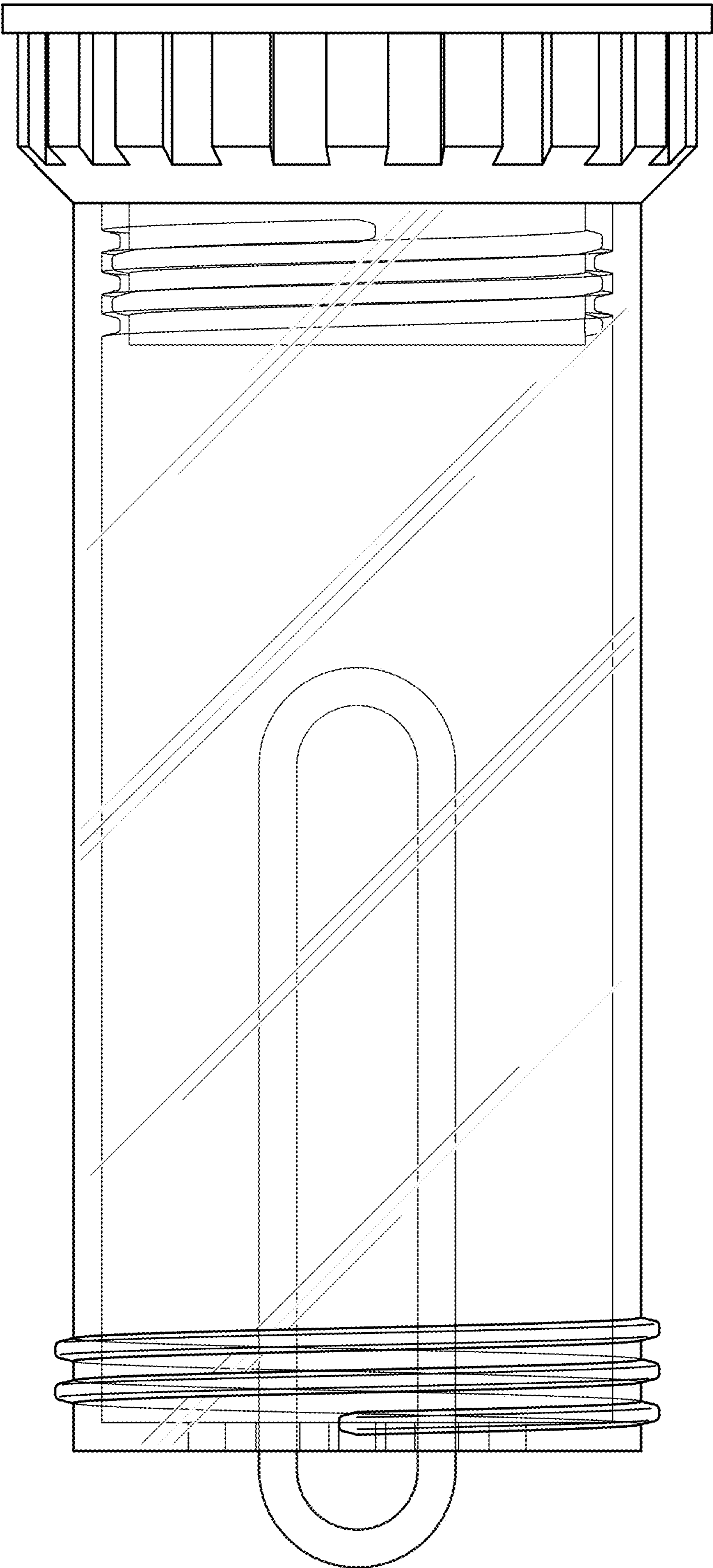


FIG. 3

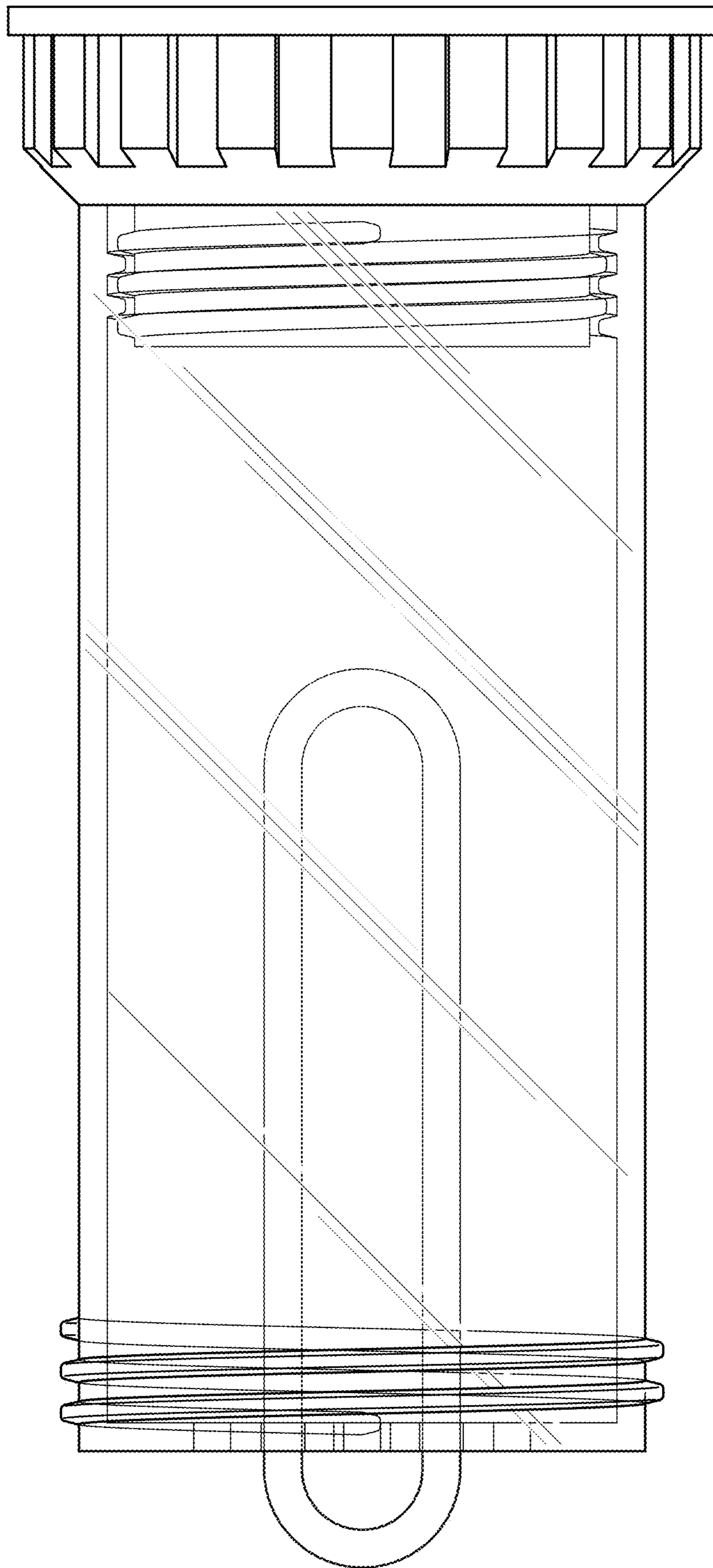


FIG. 4

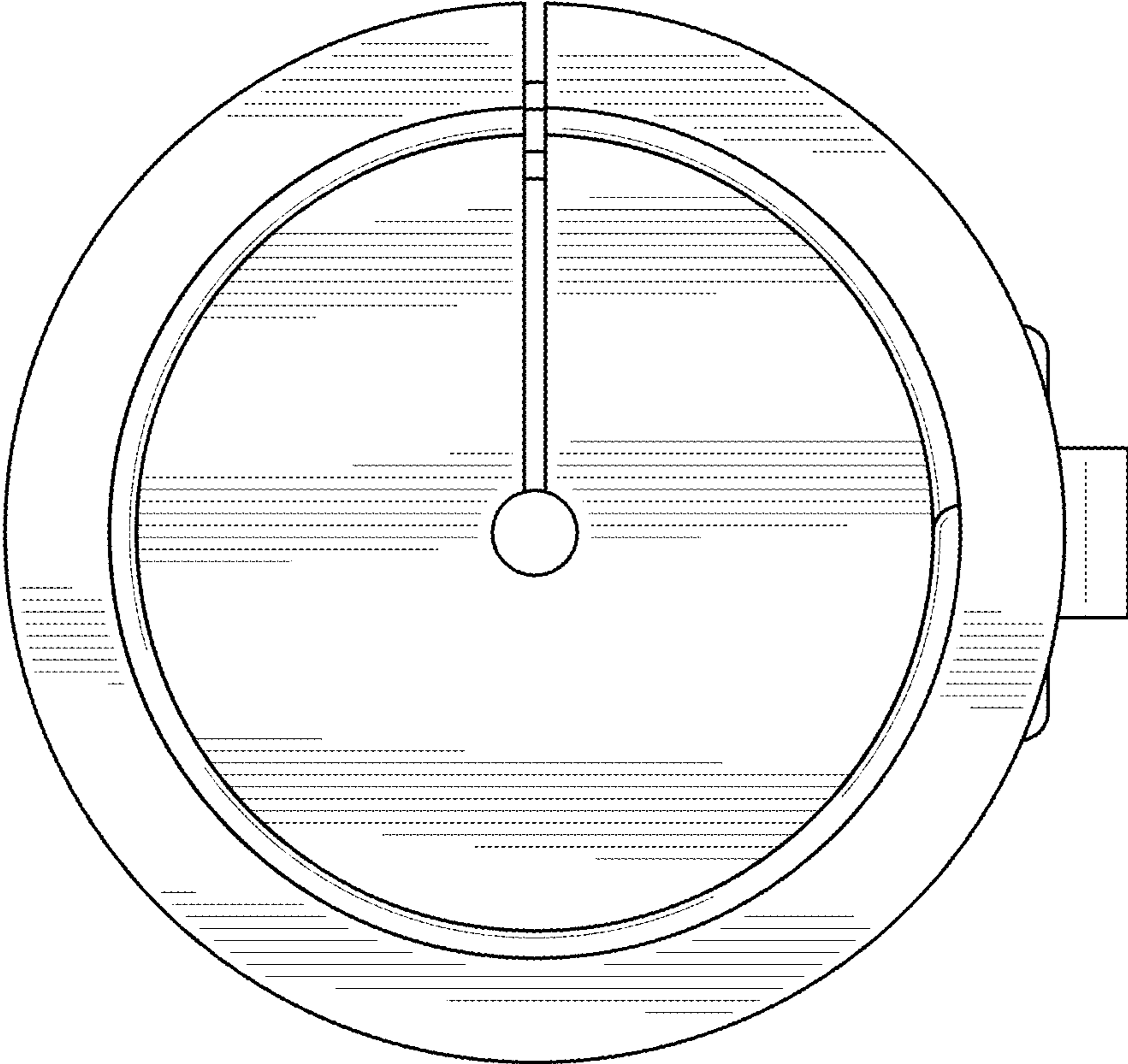


FIG. 5

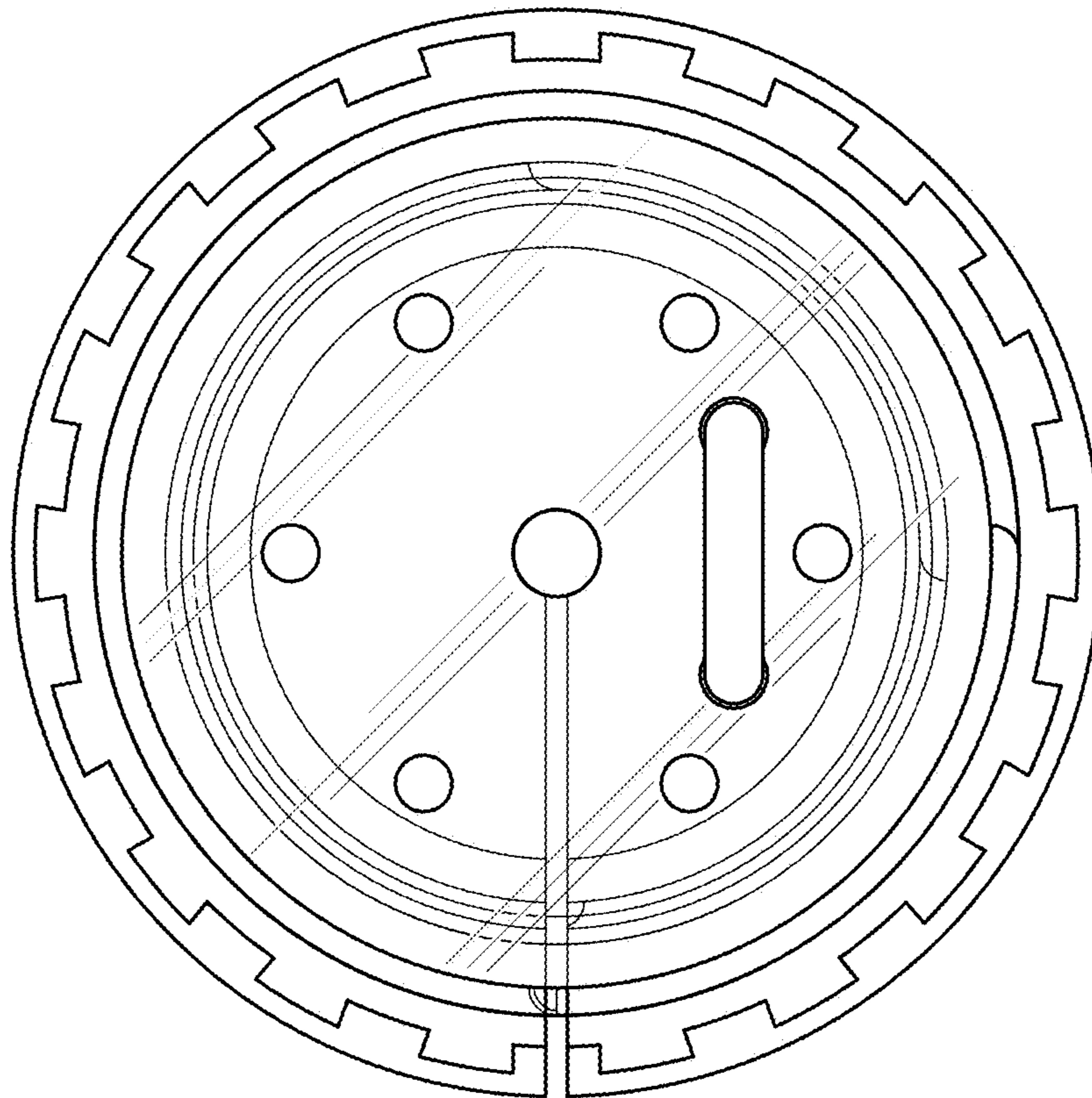


FIG. 6

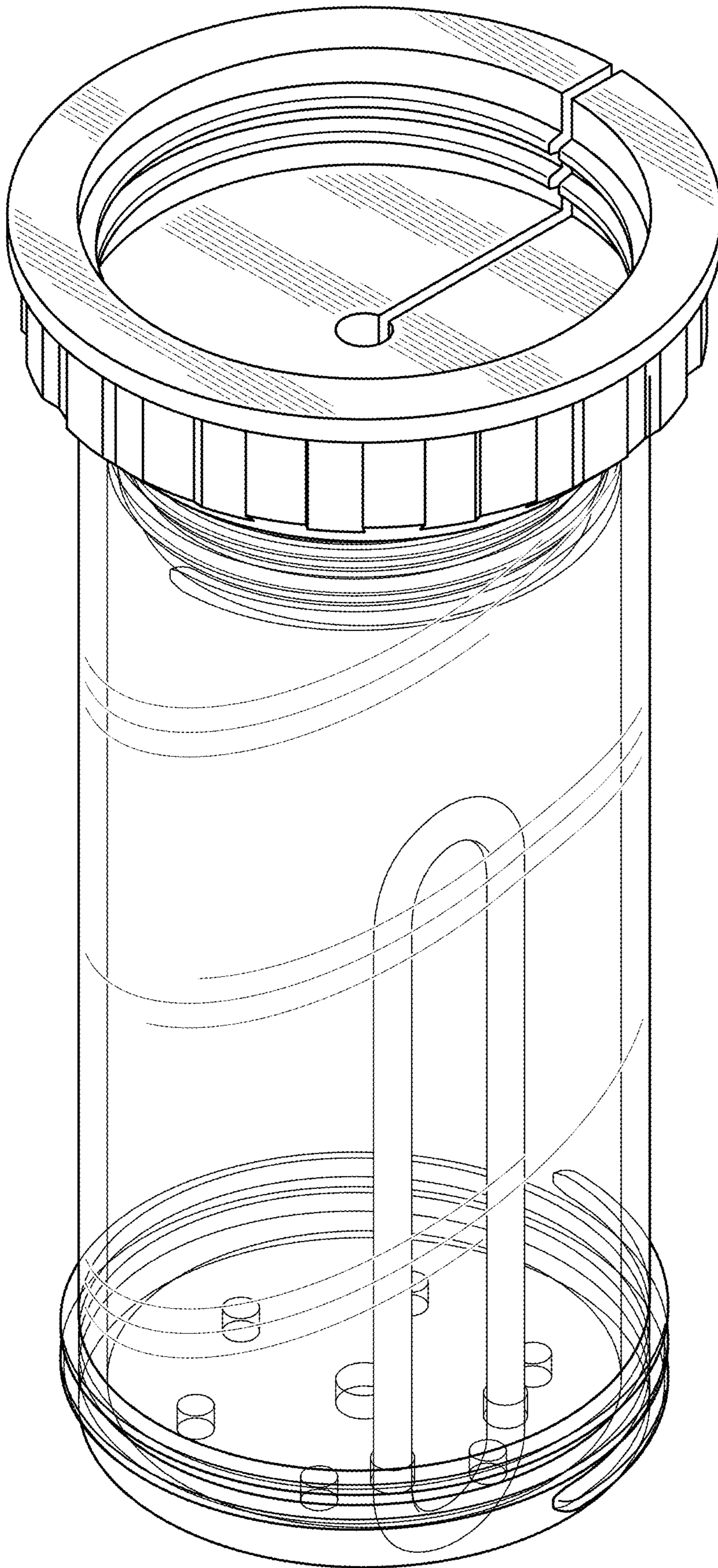


FIG. 7

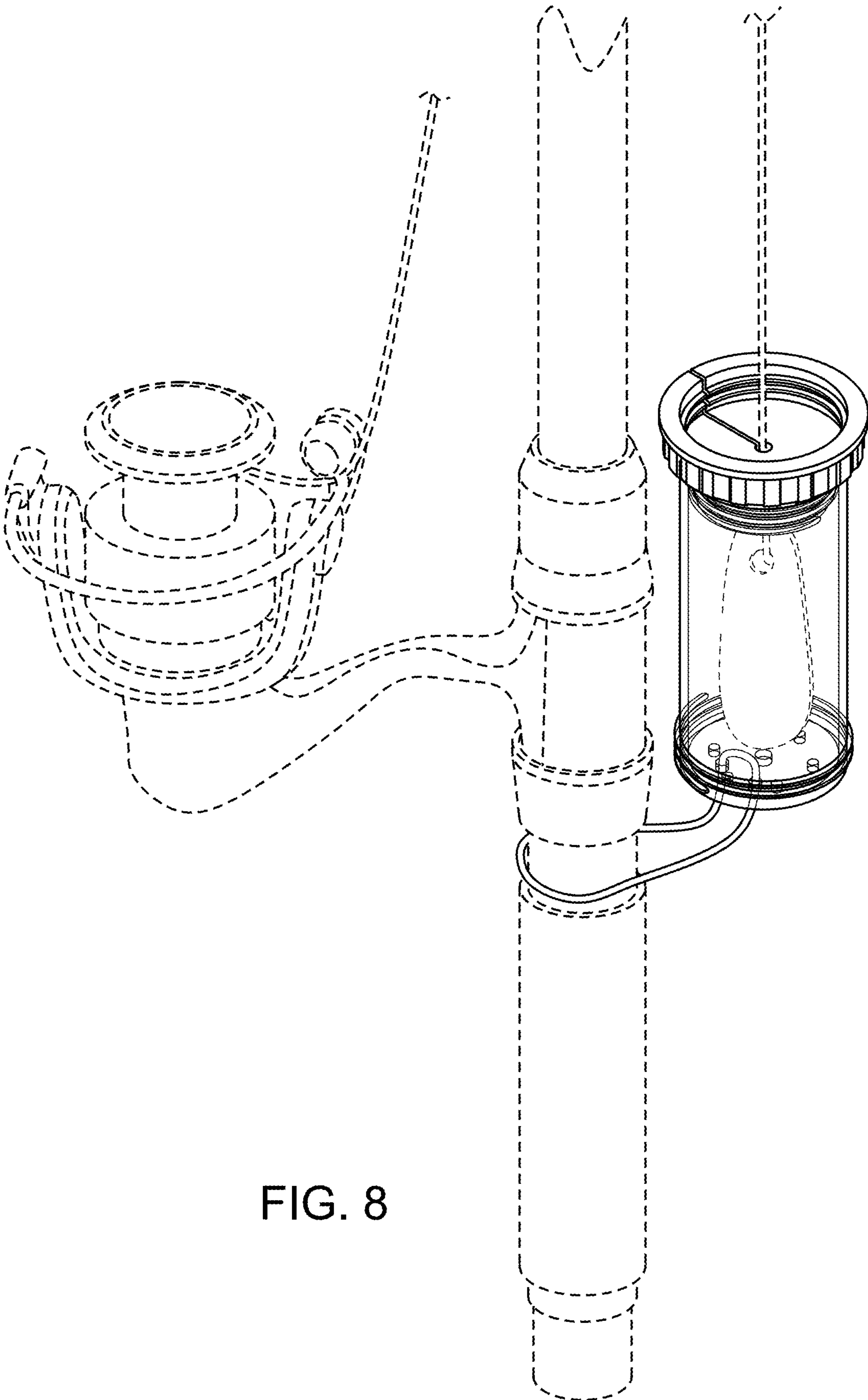


FIG. 8