



US00D963104S

(12) **United States Design Patent** (10) **Patent No.:** **US D963,104 S**  
**Gao** (45) **Date of Patent:** **\*\* Sep. 6, 2022**

(54) **INSECT TRAP**  
(71) Applicant: **Si Gao**, Shenzhen (CN)  
(72) Inventor: **Si Gao**, Shenzhen (CN)  
(\*\*) Term: **15 Years**  
(21) Appl. No.: **29/790,703**  
(22) Filed: **Dec. 10, 2021**  
(51) **LOC (13) Cl.** ..... **22-06**  
(52) **U.S. Cl.**  
USPC ..... **D22/122; D23/366**  
(58) **Field of Classification Search**  
USPC ..... D22/122-123; D23/366-369  
CPC ..... A01M 1/02; A01M 1/04; A01M 1/104;  
A01M 1/106; A01M 1/108; A01M 1/223;  
A01M 2200/01; A01M 2200/012; A61L  
9/03  
See application file for complete search history.

D888,187 S 6/2020 Zhang et al.  
D919,786 S \* 5/2021 Lee ..... D23/366  
D953,476 S \* 5/2022 Yuan ..... D22/122  
D953,511 S \* 5/2022 Xu ..... D23/366  
D954,929 S \* 6/2022 Lee ..... D23/366

\* cited by examiner

*Primary Examiner* — Catherine R Oliver-Garcia  
(74) *Attorney, Agent, or Firm* — Zhihua Han; Wen IP  
LLC

(57) **CLAIM**

The ornamental design for an insect trap, as shown and described.

**DESCRIPTION**

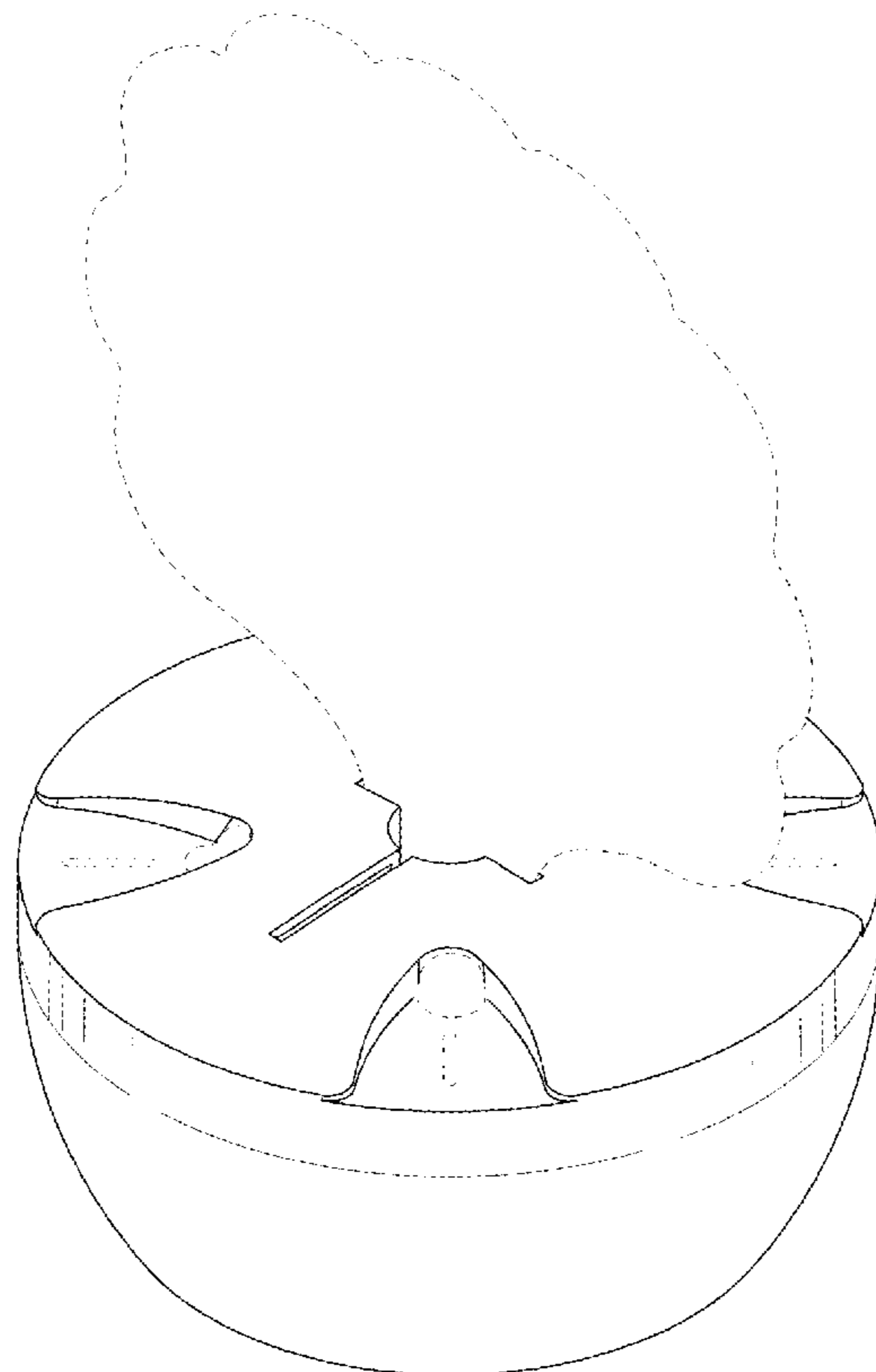
FIG. 1 is a first perspective view of an insect trap showing my new design;  
FIG. 2 is a second perspective view thereof;  
FIG. 3 is a front view thereof;  
FIG. 4 is a back view thereof;  
FIG. 5 is a left side view thereof;  
FIG. 6 is a right side view thereof;  
FIG. 7 is a top view thereof;  
FIG. 8 is a bottom view thereof; and,  
FIG. 9 is an exploded view of the insect trap thereof.  
The broken lines shown in the drawings depict portions of the insect trap in which the design is embodied that form no part of the claimed design.

(56) **References Cited**

U.S. PATENT DOCUMENTS

D433,091 S \* 10/2000 Carey ..... D22/122  
D590,041 S \* 4/2009 Schneidmiller ..... D22/122  
D744,060 S \* 11/2015 Mackay ..... D22/122  
D759,191 S \* 6/2016 De Sousa Francisco .... D22/122  
D786,389 S \* 5/2017 Zemel ..... D22/122  
D814,603 S 4/2018 Yu et al.  
D826,367 S 8/2018 Yu et al.  
D837,335 S \* 1/2019 DiMeo ..... D22/122  
D861,847 S \* 10/2019 Li ..... D23/366

**1 Claim, 9 Drawing Sheets**



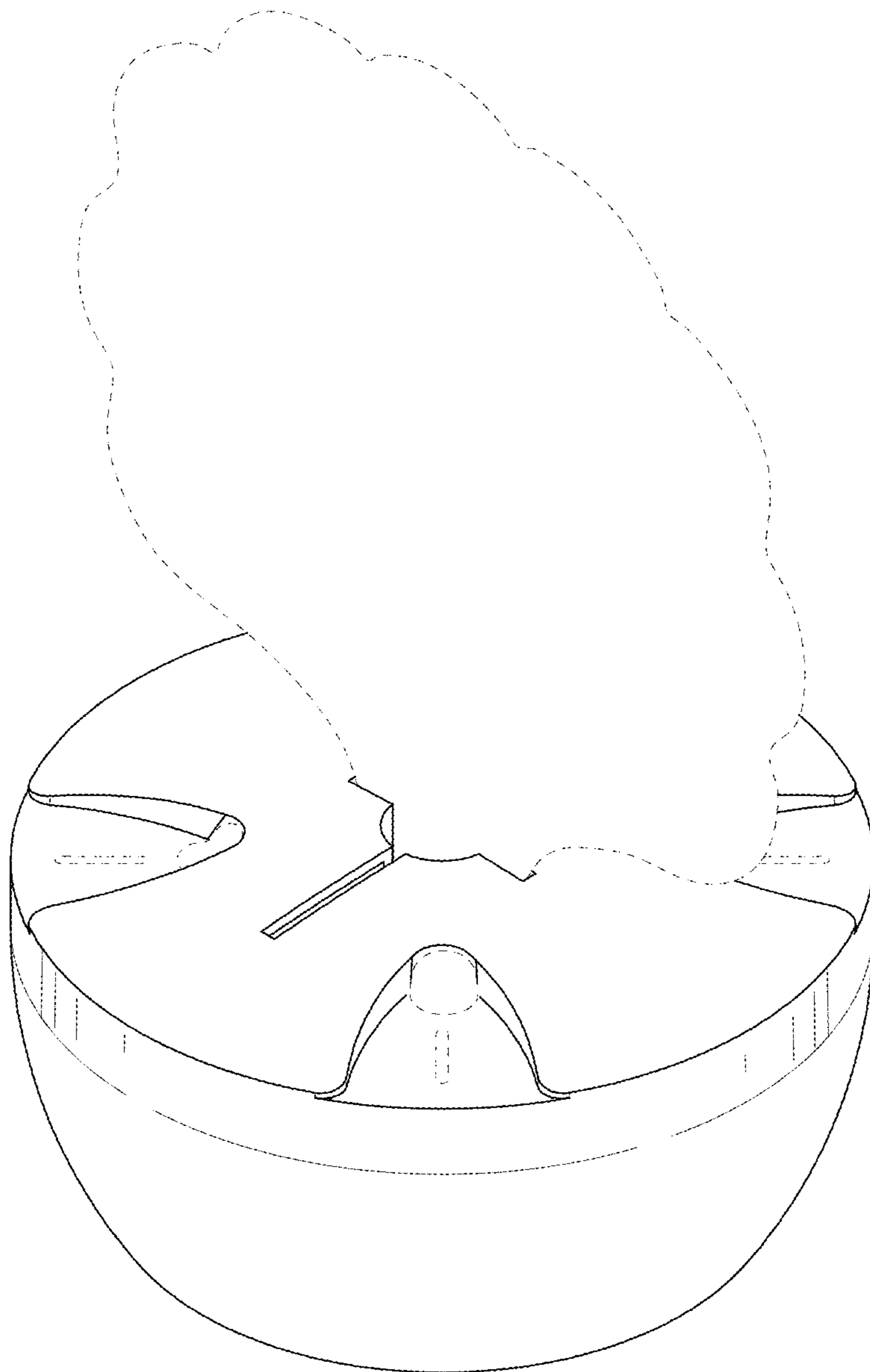


FIG. 1

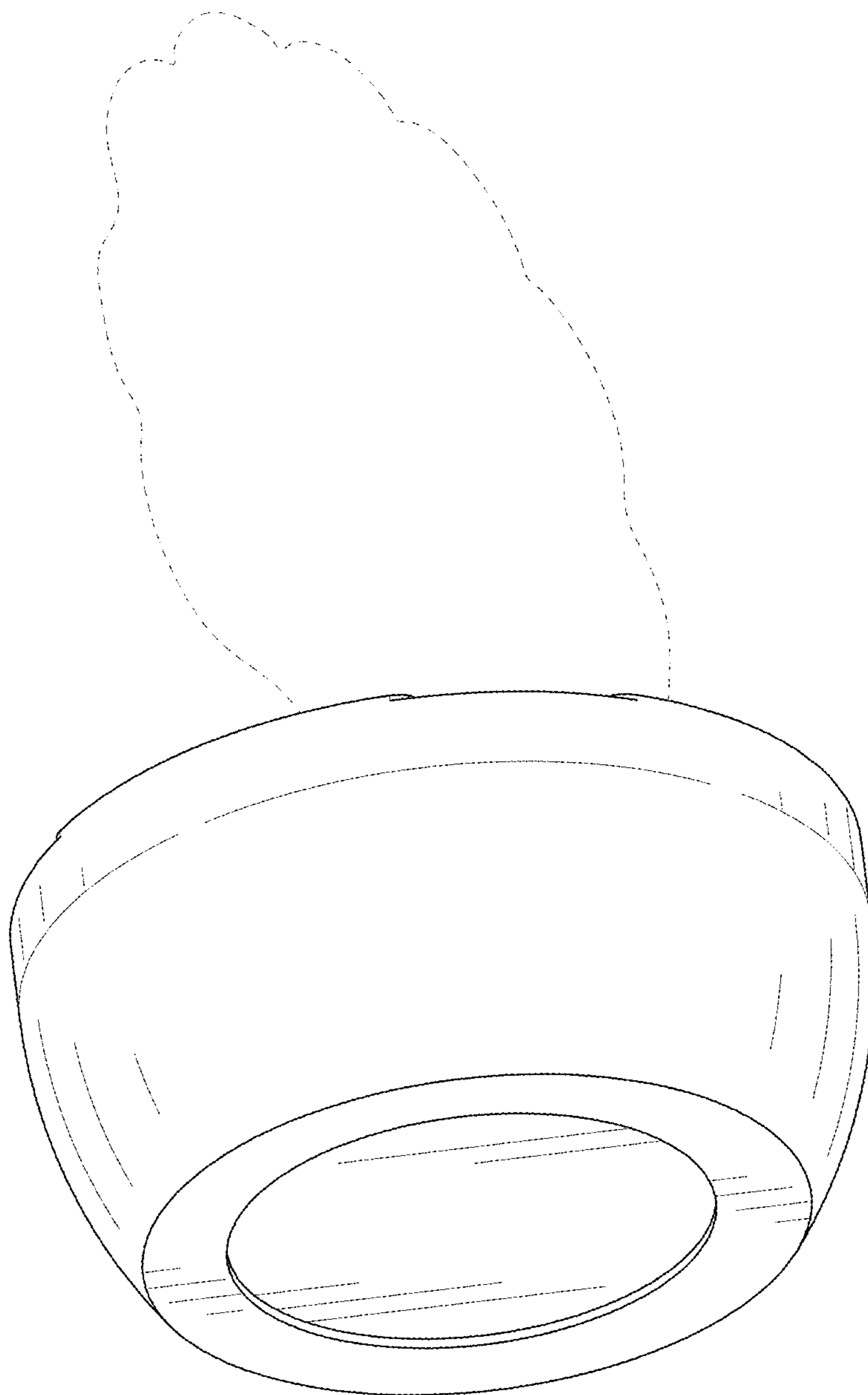


FIG. 2

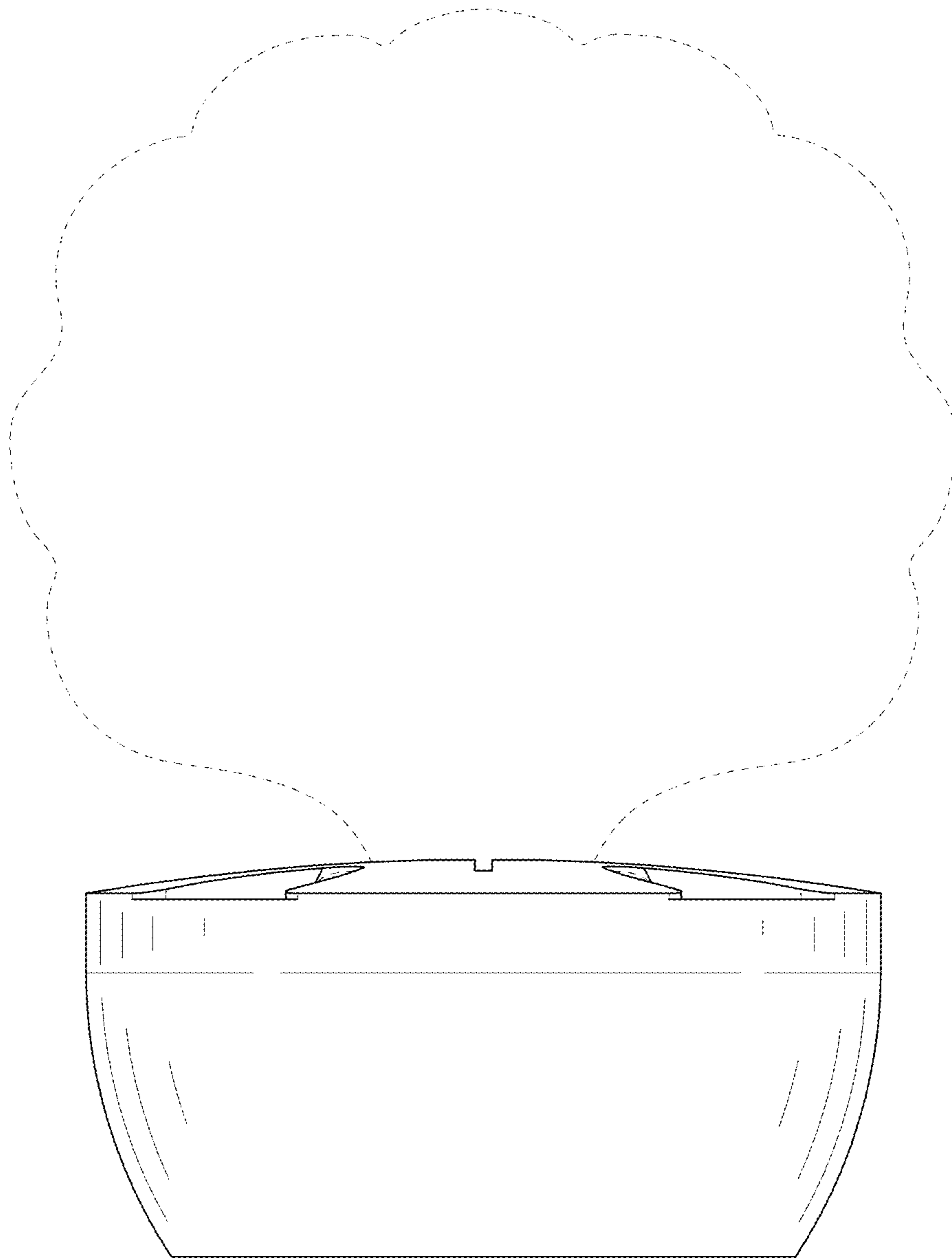


FIG. 3

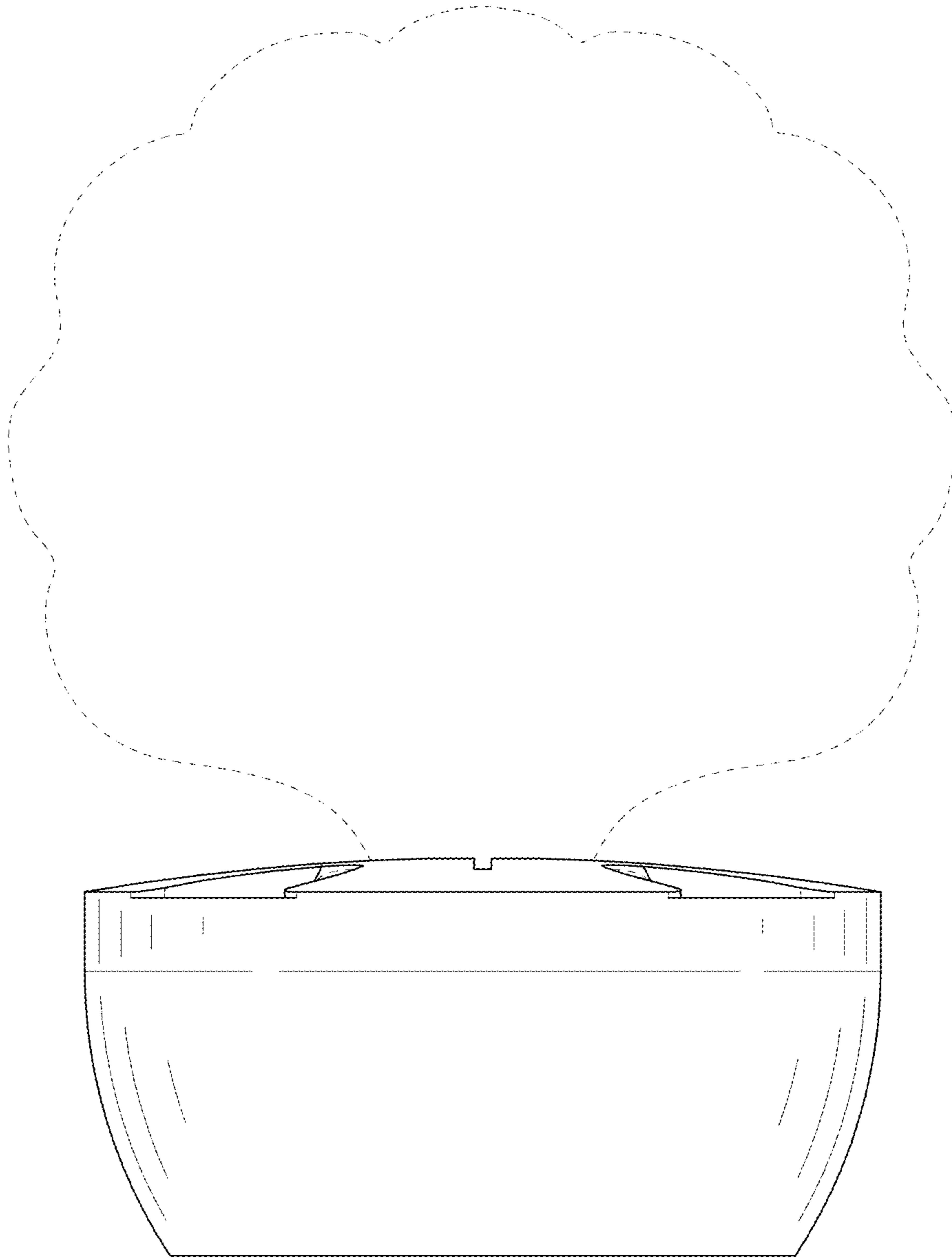


FIG. 4

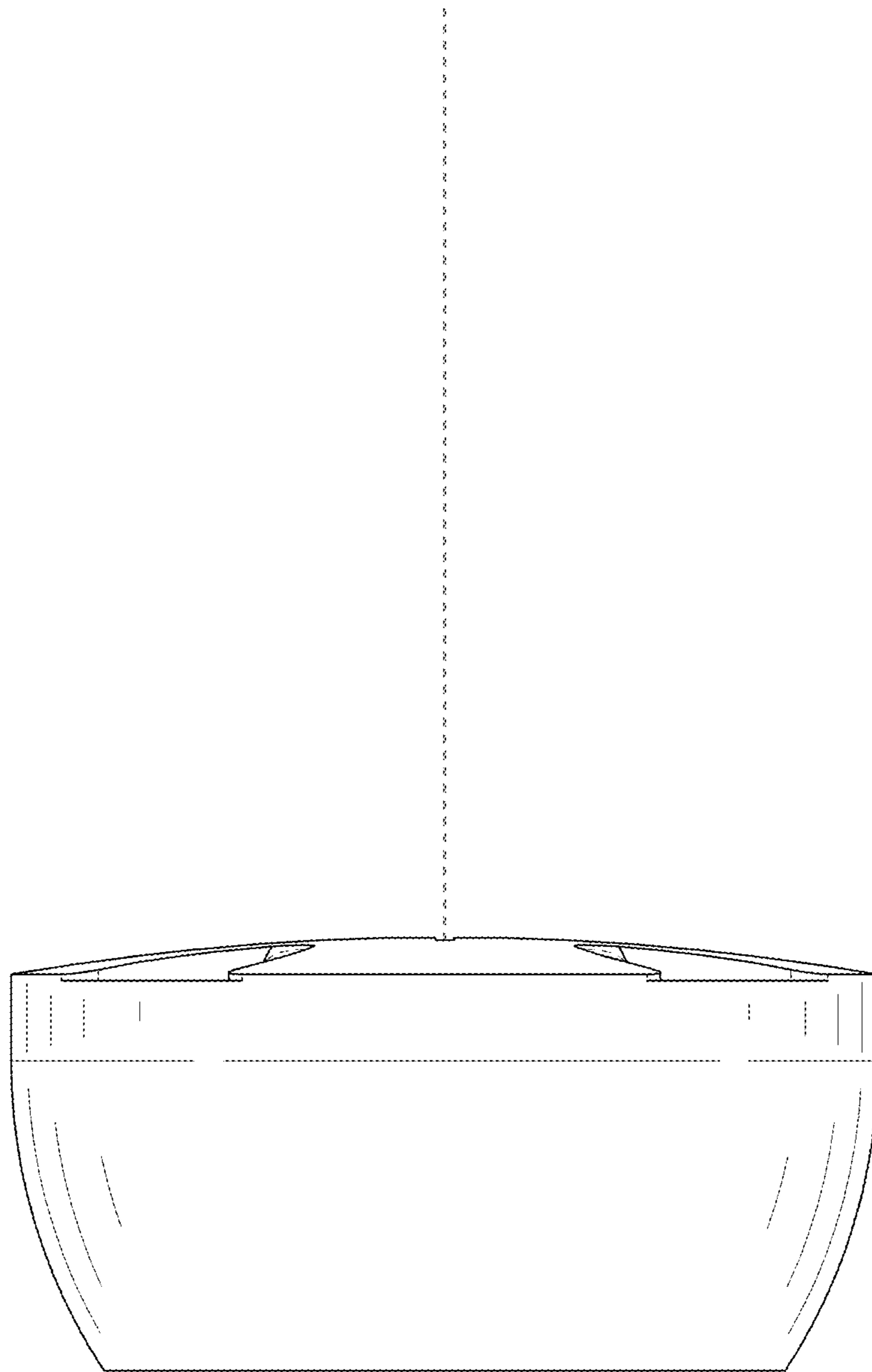


FIG. 5

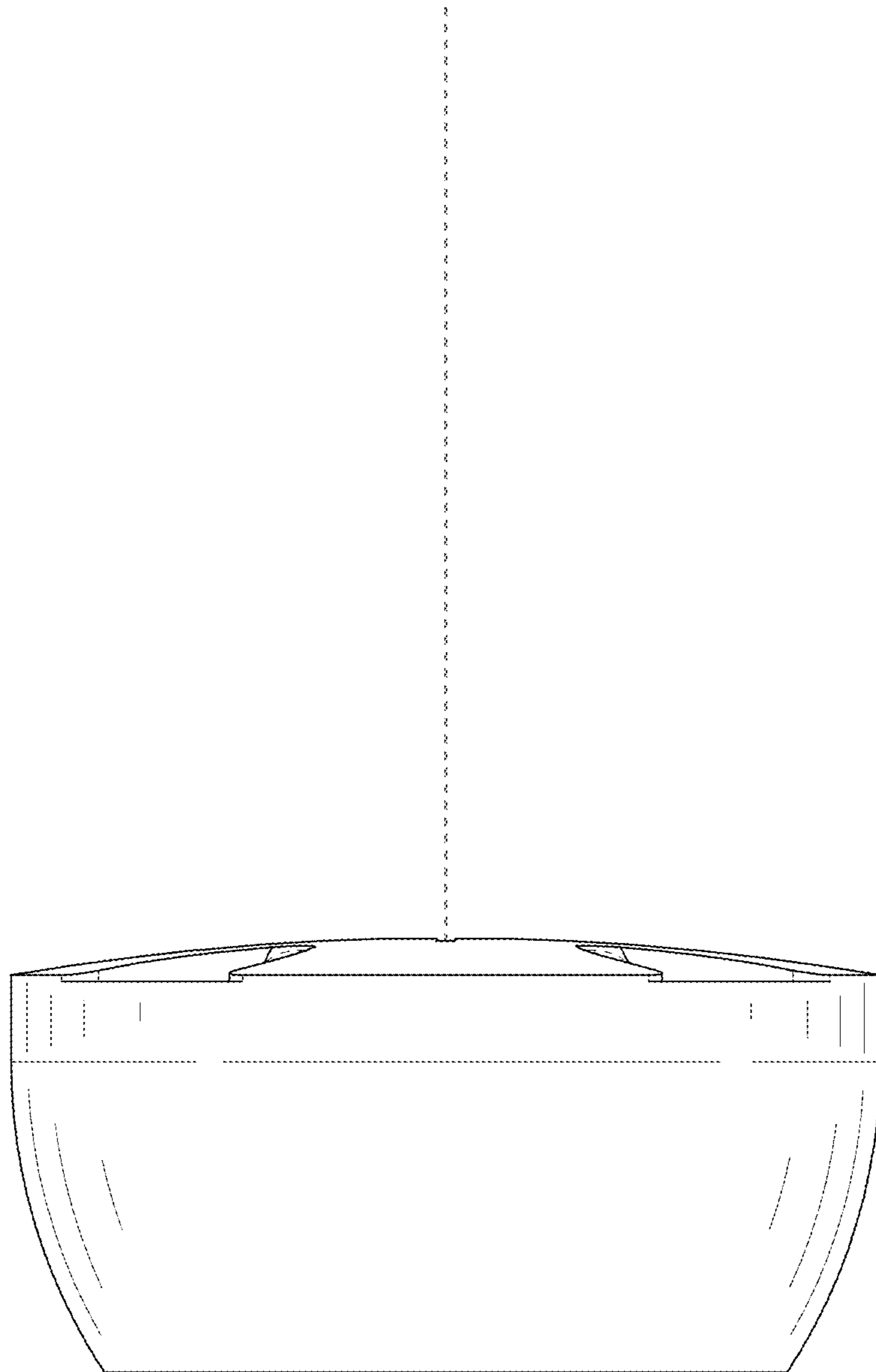


FIG. 6

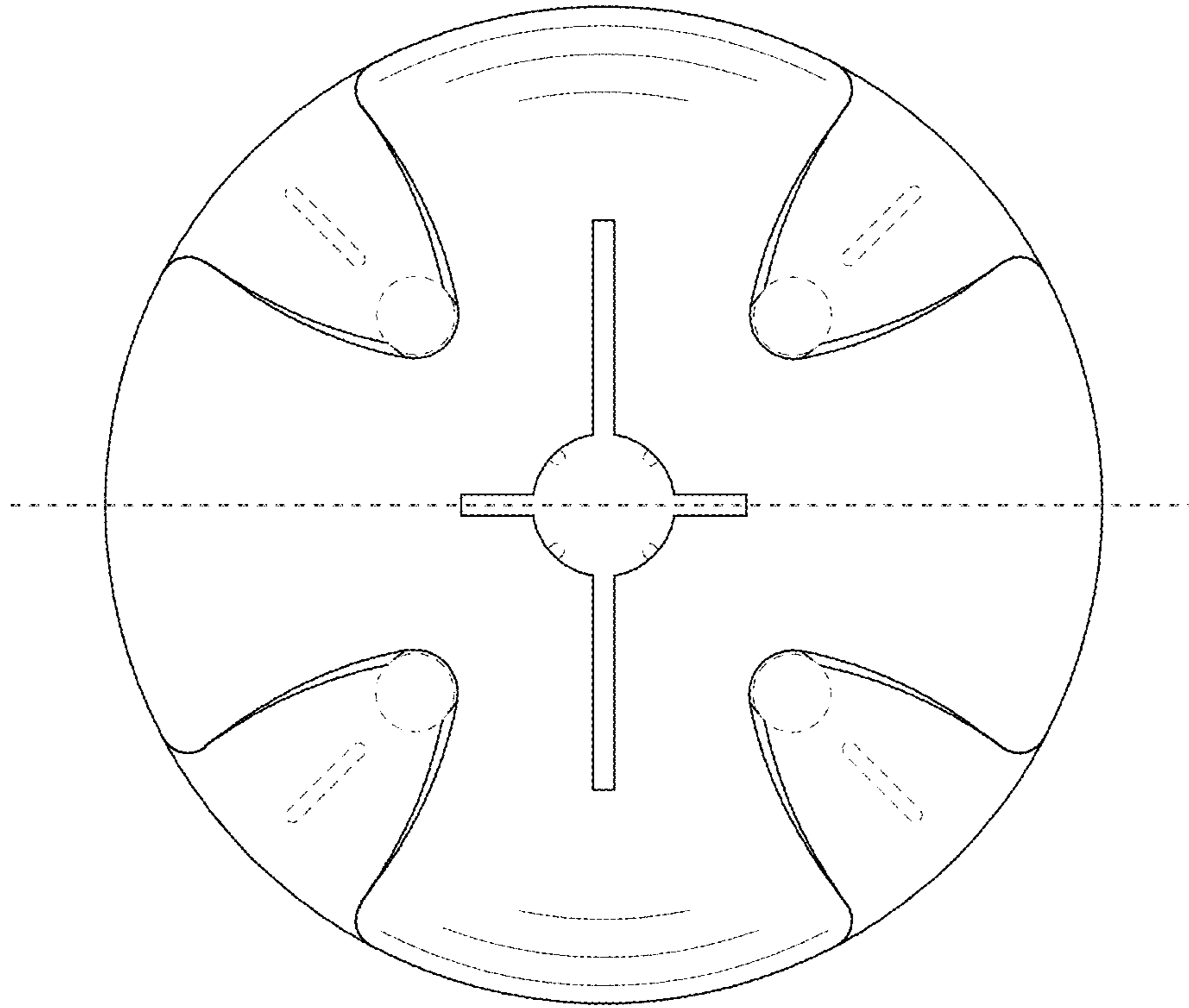


FIG. 7



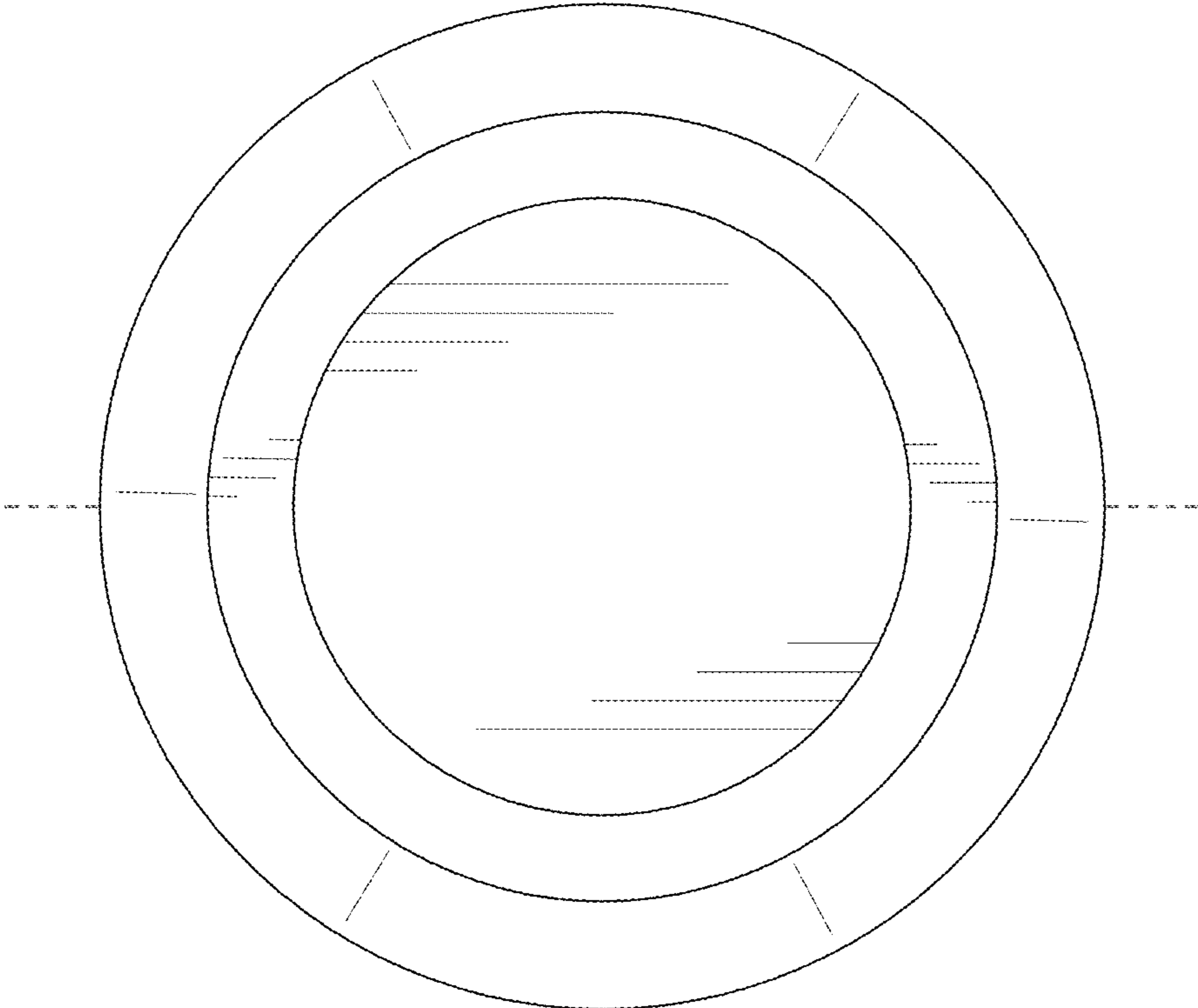


FIG. 8

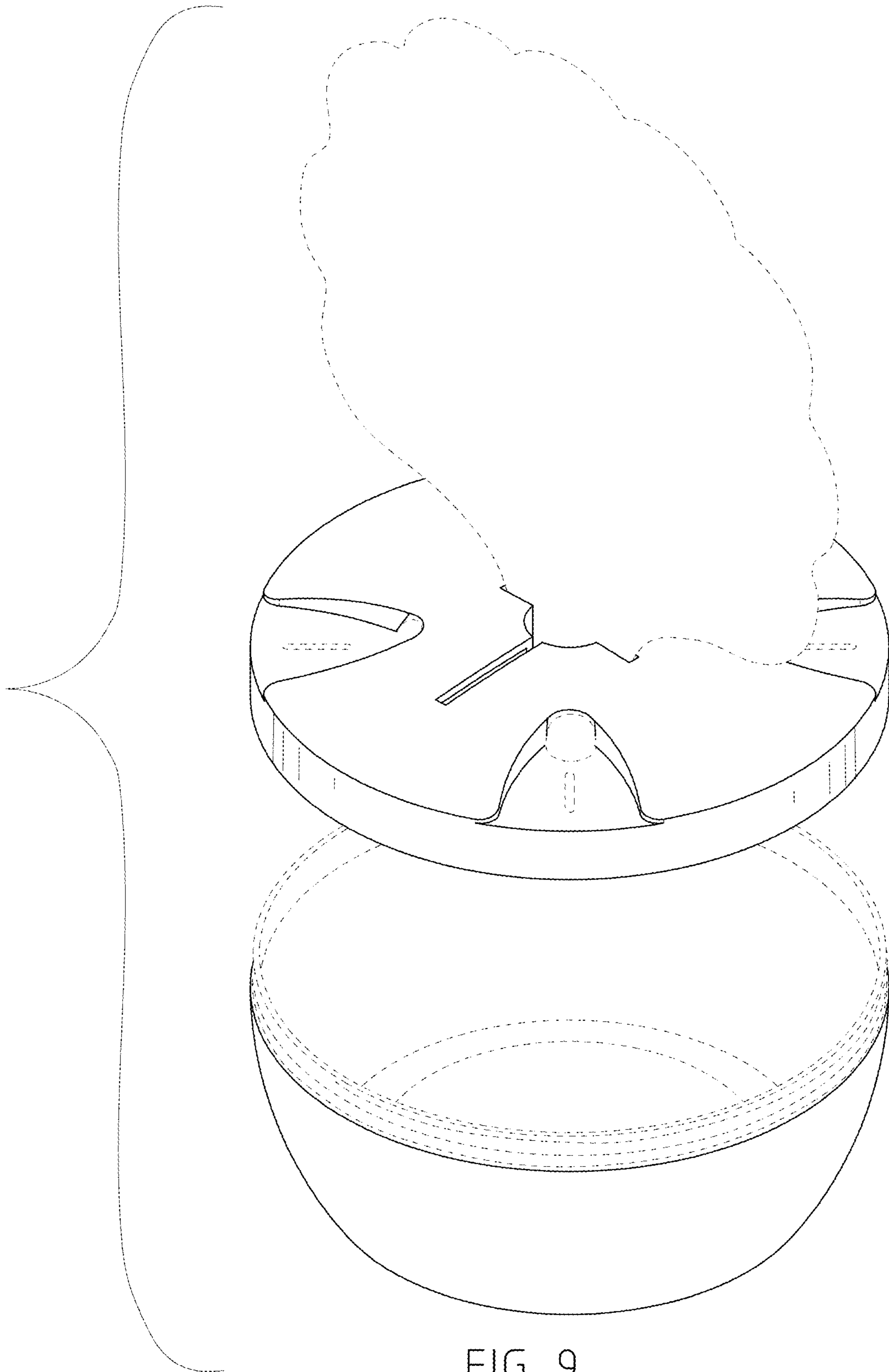


FIG. 9