



US00D963103S

(12) **United States Design Patent** (10) **Patent No.:** **US D963,103 S**
Smith (45) **Date of Patent:** **** Sep. 6, 2022**

(54) **HOUSING FOR AN ARTHROPOD TRAPPING DEVICE**

D850,572 S * 6/2019 Lieberwirth D22/122
D890,290 S * 7/2020 Towne D22/122
D890,291 S * 7/2020 Rocha D22/122

(71) Applicant: **The Procter & Gamble Company**, Cincinnati, OH (US)

* cited by examiner

(72) Inventor: **Christopher Lawrence Smith**, Liberty Township, OH (US)

Primary Examiner — Catherine R Oliver-Garcia

(73) Assignee: **THE PROCTER & GAMBLE COMPANY**, Cincinnati, OH (US)

(74) *Attorney, Agent, or Firm* — Melissa Krasovec

(**) Term: **15 Years**

(57) **CLAIM**

The ornamental design for a housing for an arthropod trapping device, as shown and described.

(21) Appl. No.: **29/748,554**

DESCRIPTION

(22) Filed: **Aug. 31, 2020**

(51) **LOC (13) Cl.** **22-06**

(52) **U.S. Cl.**
USPC **D22/122**

(58) **Field of Classification Search**
USPC D22/122–123; D23/366–369
CPC A01M 1/02; A01M 1/04; A01M 1/10;
A01M 1/14; A01M 1/023; A01M 1/223;
A01M 1/106; A01M 1/145; A01M
1/2016; A01M 29/12; A01M 29/34;
A01M 2200/01; A01M 2200/012
See application file for complete search history.

FIG. 1 is a front, right-side isometric view of an embodiment of a housing for an arthropod trapping device;
FIG. 2 is a rear, left-side isometric view of the housing for an arthropod trapping device of FIG. 1;
FIG. 3 is a front view of the housing for an arthropod trapping device of FIG. 1;
FIG. 4 is a right side view of the housing for an arthropod trapping device of FIG. 1;
FIG. 5 is is a rear view of the housing for an arthropod trapping device of FIG. 1;
FIG. 6 is a left side view of the housing for an arthropod trapping device of FIG. 1;
FIG. 7 is a top view of the housing for an arthropod trapping device of FIG. 1; and,
FIG. 8 is a bottom view of the housing for an arthropod trapping device of FIG. 1.

(56) **References Cited**

U.S. PATENT DOCUMENTS

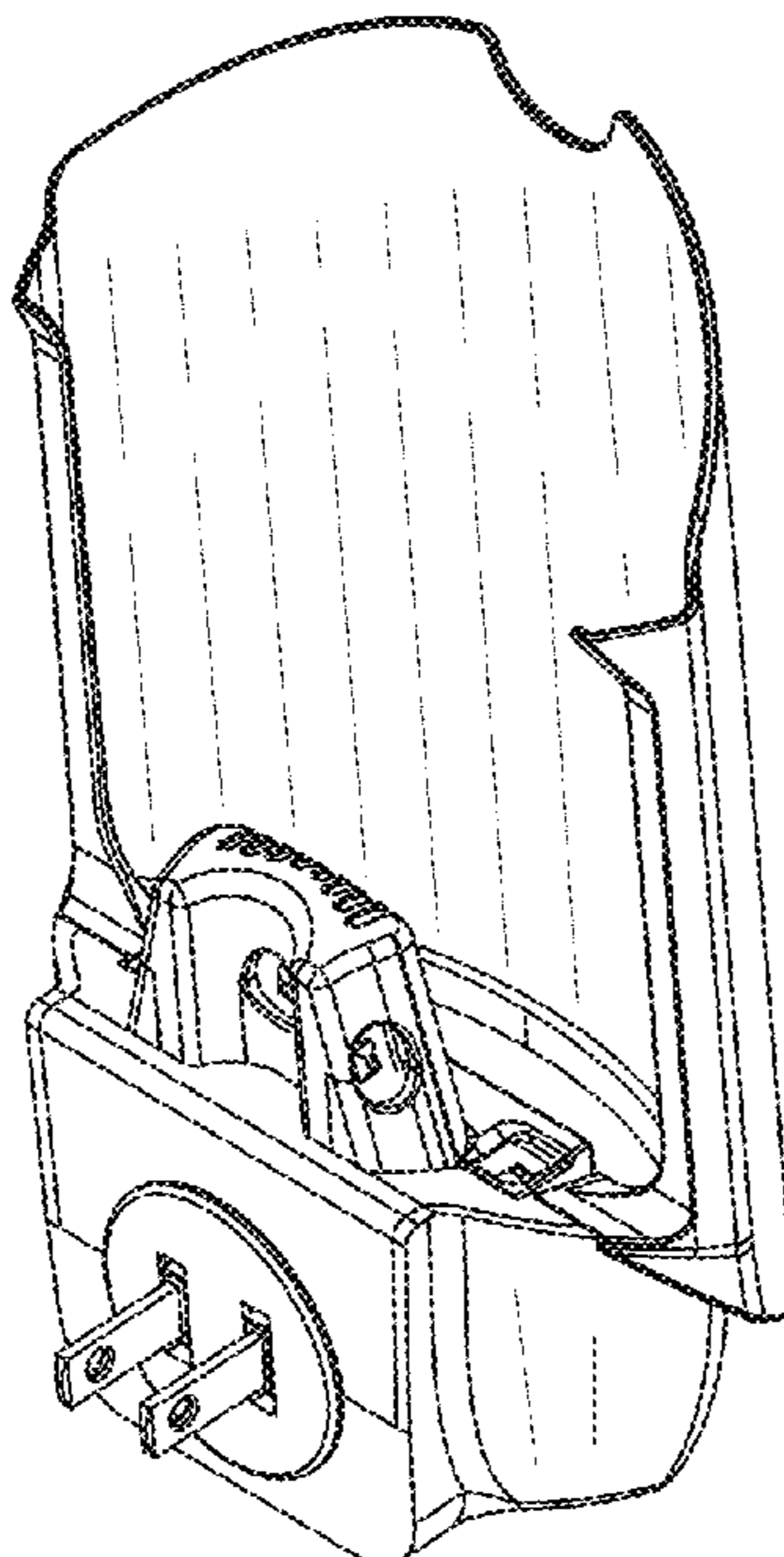
D357,725 S * 4/1995 Biasseti D22/122
D633,192 S * 2/2011 Valentino D23/366
D638,531 S * 5/2011 Irwin D23/366
D643,103 S * 8/2011 Bilko D23/366
D673,666 S * 1/2013 Gordon D23/366
D841,114 S * 2/2019 Savchenko D22/123
D844,098 S * 3/2019 Rocha D22/122

The broken lines illustrate structure or features that form no part of the claimed design.

The dot-dash broken lines define the bounds of the claimed design and form no part thereof.

The drawings include shadows and reflections that indicate contour, not surface ornamentation.

1 Claim, 4 Drawing Sheets



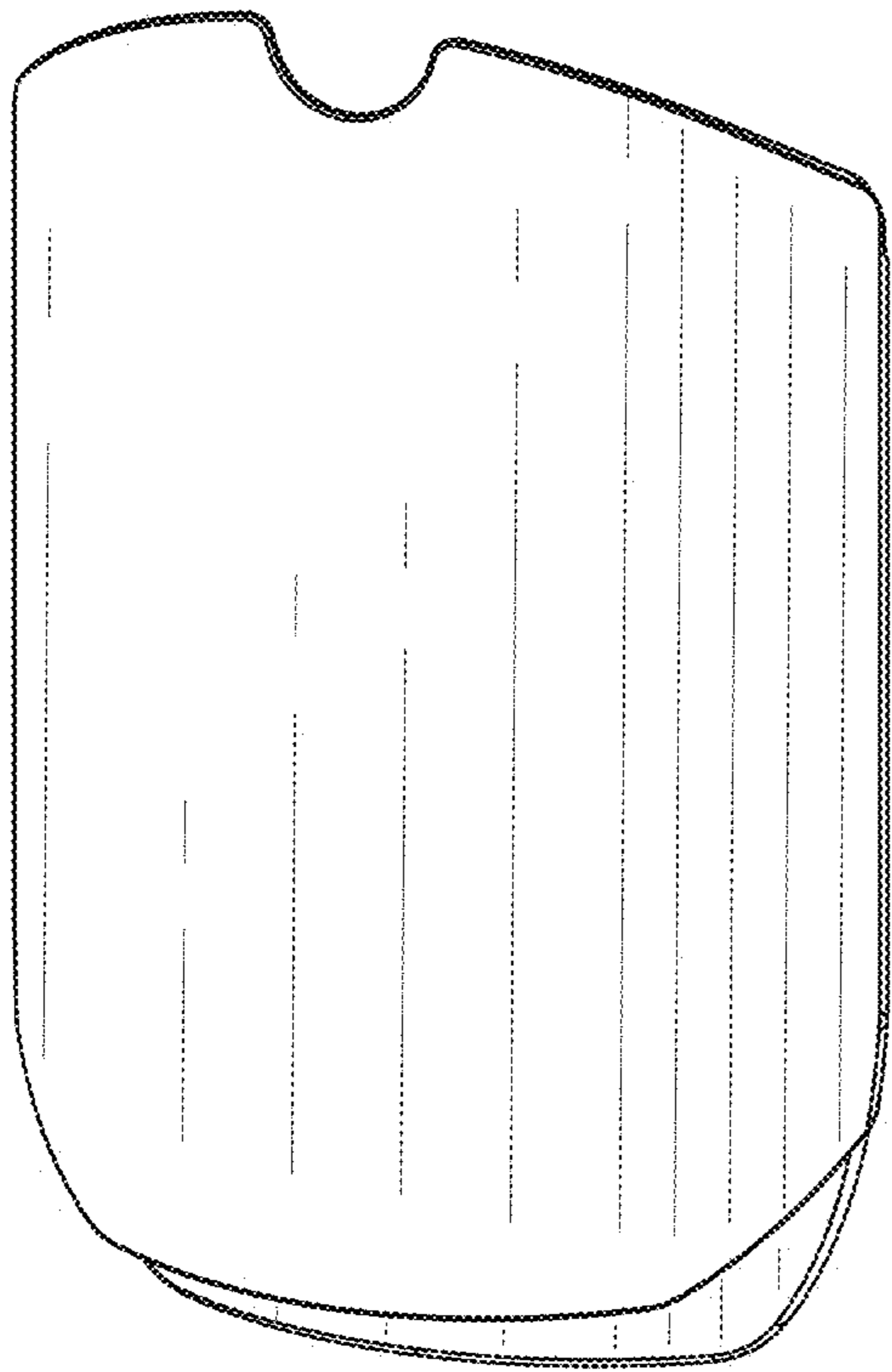


Fig. 1

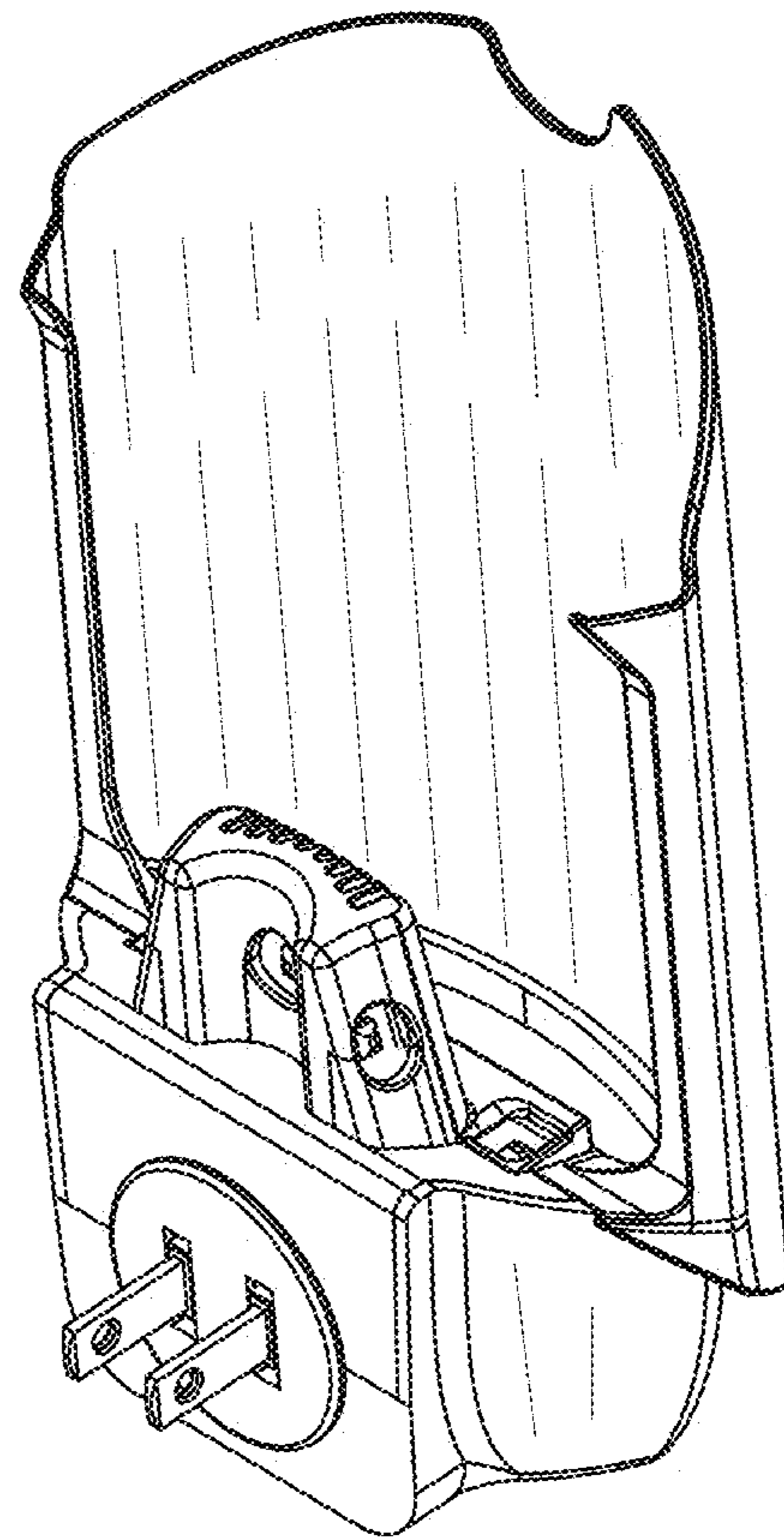


Fig. 2

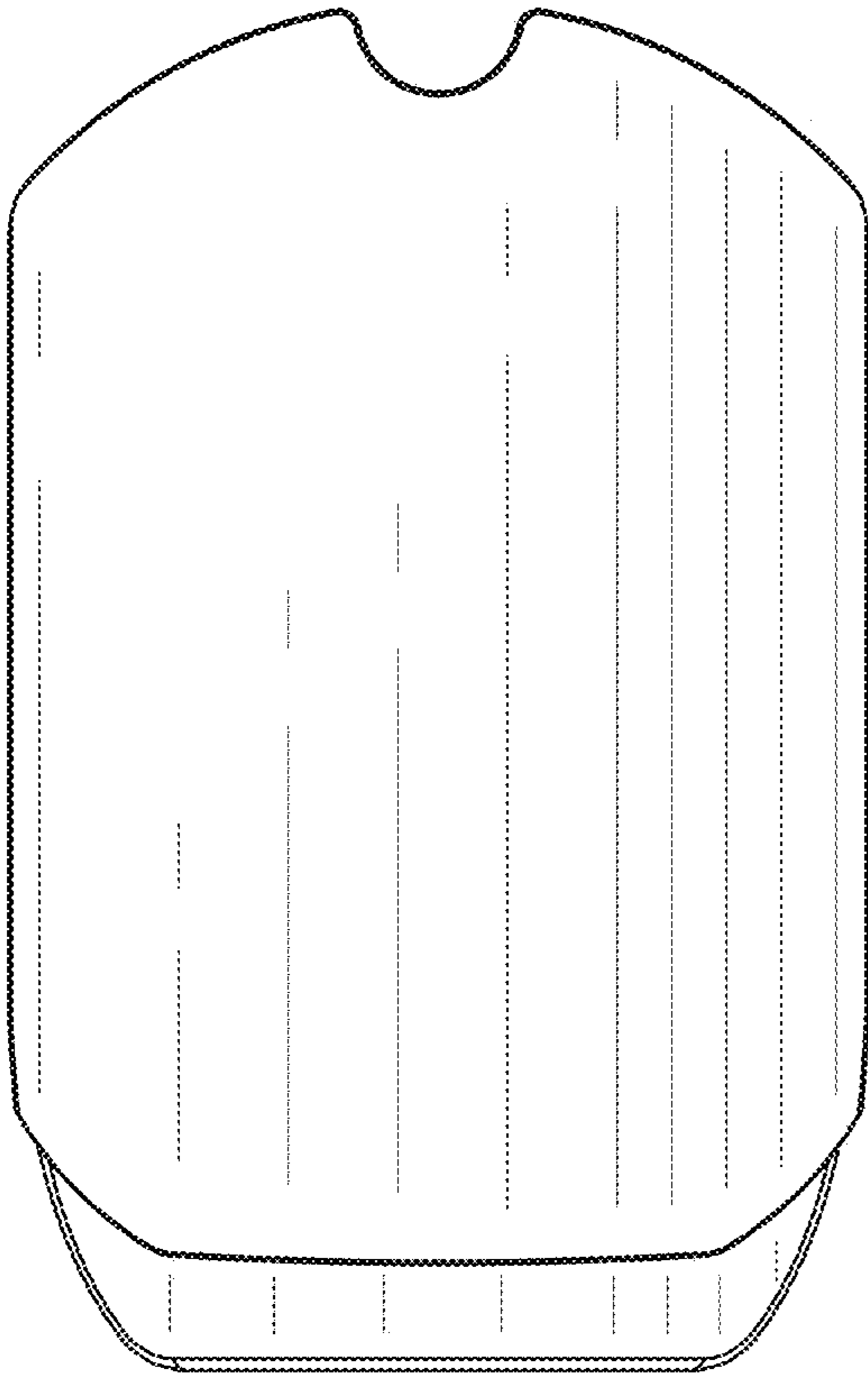


Fig. 3

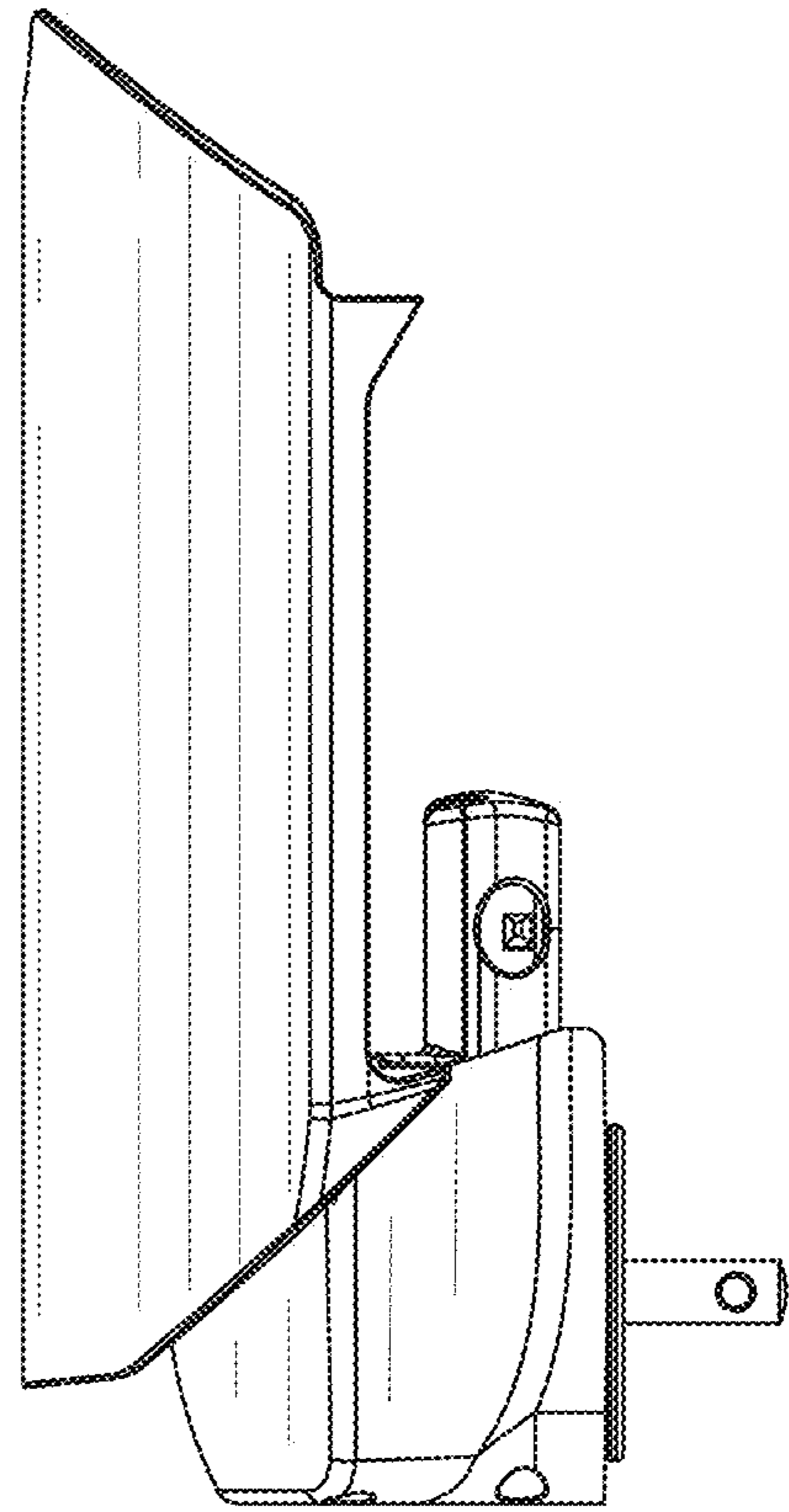


Fig. 4

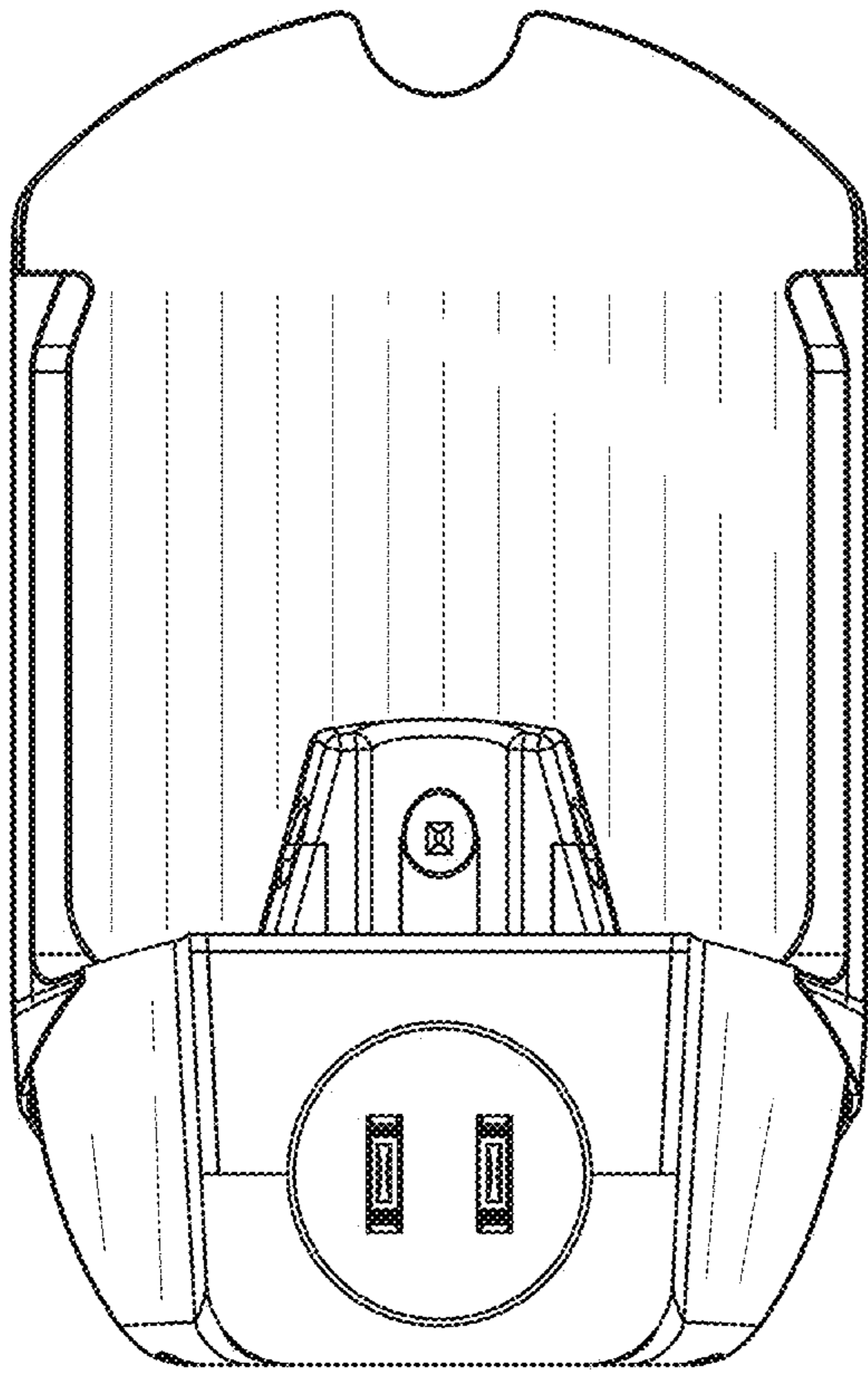


Fig. 5

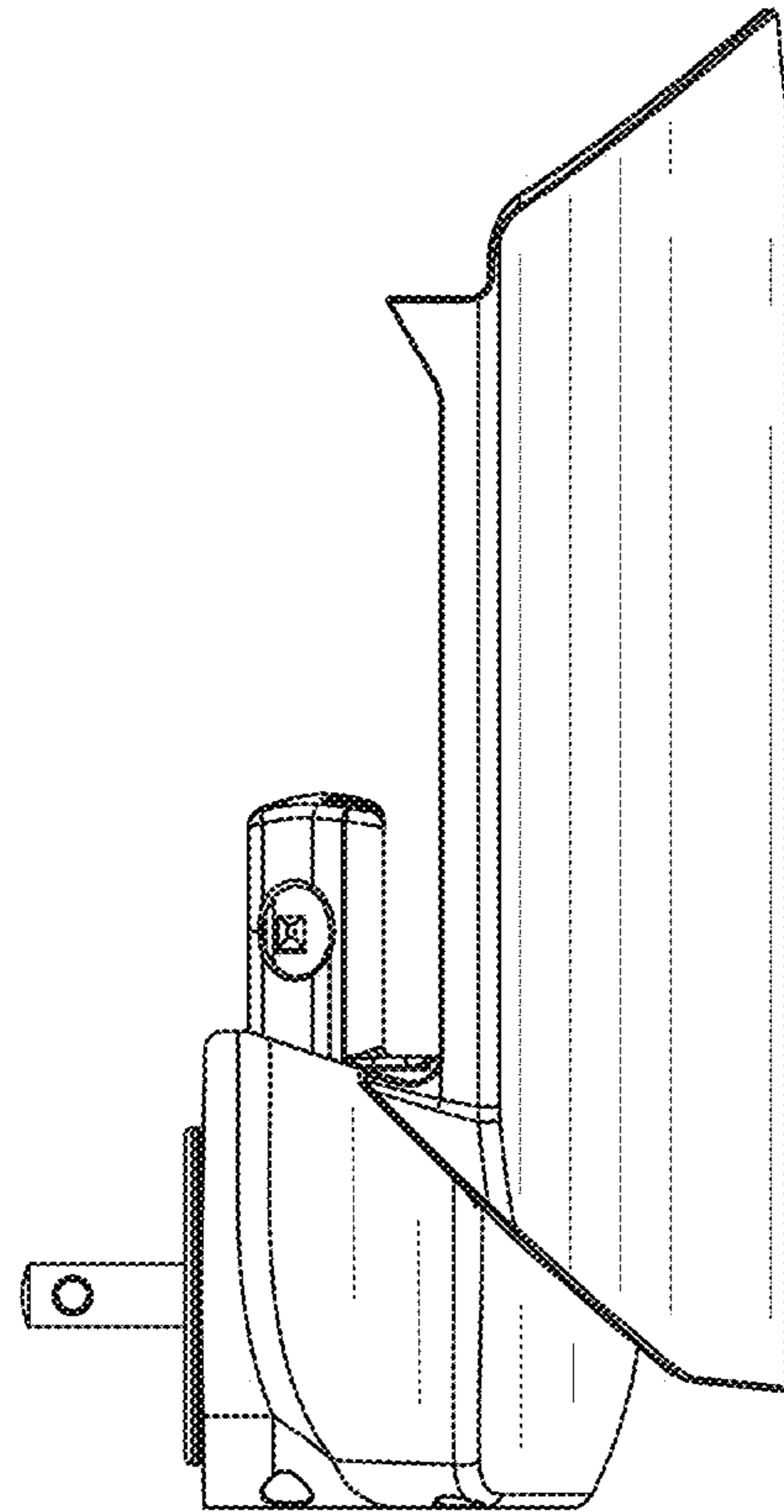


Fig. 6

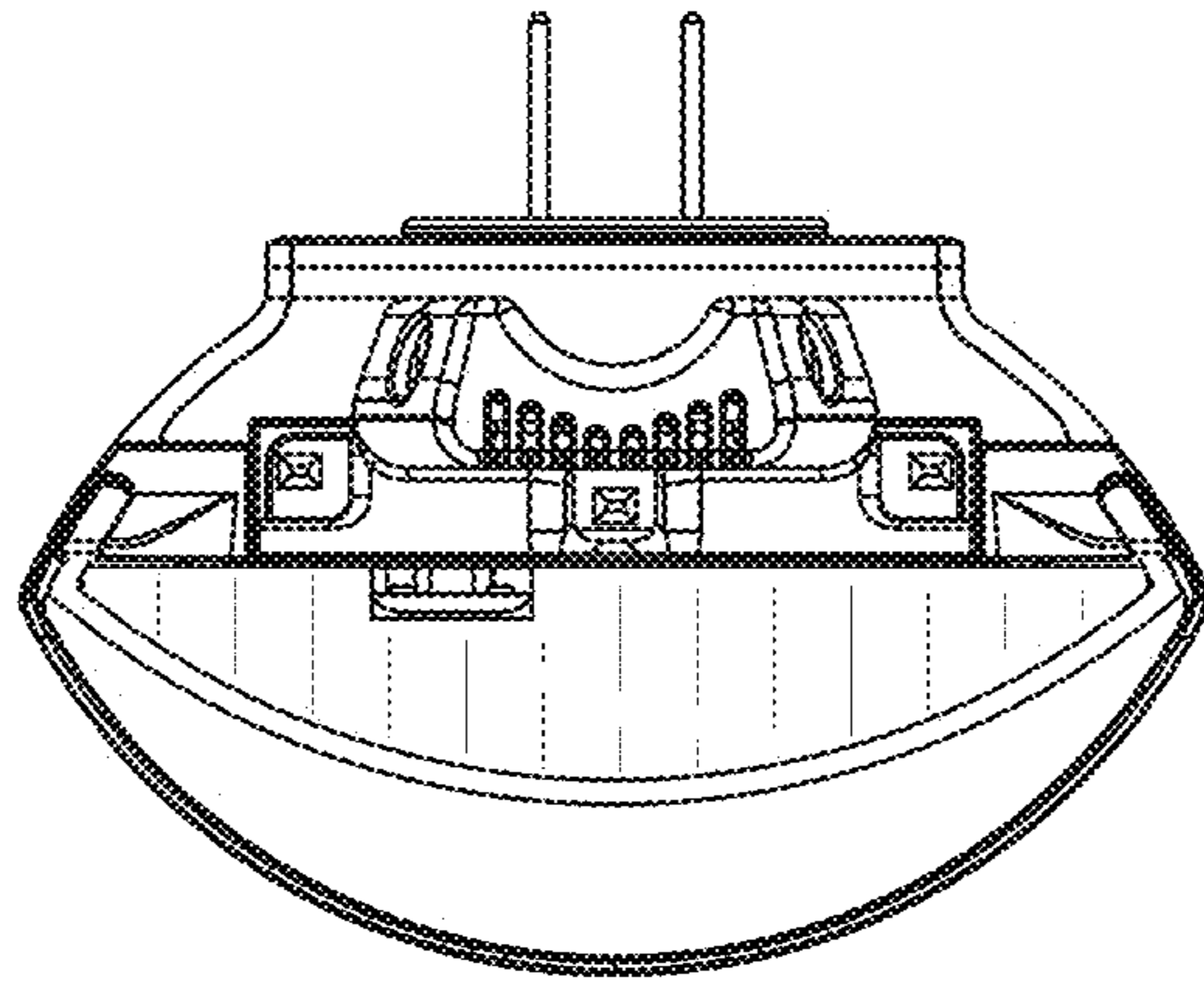


Fig. 7

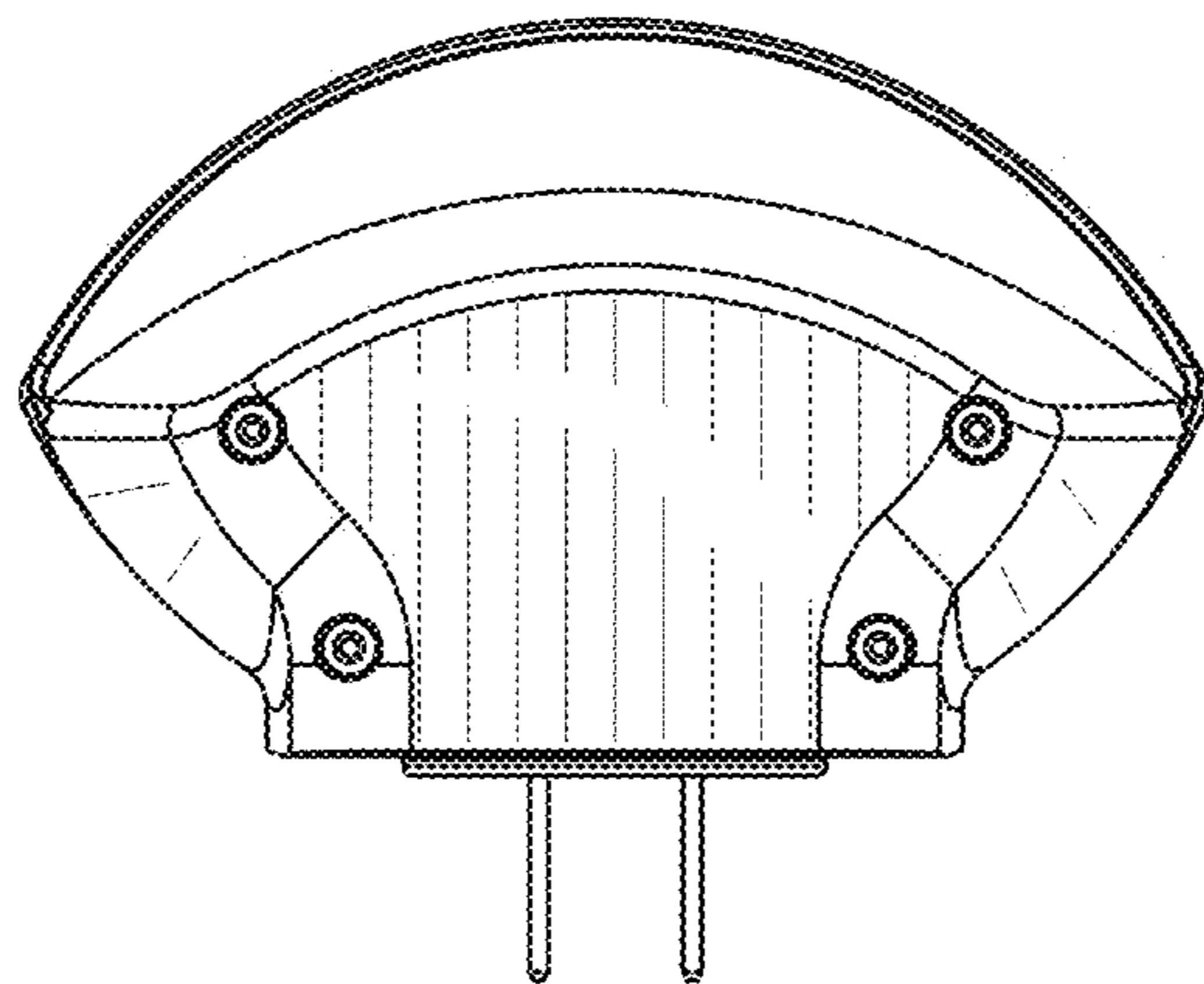


Fig. 8