



US00D963101S

(12) **United States Design Patent**
Hague et al.

(10) **Patent No.:** **US D963,101 S**

(45) **Date of Patent:** **** Sep. 6, 2022**

(54) **TARGET MEDIA HOLDER**

(71) Applicant: **Evolve Range Solutions, Inc.**, New Castle, IN (US)

(72) Inventors: **Douglas Lee Hague**, Covington, OH (US); **William Charles Flock**, Tipp City, OH (US)

(73) Assignee: **Evolve Range Solutions, Inc.**, New Castle, IN (US)

(**) Term: **15 Years**

(21) Appl. No.: **29/732,522**

(22) Filed: **Apr. 24, 2020**

Related U.S. Application Data

(62) Division of application No. 29/641,337, filed on Mar. 21, 2018, now Pat. No. Des. 885,512.

(51) **LOC (13) Cl.** **22-04**

(52) **U.S. Cl.**
USPC **D22/113**

(58) **Field of Classification Search**
USPC D22/113-114, 199; D21/790, 796;
D7/334
CPC F41J 1/10; F41J 1/00; F41J 5/14; F41J
3/0004

See application file for complete search history.

(56) **References Cited**

U.S. PATENT DOCUMENTS

1,981,293 A	11/1934	Varrelman
2,034,839 A	3/1936	Sheffield
2,048,155 A	7/1936	Armantrout
2,466,686 A	4/1949	Connelly
3,495,829 A	2/1970	Booth
3,519,272 A	7/1970	De Vogelaere
D228,186 S	8/1973	Wortley, Jr.
3,914,879 A	10/1975	Taylor, III et al.

D241,246 S	8/1976	De Vogelaere
4,151,996 A	5/1979	Lee et al.
4,317,572 A	3/1982	Iseli
4,540,182 A	9/1985	Clement
4,548,414 A	10/1985	Denis

(Continued)

FOREIGN PATENT DOCUMENTS

DE	8621651 U1	6/1988
DE	29915933 U1	9/2000

(Continued)

OTHER PUBLICATIONS

Champion 22 Rimfire Bullet Trap, posted at Sportsman's Warehouse, review date Jun. 13, 2017, site visited Jun. 5, 2021. URL: <https://www.amazon.com/Thermaltake-Motherboard-Computer-Pre-Installed-CA-1Q6-00M6WN-00/dp/B08451HJGG/ref=pd_rhf_dp_p_img_4?_encoding=UTF8&psc=1&refRID=9VVV1R77E8T5K8E884J0> (Year: 2017).*

(Continued)

Primary Examiner — Kathleen L Jones

(74) *Attorney, Agent, or Firm* — Thomas E. Lees, LLC

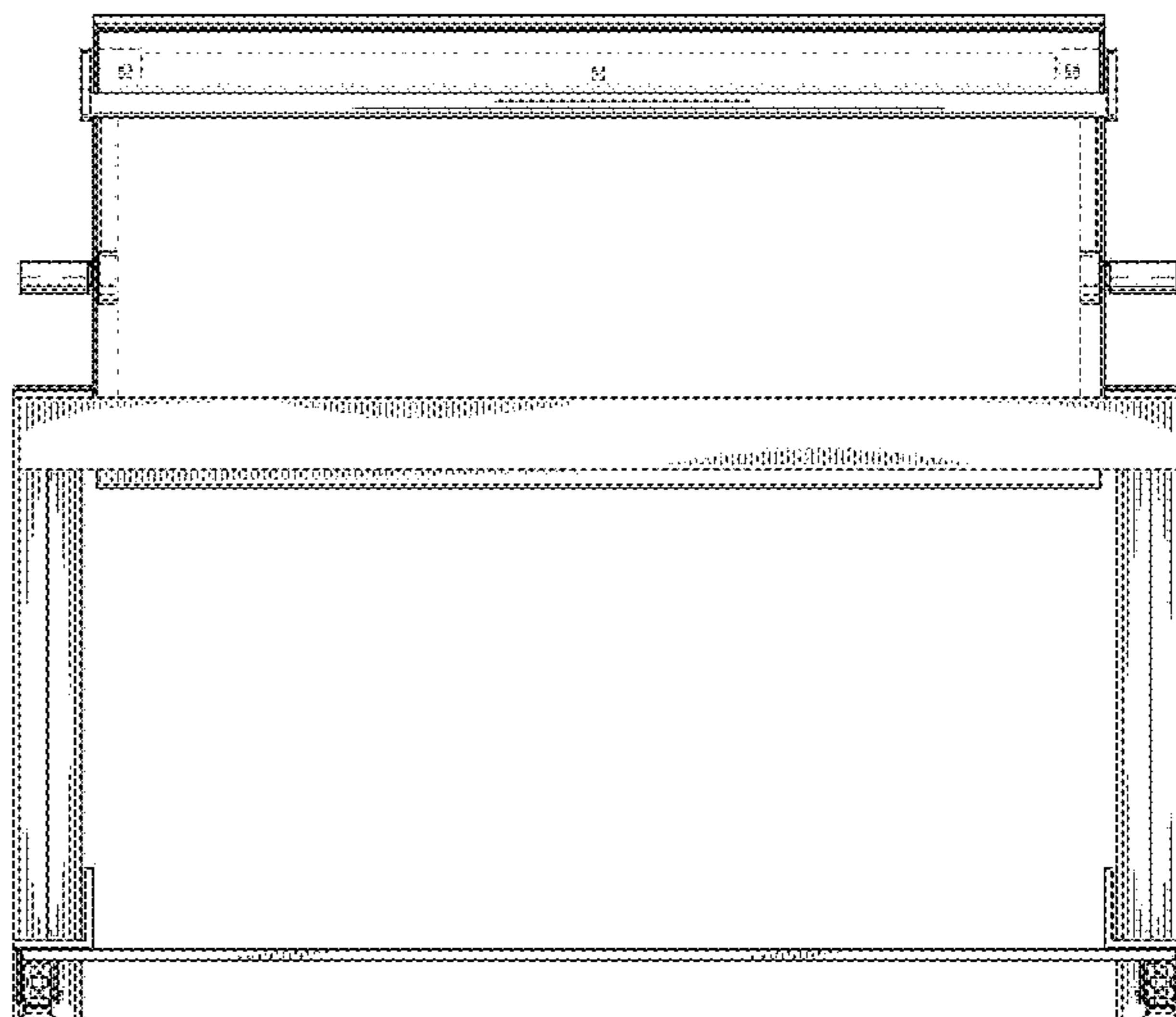
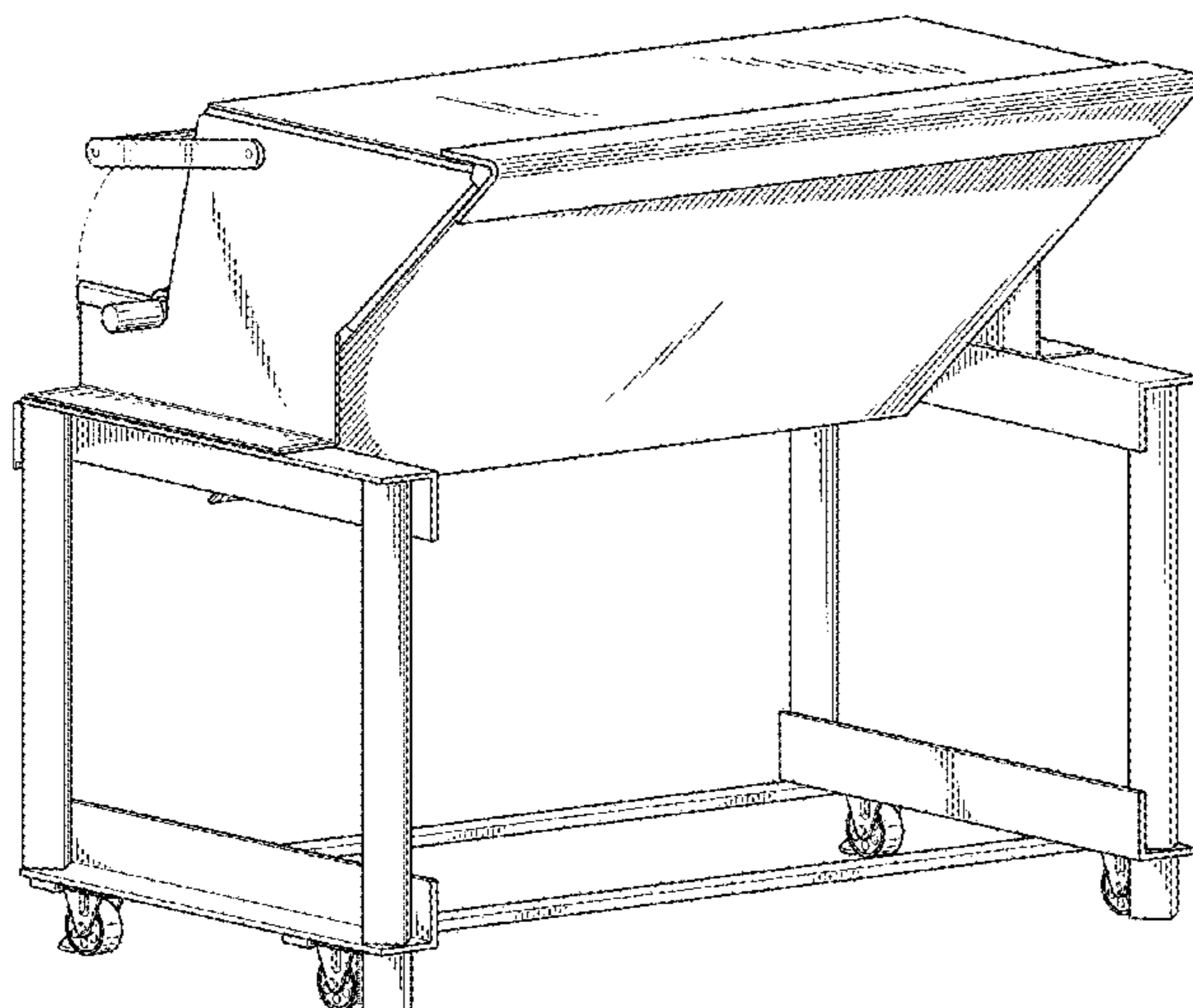
(57) **CLAIM**

The ornamental design for a target media holder, as shown and described.

DESCRIPTION

FIG. 1 is a perspective front view of a target media holder; FIG. 2 is a right side view of the holder of FIG. 1; FIG. 3 is a left side view of the holder of FIG. 1; FIG. 4 is a front view of the holder of FIG. 1; FIG. 5 is a back view of the holder of FIG. 1; FIG. 6 is a top view of the holder of FIG. 1; and, FIG. 7 is a bottom view of the holder of FIG. 1; The broken lines showing portions of the article form no part of the claimed design.

1 Claim, 7 Drawing Sheets



(56)

References Cited

U.S. PATENT DOCUMENTS

4,583,744 A 4/1986 Tolliver et al.
 D284,422 S 7/1986 Pomaville
 D287,530 S 12/1986 Magnuson
 D300,162 S 3/1989 Ravalli et al.
 4,813,684 A 3/1989 Bruno
 D329,680 S 9/1992 Burn
 5,169,157 A 12/1992 Salmon
 D373,169 S 8/1996 Kokko
 5,577,733 A 11/1996 Downing
 5,829,753 A 11/1998 Wisner
 D412,425 S 8/1999 Pai
 D565,824 S 4/2008 Mueller
 D635,814 S 4/2011 Leavens
 8,141,878 B2 3/2012 Kuyl
 8,608,169 B2 12/2013 Saunders et al.
 D735,833 S 8/2015 Winstead
 9,255,773 B1 2/2016 Hall
 9,534,873 B2 1/2017 Urban
 10,203,181 B1 2/2019 Choi
 D842,021 S 3/2019 Wenzel et al.
 10,267,602 B2 4/2019 Carrillo Fuentesvilla et al.
 10,274,291 B2 4/2019 Davis et al.
 10,371,316 B2 8/2019 Barenbrugge et al.
 10,584,826 B2 * 3/2020 Barenbrugge A63B 71/0054
 10,610,010 B2 * 4/2020 Matlin F16M 11/2092
 D885,512 S * 5/2020 Hague D22/113
 10,677,570 B2 * 6/2020 Hague F41J 11/02
 D890,562 S * 7/2020 Nicoll D7/334
 10,866,071 B2 * 12/2020 Huang F41J 5/14
 D910,799 S * 2/2021 Staats D22/113
 D915,120 S * 4/2021 Bennion D7/334
 11,125,539 B2 * 9/2021 Hague F41J 1/10
 2002/0125645 A1 9/2002 Baker
 2002/0158413 A1 10/2002 Dehart
 2007/0013138 A1 1/2007 Hinnant
 2008/0211190 A1 9/2008 Smith

2009/0026708 A1 1/2009 Sitton
 2011/0068538 A1 3/2011 Kuyl
 2011/0175293 A1 7/2011 Brune
 2011/0227288 A1 9/2011 Krickovic
 2017/0059283 A1 3/2017 Parrish
 2018/0202774 A1 7/2018 Sitzman et al.
 2019/0293391 A1 9/2019 Hague et al.
 2019/0360785 A1 11/2019 Bitkowski
 2020/0363170 A1 * 11/2020 Cole F41J 1/10
 2021/0033373 A1 * 2/2021 Babcock F41J 7/04
 2021/0075366 A1 * 3/2021 West F24S 30/00
 2021/0102786 A1 * 4/2021 Howell F41J 1/10
 2022/0003526 A1 * 1/2022 Hague F41J 1/10

FOREIGN PATENT DOCUMENTS

FR 2540619 A1 8/1984
 JP 09229599 A 9/1997
 JP 2015146948 A 8/2015
 WO 9415166 A1 12/1993
 WO WO-2020085691 A1 * 4/2020 F41J 13/00

OTHER PUBLICATIONS

U.S. Pat. No. 840,610; Easdale; issued Jan. 8, 1907.
 U.S. Pat. No. 398,186; Reh fuss; issued Feb. 19, 1889.
 Nicholas C. [Gaos 2018] American Range Systems Brought Out The Coffin, posted at The Firearm Blog, posting date Feb. 15, 2018. Site visited Apr. 10, 2019. URL: <<https://www.thefirearmblog.com/blog/2018/02/15/american-range-sytems-coffin/>> (Year: 2018).
 Graham, Mark S.; Notice of Allowance for U.S. Appl. No. 16/361,060; dated Jan. 28, 2020; United States Patent and Trademark Office; Alexandria, VA.
 Vanderveen, Jeffrey S.; Notice of Allowance for U.S. Appl. No. 16/860,246; dated May 20, 2021; United States Patent and Trademark Office; Alexandria, VA.

* cited by examiner

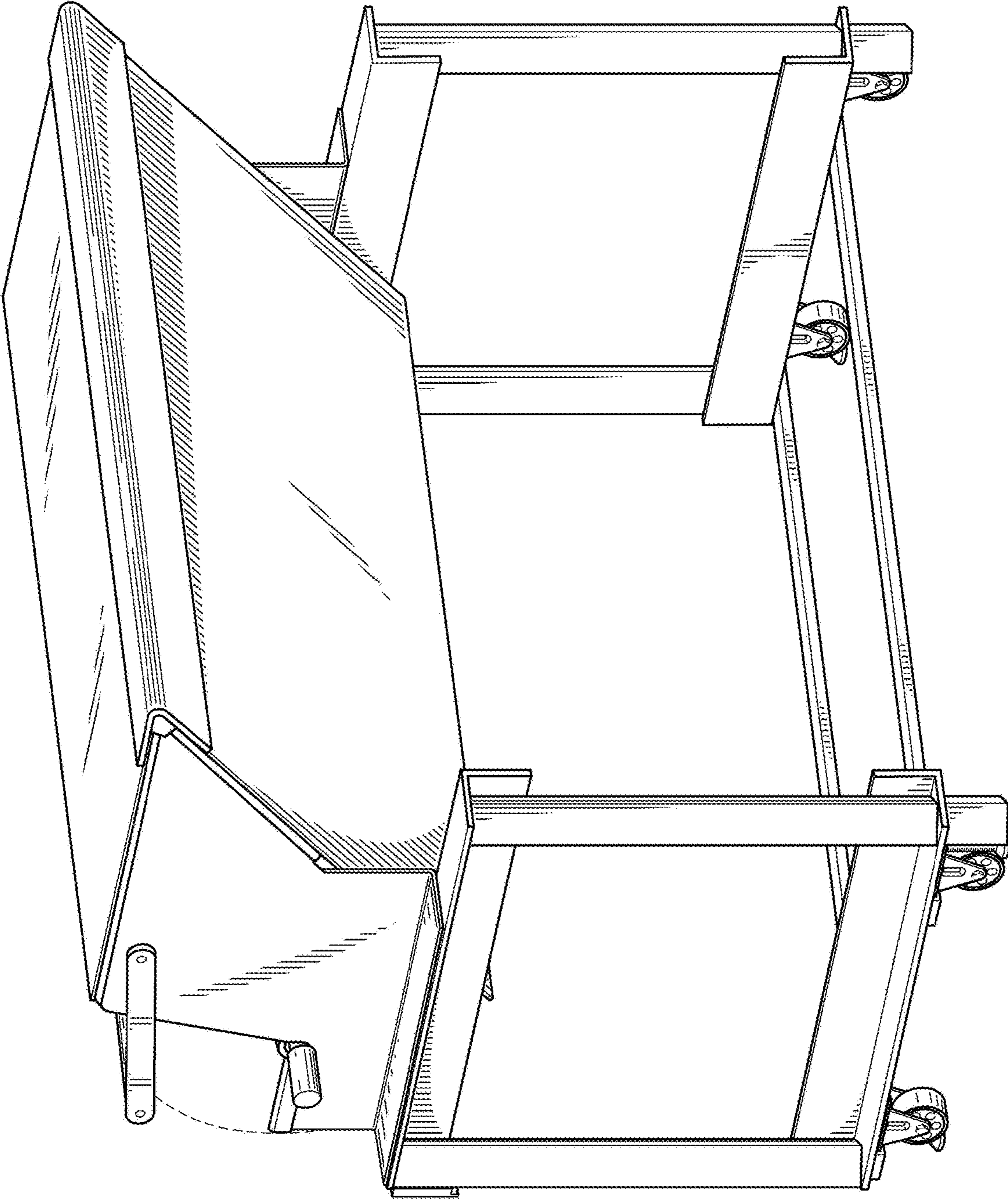


FIG. 1

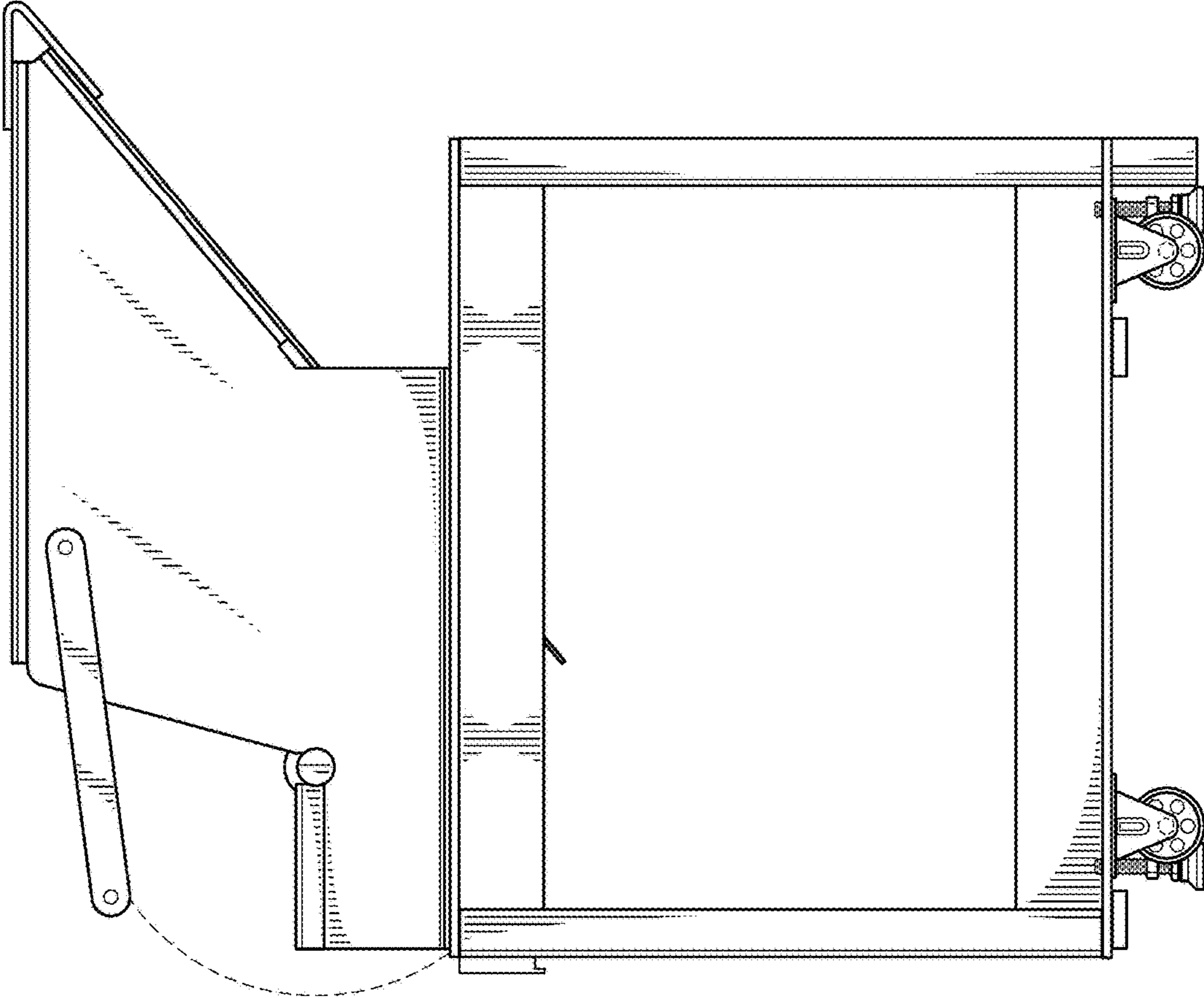


FIG. 2

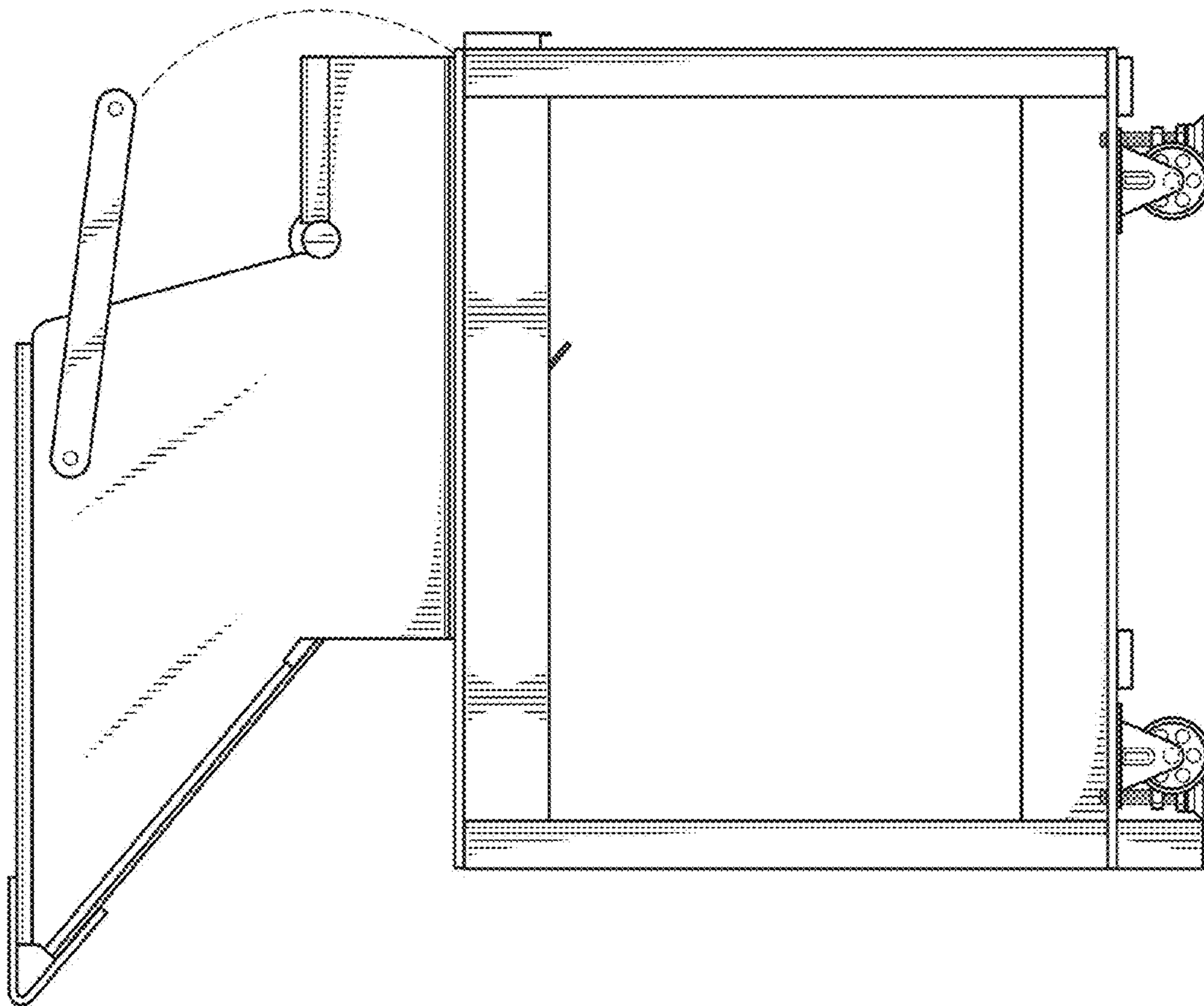


FIG. 3

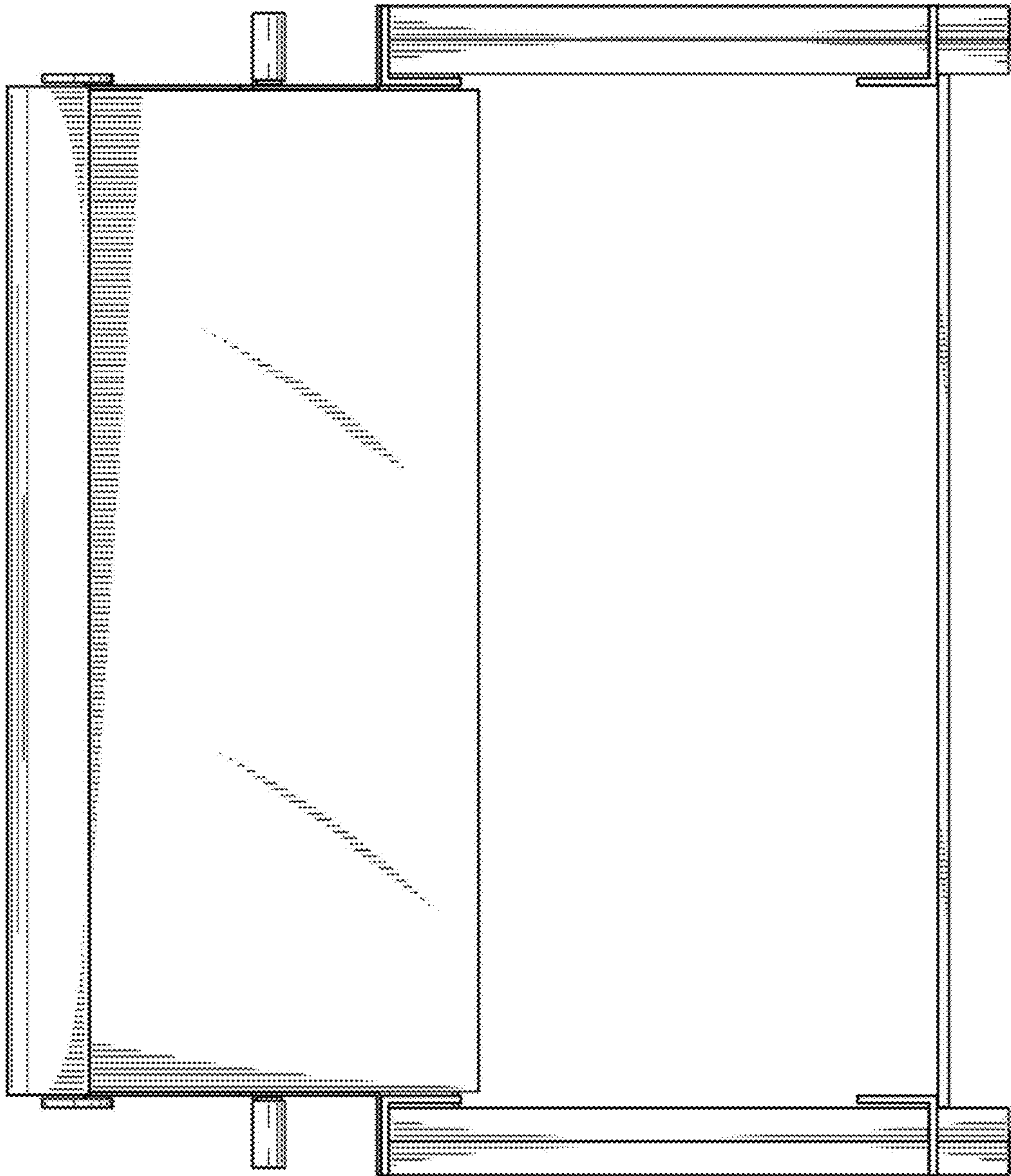


FIG. 4

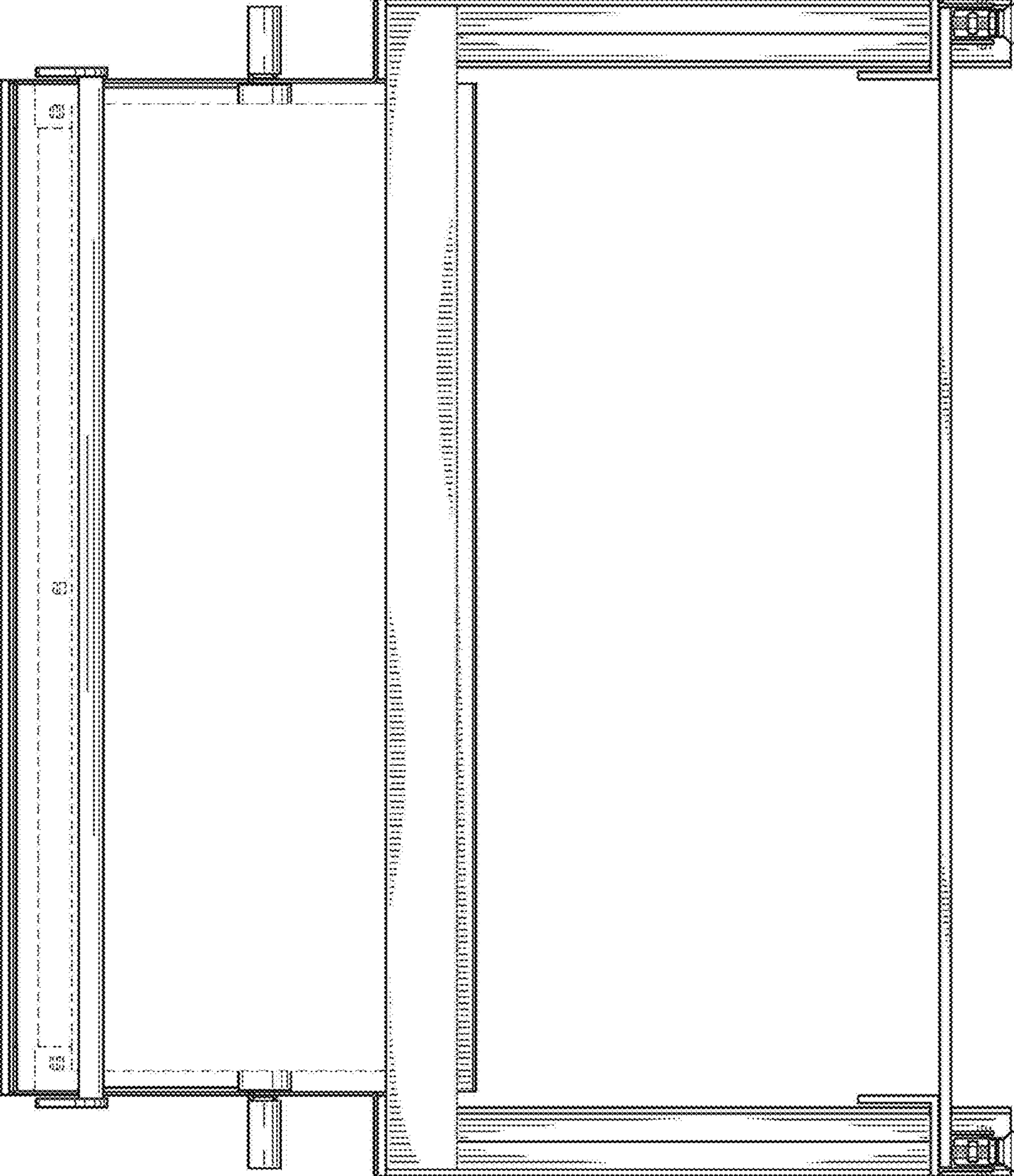


FIG. 5

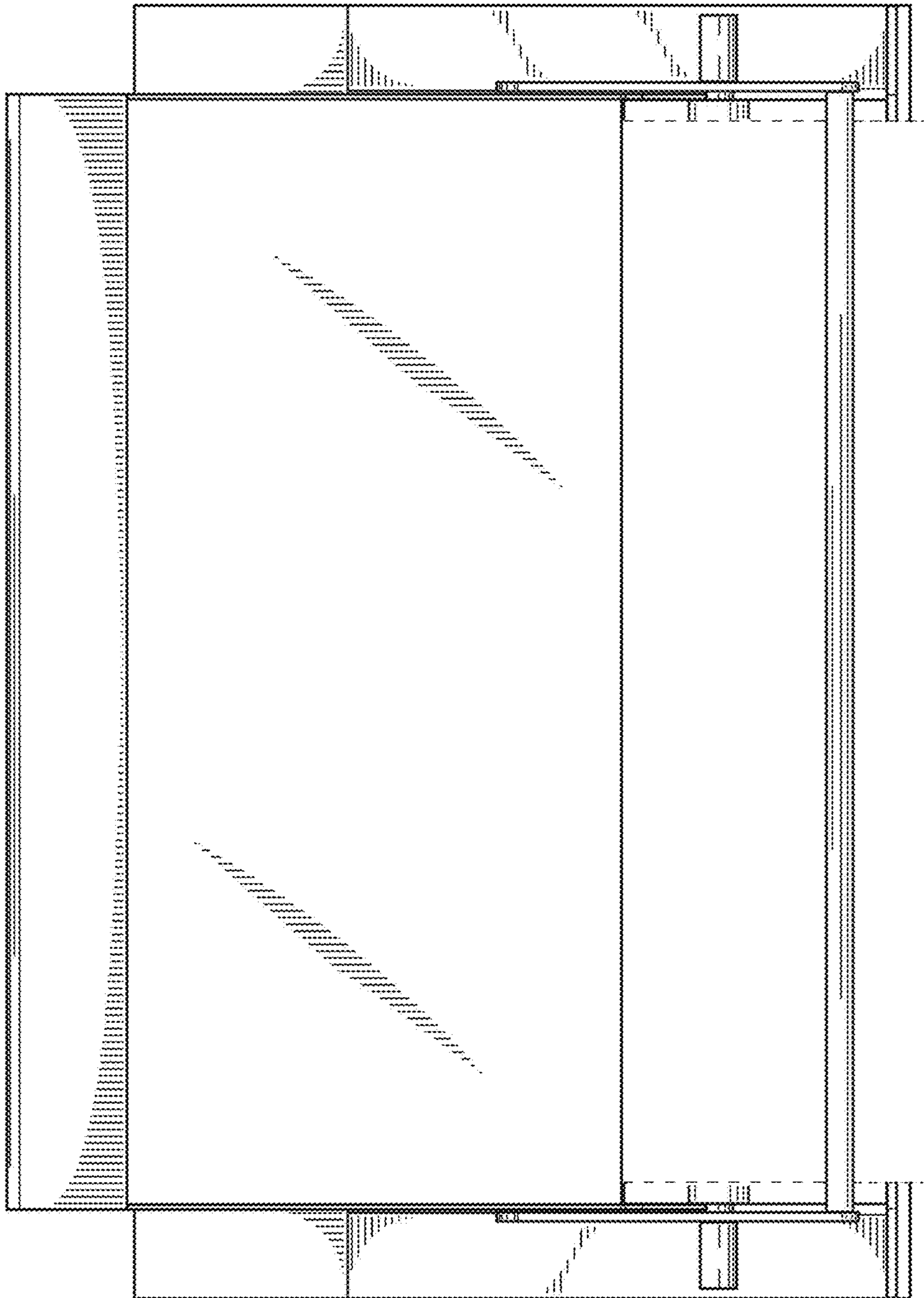


FIG. 6

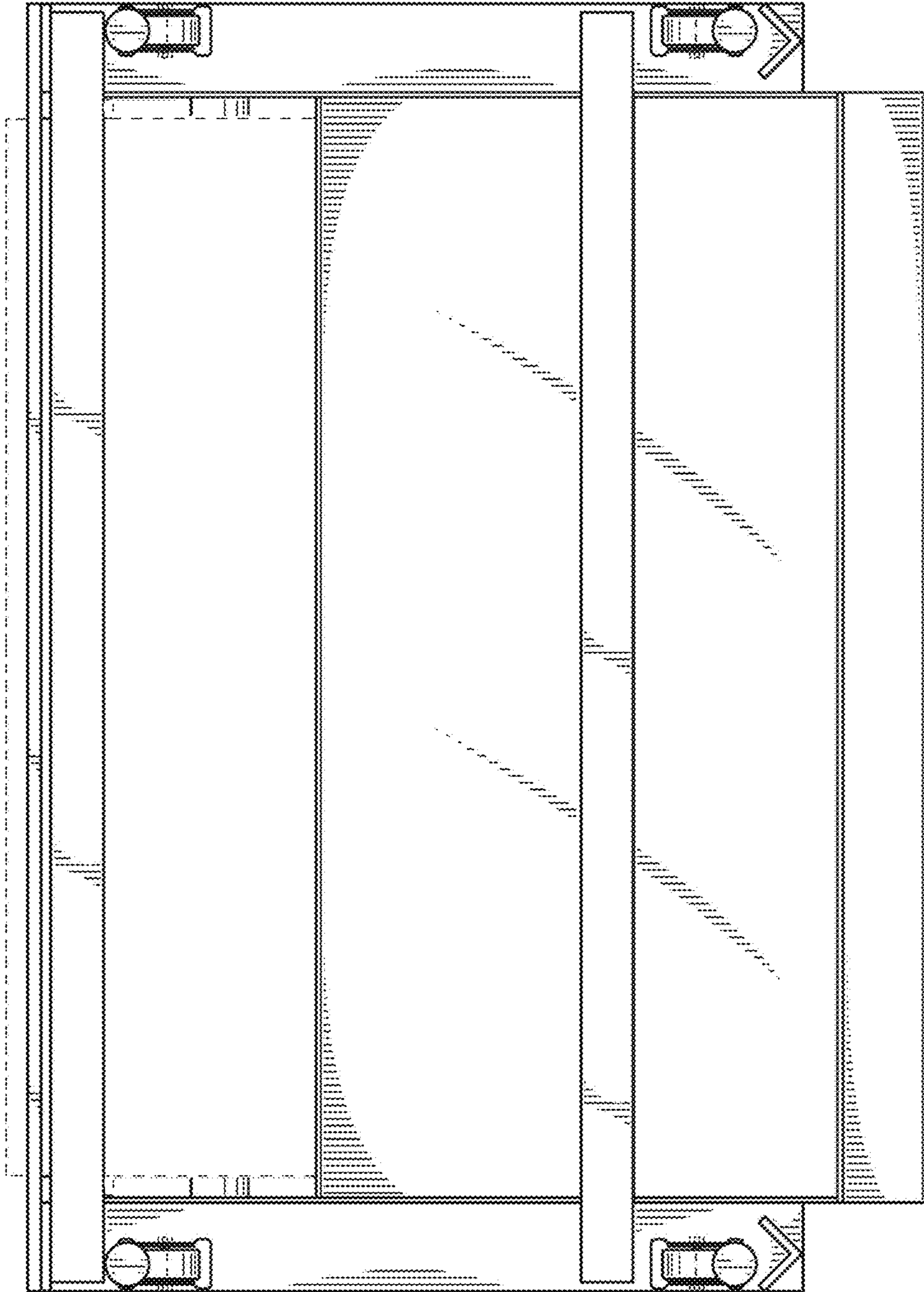


FIG. 7