



US00D963100S

(12) **United States Design Patent**
Green et al.

(10) **Patent No.:** **US D963,100 S**

(45) **Date of Patent:** **** Sep. 6, 2022**

- (54) **SILENCER TUBE BODY**
- (71) Applicants: **Austin R. Green**, Watertown, WI (US);
Evan R. Green, Watertown, WI (US)
- (72) Inventors: **Austin R. Green**, Watertown, WI (US);
Evan R. Green, Watertown, WI (US)

D792,545 S *	7/2017	Green	D22/108
D802,699 S *	11/2017	Shults	D22/108
D810,224 S *	2/2018	Lessard	D22/108
D833,565 S *	11/2018	Roberts	D22/108
D839,375 S	1/2019	James		
D860,372 S *	9/2019	Riley	D22/108
D875,874 S *	2/2020	Oglesby	D22/108
D886,230 S *	6/2020	Green	D22/108
D888,871 S *	6/2020	Alomaira	D22/108

(**) Term: **15 Years**

(Continued)

(21) Appl. No.: **29/741,049**

(22) Filed: **Jul. 9, 2020**

(51) **LOC (13) Cl.** **22-01**

(52) **U.S. Cl.**
USPC **D22/108**

(58) **Field of Classification Search**
USPC D22/100, 101, 103, 104, 105, 108, 199;
D21/573-575; D15/138; D23/266
CPC F41A 21/30; F41A 21/325; F41A 13/00;
F41A 21/44; F41A 35/04
See application file for complete search history.

(56) **References Cited**

U.S. PATENT DOCUMENTS

D158,797 S *	5/1950	Powell	D22/108
D475,798 S *	6/2003	Galli	D26/37
D476,103 S *	6/2003	Galli	D26/37
D557,839 S *	12/2007	Shiu	D26/37
D577,449 S *	9/2008	Shiu	D26/49
D582,502 S	12/2008	Brittingham		
D582,503 S	12/2008	Brittingham		
D584,786 S	1/2009	Brittingham		
D584,787 S	1/2009	Brittingham		
D585,518 S	1/2009	Brittingham		
D586,489 S *	2/2009	Shiu	D26/49
D591,382 S	4/2009	Brittingham		
8,973,481 B2 *	3/2015	Dueck	F41A 21/325 89/14.4
D738,453 S *	9/2015	Montes	D22/108
D764,621 S *	8/2016	Dueck	D22/108
D767,706 S	9/2016	Shults		
D776,226 S	1/2017	Green		

OTHER PUBLICATIONS

SilencerShop. "Silencer Shop Presents: Griffin Armament" Posted: Jun. 2, 2020 [visited: Jan. 10, 2022] URL: https://www.youtube.com/watch?v=HTInFSsD_uA (Year: 2020).*

(Continued)

Primary Examiner — Michael A. Pratt
(74) *Attorney, Agent, or Firm* — Mitchell Law PLLC;
Matthew W. Mitchell

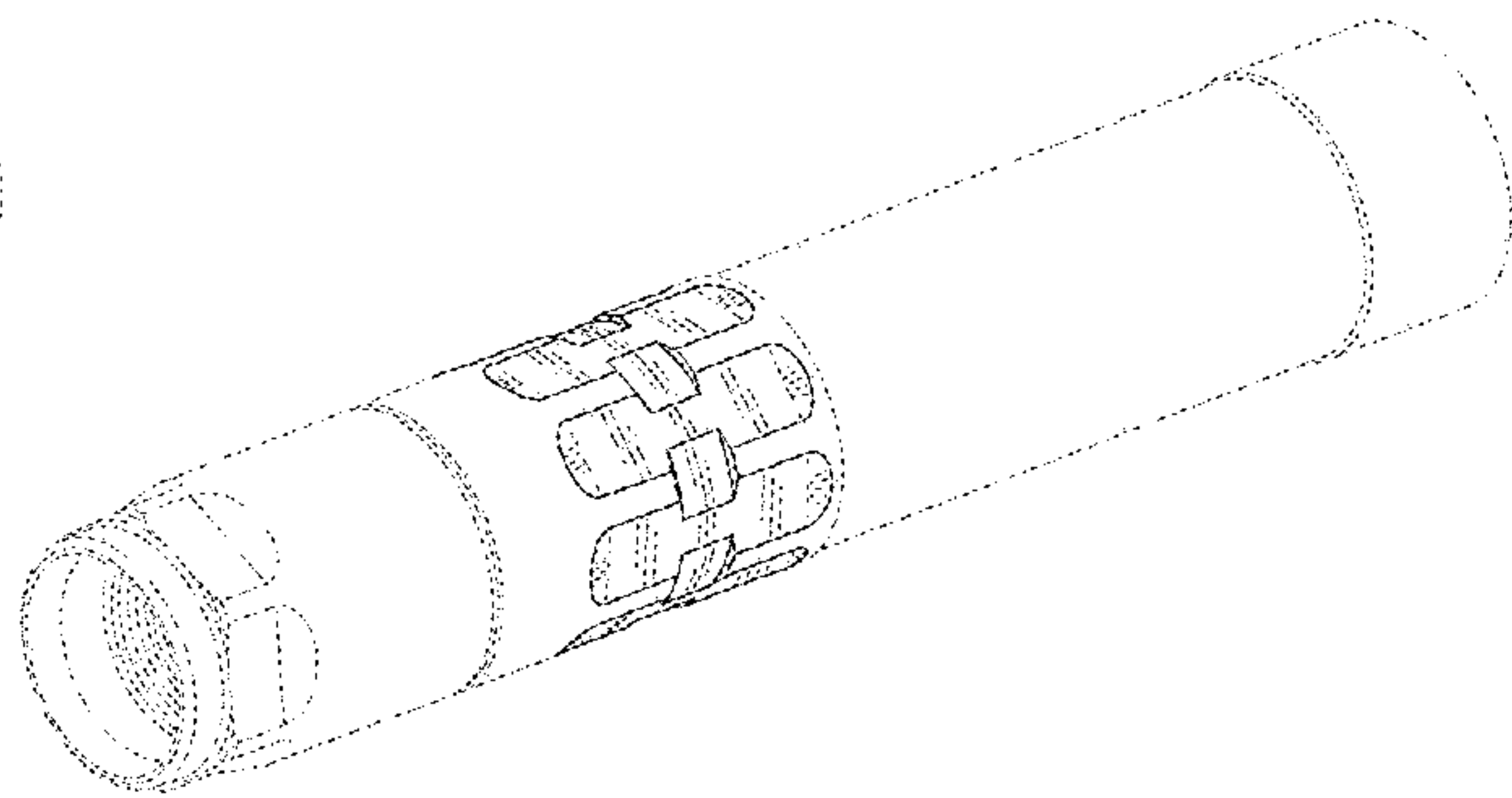
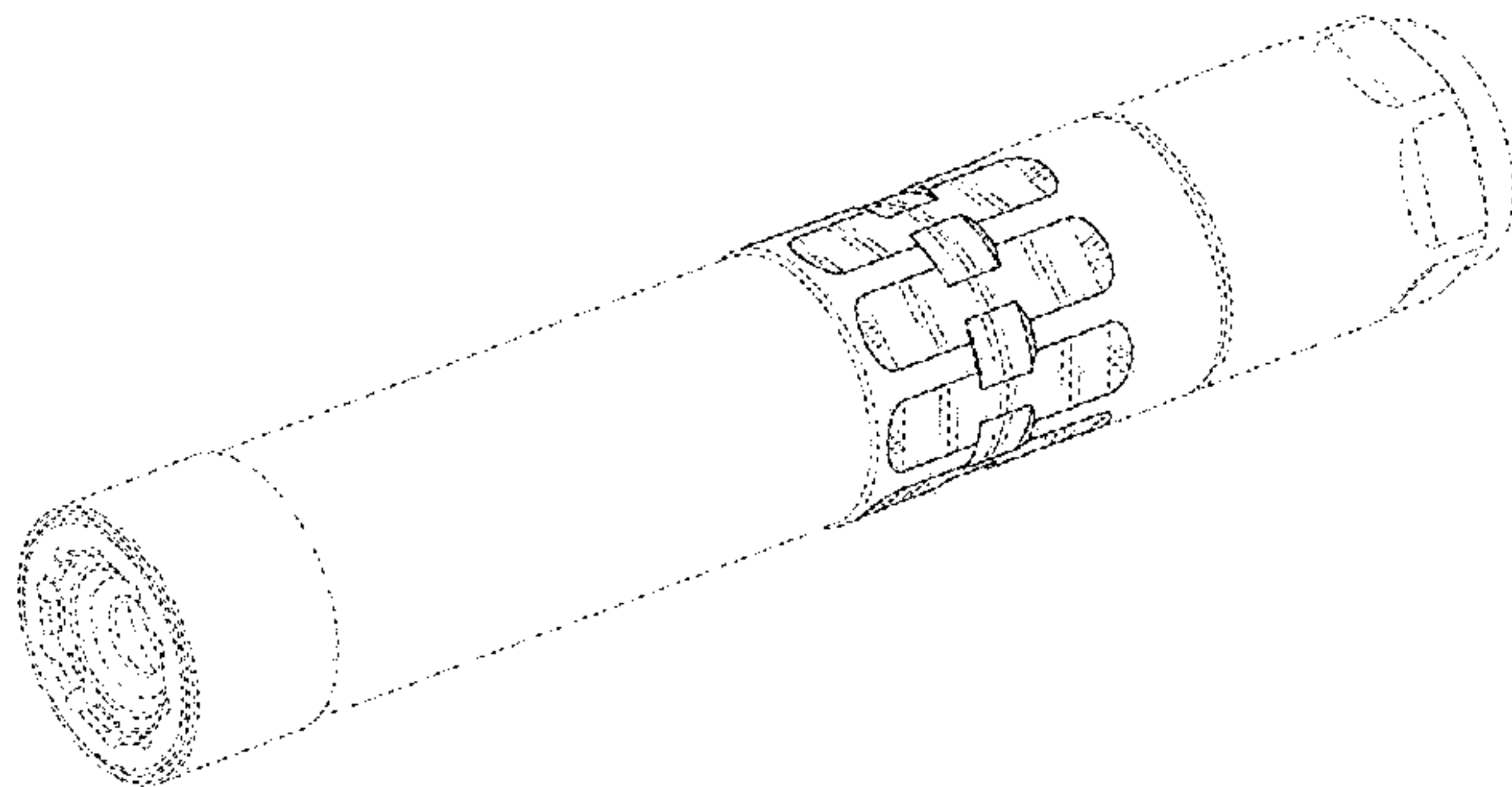
(57) **CLAIM**

The ornamental design for a silencer tube body, as shown and described.

DESCRIPTION

FIG. 1 is a front isometric view of the silencer tube body of the present invention;
FIG. 2 is a second isometric view thereof;
FIG. 3 is a top plan view thereof;
FIG. 4 is a bottom plan view thereof;
FIG. 5 is a right-side view thereof;
FIG. 6 is a left-side view thereof;
FIG. 7 is a front view thereof; and,
FIG. 8 is a rear view thereof.
The broken lines are for purposes of illustrating portions of the silencer tube body that form no part of the claimed design.

1 Claim, 8 Drawing Sheets



(56)

References Cited

U.S. PATENT DOCUMENTS

10,794,651 B2 * 10/2020 Crown F41A 21/30
D910,139 S * 2/2021 Chin D22/108
11,035,637 B2 * 6/2021 Barney F41A 21/30
2018/0172383 A1 * 6/2018 James F41A 21/30
2021/0172694 A1 * 6/2021 Reel F41A 21/325
2021/0389076 A1 * 12/2021 Turnblom F41A 21/30

OTHER PUBLICATIONS

Griffin Armament. "Griffin Armament–Optimus® 9mm Universal
Suppressor (Gen 2)". Posted: Jul. 18, 2020 [visited: Jan. 10, 2022]
URL: <https://www.youtube.com/watch?v=snTZyTbid7Q> (Year: 2020).*

* cited by examiner

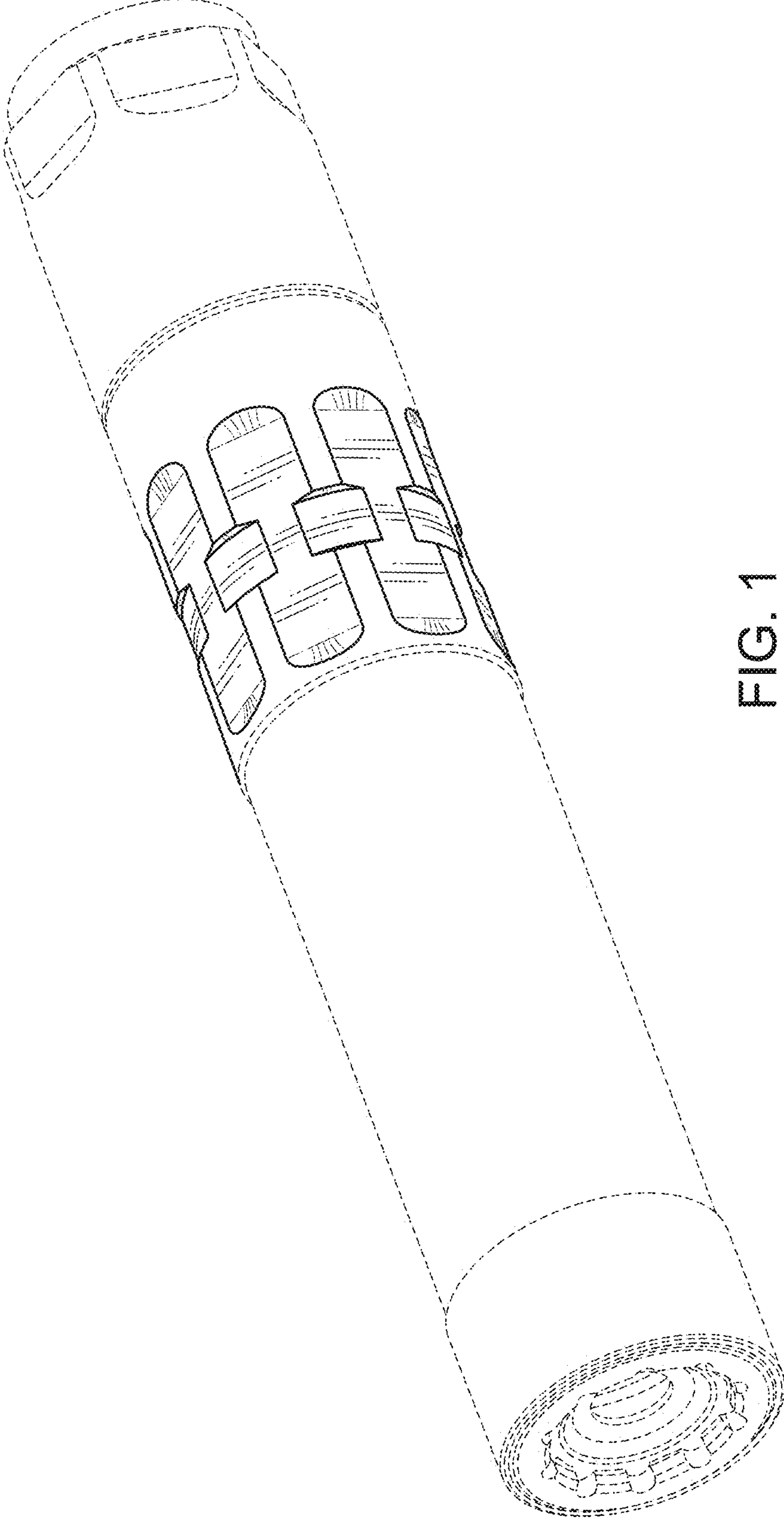


FIG. 1

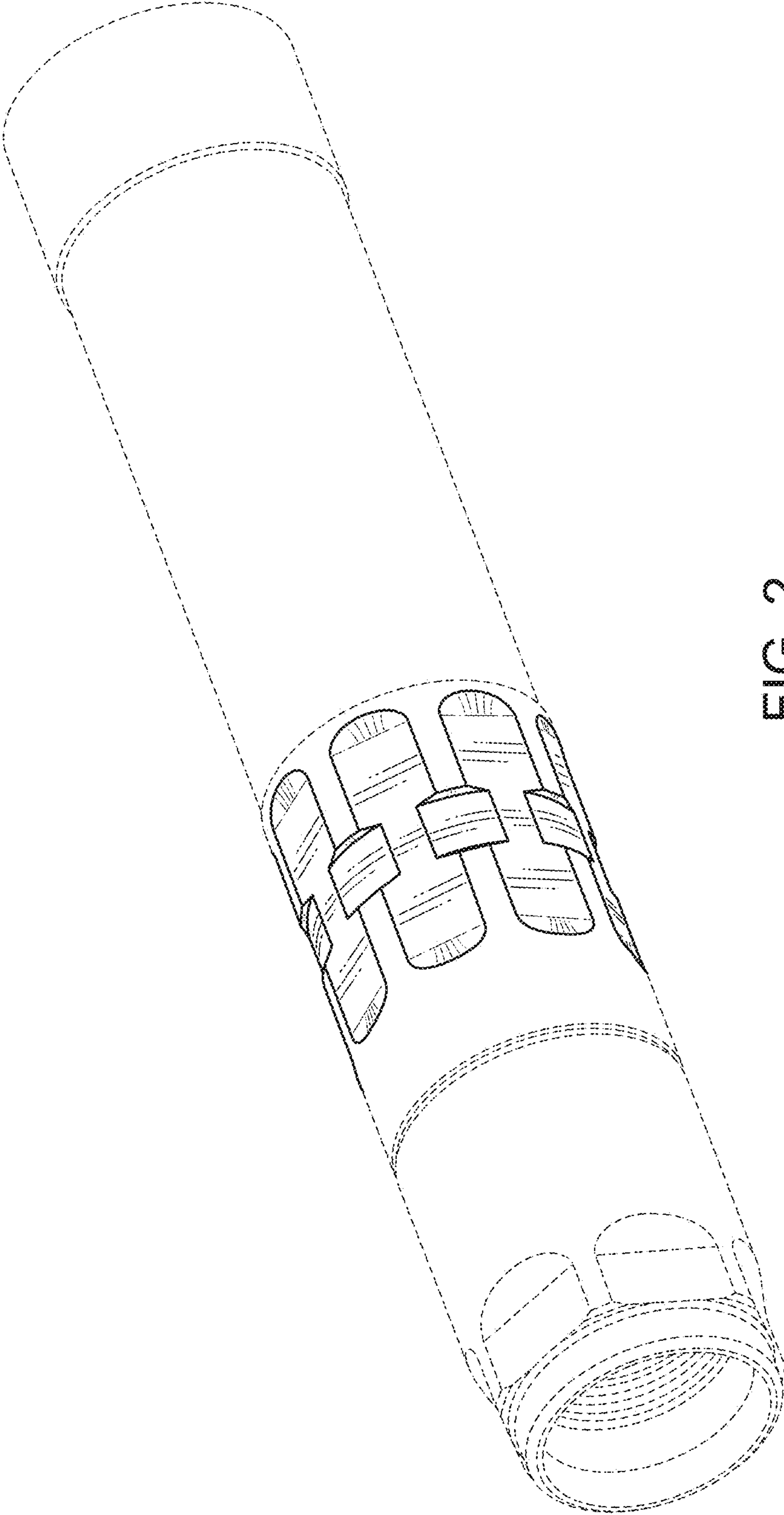


FIG. 2

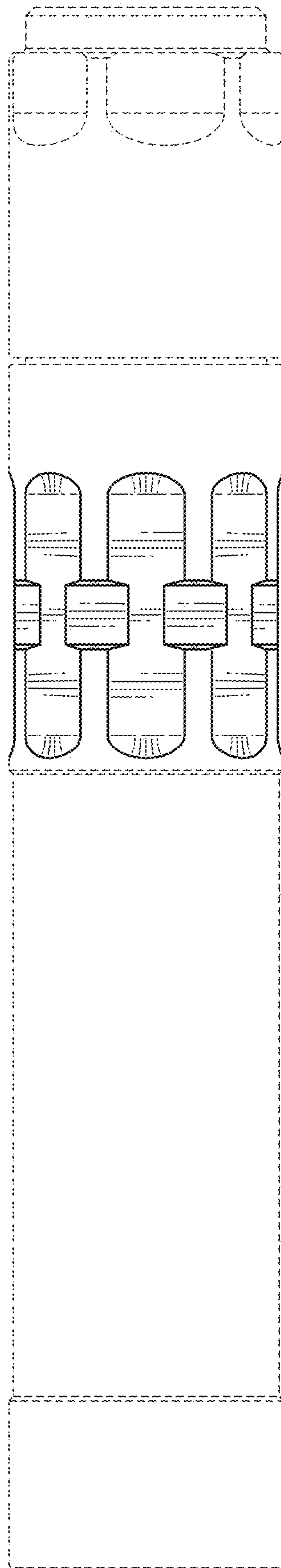


FIG. 3

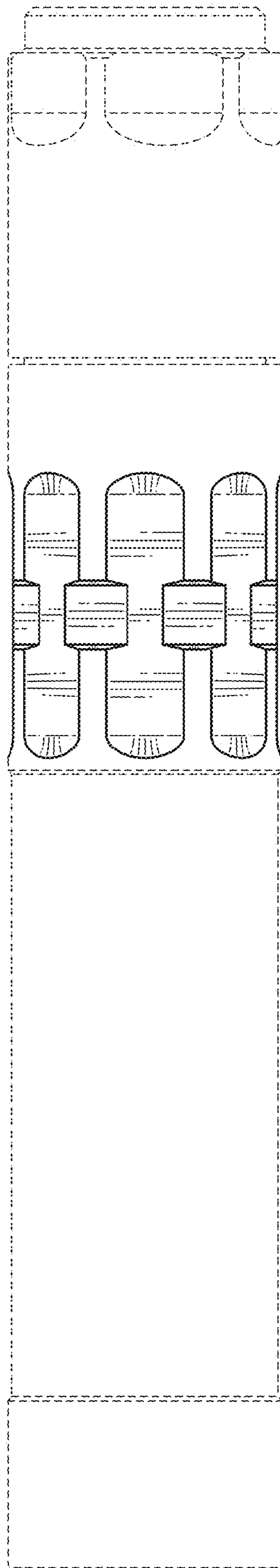


FIG. 4

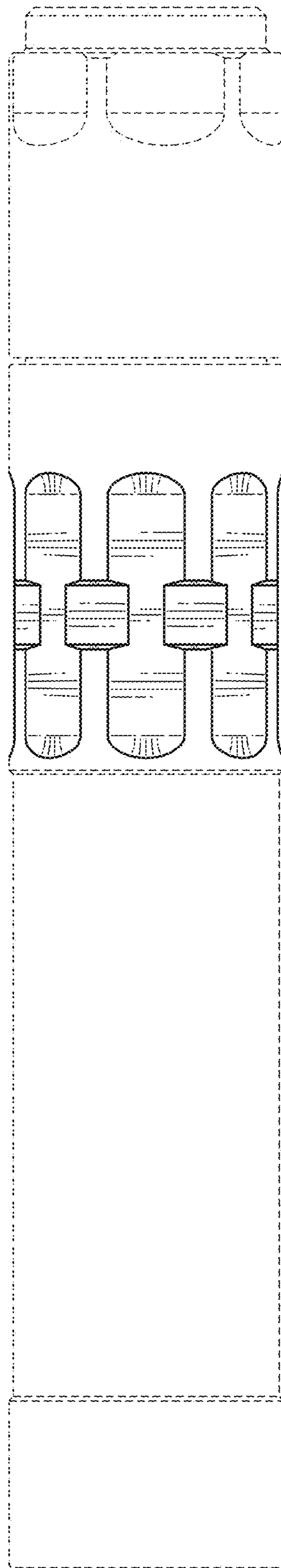


FIG. 5

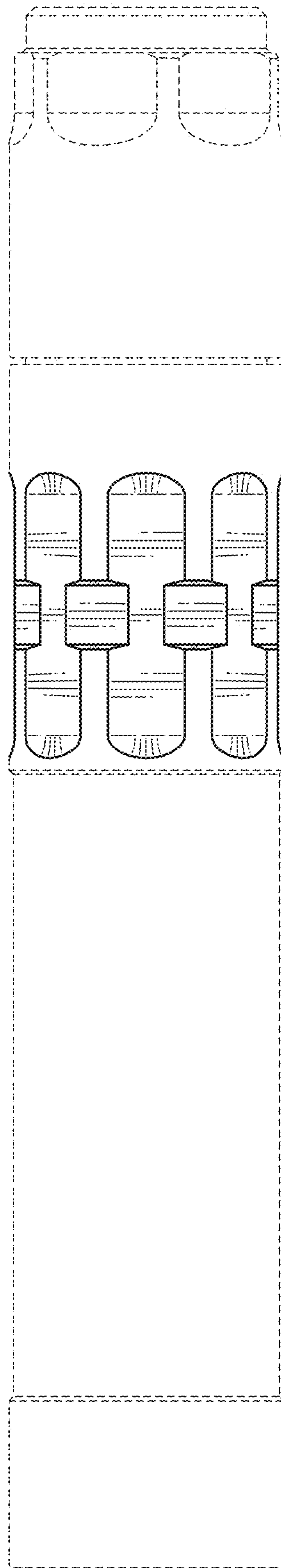


FIG. 6

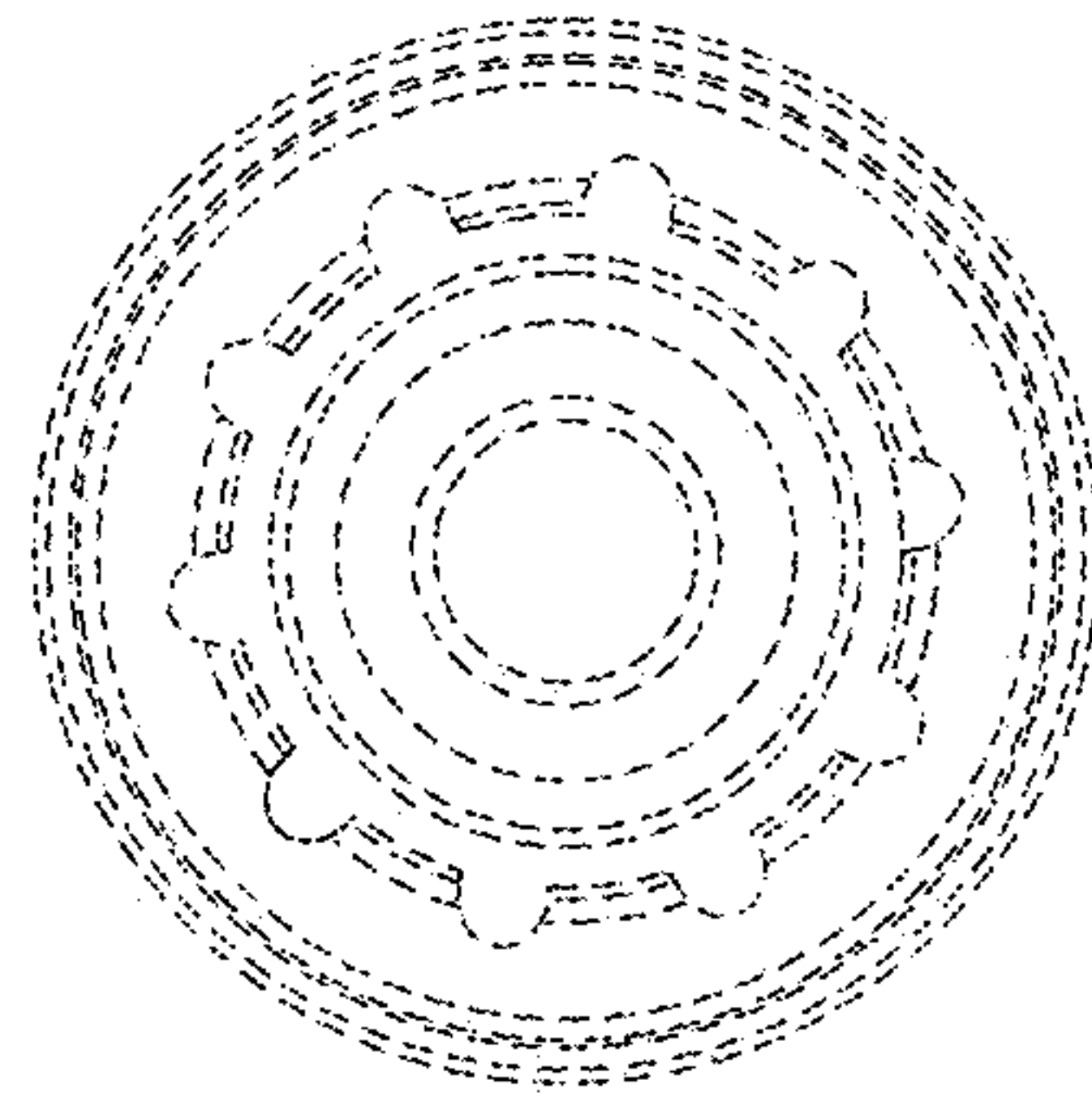


FIG. 7

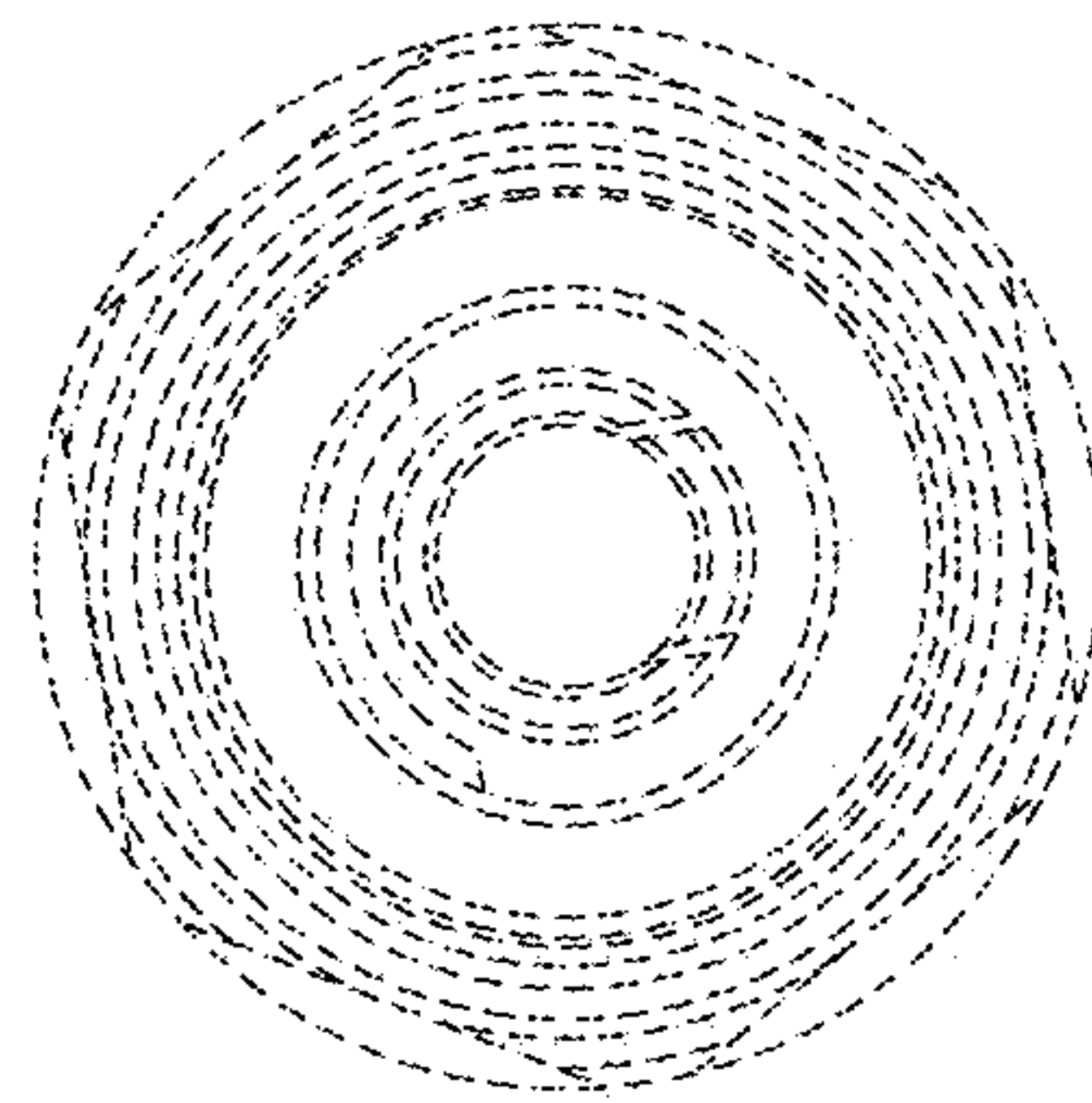


FIG. 8