



US00D963097S

(12) **United States Design Patent** (10) **Patent No.:** **US D963,097 S**  
**Lin** (45) **Date of Patent:** **\*\* Sep. 6, 2022**

(54) **INFLATABLE FLOAT**

D900,266 S \* 10/2020 Stoter ..... B63B 5/24  
D21/809

(71) Applicant: **Jian Lin**, Shenzhen (CN)

D913,188 S 3/2021 Builder et al.  
D919,730 S \* 5/2021 Goldman ..... D21/803

(72) Inventor: **Jian Lin**, Shenzhen (CN)

\* cited by examiner

(\*\*) Term: **15 Years**

*Primary Examiner* — Zenia I Bennett

(21) Appl. No.: **29/797,735**

(57) **CLAIM**

(22) Filed: **Jul. 2, 2021**

The ornamental design for an inflatable float, as shown and described.

(51) **LOC (13) Cl.** ..... **21-02**

**DESCRIPTION**

(52) **U.S. Cl.**

USPC ..... **D21/808**

(58) **Field of Classification Search**

USPC ..... D21/801, 803, 808, 809; D6/595, 596,  
D6/597, 598, 601

CPC ..... B63B 32/51; B63B 32/52; B63B 32/54;  
B63B 35/58; B63B 35/607; B63B 35/613;  
B63B 35/62

See application file for complete search history.

FIG. 1 is a rear and top perspective view of an inflatable float, showing my new design;  
FIG. 2 is a front and bottom perspective view thereof;  
FIG. 3 is a front elevation view thereof;  
FIG. 4 is a rear elevation view thereof;  
FIG. 5 is a left side elevation view thereof;  
FIG. 6 is a right side elevation view thereof;  
FIG. 7 is a top plan view thereof;  
FIG. 8 is a bottom plan view thereof; and,  
FIG. 9 is an enlarged view of a portion labeled, 'FIG. 9' in FIG. 1.

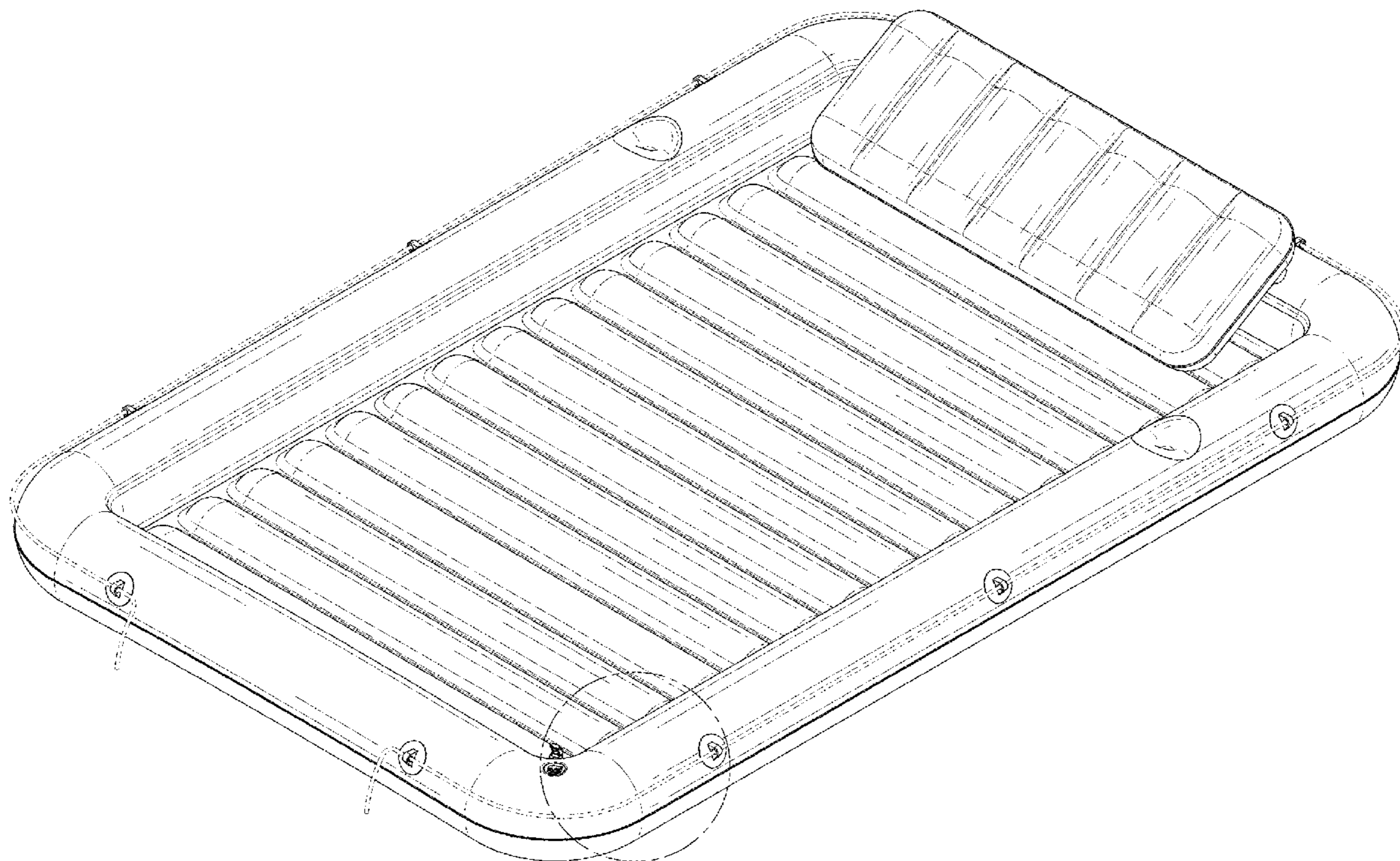
The broken lines in the figures illustrate portions of the inflatable float that form no part of the claimed design. The dash dot dash lines in FIGS. 1 and 9 are for the purpose of depicting the boundary lines of the enlarged view and form no part of the claimed design.

(56) **References Cited**

U.S. PATENT DOCUMENTS

D306,472 S \* 3/1990 Scheurer ..... D6/382  
D306,474 S \* 3/1990 Scheurer ..... D6/382  
D315,187 S \* 3/1991 Thomas ..... D6/596  
D315,189 S \* 3/1991 Thomas ..... D6/596  
D861,816 S \* 10/2019 Hsu ..... D21/803  
D862,626 S \* 10/2019 Hsu ..... D21/808

**1 Claim, 9 Drawing Sheets**



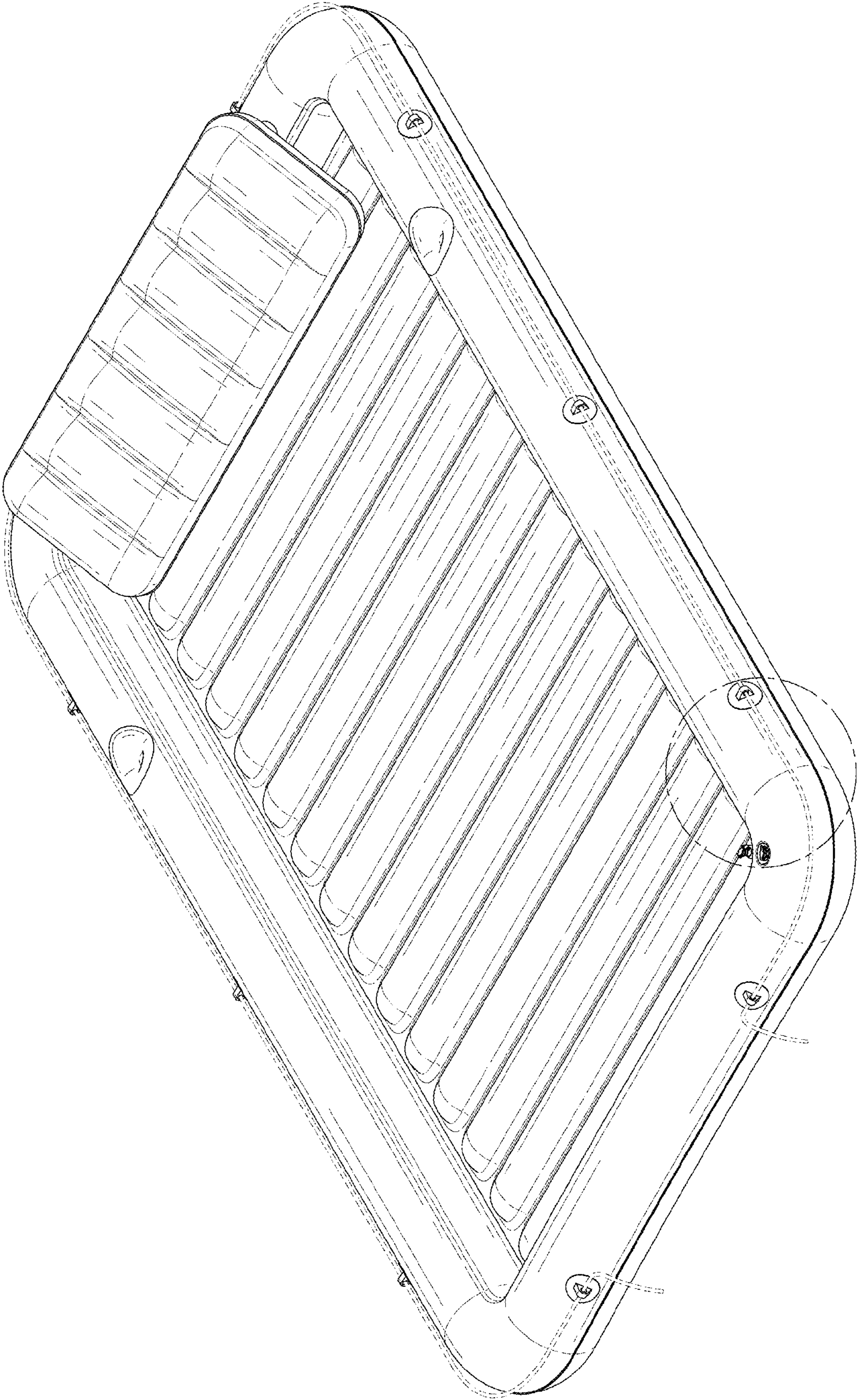


FIG. 1

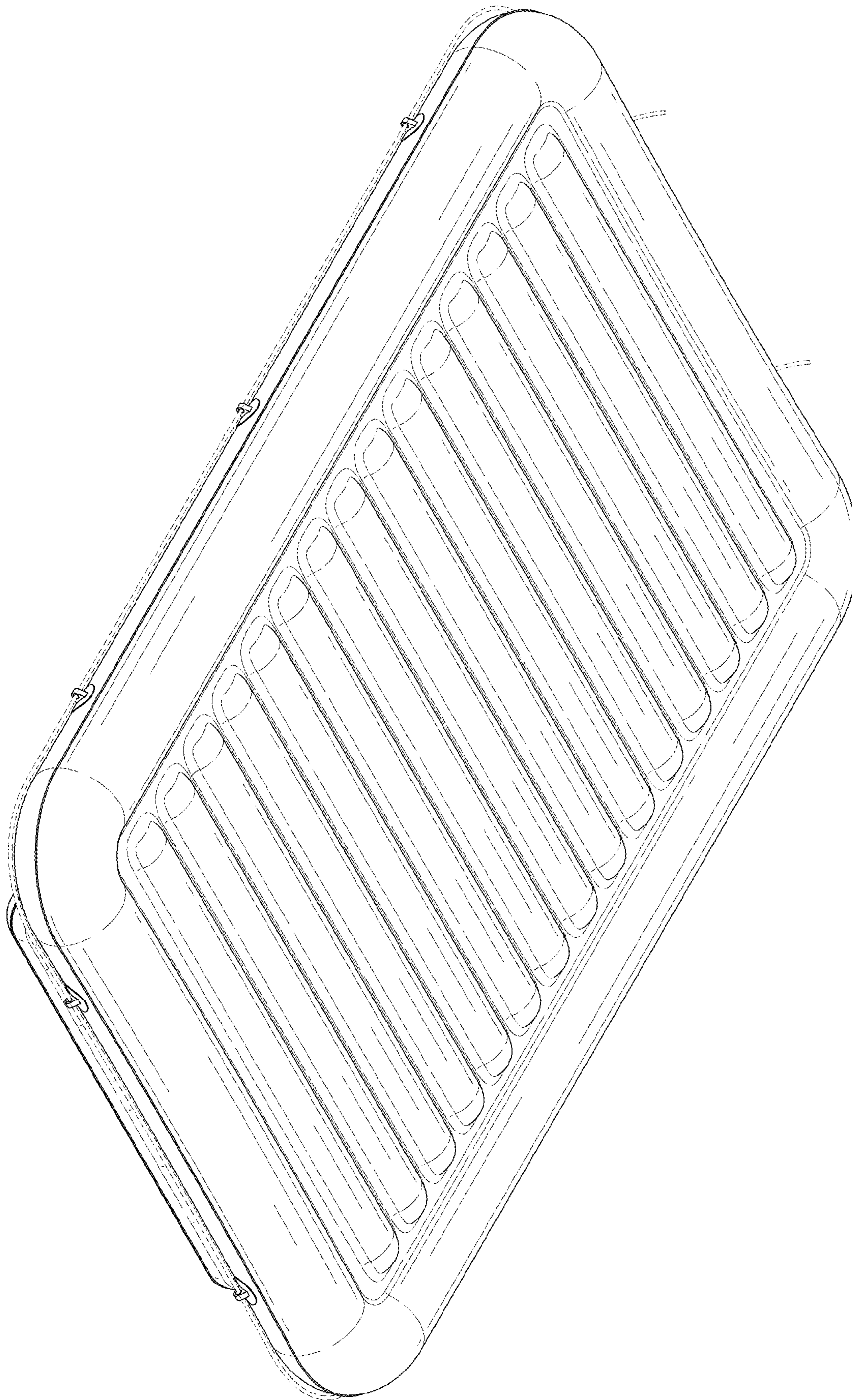


FIG. 2

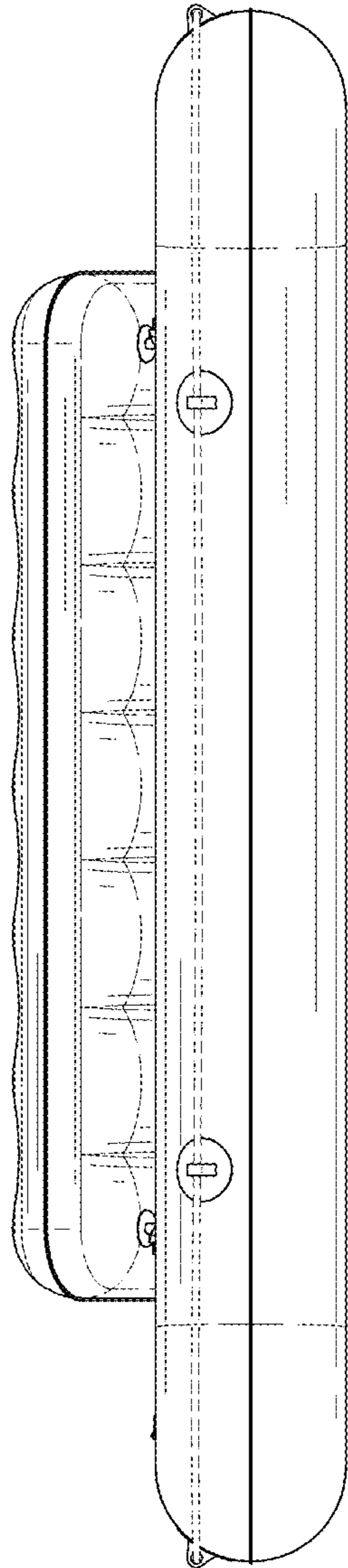


FIG. 3

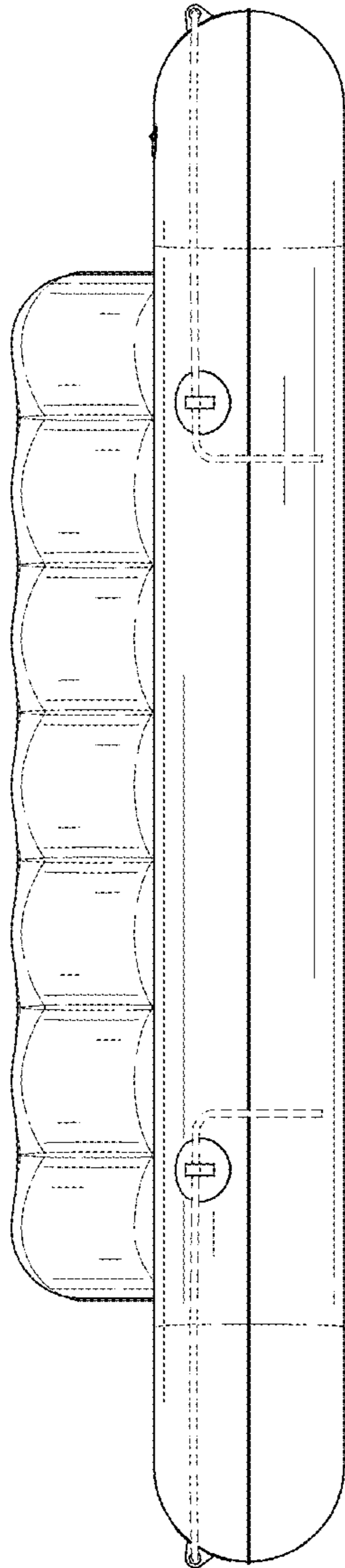


FIG. 4

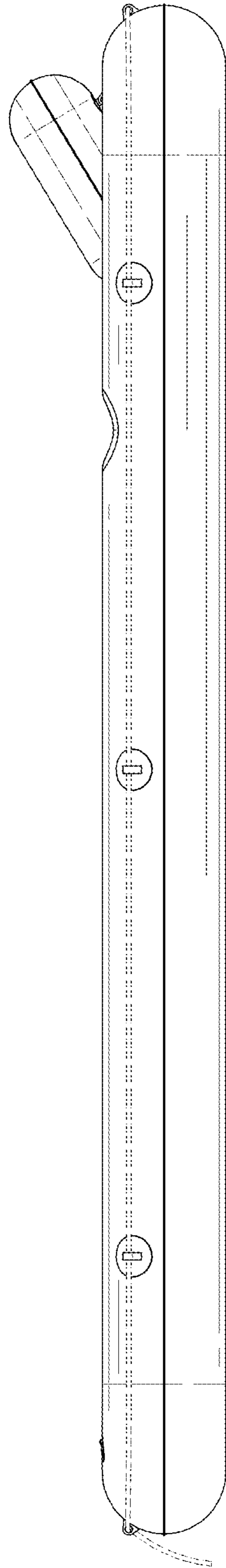


FIG. 5

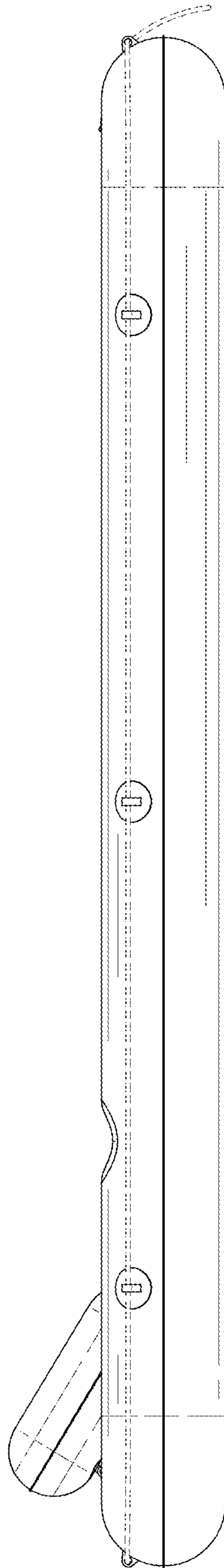


FIG. 6

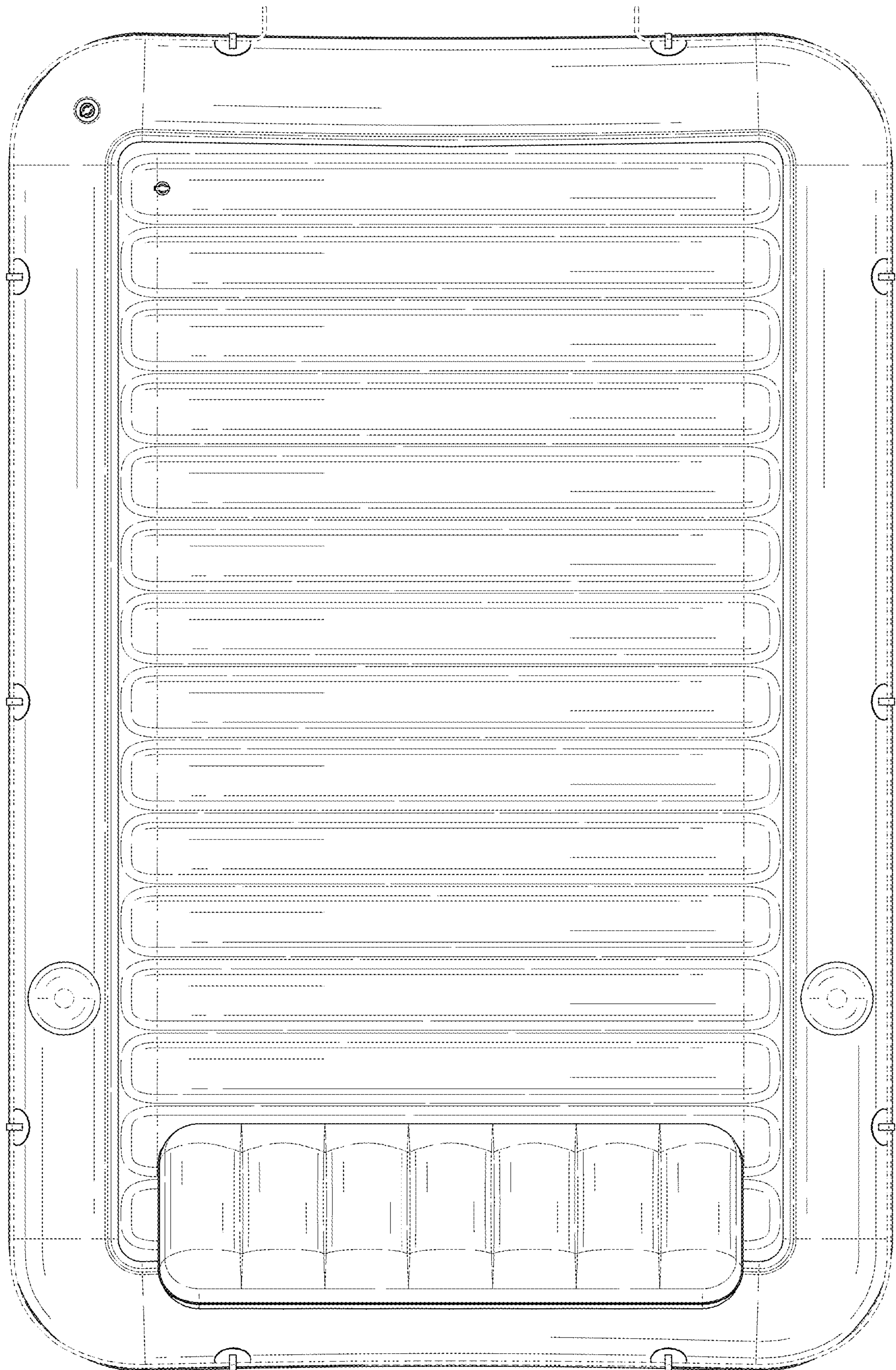


FIG. 7



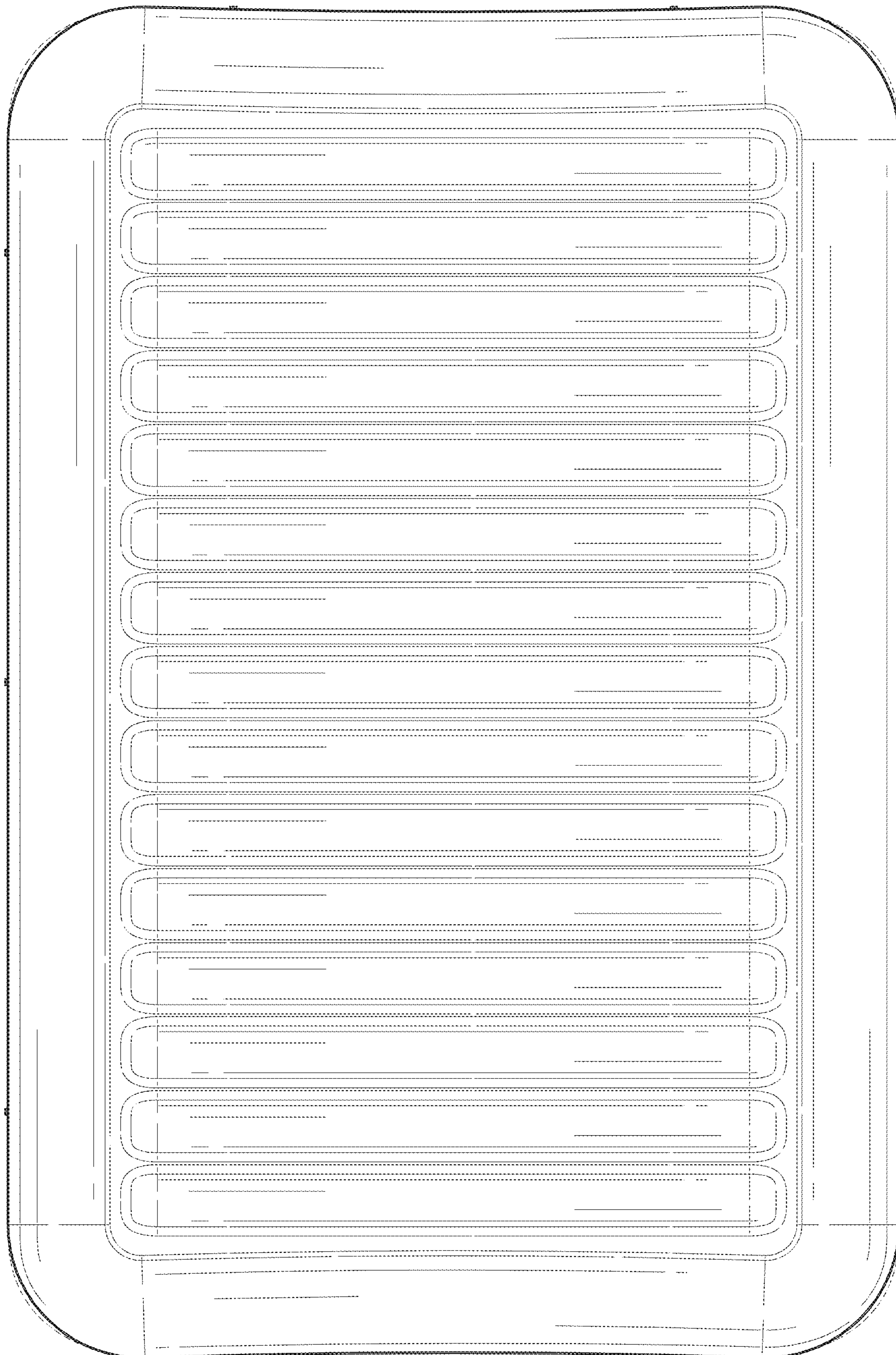


FIG. 8

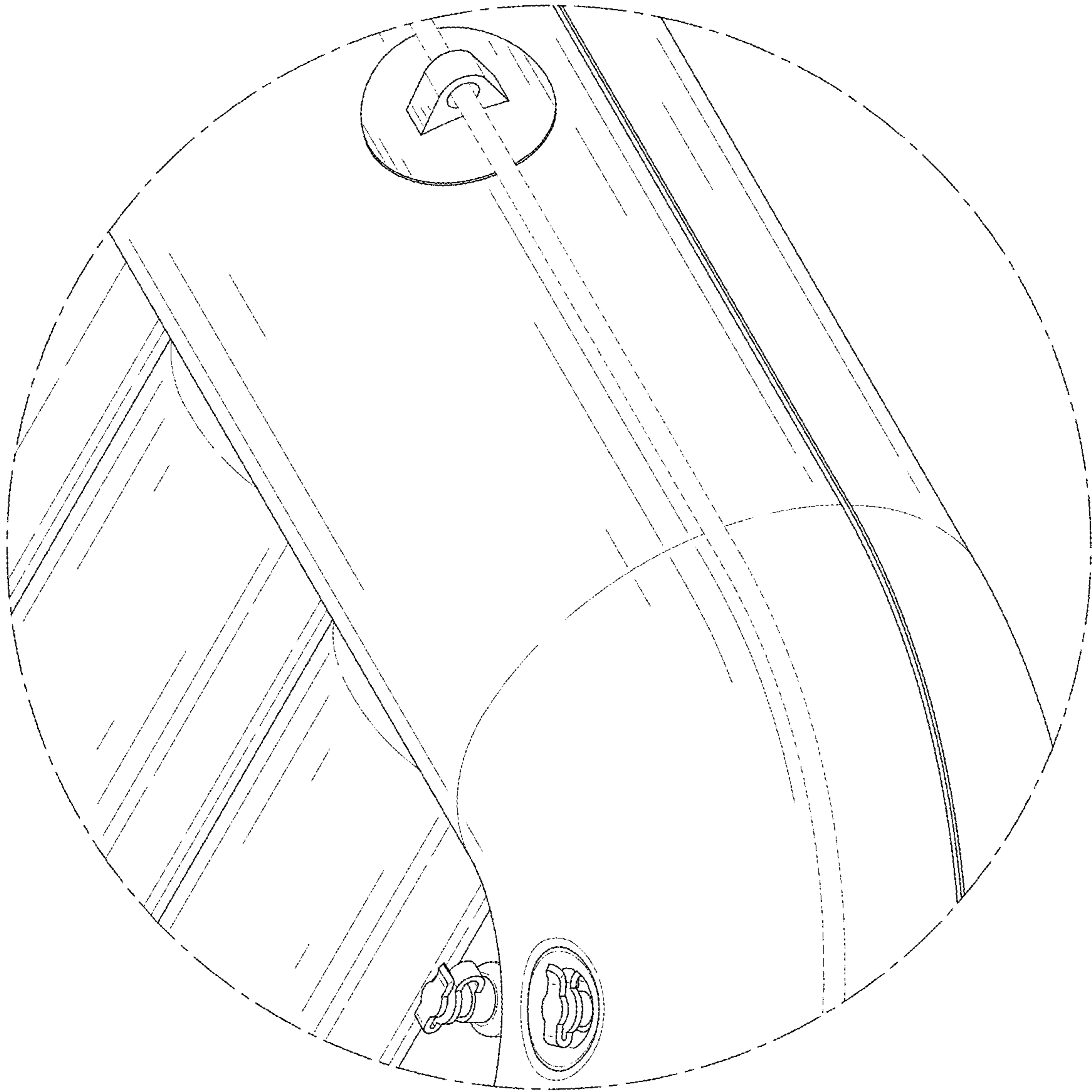


FIG. 9



US00D963097C1

(12) **EX PARTE REEXAMINATION CERTIFICATE** (12740th)  
**United States Patent**  
**Lin**

(10) **Number:** **US D963,097 C1**  
(45) **Certificate Issued:** **Oct. 18, 2024**

(54) **INFLATABLE FLOAT**

(71) Applicant: **Jian Lin**, Shenzhen (CN)

(72) Inventor: **Jian Lin**, Shenzhen (CN)

**Reexamination Request:**

No. 90/015,295, Sep. 7, 2023

**Reexamination Certificate for:**

Patent No.: **Des. 963,097**

Issued: **Sep. 6, 2022**

Appl. No.: **29/797,735**

Filed: **Jul. 2, 2021**

(51) **LOC (14) Cl.** ..... **21-02**

(52) **U.S. Cl.**

USPC ..... **D21/808**

(58) **Field of Classification Search**

USPC ..... D21/801, 803, 808, 809; D6/595, 596,  
D6/597, 598, 601

CPC ..... B63B 32/51; B63B 35/58; B63B 35/607;  
B63B 35/613; B63B 35/62

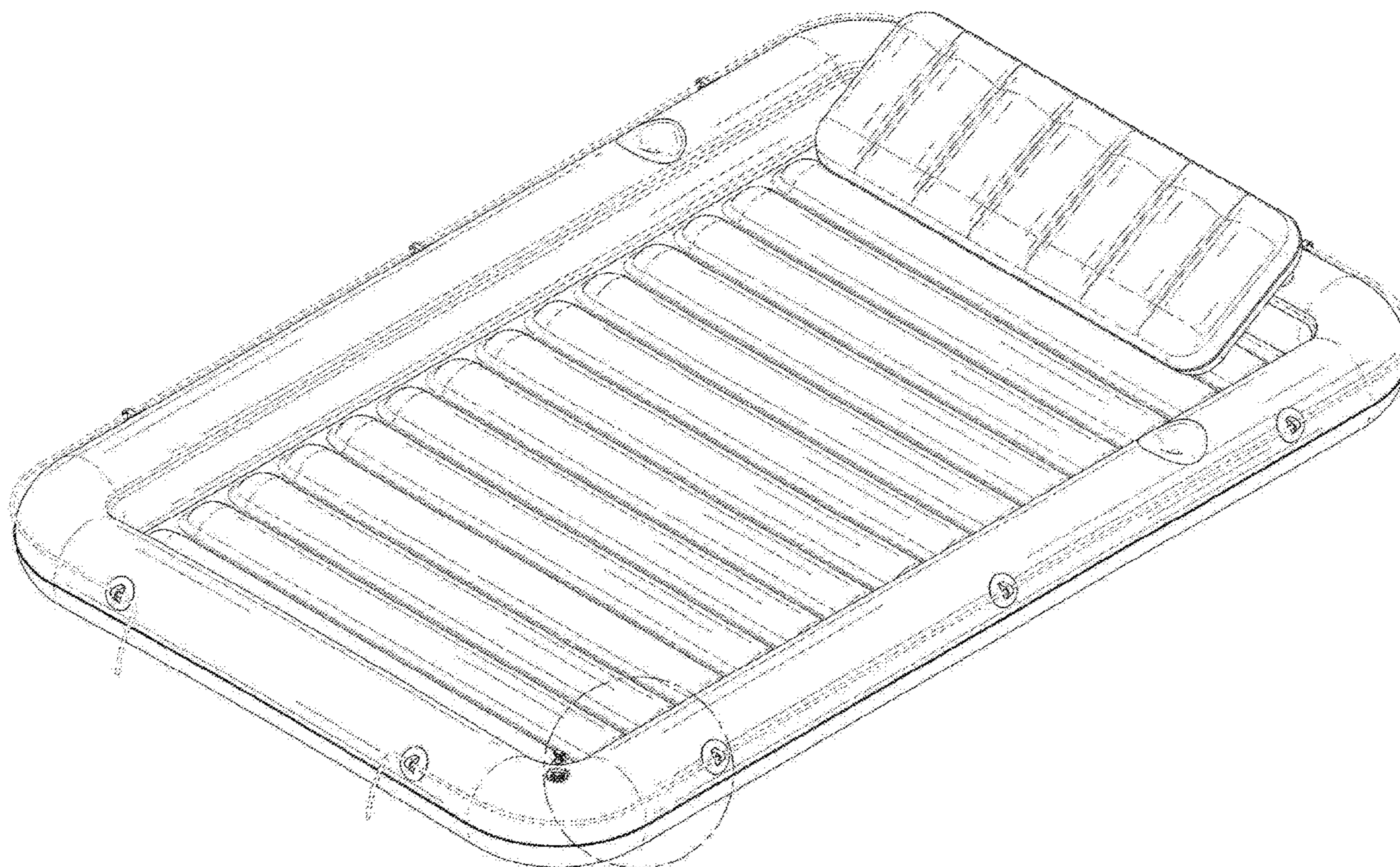
See application file for complete search history.

(56)

**References Cited**

To view the complete listing of prior art documents cited during the proceeding for Reexamination Control Number 90/015,295, please refer to the USPTO's Patent Electronic System.

*Primary Examiner* — Darlington Ly



**1**  
**EX PARTE**  
**REEXAMINATION CERTIFICATE**

THE PATENT IS HEREBY AMENDED AS  
INDICATED BELOW.

5

AS A RESULT OF REEXAMINATION, IT HAS BEEN  
DETERMINED THAT:

The claim 1 is cancelled.

10

\* \* \* \* \*