



US00D963094S

(12) **United States Design Patent**
Wang

(10) **Patent No.:** **US D963,094 S**

(45) **Date of Patent:** **** Sep. 6, 2022**

(54) **FOLDABLE BALANCE SCOOTER**

(71) Applicant: **ZHEJIANG RAYMOND WAY ELECTRONIC TECHNOLOGY CO., LTD.**, Jinhua (CN)

(72) Inventor: **Junjie Wang**, Yongkang (CN)

(73) Assignee: **ZHEJIANG RAYMOND WAY ELECTRONIC TECHNOLOGY CO., LTD.**, Jinhua (CN)

(**) Term: **15 Years**

(21) Appl. No.: **29/764,382**

(22) Filed: **Dec. 30, 2020**

(51) **LOC (13) Cl.** **21-02**

(52) **U.S. Cl.**
USPC **D21/763**

(58) **Field of Classification Search**
USPC D21/419, 421, 423, 426, 760, 763, 765, D21/771; D12/1
CPC A63C 17/01; A63C 17/12; A63C 2203/00; A63C 2203/011; A63C 2203/012; A63C 2203/013; A63C 2203/40; A63C 2203/52; B62D 51/02; B62K 2202/00; B62K 2207/00; B62K 2207/02; B62K 2207/04
See application file for complete search history.

(56) **References Cited**

U.S. PATENT DOCUMENTS

D779,375 S * 2/2017 Zeng D12/1
D785,114 S * 4/2017 Ying D21/760
D808,858 S * 1/2018 Wang D12/1
D808,859 S * 1/2018 Wang D12/1

D816,777 S * 5/2018 Yang D21/760
D818,049 S * 5/2018 Yang D21/760
9,956,473 B2 * 5/2018 Chiu A63C 17/015
D820,157 S * 6/2018 Chen D21/760
D839,132 S * 1/2019 Cuban D21/760
D842,167 S * 3/2019 Ying D21/760
D850,326 S * 6/2019 Ying D12/1
D882,007 S * 4/2020 Ying D21/763
D891,548 S * 7/2020 Wang D21/763
D897,236 S * 9/2020 Xu D12/1
11,077,909 B2 * 8/2021 Wang B62K 11/007
2019/0256164 A1 * 8/2019 Yang B62J 50/22
2022/0161886 A1 * 5/2022 Wang B62D 11/006

* cited by examiner

Primary Examiner — Cynthia M. Chin

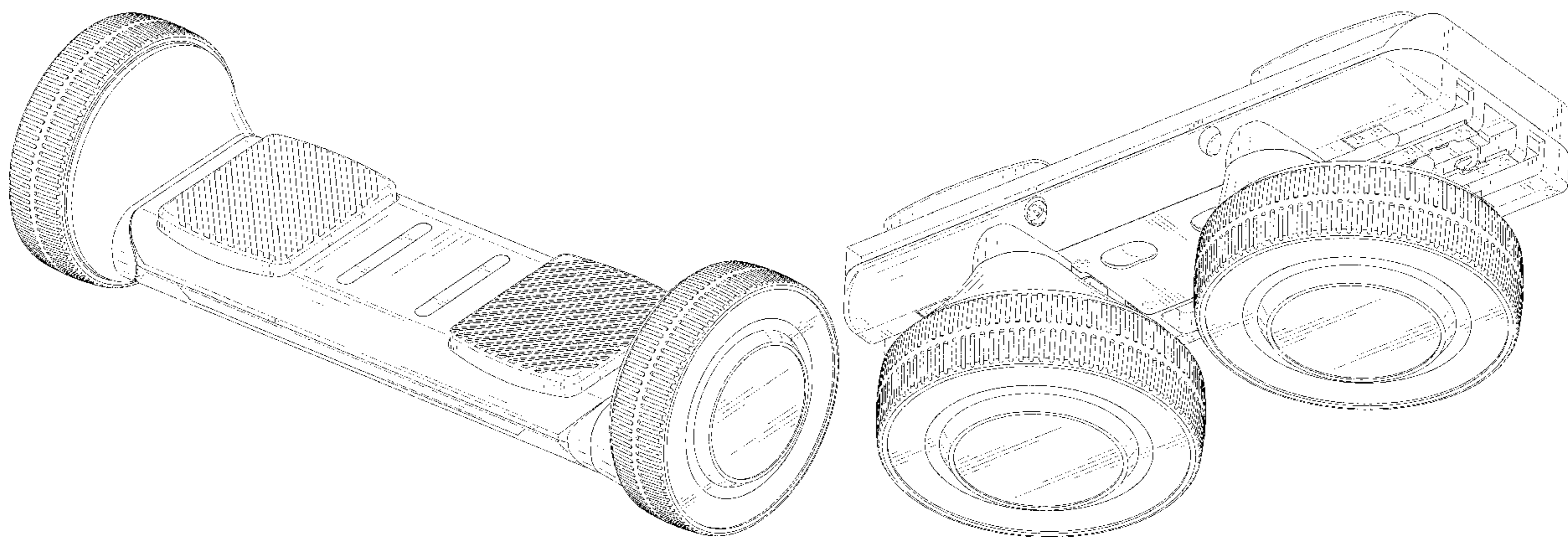
(57) **CLAIM**

The ornamental design for a foldable balance scooter, as shown and described.

DESCRIPTION

FIG. 1 is a perspective view of a foldable balance scooter showing my new design;
FIG. 2 is another perspective view thereof;
FIG. 3 is a front elevational view thereof;
FIG. 4 is a rear elevational view thereof;
FIG. 5 is a left side elevational view thereof;
FIG. 6 is a right side elevational view thereof;
FIG. 7 is a top plan view thereof;
FIG. 8 is a bottom plan view thereof; and,
FIG. 9 is a perspective view of the foldable balance scooter where the foldable balance scooter is in a folded state.
The broken lines in the drawings depict portions of the foldable balance scooter that form no part of the claimed design.

1 Claim, 9 Drawing Sheets



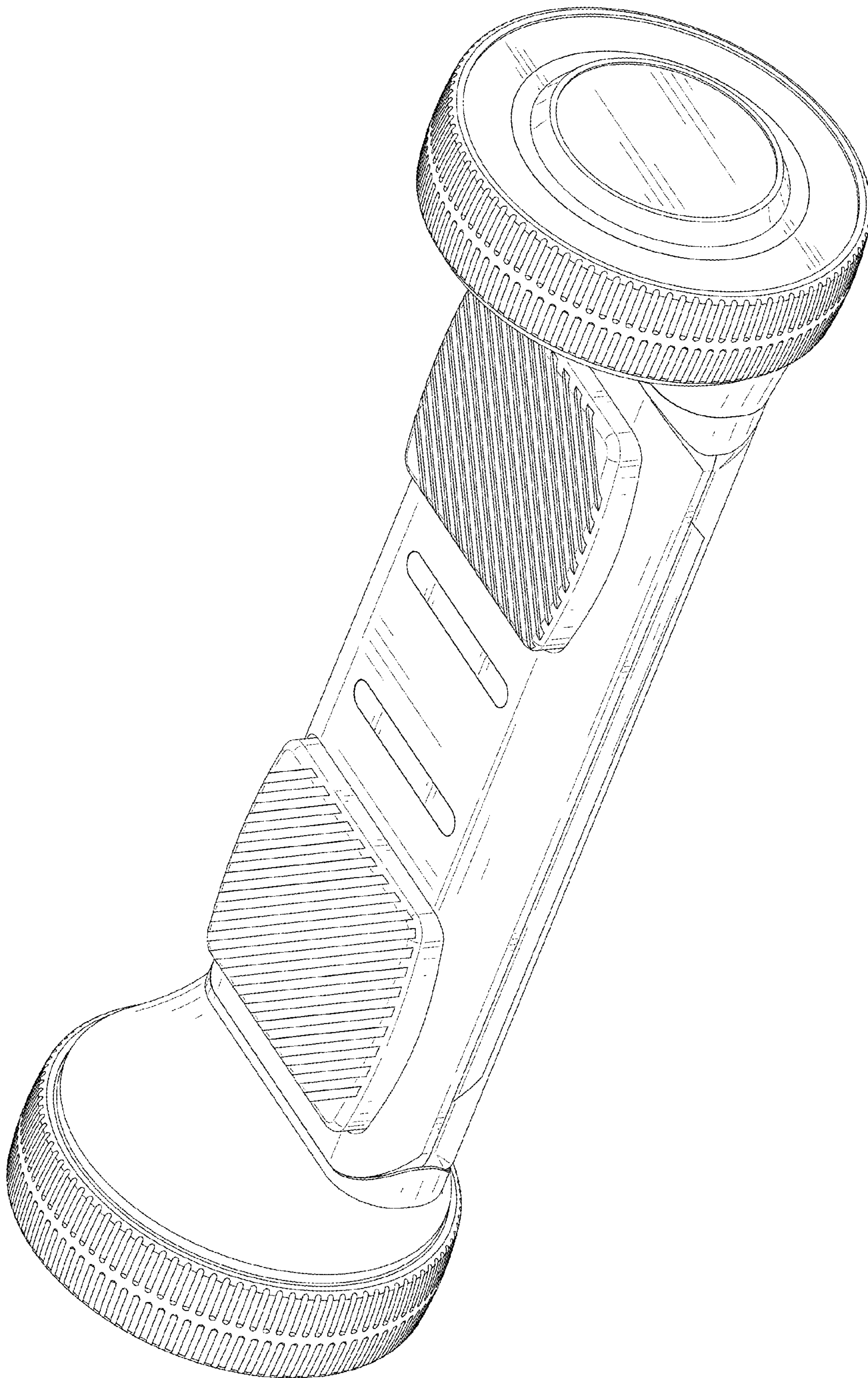


FIG. 1

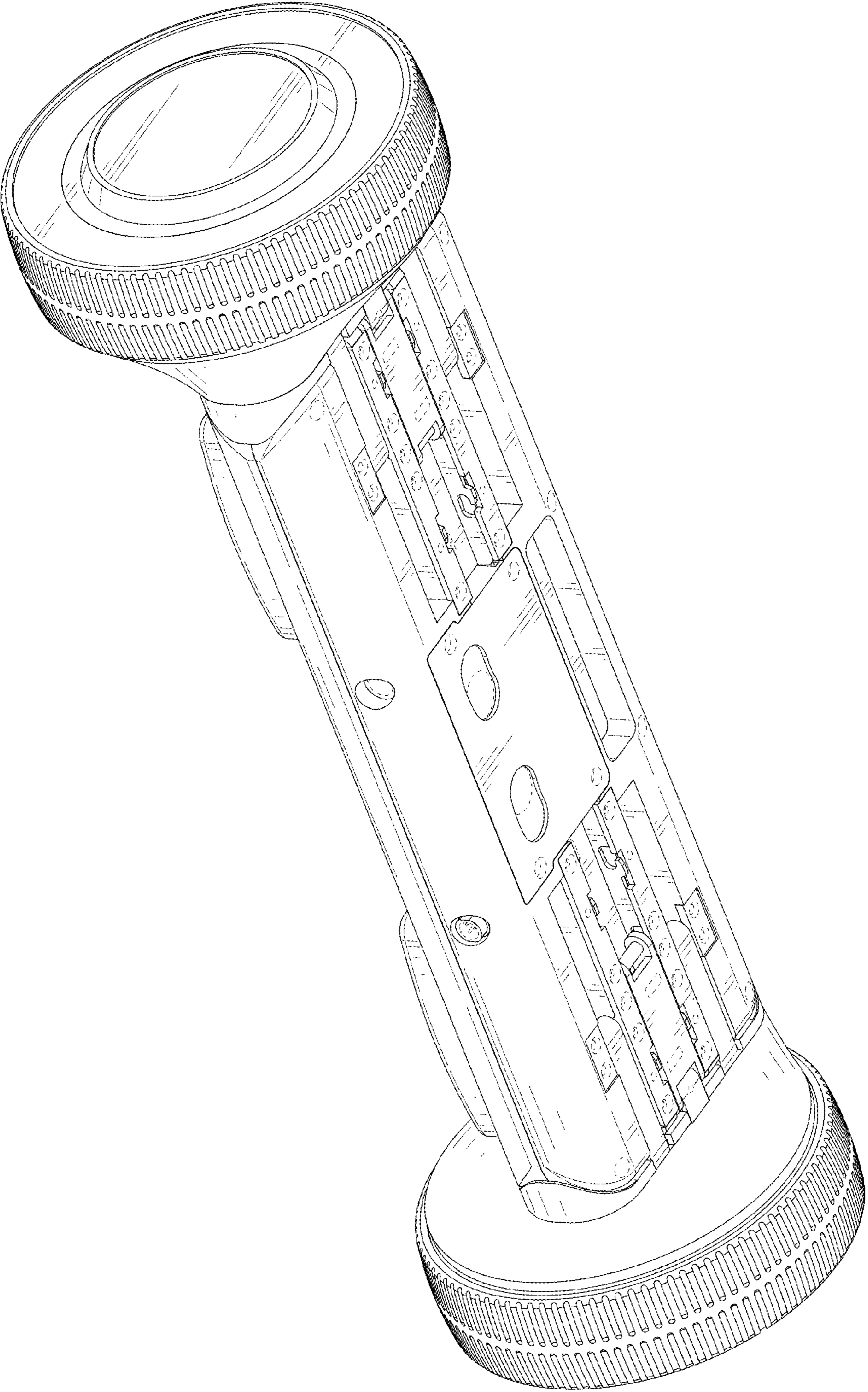


FIG. 2

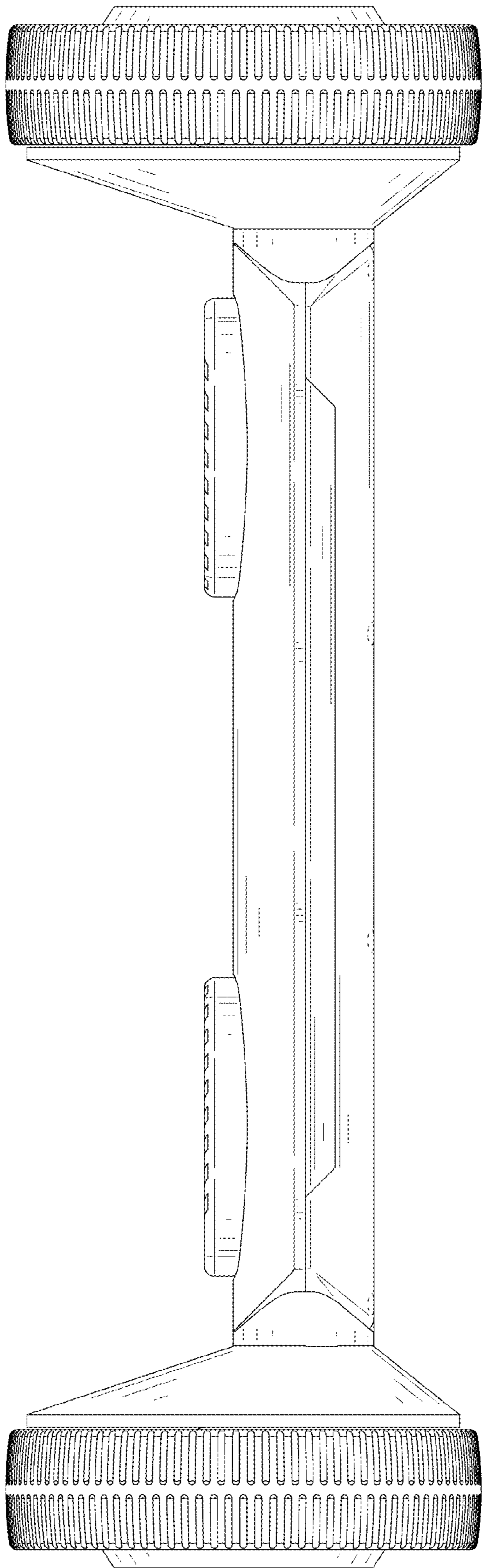


FIG. 3

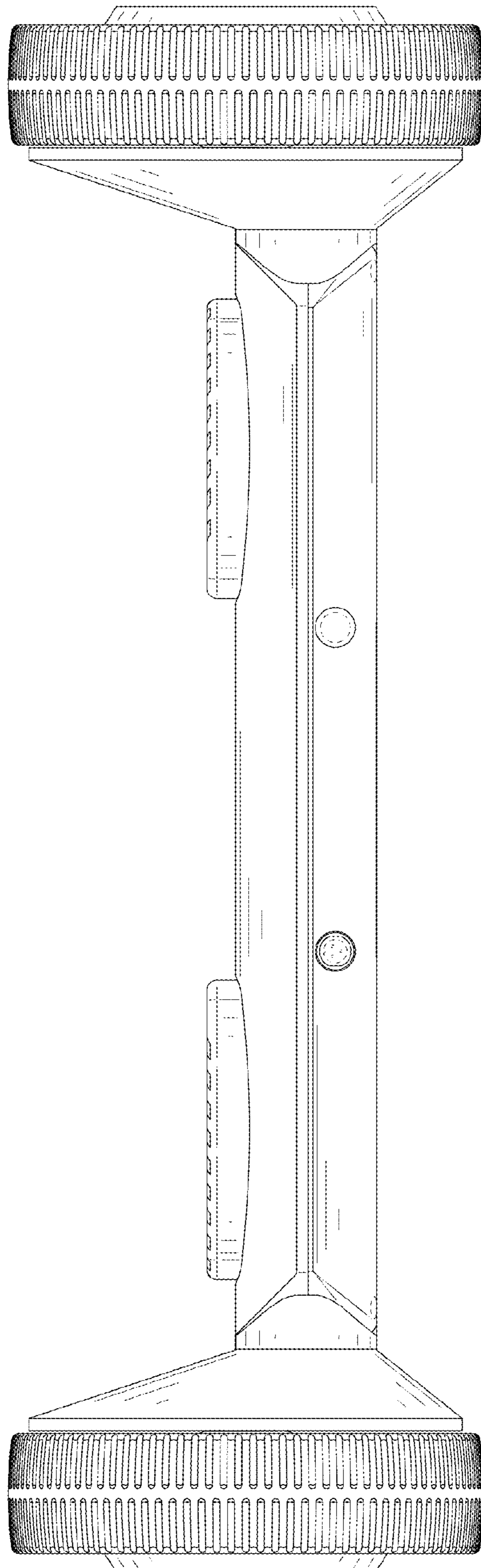


FIG. 4

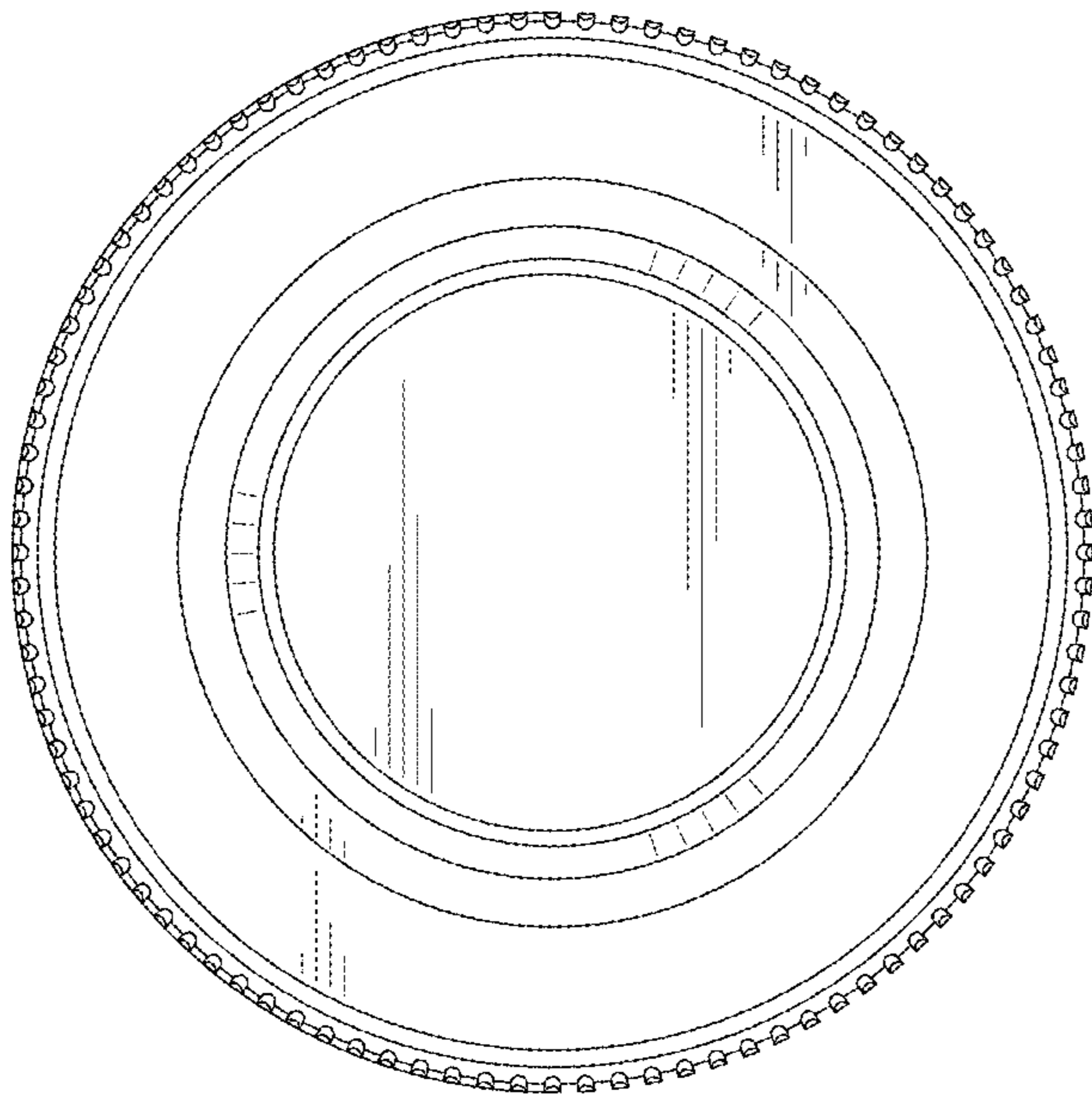


FIG. 5

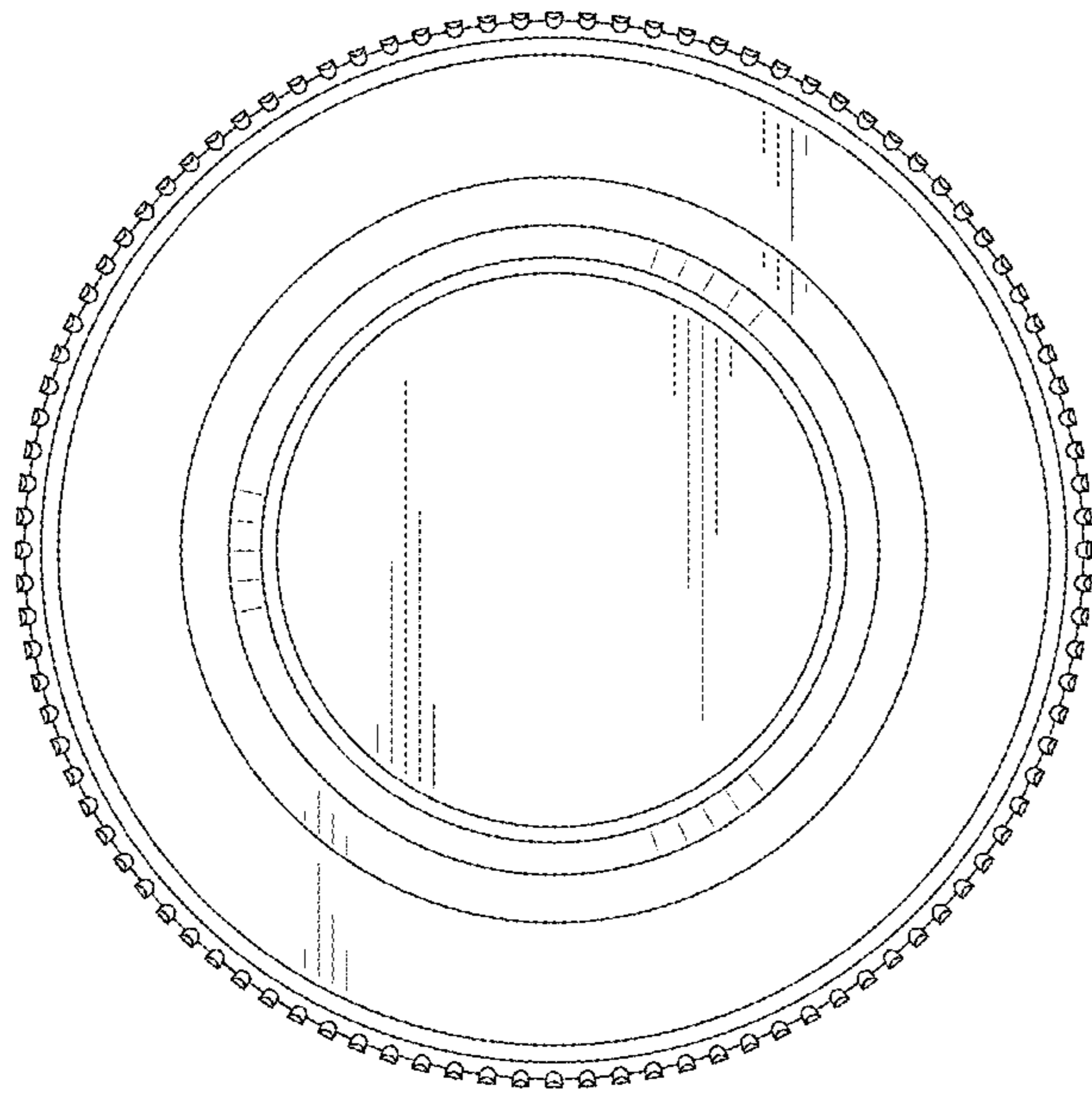


FIG. 6

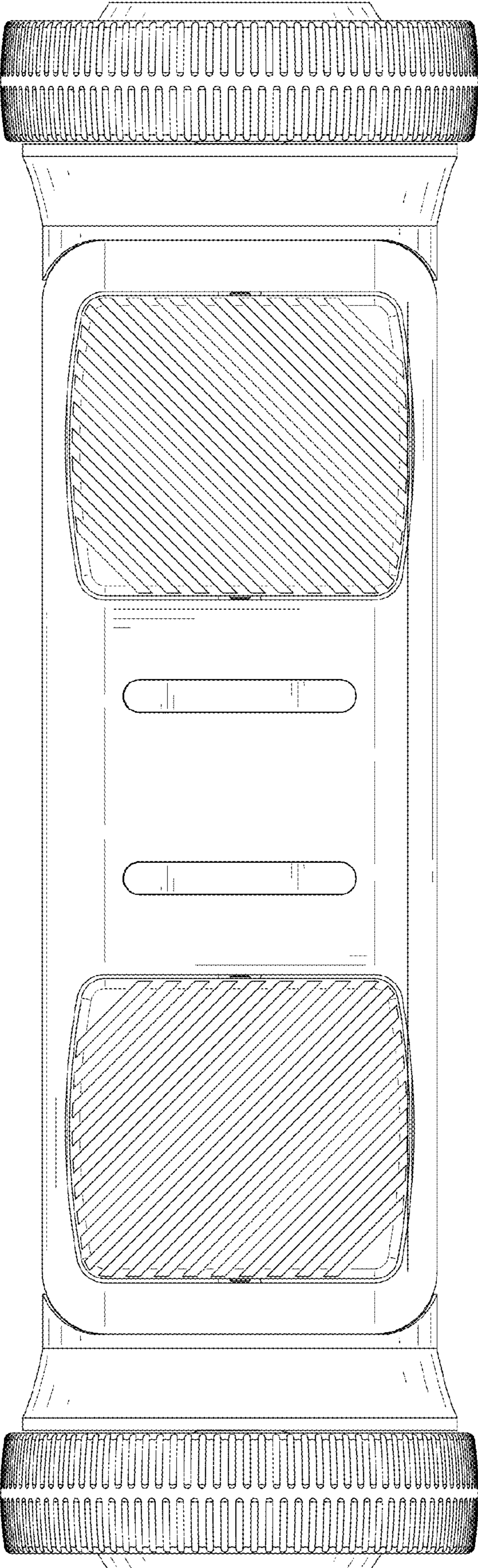


FIG. 7

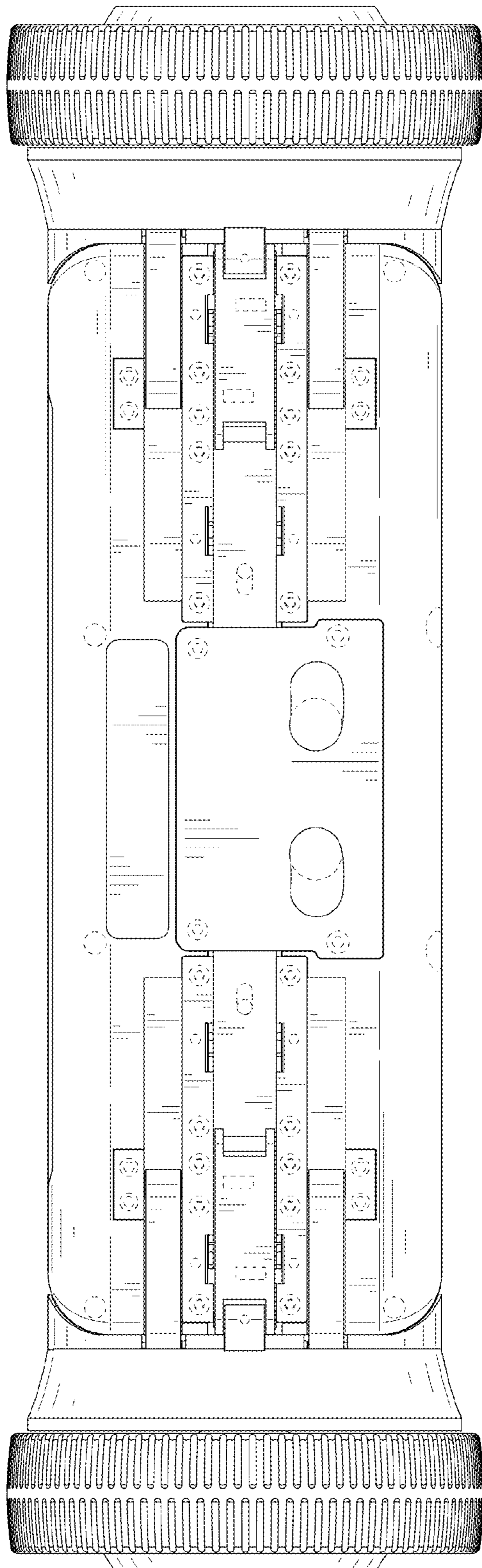


FIG. 8

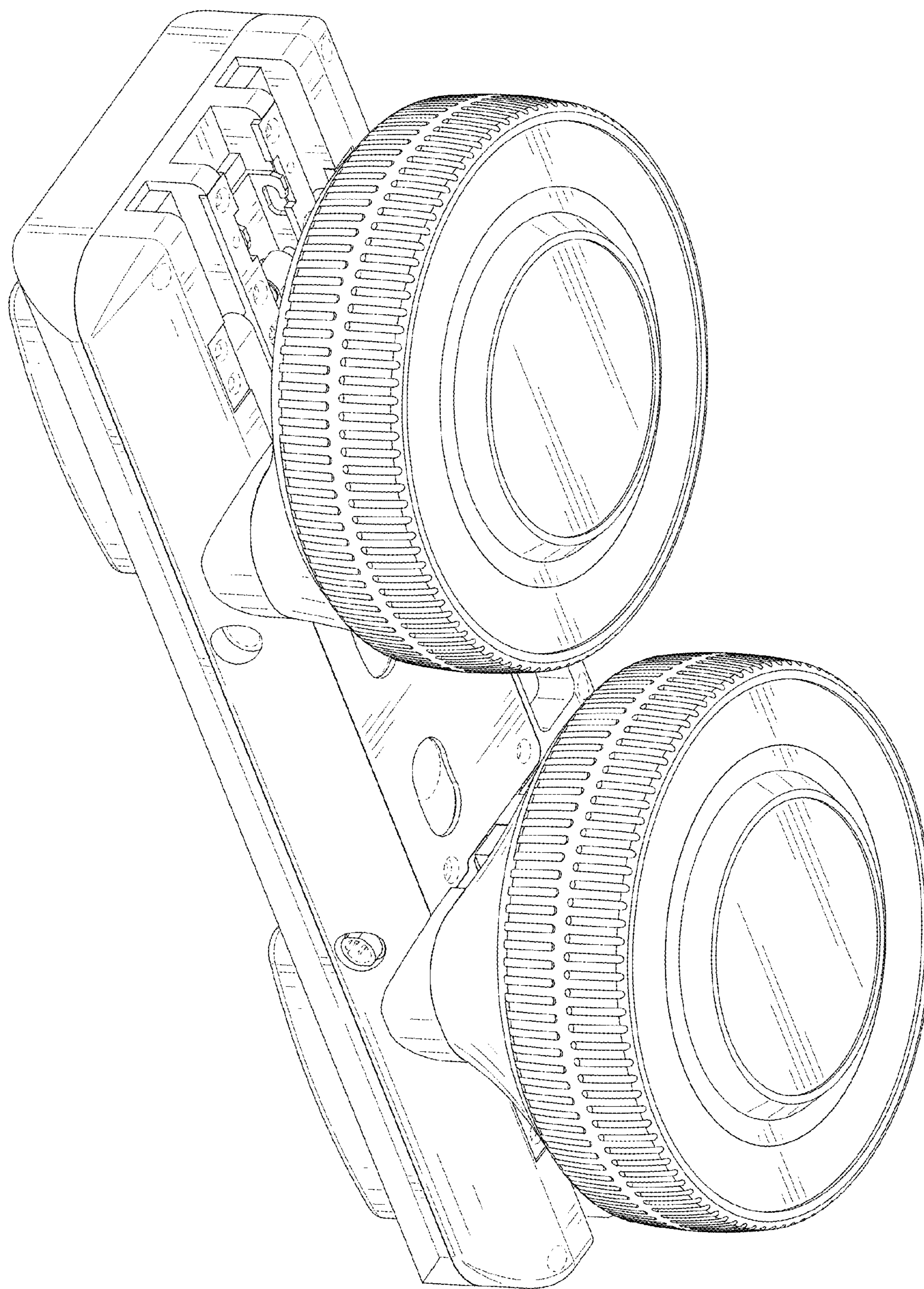


FIG. 9