



US00D963090S

(12) **United States Design Patent**
Song et al.

(10) **Patent No.:** **US D963,090 S**

(45) **Date of Patent:** **** Sep. 6, 2022**

(54) **IRON GOLF CLUB HEAD**

(71) Applicant: **Acushnet Company**, Fairhaven, MA
(US)

(72) Inventors: **Yu-Jin Song**, San Marcos, CA (US);
Joseph F. Kitching, Jr., Carlsbad, CA
(US); **Joshua G. Breier**, Vista, CA
(US)

(73) Assignee: **Acushnet Company**, Fairhaven, MA
(US)

(**) Term: **15 Years**

(21) Appl. No.: **29/759,258**

(22) Filed: **Nov. 20, 2020**

(51) **LOC (13) Cl.** **21-02**

(52) **U.S. Cl.**

USPC **D21/747**

(58) **Field of Classification Search**

USPC D21/747-751, 759

CPC A63B 53/00; A63B 53/02; A63B 53/04;

A63B 53/047; A63B 53/0475; A63B

2053/0479; A63B 2053/0483; A63B

2053/0445; A63B 60/00; A63B 60/46

See application file for complete search history.

(56) **References Cited**

U.S. PATENT DOCUMENTS

D675,690 S * 2/2013 Breier D21/747

D702,786 S * 4/2014 Engel D21/759

D707,765 S * 6/2014 Engel D21/733

D753,250 S * 4/2016 Song D21/749

D797,223 S * 9/2017 Kitching, Jr. D21/747

D806,813 S * 1/2018 Song D21/747

D855,130 S * 7/2019 Chun D21/747

D894,301 S * 8/2020 Parsons D21/747

D894,302 S * 8/2020 Parsons D21/747

D938,534 S * 12/2021 Parsons D21/747

* cited by examiner

Primary Examiner — Mitchell I. Siegel

(74) *Attorney, Agent, or Firm* — Randy K. Chang

(57) **CLAIM**

The ornamental design for iron golf club head, as shown and described.

DESCRIPTION

FIG. 1 is a perspective back view of our new design for an iron golf club head;

FIG. 2 is a rear elevational view thereof;

FIG. 3 is a front elevation view thereof;

FIG. 4 is a heel plan view thereof;

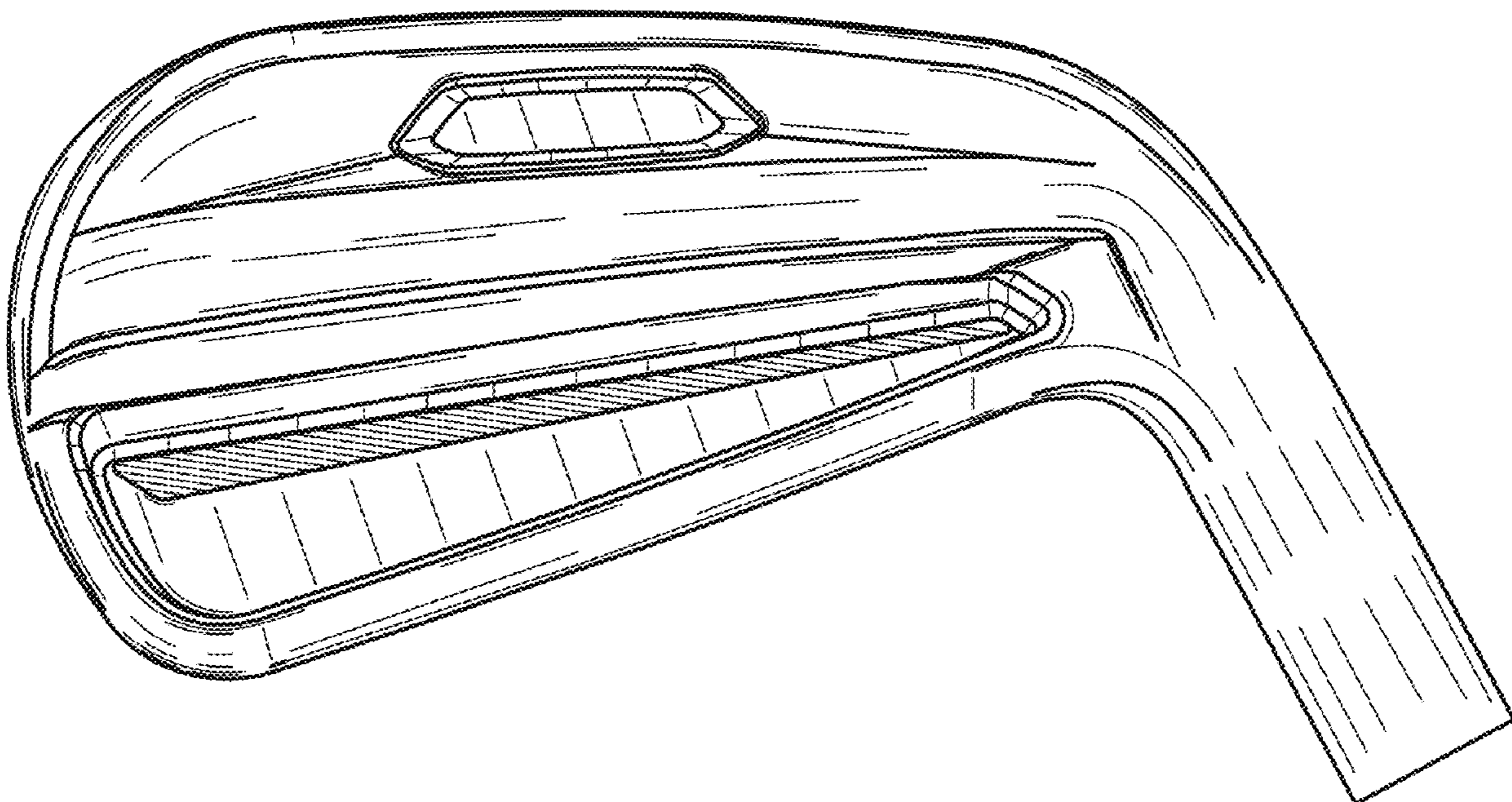
FIG. 5 is a toe plan view thereof;

FIG. 6 is a top end view thereof; and,

FIG. 7 is a bottom end view thereof.

The broken lines shown on the drawings forms no part of the claimed design.

1 Claim, 6 Drawing Sheets



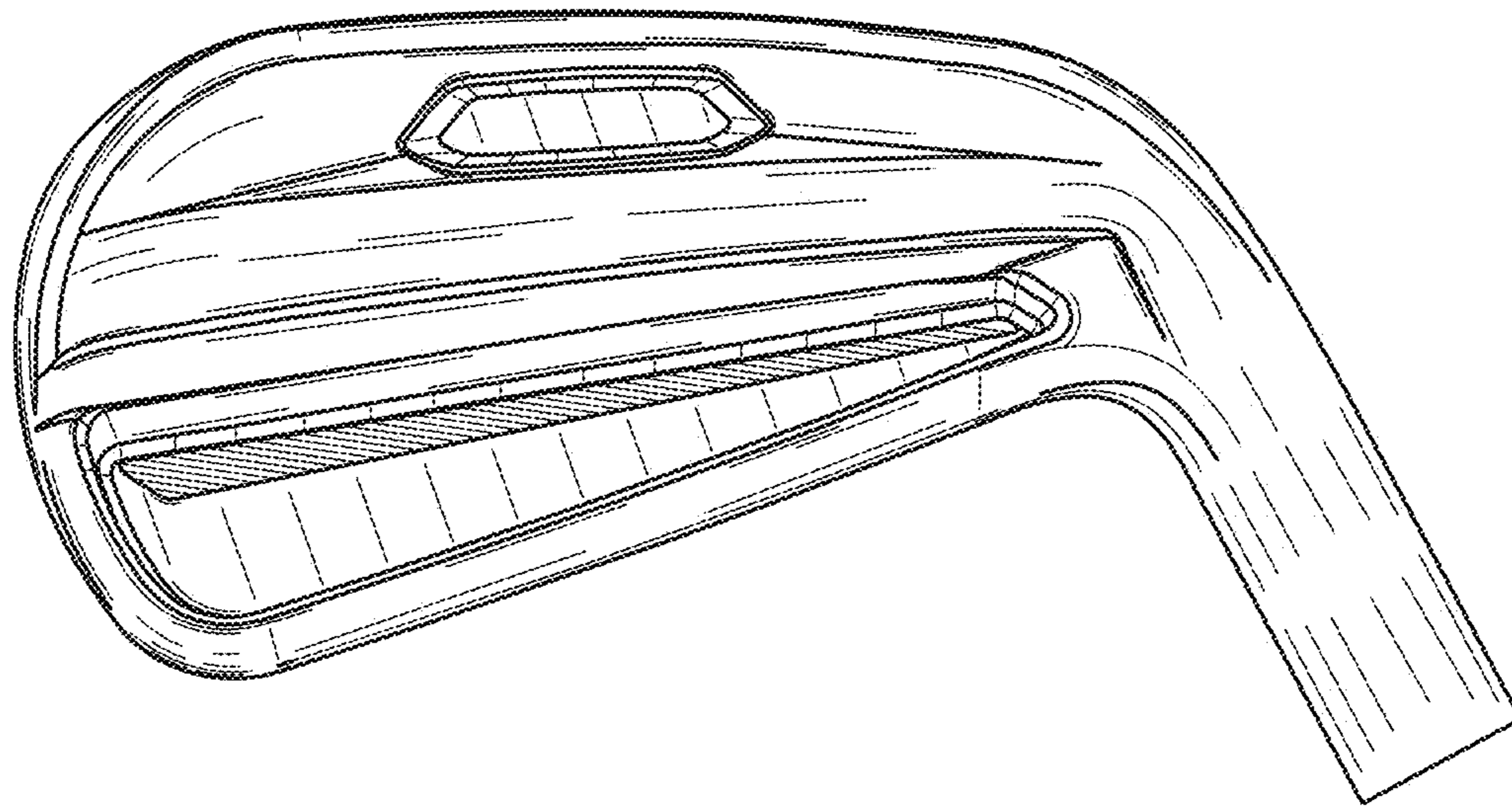


FIG. 1

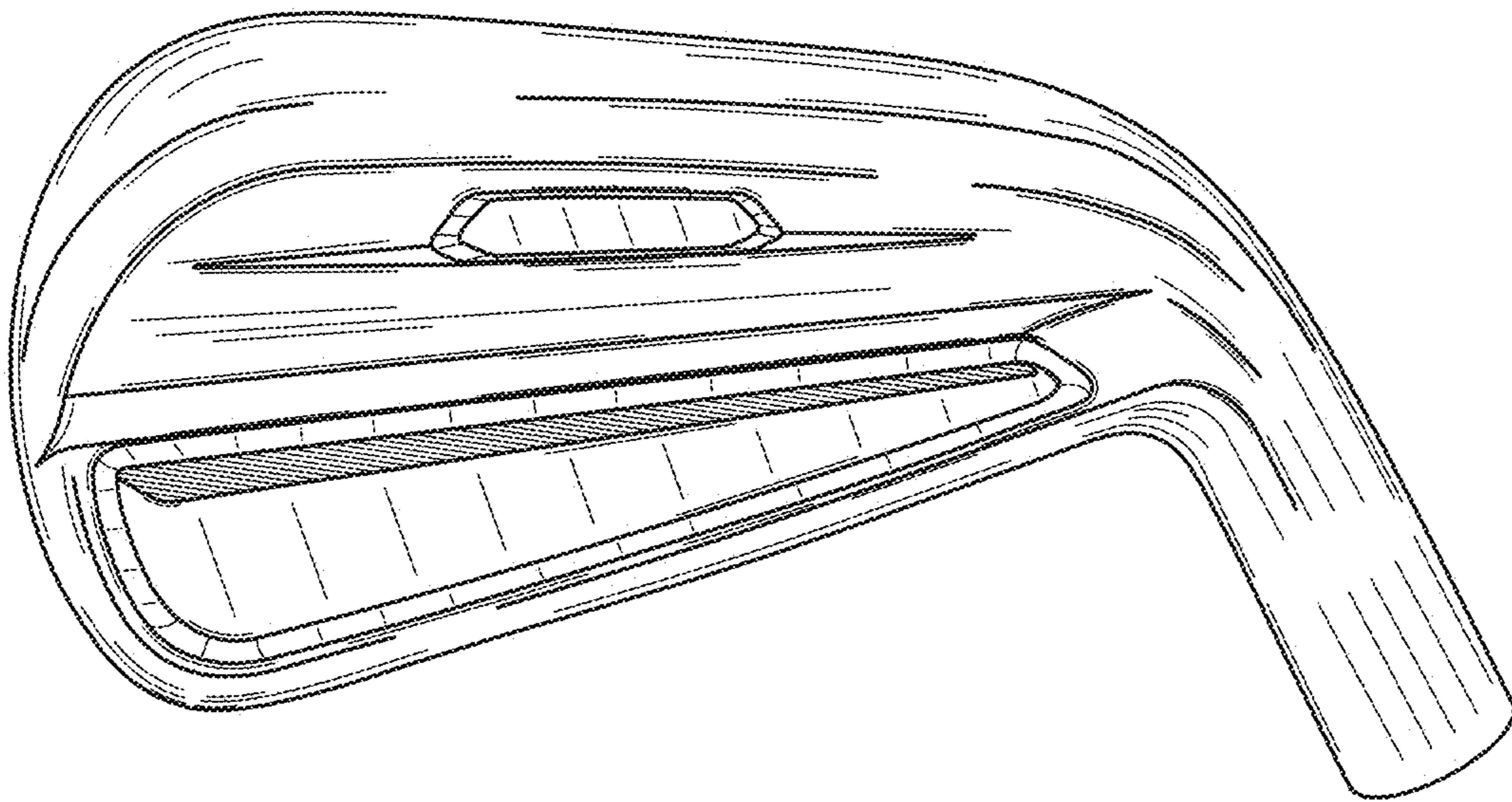


FIG. 2

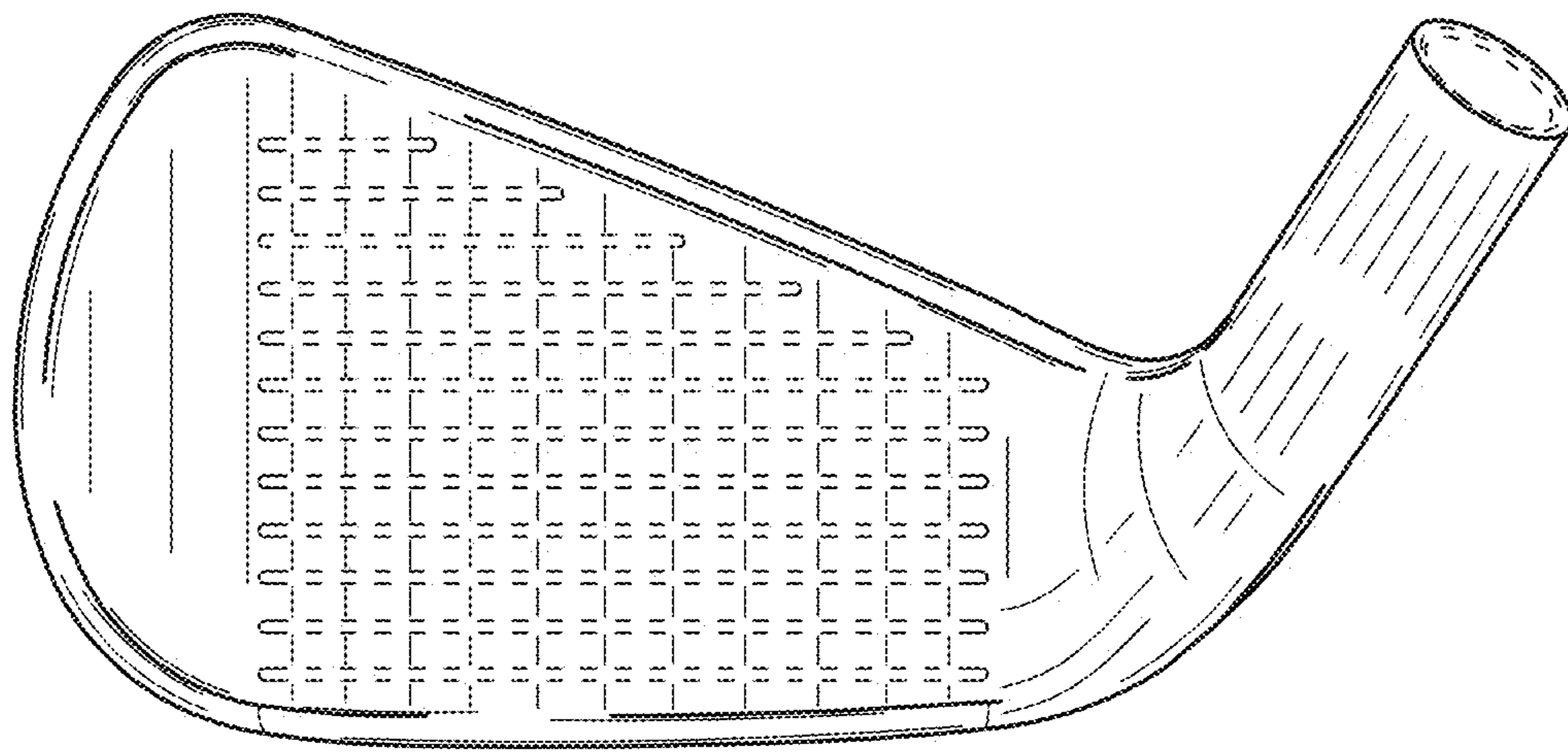


FIG. 3

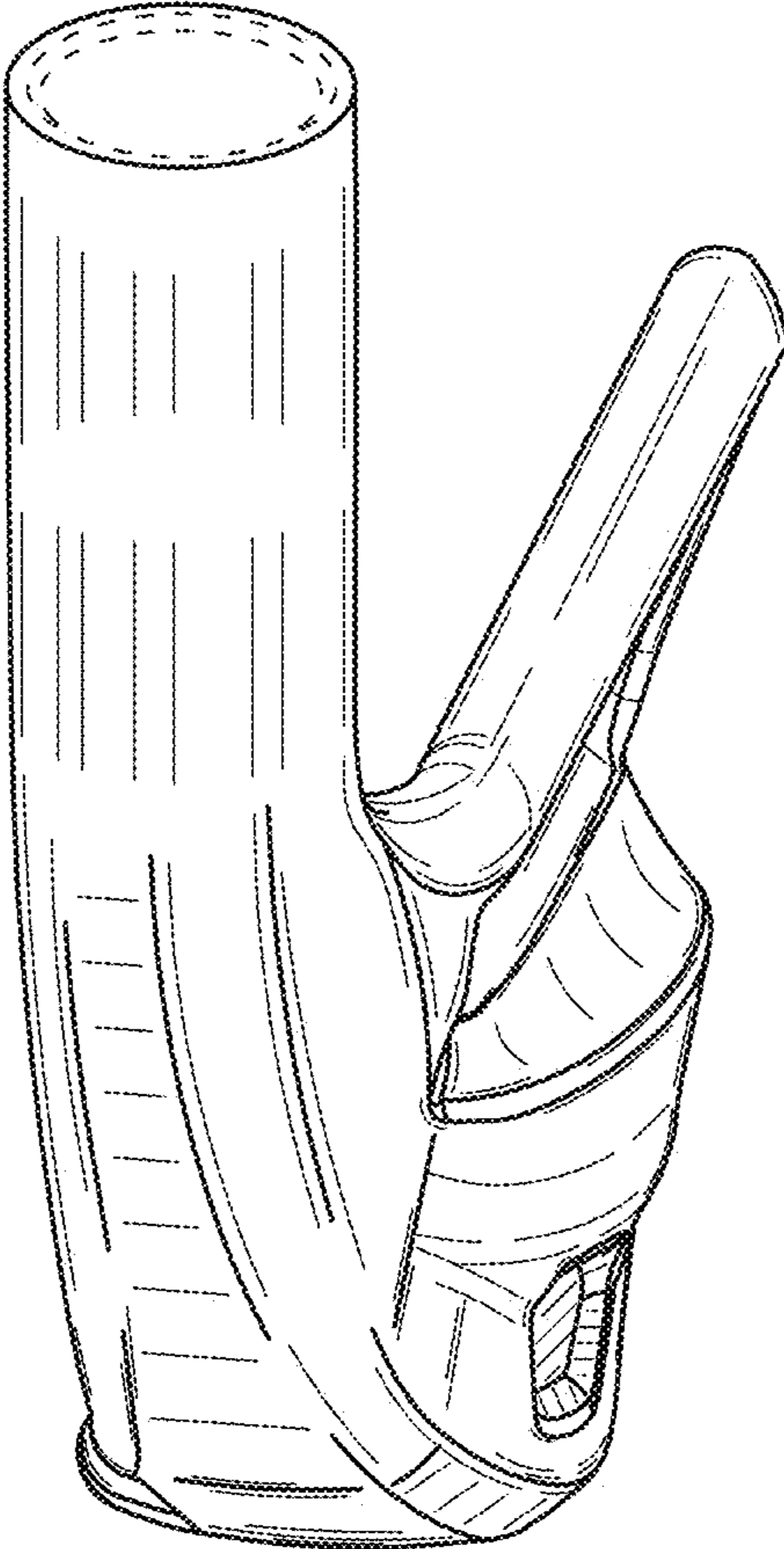


FIG. 4

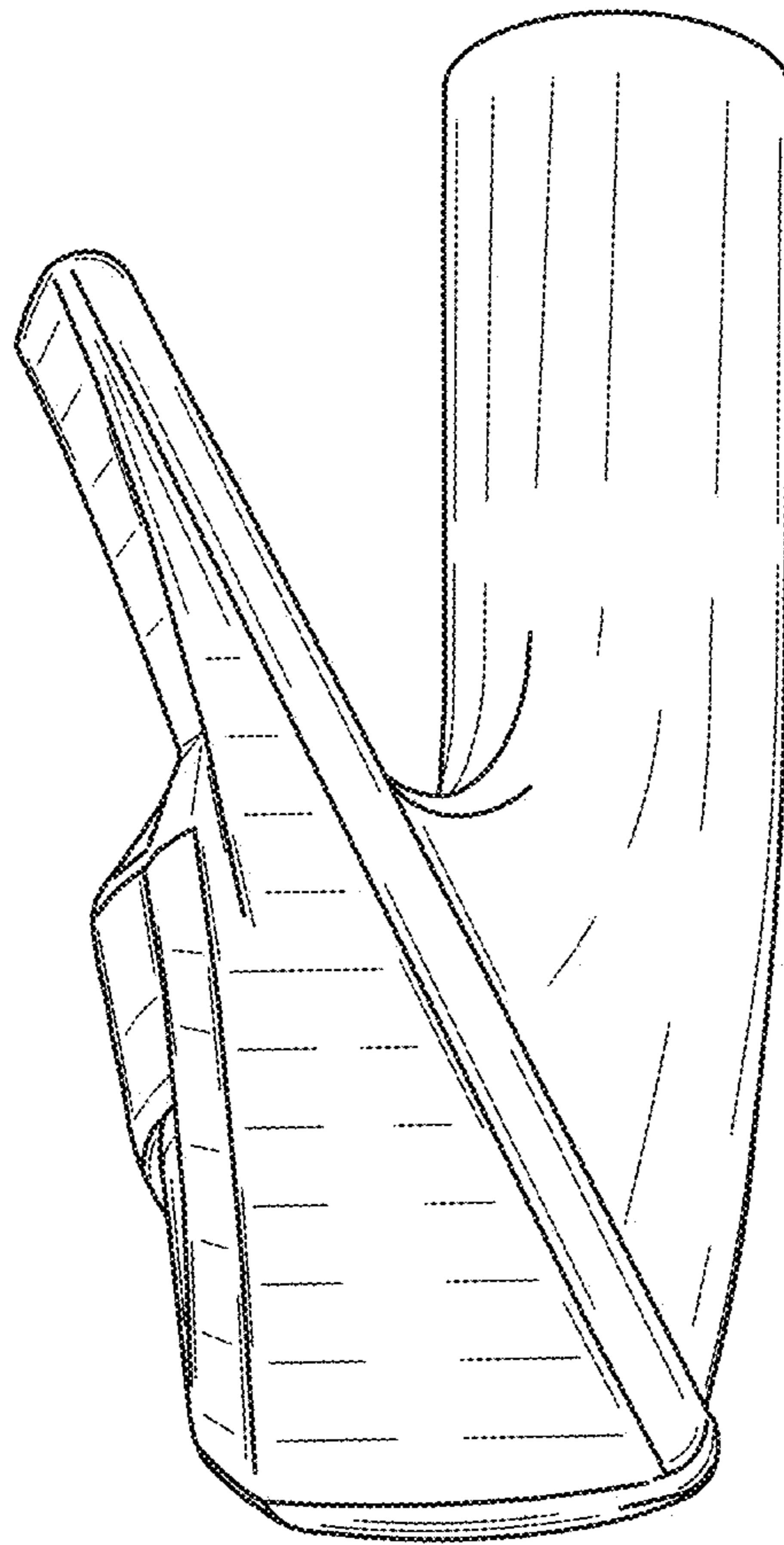


FIG. 5

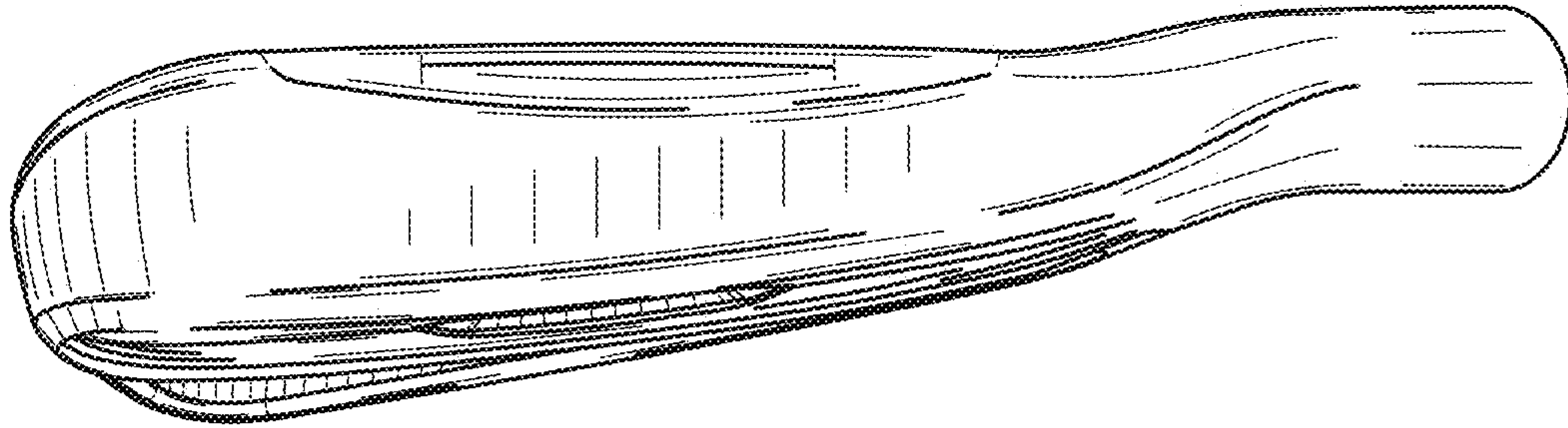


FIG. 6

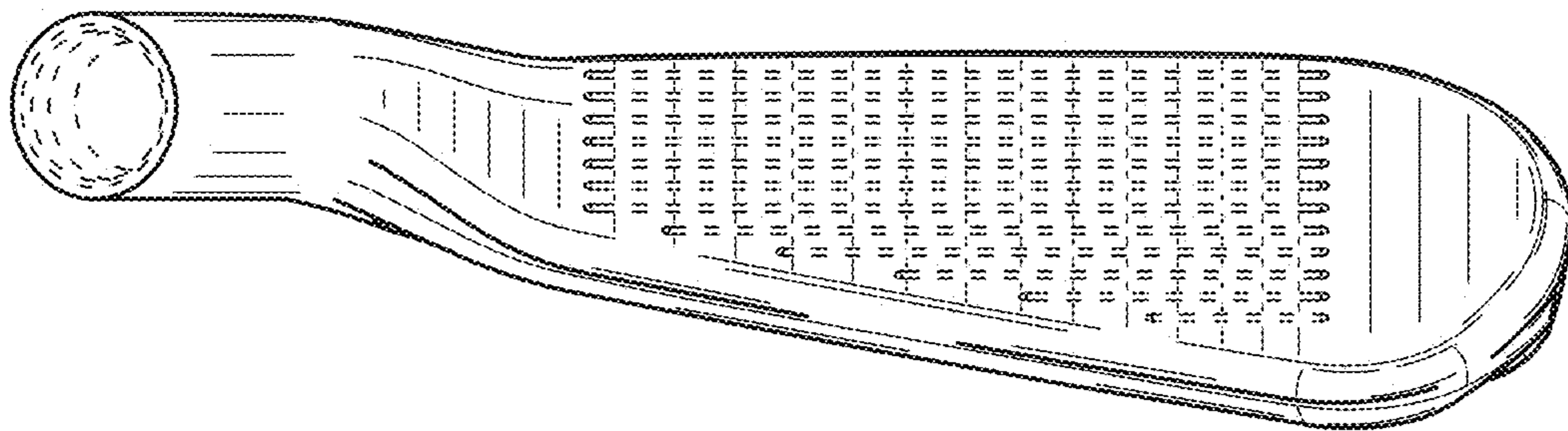


FIG. 7