



US00D963089S

(12) **United States Design Patent**
Wang et al.

(10) **Patent No.:** **US D963,089 S**
(45) **Date of Patent:** **** Sep. 6, 2022**

(54) **GOLF CLUB HEAD**

(71) Applicant: **KARSTEN MANUFACTURING CORPORATION**, Phoenix, AZ (US)

(72) Inventors: **Calvin S. Wang**, Chandler, AZ (US);
David A. Higdon, Cave Creek, AZ (US)

(73) Assignee: **Karsten Manufacturing Corporation**, Phoenix, AZ (US)

(**) Term: **15 Years**

(21) Appl. No.: **29/753,992**

(22) Filed: **Oct. 5, 2020**

(51) **LOC (13) Cl.** **21-02**

(52) **U.S. Cl.**
USPC **D21/743**

(58) **Field of Classification Search**
USPC D21/736-746, 752
CPC A63B 53/00; A63B 53/04; A63B 53/007;
A63B 53/065; A63B 53/0487; A63B
60/00; A63B 60/46
See application file for complete search history.

(56) **References Cited**

U.S. PATENT DOCUMENTS

D207,227 S *	3/1967	Solheim	D21/739
D239,951 S *	5/1976	Carrier	D21/742
4,030,766 A	6/1977	Derr		
D316,129 S	4/1991	Bryson		
5,275,412 A	1/1994	Innes		
5,685,784 A	11/1997	Butler		
D389,207 S *	1/1998	Cameron	D21/742
5,746,664 A	5/1998	Reynolds, Jr.		
6,048,275 A	4/2000	Gedeon		
D426,599 S *	6/2000	Morgan	D21/736
D426,600 S	6/2000	Valentine		
D443,906 S *	6/2001	Hettinger	D21/743
D449,085 S	10/2001	Breier		

6,379,259 B1	4/2002	Opie		
D485,320 S	1/2004	Breier		
D488,526 S	4/2004	Souza		
D498,276 S *	11/2004	Schweigert	D21/743
D500,109 S	12/2004	Solheim		
D500,110 S	12/2004	Solheim		
6,837,801 B1	1/2005	Souza		
6,878,071 B1	4/2005	Schweiger		

(Continued)

FOREIGN PATENT DOCUMENTS

CN	2920325 Y	7/2007
CN	103252065 A	8/2013

(Continued)

OTHER PUBLICATIONS

“Golf Magazine”, p. 87, vol. 42, No. 4, No Date supplied.
“Wrap up the holiday with golfs big hitters”, Edwin Watts Golf magazine, Oct. 12, 2001, p. 47, HD1301077100.

Primary Examiner — Mitchell I. Siegel

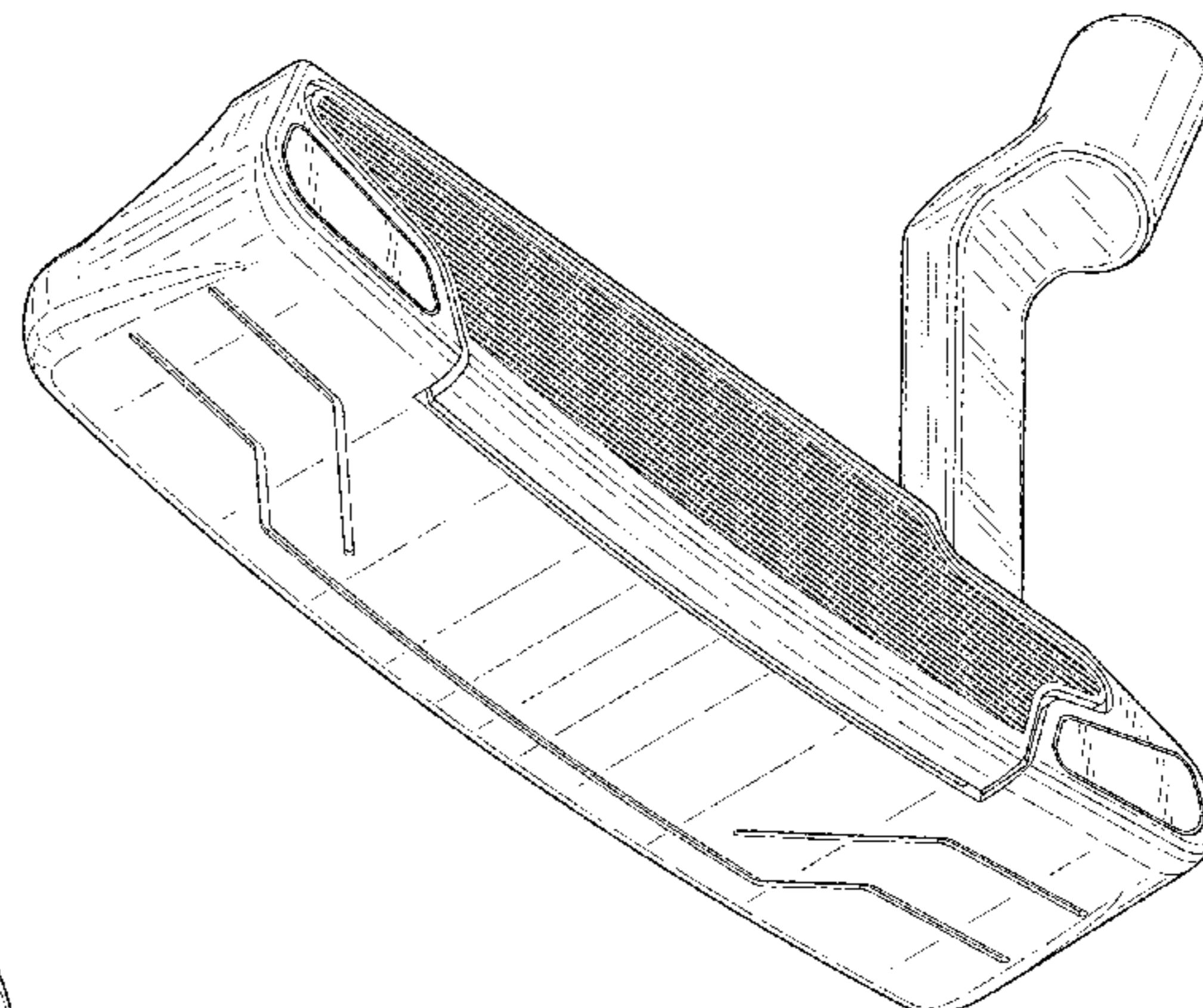
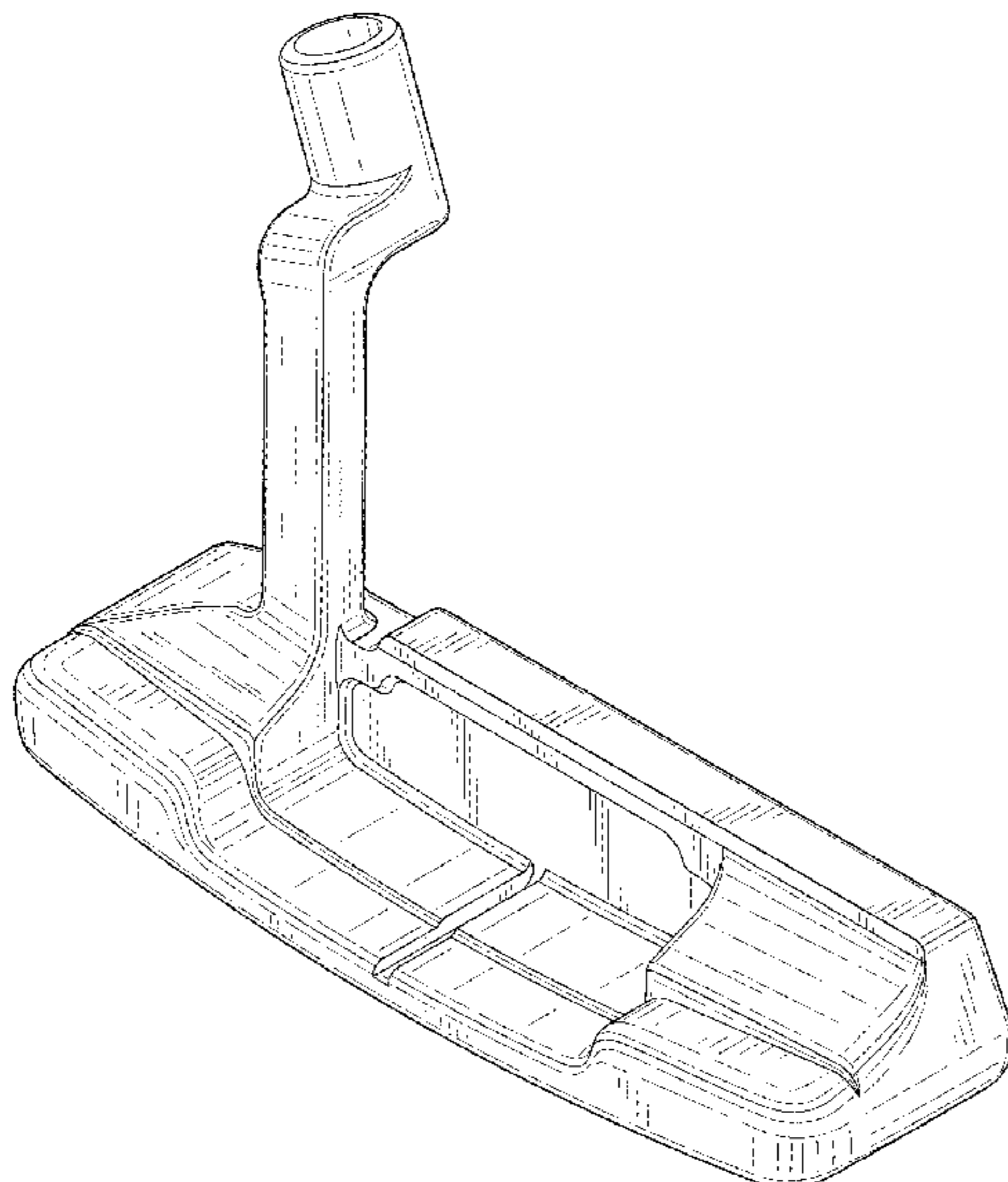
(57) **CLAIM**

The ornamental design for a golf club head, as shown and described.

DESCRIPTION

FIG. 1 is a top perspective view of a golf club head;
FIG. 2 is a bottom perspective view of the golf club head of FIG. 1;
FIG. 3 is a top view of the golf club head of FIG. 1;
FIG. 4 is a bottom view of the golf club head of FIG. 1;
FIG. 5 is a front view of the golf club head of FIG. 1;
FIG. 6 is a rear view of the golf club head of FIG. 1;
FIG. 7 is a heel side view of the golf club head of FIG. 1;
and,
FIG. 8 is a toe side view of the golf club head of FIG. 1.
The broken lines shown on the drawings form no part of the claimed design.

1 Claim, 6 Drawing Sheets



(56)

References Cited

U.S. PATENT DOCUMENTS

6,893,355 B2 5/2005 Souza
 6,902,496 B2 6/2005 Solheim
 D507,612 S 7/2005 Souza
 6,926,615 B1 8/2005 Souza
 6,960,140 B2 11/2005 Solheim
 6,966,845 B2 11/2005 Solheim
 D520,584 S 5/2006 Karlson
 D521,580 S * 5/2006 Burrows D21/736
 D521,582 S 5/2006 Souza
 7,052,411 B2 5/2006 Solheim
 D522,598 S 6/2006 Solheim
 7,077,758 B2 7/2006 Rohrer
 7,086,957 B2 8/2006 Solheim
 D527,777 S 9/2006 Solheim
 D529,108 S 9/2006 Stites
 7,121,956 B2 10/2006 Lo
 D532,847 S 11/2006 Rollinson
 D533,243 S 12/2006 Fife
 D535,712 S 1/2007 Toroussian
 7,235,021 B2 6/2007 Solheim
 D548,294 S * 8/2007 Nguyen D21/736
 D548,295 S 8/2007 Jertson
 7,255,650 B2 8/2007 Bryant
 D552,196 S 10/2007 Hueber
 D552,197 S 10/2007 Wells
 7,297,073 B2 11/2007 Jung
 D562,921 S * 2/2008 Nguyen D21/742
 D565,137 S 3/2008 Oldknow
 D569,462 S 5/2008 Rollinson
 7,371,185 B1 5/2008 Rohrer
 7,374,497 B2 5/2008 Brown
 D574,909 S * 8/2008 Jones D21/743
 D581,473 S 11/2008 Thomas
 D583,003 S 12/2008 Solheim
 D583,887 S 12/2008 Cameron
 D590,462 S * 4/2009 Hettinger D21/743
 D595,372 S 6/2009 Rollinson
 D599,423 S * 9/2009 Serrano D21/736
 D600,760 S 9/2009 Serrano
 D600,761 S 9/2009 Solheim
 D600,762 S 9/2009 Serrano
 7,601,076 B2 10/2009 Rollinson
 D607,950 S 1/2010 Souza
 D620,993 S * 8/2010 Laub D21/746
 D621,458 S 8/2010 Serrano
 D621,460 S 8/2010 Serrano
 D621,461 S 8/2010 Serrano
 D621,462 S 8/2010 Serrano
 D621,891 S 8/2010 Serrano
 7,803,066 B2 9/2010 Solheim
 7,815,515 B1 10/2010 Hunt
 D629,856 S 12/2010 Parkinson
 7,846,041 B2 12/2010 Beach
 7,887,432 B2 * 2/2011 Jones A63B 53/0487
 473/409
 7,927,226 B1 * 4/2011 Twitty A63B 53/0487
 473/254

D638,891 S 5/2011 Nicolette
 D638,892 S * 5/2011 Hettinger D21/743
 D640,341 S 6/2011 Foster et al.
 7,959,520 B2 6/2011 Campadore
 D643,080 S 8/2011 Serrano
 D643,486 S 8/2011 Nicolette
 D643,487 S 8/2011 Serrano
 D643,893 S 8/2011 Rollinson
 D648,407 S 11/2011 Teramoto
 D650,453 S 12/2011 Rollinson
 D650,456 S * 12/2011 Tang D21/743
 8,100,779 B2 1/2012 Solheim
 D653,718 S 2/2012 Stokke
 8,109,838 B2 2/2012 Solheim
 8,128,505 B2 3/2012 Tryner et al.
 D664,617 S 7/2012 Serrano
 D689,574 S * 9/2013 Rollinson D21/743
 D691,225 S * 10/2013 Hilton D21/736
 D702,782 S 4/2014 Wempe
 9,033,812 B2 * 5/2015 Solheim A63B 53/007
 473/409
 D733,817 S 7/2015 Jorgenson
 9,220,960 B2 12/2015 Schartiger
 D769,383 S * 10/2016 Abbott D21/743
 9,649,543 B2 5/2017 Solheim
 D796,597 S * 9/2017 Serrano D21/736
 9,901,793 B2 2/2018 Ban
 9,925,434 B2 3/2018 Solheim
 D817,424 S 5/2018 Toulon
 D817,425 S 5/2018 Toulon
 D818,551 S 5/2018 Toulon
 D832,379 S * 10/2018 Jertson D21/736
 D832,948 S 11/2018 Stokke
 D857,135 S * 8/2019 Serrano D21/736
 D859,544 S * 9/2019 Wang D21/736
 D860,351 S * 9/2019 Rollinson D21/743
 D869,581 S * 12/2019 Aguilar D21/743
 D869,582 S * 12/2019 Rollinson D21/743
 D869,583 S * 12/2019 Rollinson D21/743
 D874,590 S * 2/2020 Lee D21/743
 D912,746 S * 3/2021 Toulon D21/743
 D928,260 S * 8/2021 Serrano D21/743
 D930,096 S * 9/2021 Higdon D21/743
 2003/0083149 A1 5/2003 Lorenzo
 2005/0170904 A1 8/2005 Smeeth
 2006/0094533 A1 5/2006 Warren
 2007/0191135 A1 8/2007 Nilsson
 2008/0045353 A1 2/2008 Lo et al.
 2008/0096686 A1 4/2008 Bikhu
 2010/0227704 A1 9/2010 Souza
 2012/0115628 A1 5/2012 Woods

FOREIGN PATENT DOCUMENTS

GB 2133295 A 7/1984
 JP 2001137400 A 5/2001
 JP 1685998 5/2021
 JP 1693457 8/2021

* cited by examiner

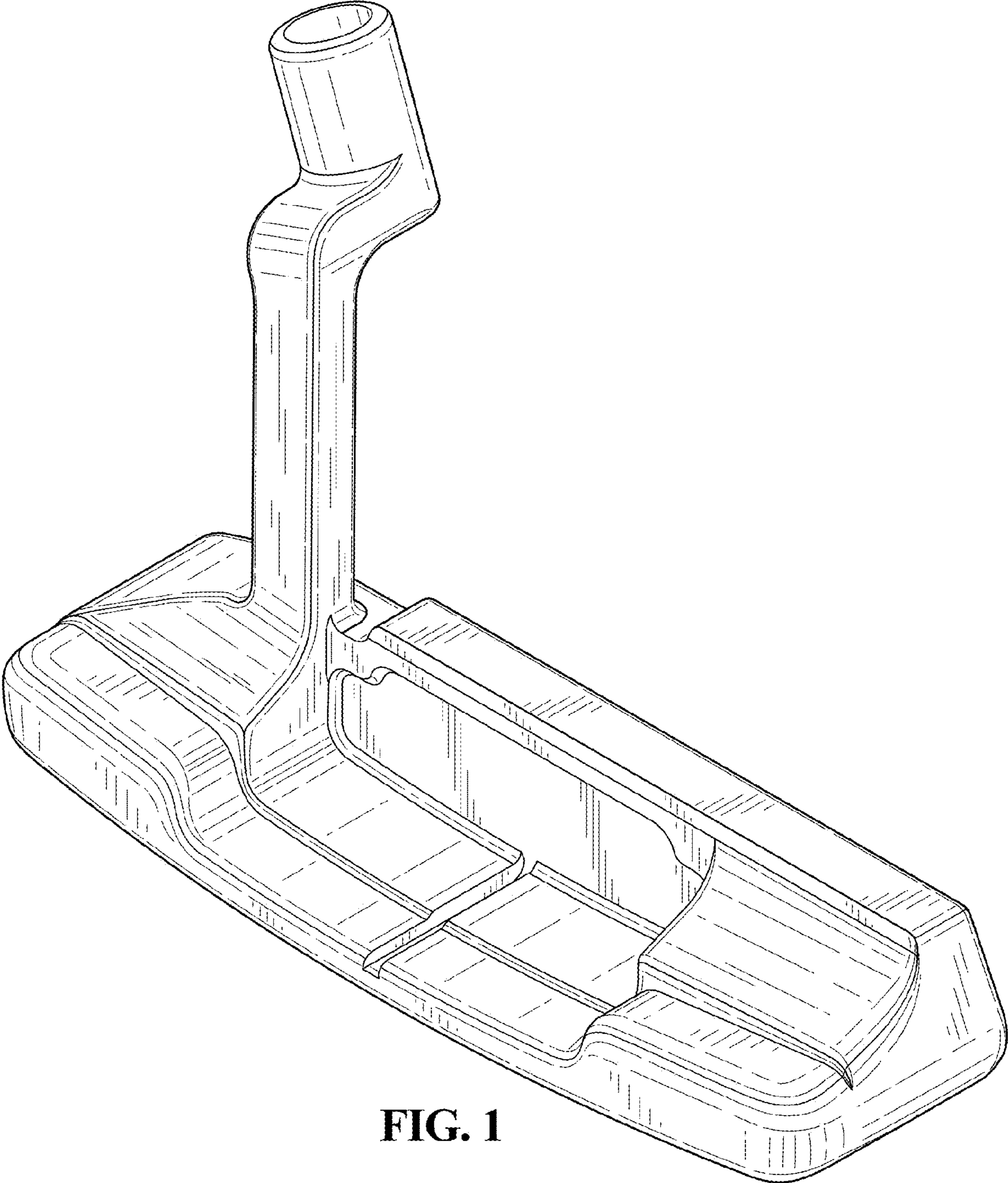


FIG. 1

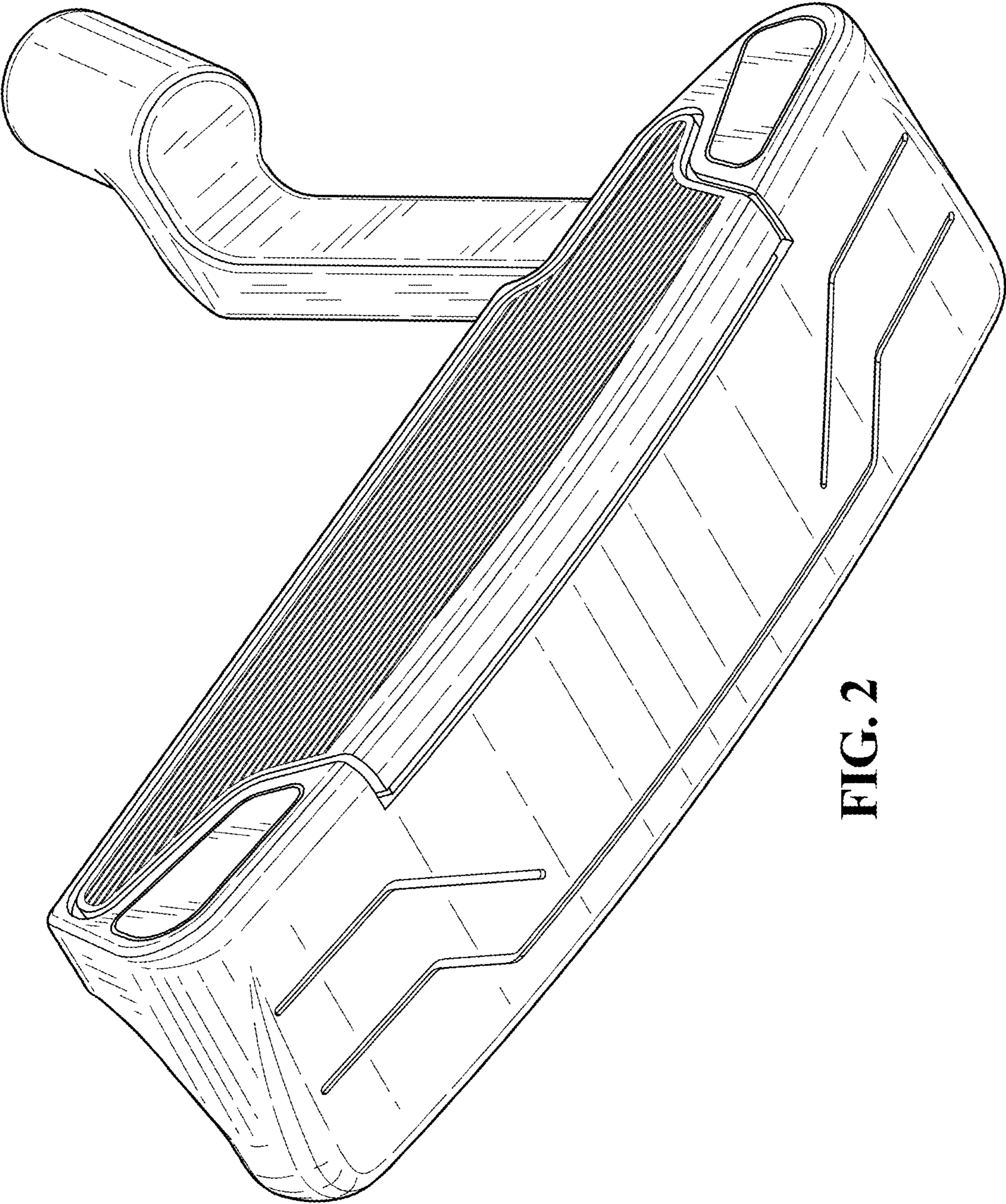


FIG. 2

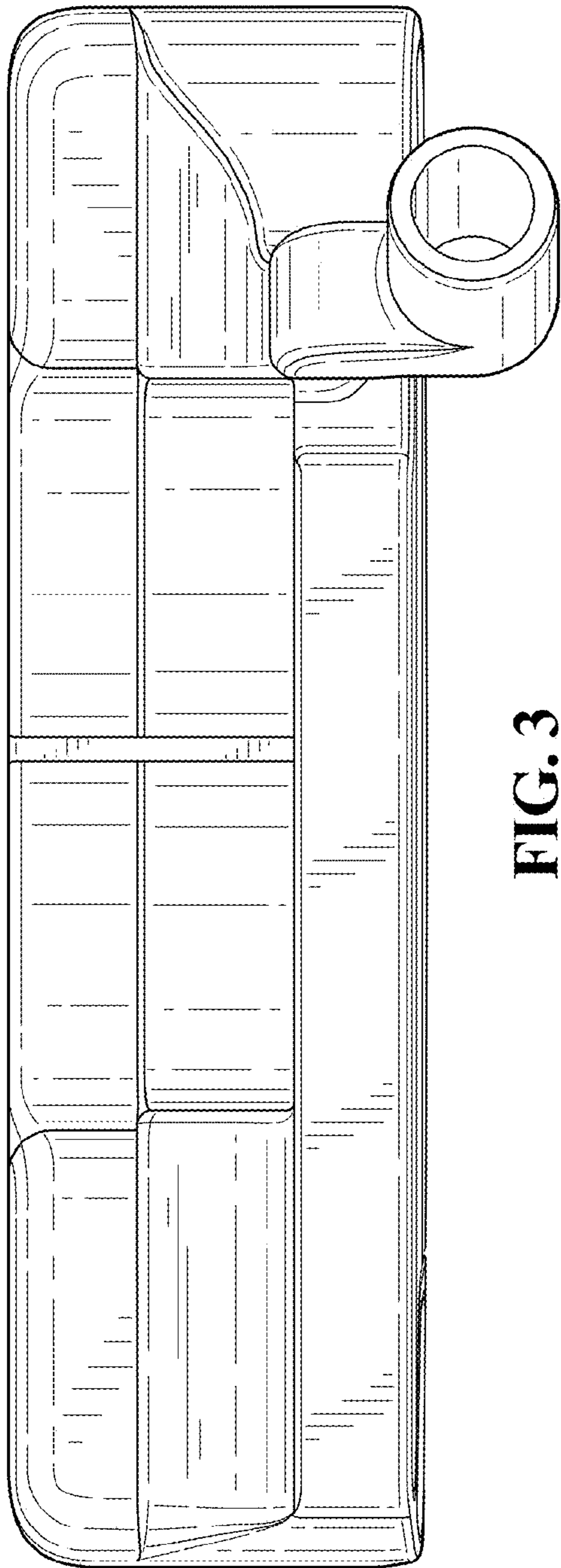


FIG. 3

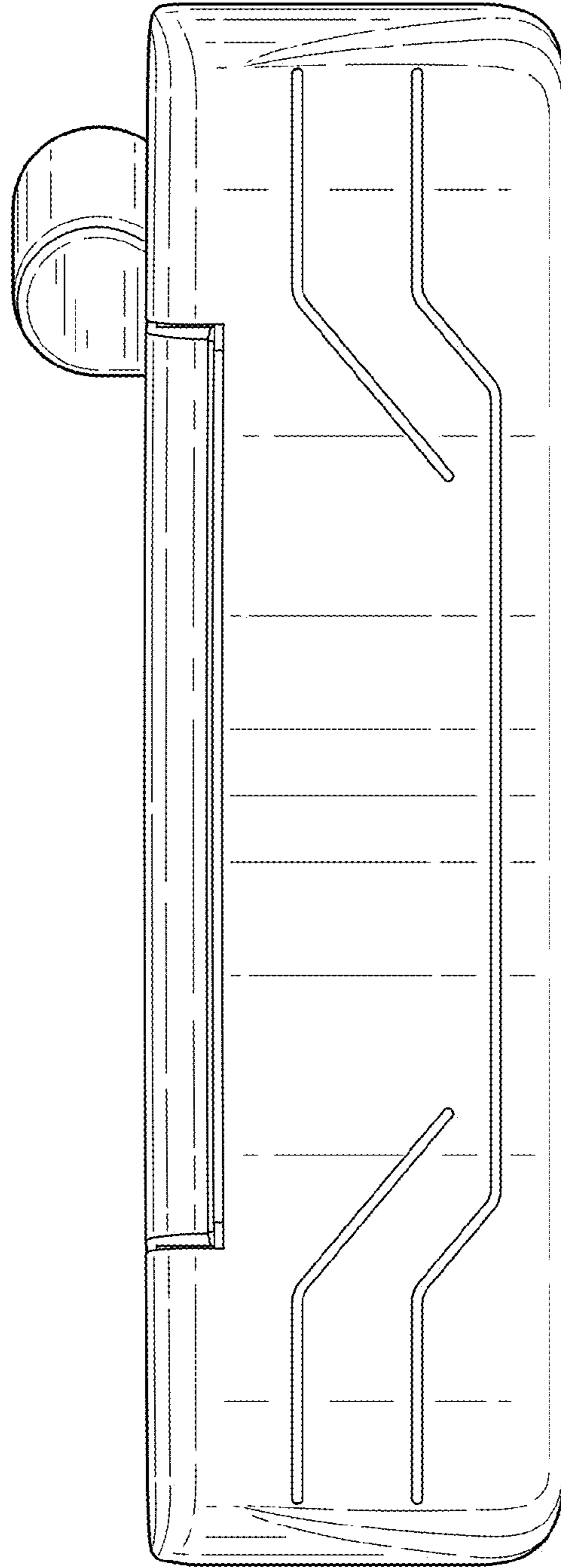


FIG. 4

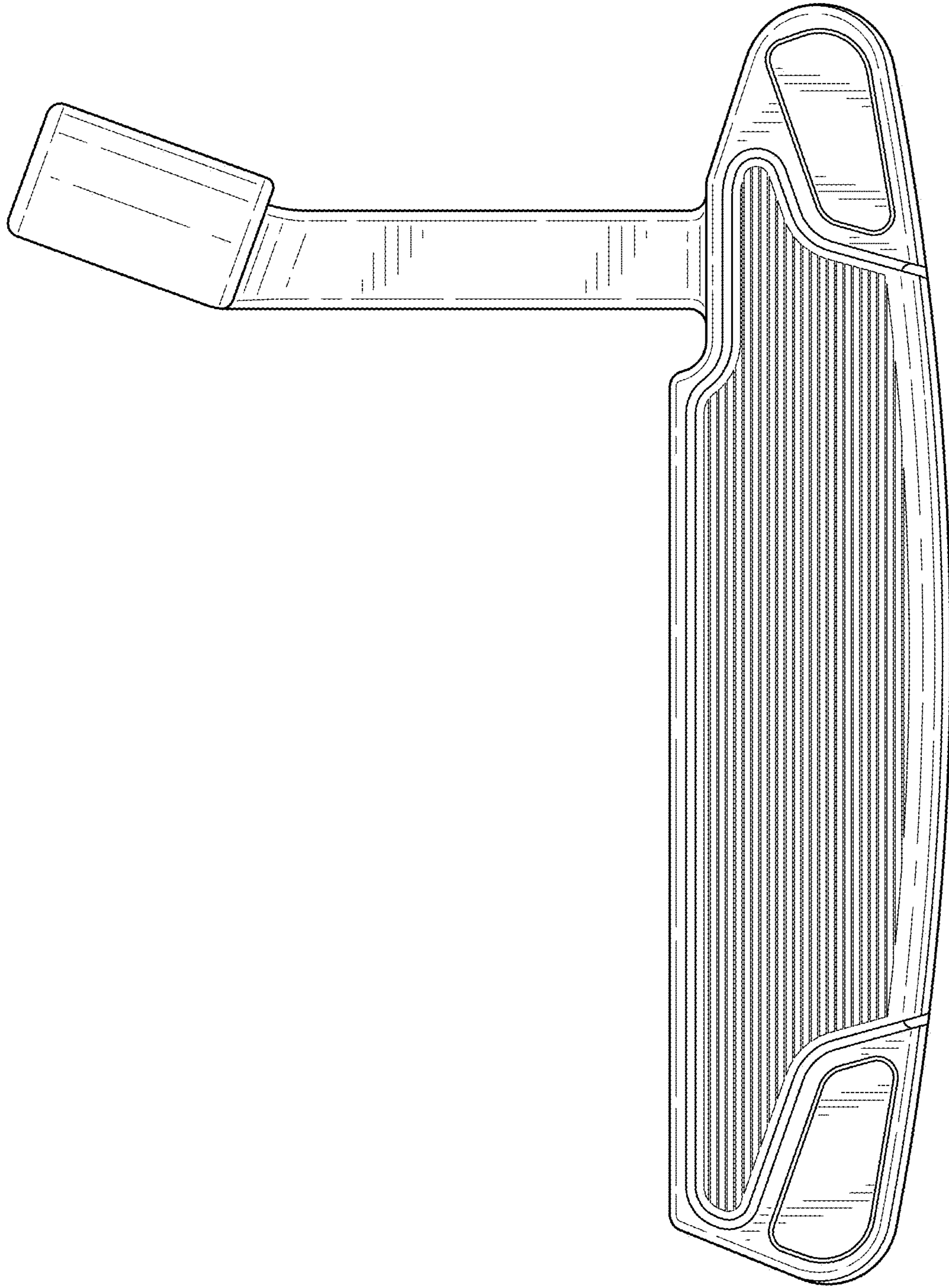


FIG. 5

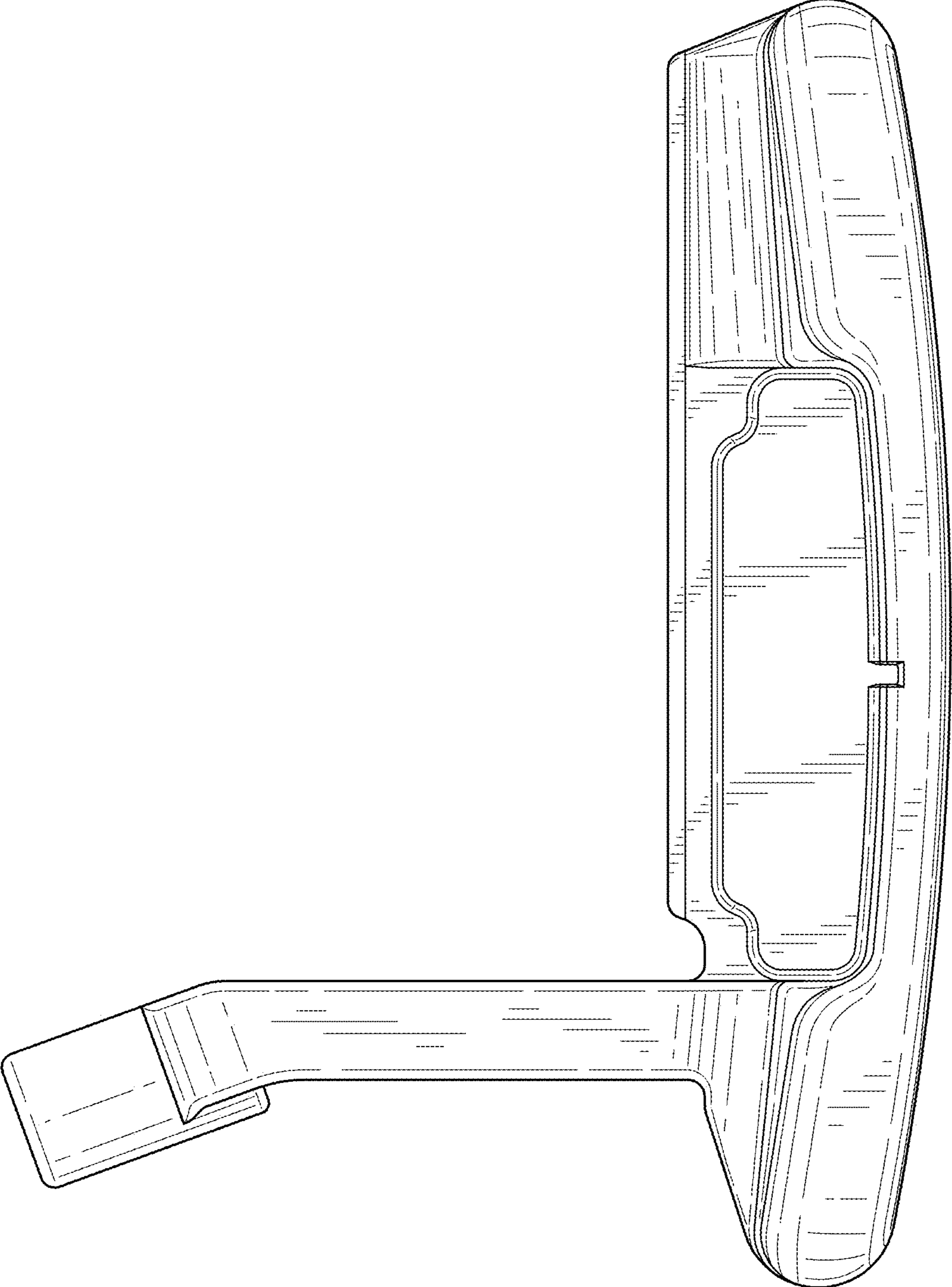


FIG. 6

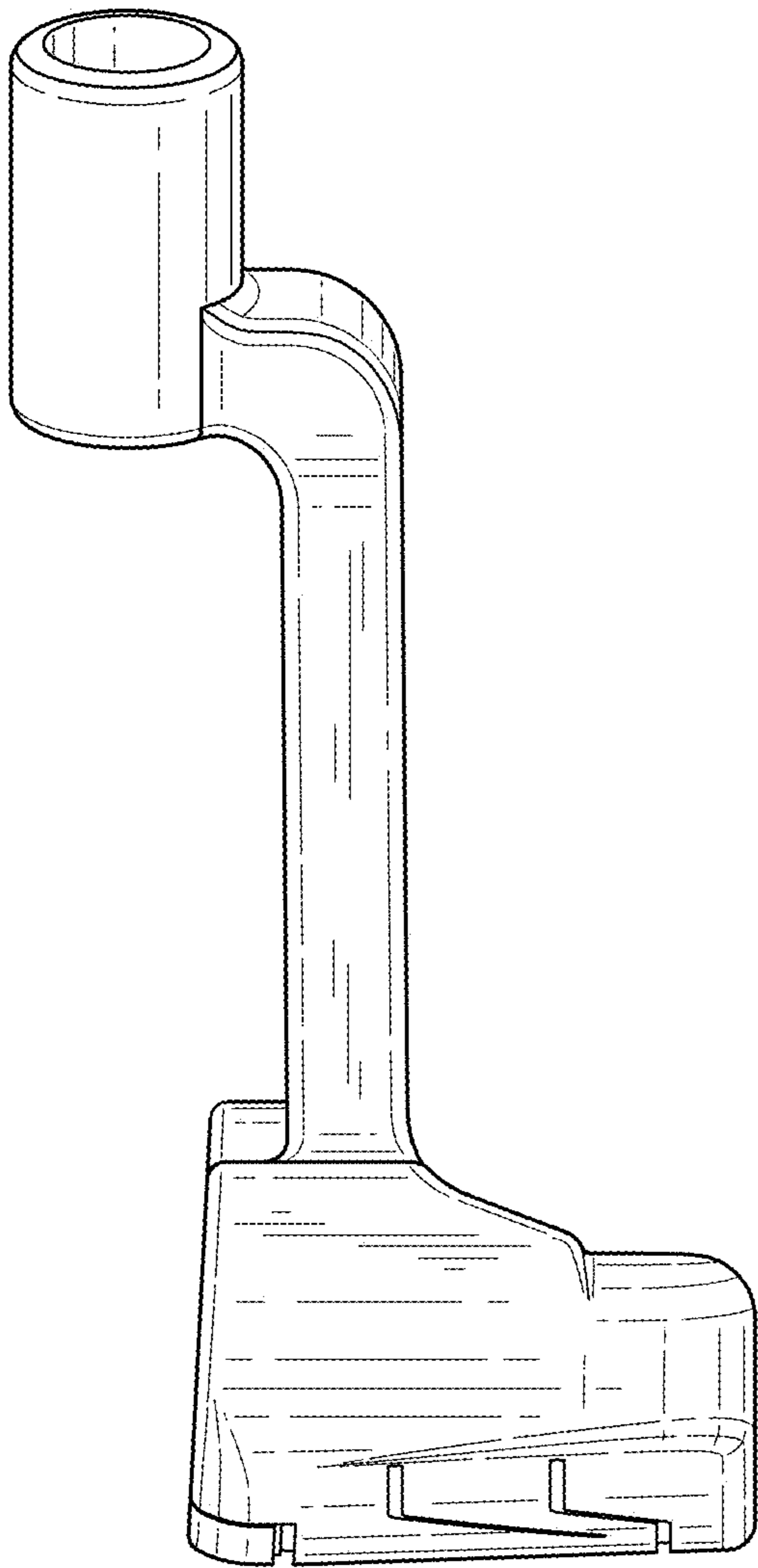


FIG. 7

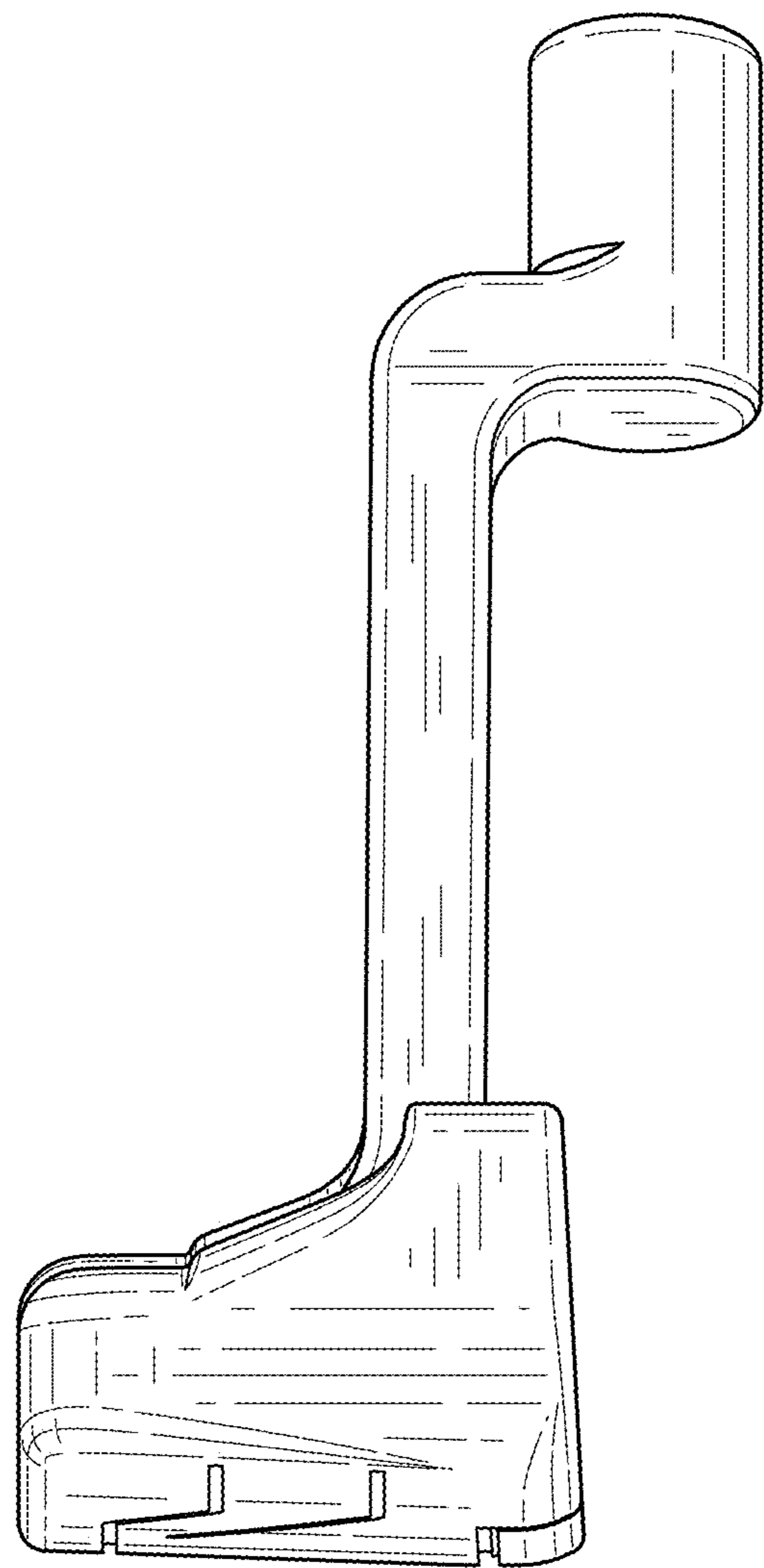


FIG. 8