



US00D963085S

(12) **United States Design Patent**
Nikbakht

(10) **Patent No.:** **US D963,085 S**

(45) **Date of Patent:** **** Sep. 6, 2022**

- (54) **HOCKEY PUCK**
- (71) Applicant: **Farhad Nikbakht, Sedley (CA)**
- (72) Inventor: **Farhad Nikbakht, Sedley (CA)**
- (**) Term: **15 Years**
- (21) Appl. No.: **29/705,595**
- (22) Filed: **Sep. 13, 2019**
- (51) **LOC (13) Cl.** **21-02**
- (52) **U.S. Cl.**
USPC **D21/710**
- (58) **Field of Classification Search**
USPC D21/203, 204, 701-716, 727, 780, 788;
D30/160; D3/254; D7/901; D11/157;
D14/240, 242, 388, 403; D19/155;
D6/309, 310; D18/4.4; D8/331
CPC A63B 2102/00; A63B 2102/24
See application file for complete search history.

D468,353 S *	1/2003	Shamitoff	D19/155
D494,235 S *	8/2004	Edwards	D21/710
D510,967 S *	10/2005	Coleman	D21/710
D510,968 S *	10/2005	Coleman	D21/710
D512,064 S *	11/2005	Li	D14/403
D515,154 S *	2/2006	Coleman	D21/710
D561,851 S *	2/2008	Proulx	D21/710
D561,852 S *	2/2008	Frey	D21/710
D579,993 S *	11/2008	Fairchild	D21/710
D751,538 S *	3/2016	Koehler	D14/240
D838,325 S *	1/2019	Miller	D21/710
D858,499 S *	9/2019	Yang	D14/242
D865,859 S *	11/2019	Ben Avi	D18/4.4
D900,821 S *	11/2020	Johnston	D14/388
D909,176 S *	2/2021	Garcia	D8/331

* cited by examiner

Primary Examiner — Mehri F Bajoul
(74) *Attorney, Agent, or Firm* — Michael A. Bondi; Moss & Barnett

(57) **CLAIM**

The ornamental design for a hockey puck, as shown and described.

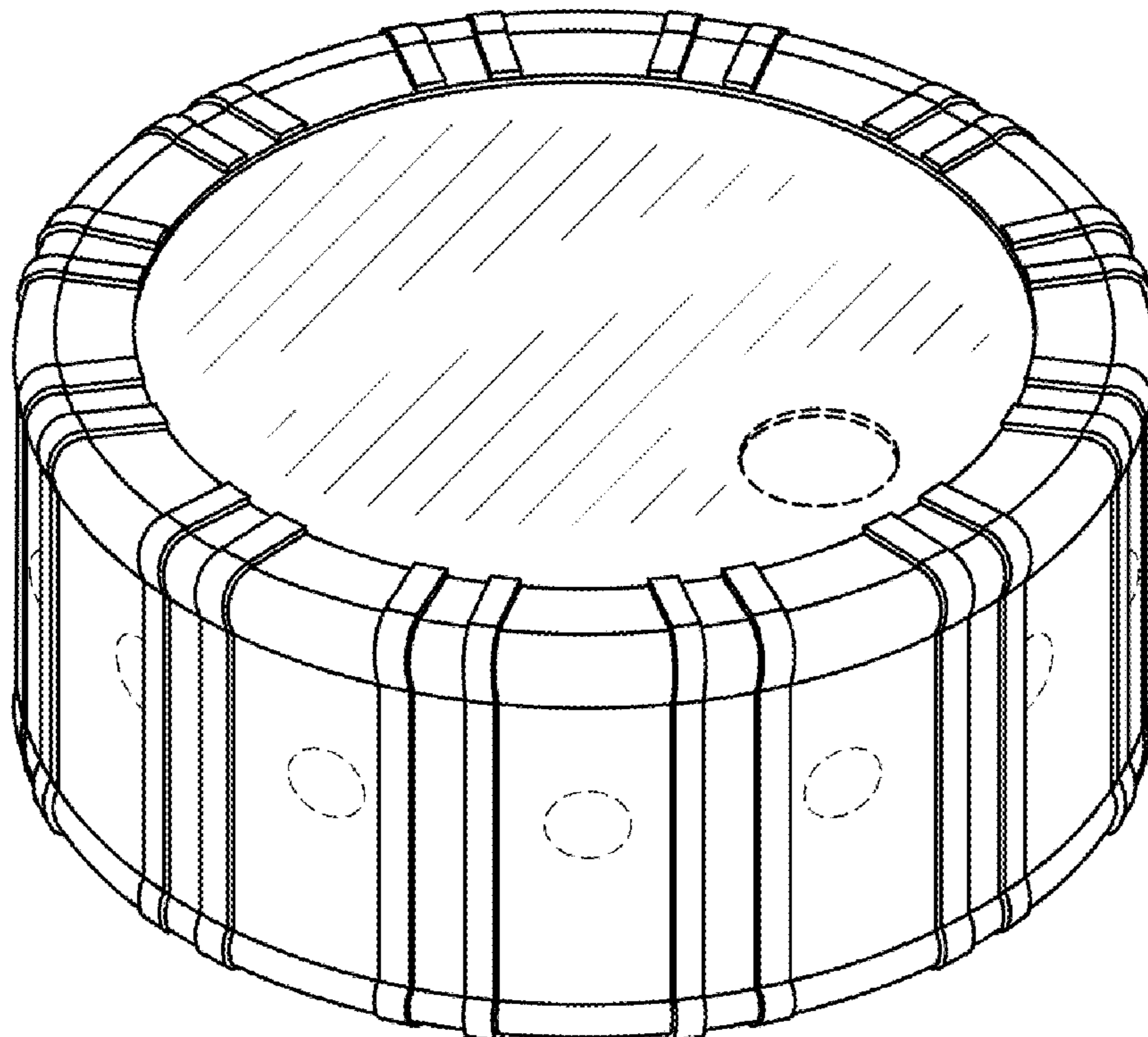
DESCRIPTION

FIG. 1 is a perspective view of the hockey puck according to the invention.
FIG. 2 is a side view of the hockey puck.
FIG. 3 is a top view of the hockey puck; and,
FIG. 4 is a bottom view of the hockey puck.
The broken lines in in the drawings depict portions of the hockey puck that form no part of the claimed design.

1 Claim, 2 Drawing Sheets

(56) **References Cited**
U.S. PATENT DOCUMENTS

D323,369 S *	1/1992	De Masi, Jr.	D21/710
D361,610 S *	8/1995	Malki	D21/710
D367,902 S *	3/1996	Silk	D21/710
D374,897 S *	10/1996	Whisman	D21/710
D396,255 S *	7/1998	Kotler	D21/710
D401,649 S *	11/1998	Bellehumeur	D21/710
D402,720 S *	12/1998	Bellehumeur	D21/710
D431,114 S *	9/2000	Smith	D21/710
D435,957 S *	1/2001	Kenefake	D2/869
D465,660 S *	11/2002	Doeing	D19/90



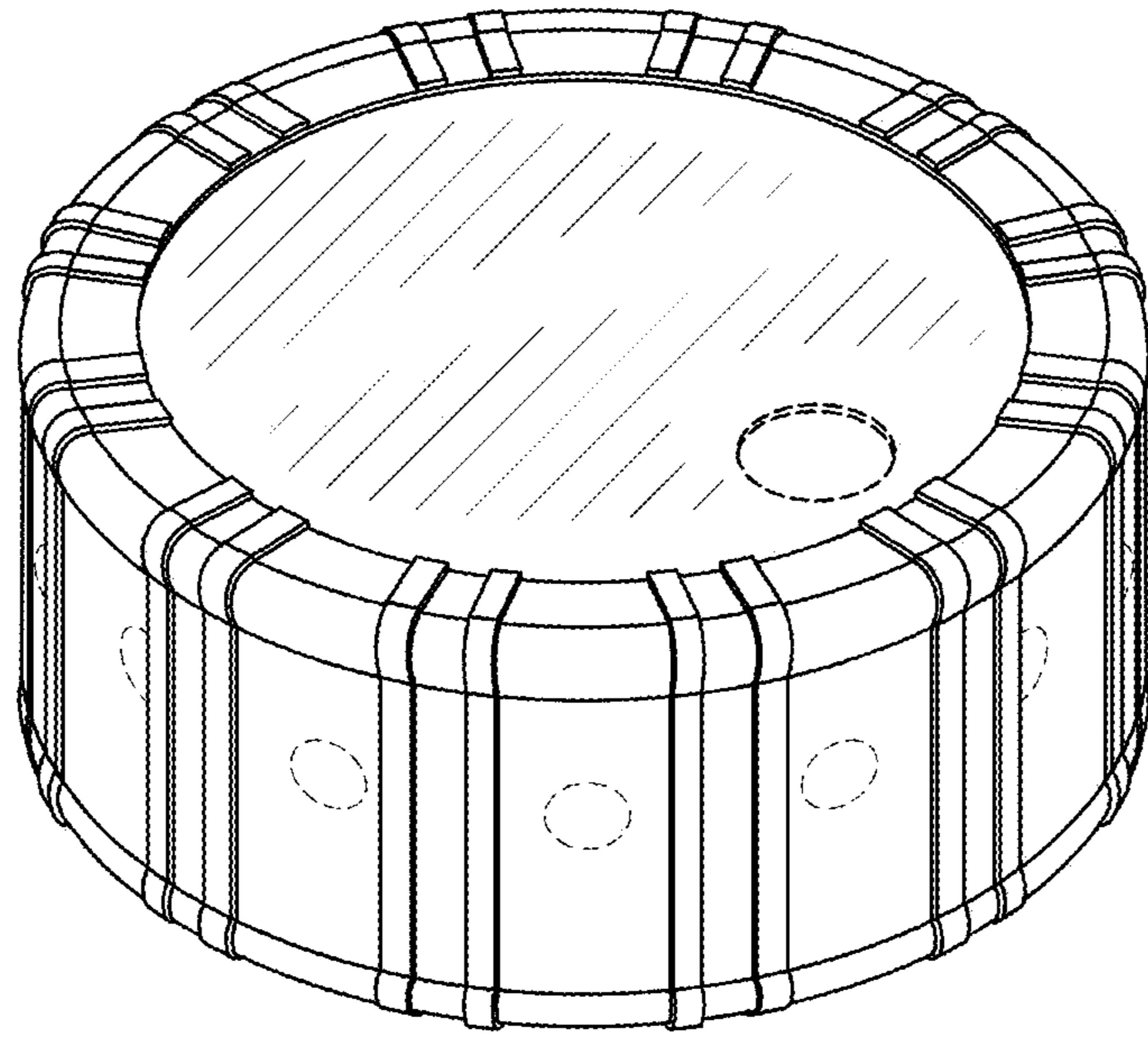


FIG. 1

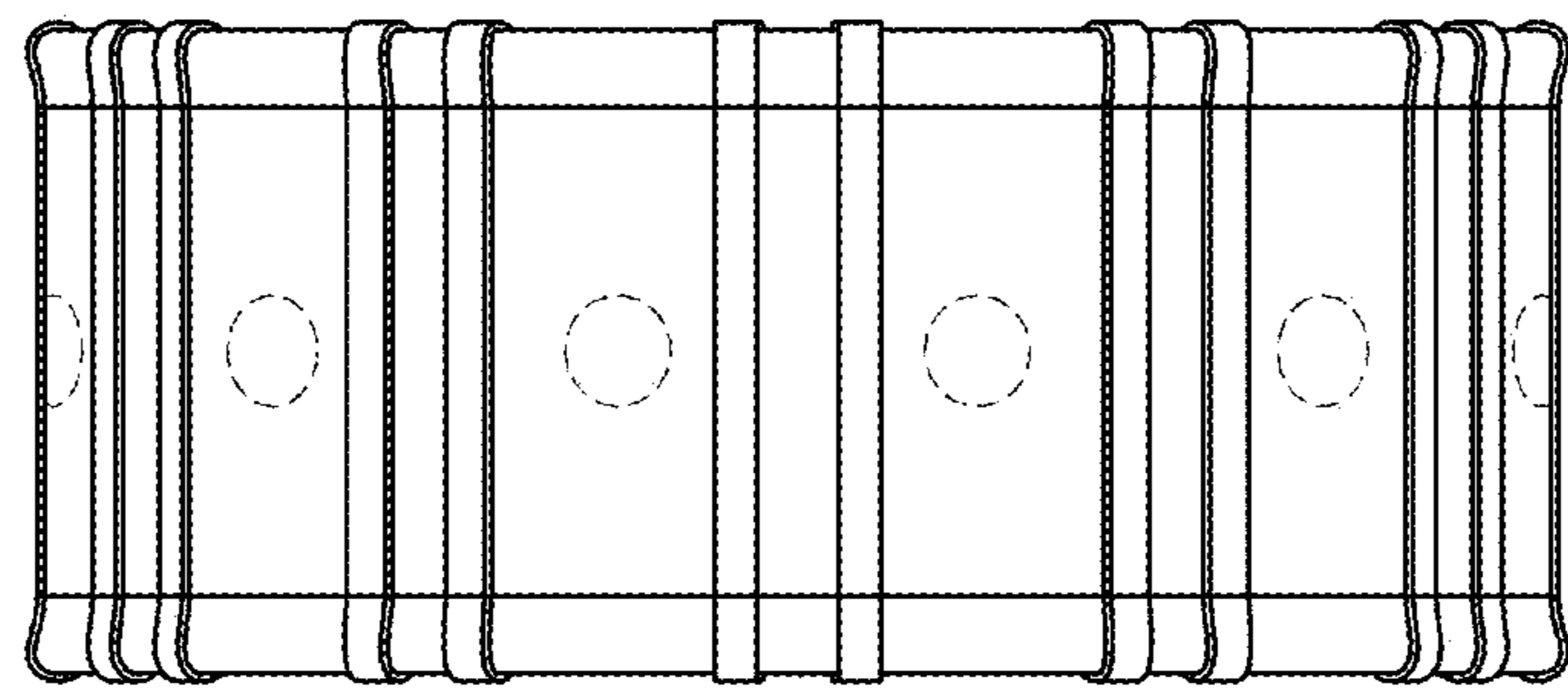


FIG. 2

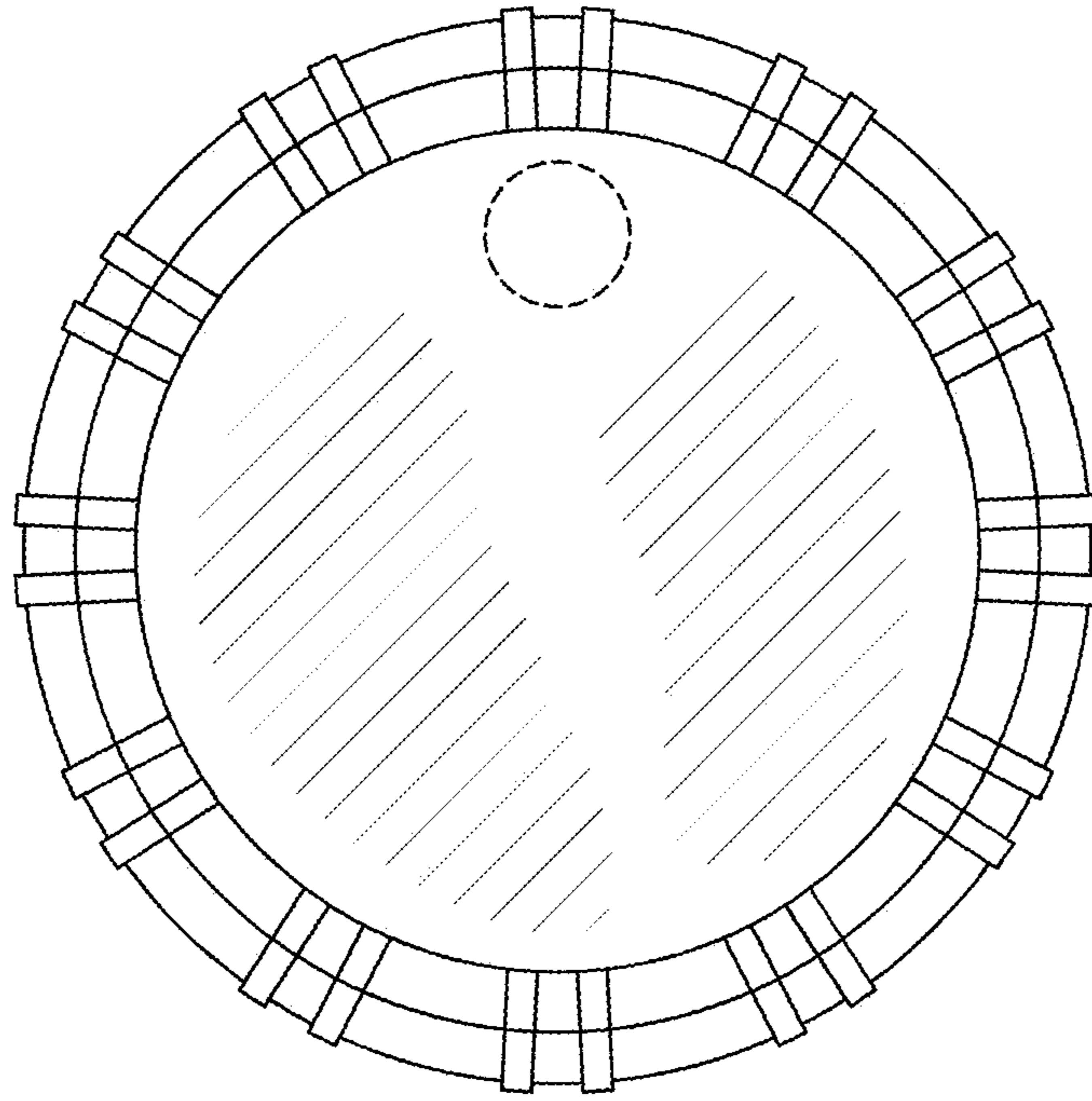


FIG. 3

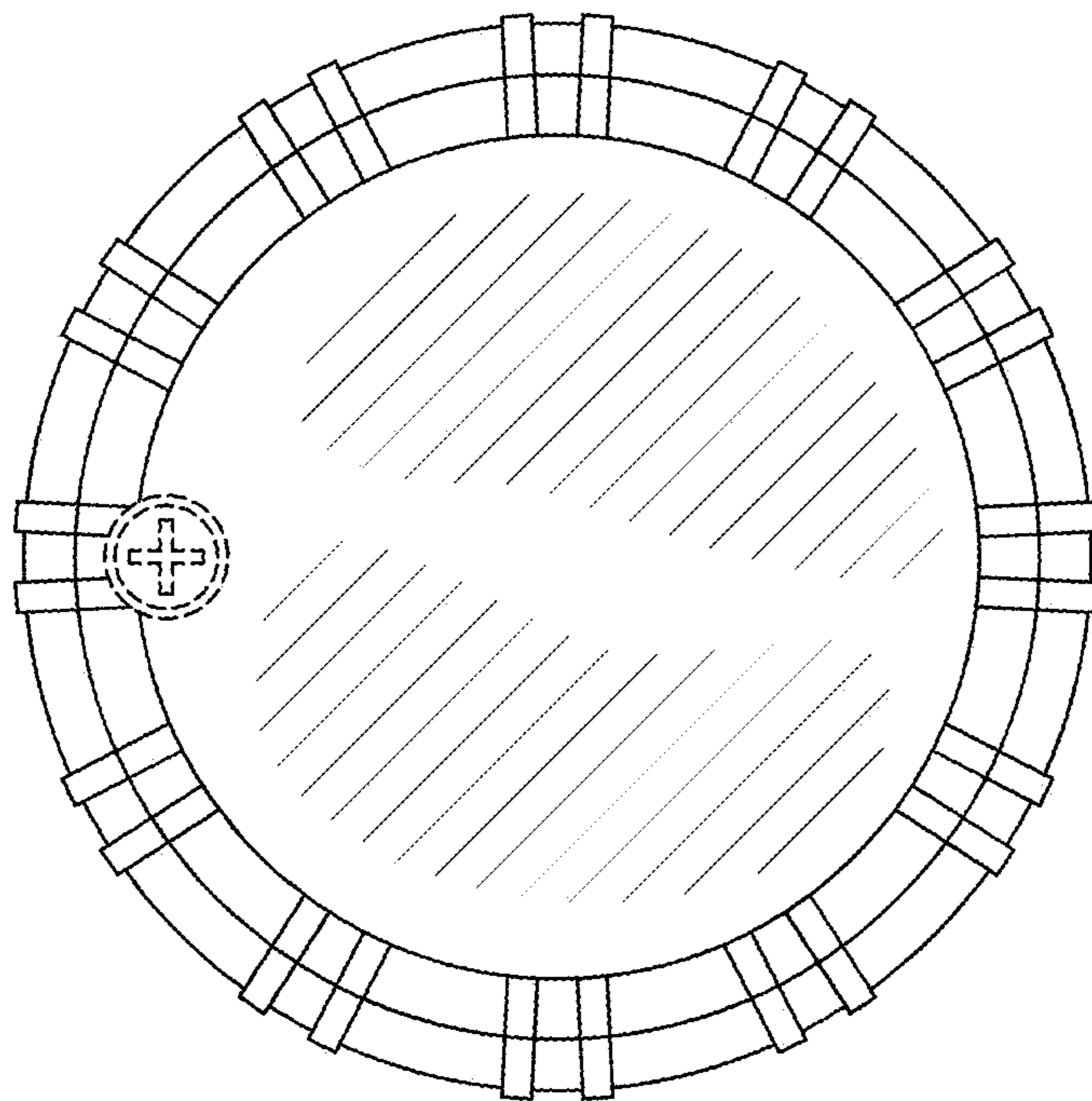


FIG. 4