



US00D963083S

(12) **United States Design Patent** (10) **Patent No.:** **US D963,083 S**
Dunahay (45) **Date of Patent:** **** Sep. 6, 2022**

(54) **WALL MOUNT FOR EXERCISE RACK**
(71) Applicant: **Coulter Ventures, LLC.**, Columbus, OH (US)
(72) Inventor: **Nash Dunahay**, Blacklick, OH (US)
(73) Assignee: **Coulter Ventures, LLC.**, Columbus, OH (US)

4,111,414 A 9/1978 Roberts
D256,865 S 9/1980 Crowe
D259,512 S 6/1981 Hallen
4,323,236 A 4/1982 Szabo
D264,756 S 6/1982 Andersson
(Continued)

(**) Term: **15 Years**
(21) Appl. No.: **29/826,590**
(22) Filed: **Feb. 14, 2022**

FOREIGN PATENT DOCUMENTS

CN 200962175 Y 10/2007
CN 101988619 A 3/2011
(Continued)

OTHER PUBLICATIONS

Rogue product advertisement dated Dec. 3, 2015 (redacted).
(Continued)

Related U.S. Application Data

(63) Continuation of application No. 29/737,288, filed on Jun. 8, 2020, now Pat. No. Des. 949,265, which is a continuation of application No. 29/650,246, filed on Jun. 5, 2018, now Pat. No. Des. 886,920.

Primary Examiner — Michael A Maharajh
(74) *Attorney, Agent, or Firm* — Banner & Witcoff, Ltd.

(51) **LOC (13) Cl.** **21-02**
(52) **U.S. Cl.**
USPC **D21/694; D21/686**

(57) **CLAIM**

The ornamental design for a wall mount for exercise rack, as shown and described.

(58) **Field of Classification Search**
USPC D21/662, 673, 686, 691, 694, 826;
D25/62, 66, 68, 119, 126, 136; D6/329;
D8/323, 354
CPC A63B 21/00047; A63B 21/078; A63B
21/169; A63B 71/023
See application file for complete search history.

DESCRIPTION

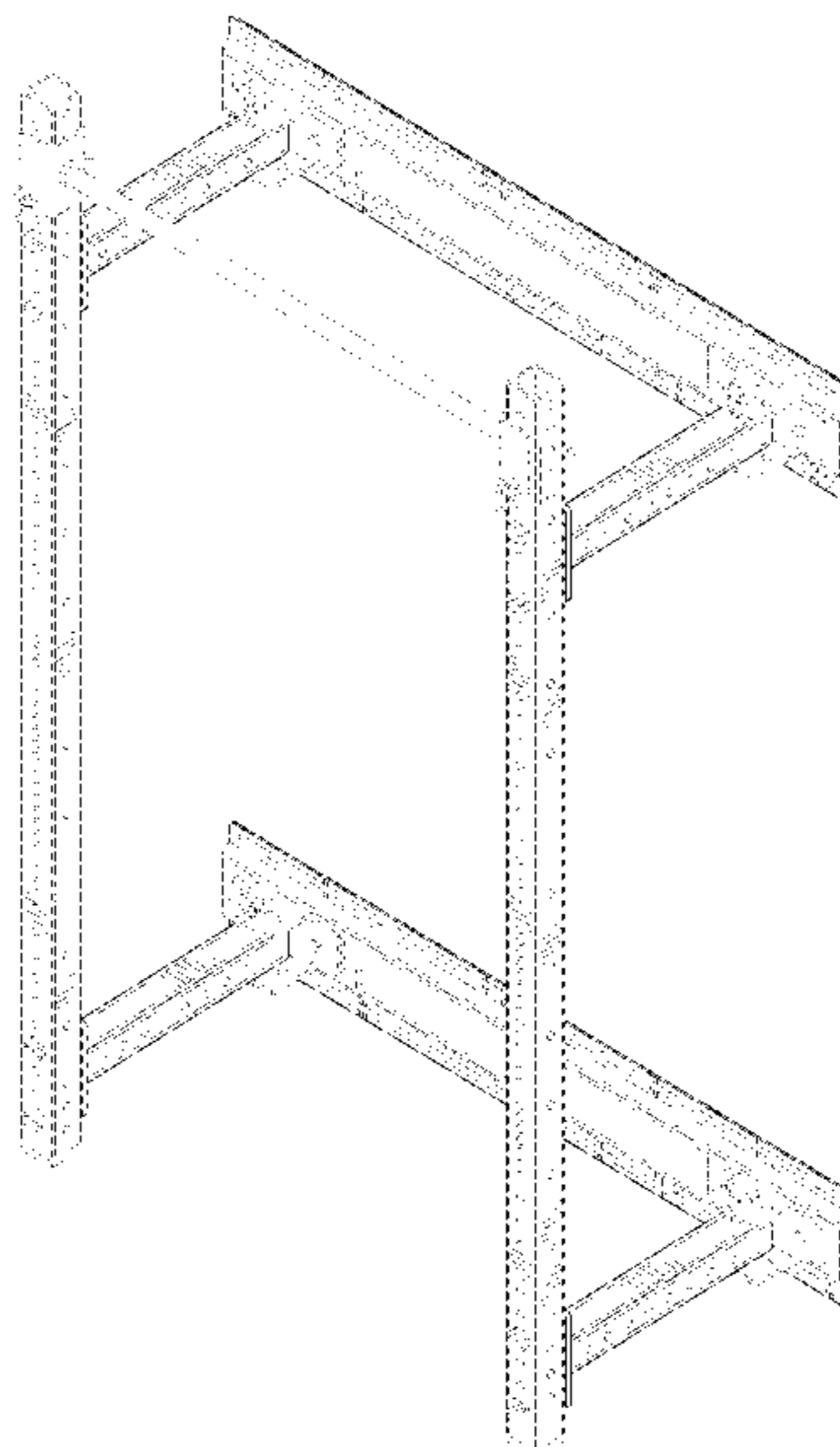
FIG. 1 is a top, front, right perspective view of a wall mount for exercise rack showing my new design;
FIG. 2 is a top, front, left perspective view thereof;
FIG. 3 is a top view thereof;
FIG. 4 is a bottom view thereof;
FIG. 5 is a right side view thereof;
FIG. 6 is a left side view thereof;
FIG. 7 is a front view thereof; and,
FIG. 8 is a bottom, front, right perspective view thereof.
The broken lines immediately adjacent to the shaded area define the bounds of the claimed design and form no part thereof. The broken lines depicting the remainder of the wall mount for exercise rack form no part of the claimed design.

(56) **References Cited**

U.S. PATENT DOCUMENTS

88,047 A 3/1869 Lawrence
D47,725 S 8/1915 Heulings
D47,726 S 8/1915 Heulings
1,410,149 A 3/1922 Williams
2,855,200 A 10/1958 Blickman
D210,469 S 3/1968 Sejersen
3,948,513 A 4/1976 Pfotenhauer

1 Claim, 8 Drawing Sheets



(56)

References Cited

U.S. PATENT DOCUMENTS

D898,137 S 10/2020 Carmichael et al.
 10,806,963 B2 10/2020 Staten
 D903,019 S 11/2020 Sotis
 10,864,401 B2 12/2020 Schween
 D906,740 S 1/2021 Parab et al.
 D907,946 S 1/2021 Parab et al.
 D909,192 S 2/2021 Koelling et al.
 D915,534 S 4/2021 Adams
 D922,809 S 6/2021 Parab et al.
 D928,253 S 8/2021 Dunahay
 D929,512 S 8/2021 Dunahay
 11,103,739 B2 8/2021 Shaw, Jr.
 D931,954 S * 9/2021 Dunahay D21/686
 D931,955 S * 9/2021 Dunahay D21/686
 11,123,595 B2 9/2021 Henniger et al.
 D942,561 S * 2/2022 Dunahay D21/686
 D949,258 S * 4/2022 Dunahay D21/686
 D949,264 S * 4/2022 Dunahay D21/694
 D949,265 S * 4/2022 Dunahay D21/694
 D952,069 S * 5/2022 Adams D21/686
 D952,776 S * 5/2022 Adams D21/686
 2001/0034289 A1 10/2001 Parrillo
 2002/0082145 A1 6/2002 Hamilton
 2002/0123415 A1 9/2002 Marques
 2003/0222041 A1 12/2003 Hong et al.
 2005/0130806 A1 6/2005 Lopez
 2005/0250619 A1 11/2005 Daikeler et al.
 2005/0272574 A1 12/2005 Lessard
 2006/0003875 A1 1/2006 Sharps
 2006/0065800 A1 3/2006 Bremmon
 2006/0145038 A1 7/2006 Chen
 2007/0072750 A1 3/2007 Andrews
 2007/0203002 A1 8/2007 Webber
 2009/0105052 A1 4/2009 Dalebout et al.
 2009/0124471 A1 5/2009 Storch
 2010/0044536 A1 2/2010 Huang
 2010/0048368 A1 2/2010 Donofrio
 2010/0171017 A1 7/2010 Chang
 2011/0240808 A1 10/2011 Skipper
 2011/0245040 A1 10/2011 Skipper
 2011/0248128 A1 10/2011 Oh
 2012/0046150 A1 2/2012 Stacey
 2012/0094812 A1 4/2012 Smiley
 2012/0115683 A1 5/2012 Ross
 2012/0329614 A1 12/2012 Schiano
 2013/0030334 A1 1/2013 Agostini
 2013/0178338 A1 7/2013 Ross
 2013/0184124 A1 7/2013 Reed
 2013/0237394 A1 9/2013 Fowler
 2013/0260970 A1 10/2013 Moskowich
 2013/0296143 A1 11/2013 Staten et al.
 2014/0094347 A1 4/2014 Orakwusi
 2014/0166834 A1 6/2014 Kuroyanagi et al.
 2014/0221163 A1 8/2014 McBride et al.
 2014/0256517 A1 9/2014 Poppinga
 2014/0302968 A1 10/2014 Velikin et al.
 2014/0323275 A1 10/2014 Moses, II
 2014/0371040 A1 12/2014 Vasquez et al.
 2015/0016919 A1 1/2015 Tambornino et al.
 2015/0059257 A1 3/2015 Beaver et al.
 2015/0065316 A1 3/2015 Towley, III et al.
 2015/0069257 A1 3/2015 Besson
 2015/0076092 A1 3/2015 Tambornino et al.
 2015/0126335 A1 5/2015 Gilson et al.
 2015/0148197 A1 5/2015 Lentz et al.
 2015/0202485 A1 7/2015 Towley, III et al.
 2015/0264823 A1 9/2015 Shirley et al.
 2015/0290488 A1 10/2015 Hopperstad et al.
 2015/0290965 A1 10/2015 Schwartz
 2016/0023035 A1 1/2016 Meyer
 2016/0250515 A1 9/2016 Hopperstad et al.
 2016/0338512 A1 11/2016 Royak
 2016/0339291 A1 11/2016 Hopperstad et al.
 2017/0065844 A1 3/2017 Hopperstad et al.
 2017/0072260 A1 3/2017 Jackson

2017/0150786 A1 6/2017 Ness et al.
 2017/0189736 A1 7/2017 Martin
 2017/0209733 A1 7/2017 Beaver et al.
 2017/0239512 A1 8/2017 Brasch et al.
 2017/0246490 A1 8/2017 Hopperstad et al.
 2017/0246496 A1 8/2017 Nelson et al.
 2017/0259101 A1 9/2017 Im
 2018/0014680 A1 1/2018 Hanley et al.
 2018/0028852 A1 2/2018 Beaver et al.
 2018/0036573 A1 2/2018 Lennox et al.
 2018/0056108 A1 3/2018 Kelly
 2018/0056116 A1 3/2018 Le Nguyen
 2018/0104522 A1 4/2018 Hopperstad et al.
 2018/0117382 A1 5/2018 Johanson et al.
 2018/0140922 A1 5/2018 Greer
 2018/0142832 A1 5/2018 Inouye
 2018/0153305 A1 6/2018 Haines
 2018/0154234 A1 6/2018 Pack et al.
 2018/0178051 A1 6/2018 Shaw, Jr.
 2018/0185694 A1 7/2018 Schween
 2018/0243597 A1 8/2018 Schlegel
 2018/0318635 A1 11/2018 Lee
 2018/0326250 A1 11/2018 Henniger et al.
 2019/0046835 A1 2/2019 Henniger et al.
 2019/0126088 A1 5/2019 Henniger et al.
 2019/0240521 A1 8/2019 Staten
 2019/0269992 A1 9/2019 Dunahay
 2020/0114195 A1 4/2020 Henniger et al.
 2020/0384337 A1 12/2020 Brasch et al.
 2020/0391070 A1 12/2020 Henniger et al.
 2021/0070368 A1 3/2021 Toda et al.
 2021/0213321 A1 7/2021 Silveira

FOREIGN PATENT DOCUMENTS

CN 201925694 U 8/2011
 CN 202812711 U 3/2013
 CN 203375141 U 1/2014
 EP 2400205 A1 12/2011
 GB 6078139 12/2019
 KR 300772557.0000 12/2013
 WO 2008054720 A2 5/2008
 WO 2009003280 A1 1/2009

OTHER PUBLICATIONS

Rogue fitness product video screenshots from <<https://www.youtube.com/watch?v=TRpmZ68p5Hw>>, dated Sep. 19, 2017.
 Gorilla Fitness product advertisement dated Apr. 16, 2018 (redacted).
 Bulldog Gear product advertisement dated Jan. 11, 2018.
 Pure Strength product listing dated Sep. 6, 2018 from <<https://www.pure-strength.com/collections/slim-gym-utility-plate>>.
 Titan Fitness product listing dated Sep. 6, 2018 from <<https://www.titan.fitness/t-3-folding-power-rack-stringers.html>>.
 Titan Fitness product listing dated Sep. 6, 2018 from <<https://www.titan.fitness/41-inch-deep-folding-wall-mount-rack.html>> (product known to be available as of Mar. 2, 2016).
 Product listing for Rogue V2 Face Mount Pull-up Bar for Monster Lite from <https://web.archive.org/web/20161105161238/https://www.roguefitness.com/rogue-v2-face-mount-pull-up-bar-for-monster-lite>, dated Nov. 5, 2016.
 Jan. 11, 2019—(WO) ISR and WO—App No. PCT/US2018/059018.
 Oct. 6, 2020—(AU) Examination Report—App 2018360038.
 Rogue P-3 Pull-Up System; <https://web.archive.org/web/20160901091143/http://www.roguefitness.com/p3-pullup-system>; 5 pages downloaded Dec. 7, 2020.
 Rogue P-5V Garage Pull-Up System; <https://web.archive.org/web/20160812065929/http://www.roguefitness.com:80/rogue-p-5v-garage-pullup-system>; 13 pages downloaded Dec. 7, 2020.
 Product listing for Rogue RML-3W Fold Back Wall Mount Rack, from <<https://web.archive.org/web/20180724134619/https://www.roguefitness.com/rogue-rml-3w-fold-back-wall-mount-rack>>, dated Jul. 24, 2018.

(56)

References Cited

OTHER PUBLICATIONS

Product listing for Folding MyRack Base, from <https://www.forceusa.com/collections/all/products/myrack-folding-power-rack?utm_source=google&utm_medium=cpc&utm_campaign=generic&gclid=EAIalQobChMlv9bwye6n5wIVysDACH3bBwodEAAYBCAAEgIb7vDBwE>, dated Feb. 6, 2020.

Product listing for Rogue R-3W Fold Back Wall Mount Rack, from <<https://web.archive.org/web/20181022030706/https://www.roguefitness.com/rogue-r-3w-fold-back-wall-mount-rack>>, dated Oct. 22, 2018.

Product listing for Rogue RML-3WC Fold Back Wall Mount Rack, from <<https://web.archive.org/web/20171102102928/http://www.roguefitness.com/rogue-rml-3wc-fold-back-wall-mount-rack-custom-color-edition>>, dated Nov. 2, 2017.

Product listing for Rogue RML-3 Rogue Monster Lite R-3, from <<https://web.archive.org/web/20170623162215/http://www.roguefitness.com/rml-3-rogue-monster-lite-r-3>>, dated Jun. 23, 2017.

<https://gearmashers.com/rogue-fitness-jammer-pull-up-bar-review/> (Year: 2020).

Dec. 18, 2020—(CN) Office Action—App 201880085010.6.

Pull up bar by Rogue dated Jun. 4, 2018. Found online [Feb. 4, 2019] <https://www.roguefitness.com/rogue-jammer-pull-up-bar?bvstate=pg:4/ct:r>.

Screenshot of Level Mount tv mount from <https://www.youtube.com/watch?v=YUVvZr3qTrc>, dated Mar. 26, 2012, accessed Jun. 2, 2020.

Screenshot of Abt Electronics wall mount from <https://www.youtube.com/watch?v=XJEMJhEleH0>, dated Jun. 6, 2013, accessed Jun. 2, 2020.

Screenshot of Show Me Cables ultra slim tv wall mount from <https://www.youtube.com/watch?v=UfcsWN7brCg>, dated Jun. 27, 2016, accessed Jun. 2, 2020.

Screenshot of Texonic Model LX67 wall mount from <https://www.youtube.com/watch?v=ojTXO9edjEc>, dated Jul. 5, 2017, accessed Jun. 2, 2020.

Screenshot of Sony SUWL450 wall mount from https://www.amazon.co.uk/Sony-SUWL450-Wall-Mount/dp/B00IZEIZB4/ref=sr_1_20?keywords=Sony+Wall+Mount+Bracket&qid=1580915273&sr%2E%80%A6, dated Mar. 14, 2014.

Screenshot of Sony Durotic TV Bracket TV123M wall mount from https://www.amazon.co.uk/dp/B001PHBZFQ/ref=psdc_1338216031_t4_B07MX3Q3NZ, dated Jan. 12, 2009.

Screenshot of wall mounting bracket Dv5 from Hornung's Industrial Gas Catalogue, <http://my.page2flip.de/1672972/2178732/2178865/pdf/CatalogueforindustrialgascontrolequipmentHornungGmbH.pdf>, dated Jan. 2013.

Screenshot of wall mounting bracket D2 from Hornung's Industrial Gas Catalogue, <http://my.page2flip.de/1672972/2178732/2178865/pdf/CatalogueforindustrialgascontrolequipmentHornungGmbH.pdf>, dated Jan. 2013, accessed Feb. 6, 2020.

Screenshot of wall mounting bracket painted from Hornung's Industrial Gas Catalogue, <http://my.page2flip.de/1672972/2178732/2178865/pdf/CatalogueforindustrialgascontrolequipmentHornungGmbH.pdf>, dated Jan. 2013, accessed Feb. 6, 2020.

Screenshot of wall mounting bracket in stainless steel electropolishing from Hornung's Industrial Gas Catalogue, <http://my.page2flip.de/1672972/2178732/2178865/pdf/CatalogueforindustrialgascontrolequipmentHornungGmbH.pdf>, dated Jan. 2013, accessed Feb. 6, 2020.

Screenshot of wall mounting bracket in stainless steel, electropolishing, HP 550-552 from Hornung's Industrial Gas Catalogue, <http://my.page2flip.de/1672972/2178732/2178865/pdf/CatalogueforindustrialgascontrolequipmentHornungGmbH.pdf>, dated Jan. 2013, accessed Feb. 6, 2020.

Screenshot of Altecnic Expansion Vessel Bracket from https://www.amazon.co.uk/dp/B00QVM4LCE/ref=sspa_dk_detail_0?psc=1&pd_rd_i=B00QVM4LCE&pd_rd_w=6dXas&pf_rd_p=1055d8b2-c10c-4%E2%80%A6, dated Dec. 11, 2014, accessed Feb. 5, 2020.

Screenshot of Reflex Winkelmann Wall Holder from <https://www.amazon.co.uk/Reflex-Winkelmann-7611000-Holder-25-Litre/dp/B0017UWL6I>, dated Dec. 13, 2012, accessed Feb. 5, 2020.

Design View Registered Community Design No. 002104463-0001, dated Sep. 17, 2012.

Design View Registered Community Design No. 00765862-0001, dated Jul. 27, 2007.

Design View Registered Community Design No. 000153796-0002, dated Feb. 25, 2004.

Screenshot of Mammoth Lite Folding Rack from Bulldog Gear Instagram account, dated Jan. 11, 2018.

Screenshot of Folding Rack from Bulldog Gear Instagram account, dated Oct. 2, 2018.

Screenshot of wall bracket from Weinmann-Schanz, <http://web.archive.org/web/20170909025230/http://www.weinmann-schanz.de/de/de/Heizung/Neu-im-Sortiment/W%C3%A4rmeerzeuger-Speicher/pid.1143.1160/agid.90421.90432.105367/ecm.ag/Abstandsmontageplatten-f%C3%BCr-Wandkonsolen.html>, dated Sep. 9, 2017.

Screenshot of wall bracket from Weinmann-Schanz, <https://www.weinmann-schanz.de/de/de/Heizung/W%C3%A4rmeerzeuger-Speicher/Abgassysteme/Edelstahl-Abgassystem-Uni-DW-doppelwandig/Abstandsmontageplatten-f%C3%BCr-Wandkonsolen-sid134351.htm>, accessed Feb. 6, 2020.

Screenshot of wall bracket from Weinmann-Schanz, <http://web.archive.org/web/20170529161506/http://www.weinmann-schanz.de:80/de/de/Heizung/Neu-im-Sortiment/W%C3%A4rmeerzeuger-Speicher/pid.1143.1160/agid.90421.90432.105379/ecm.ag/Abstandsmontageplatten-f%C3%BCr-Wandhalter.html>, dated May 29, 2017.

Screenshot of wall bracket from Weinmann-Schanz, <https://www.weinmann-schanz.de/de/de/Heizung/W%C3%A4rmeerzeuger-Speicher/Abgassysteme/Edelstahl-Abgassystem-Uni-DW-doppelwandig/Abstandsmontageplatten-f%C3%BCr-Wandhalter-sid182096.html>, accessed Feb. 11, 2020.

Coulter Ventures LLC v Bulldog Gear Limited, UK High Court (Eng. & Wales), Claim No. HP-2019-000054, Defence and Counterclaim, dated Feb. 13, 2020.

Coulter Ventures LLC v Bulldog Gear Limited, High Court (Eng. & Wales), Claim No. HP-2019-000054, Defendant's Initial Disclosure List of Documents, dated Feb. 12, 2020.

Coulter Ventures LLC v Bulldog Gear Limited, High Court (Eng. & Wales), Claim No. HP-2019-000054, Amended Defence and Counterclaim, dated Apr. 23, 2020.

Coulter Ventures LLC v Bulldog Gear Limited, High Court (Eng. & Wales), Claim No. HP-2019-000054, Amended Defendant's Initial Disclosure List of Documents, dated Apr. 23, 2020.

Coulter Ventures LLC v Bulldog Gear Limited, High Court (Eng. & Wales), Claim No. HP-2019-000054, Re-Amended Defence and Counterclaim, dated Feb. 4, 2021.

Coulter Ventures LLC v Bulldog Gear Limited, High Court (Eng. & Wales), Claim No. HP-2019-000054, Claim Form and Particulars of Claim, dated Dec. 18, 2019.

Coulter Ventures LLC v Bulldog Gear Limited, High Court (Eng. & Wales), Claim No. HP-2019-000054, Claimant's Initial Disclosure List of Documents, dated Dec. 18, 2019.

Coulter Ventures LLC v Bulldog Gear Limited, High Court (Eng. & Wales), Claim No. HP-2019-000054, Reply and Defence to Counterclaim, dated Apr. 2, 2020.

Coulter Ventures LLC v Bulldog Gear Limited, High Court (Eng. & Wales), Claim No. HP-2019-000054, Amended Claim Form and Amended Particulars of Claim, dated Dec. 23, 2020.

Coulter Ventures LLC v Bulldog Gear Limited, High Court (Eng. & Wales), Claim No. HP-2019-000054, Amended Reply and Defence to Counterclaim, dated Feb. 18, 2021.

Jun. 8, 2021—(CA) Office Action—App 3,081,723.

Jun. 8, 2021—(CN) Office Action—App 201880085010.6.

Jul. 30, 2021—(EP) Extended European Search Report—App 18872756.4.

Rogue Fitness: "Installing the RML-3W with the new Rogue Stringer", Sep. 19, 2017 (Sep. 19, 2017), XP054982060, Retrieved from the Internet: URL: <https://www.youtube.com/watch?v=TRpmZ68p5Hw> [retrieved on Jul. 13, 2021].

(56)

References Cited

OTHER PUBLICATIONS

Sep. 13, 2021—(CN) Office Action—App 201880085010.6.
Speedway motors store, announced 2019[online], [site visited Dec. 2, 2021]. Available on internet, URL:<https://www.amazon.com/Aluminum-Radiator-Mounting-Bracket-Pads/dp/B07Y5LXM2G/ref> (Year: 2019).
FringeSportStore, announced 2017[online], [site visited Dec. 2, 2021]. Available on internet, URL:<https://www.amazon.com/Fringe-Sport-Attachment-Weightlifting-Heavy-Duty/dp/B06XQD5ZR4/ref> (Year: 2017).
BodySolidStore, announced 2016[online], [site visited Dec. 2, 2021]. Available on internet, URL:<https://www.amazon.com/Body-Solid-LO378-Lift-Offs-BLACK/dp/B00KY8S5YQ/ref> (Year: 2016).
Dec. 14, 2021—(CN) 4th Office Action—App 201880085010.6.
Jan. 18, 2022—(CA) 2nd Office Action—App 3,081,723.

* cited by examiner

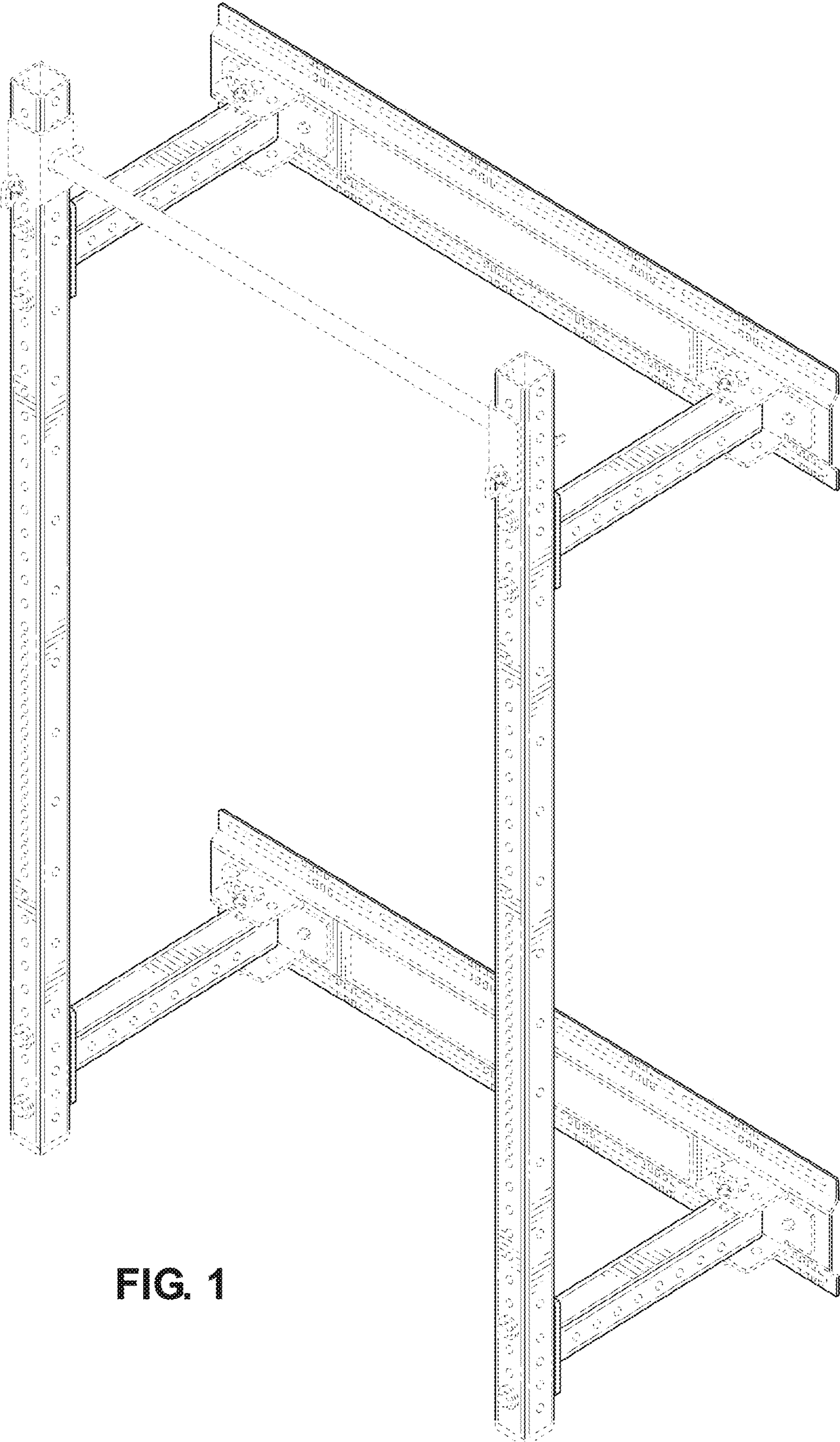


FIG. 1

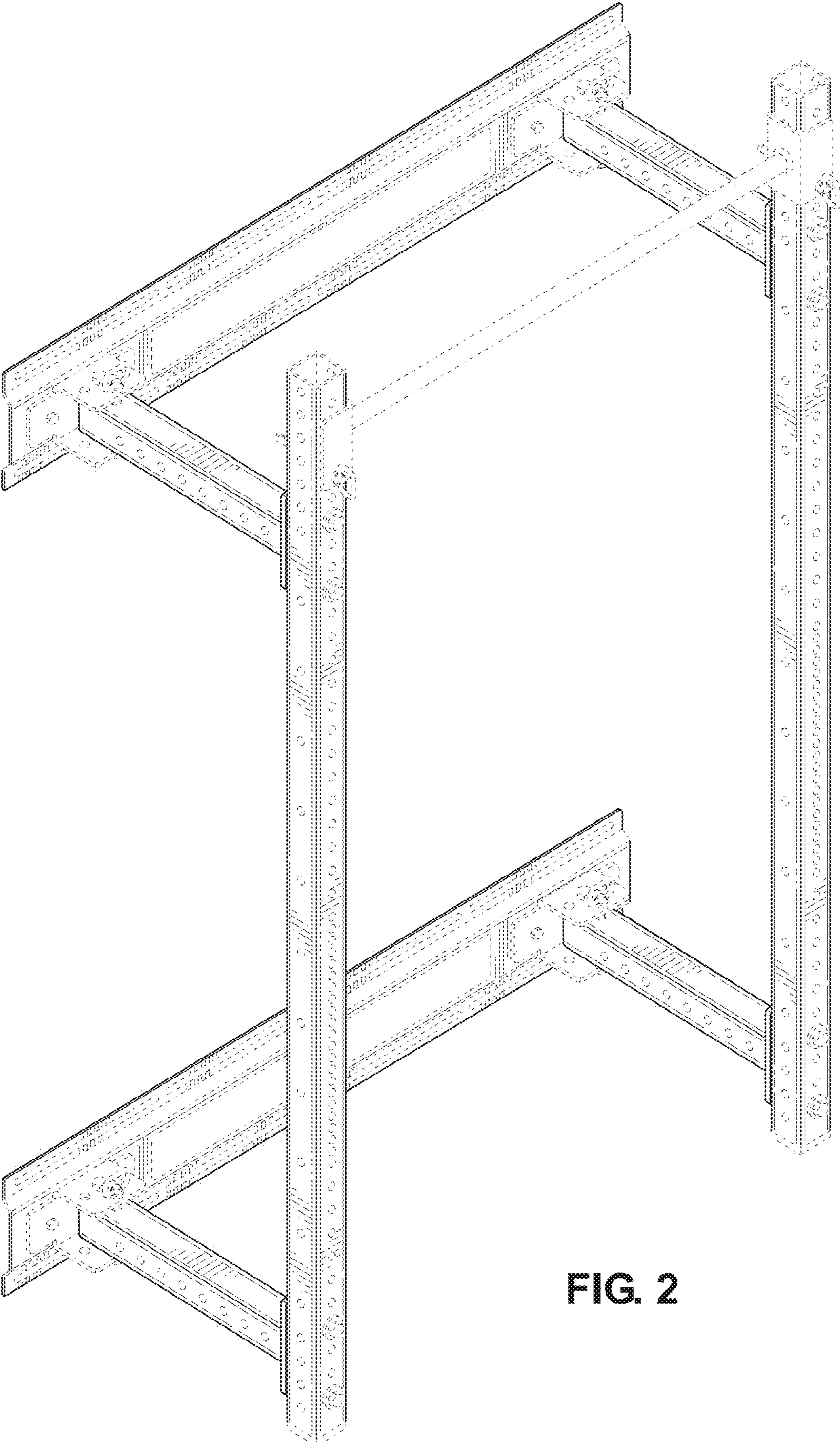


FIG. 2



FIG. 3



FIG. 4

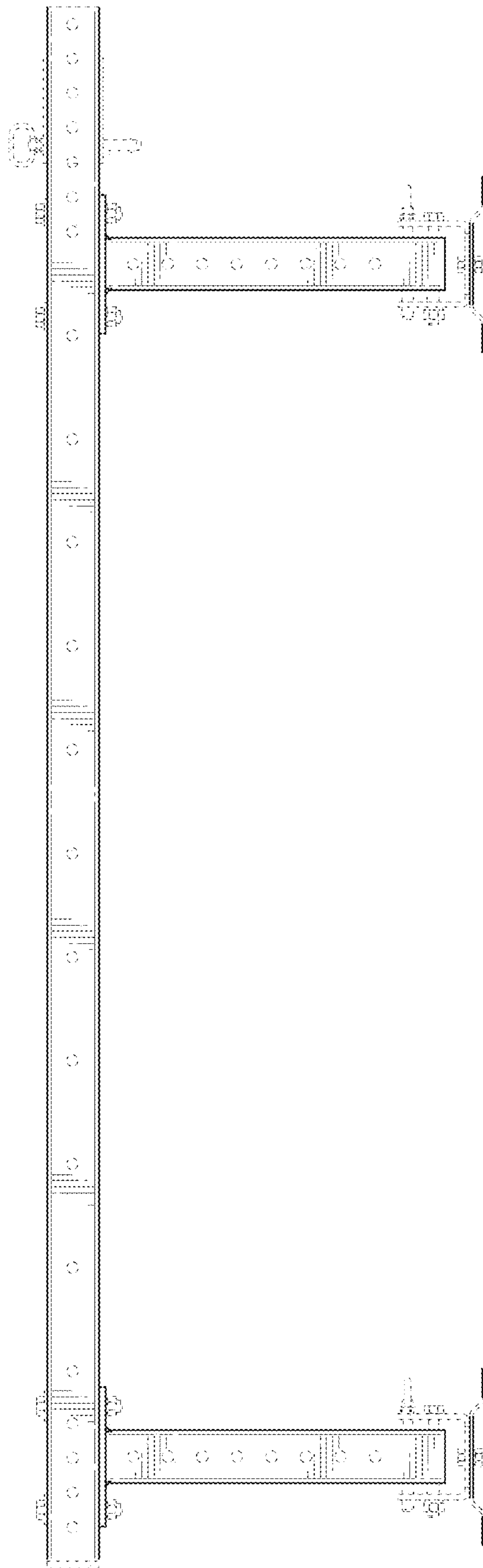


FIG. 5

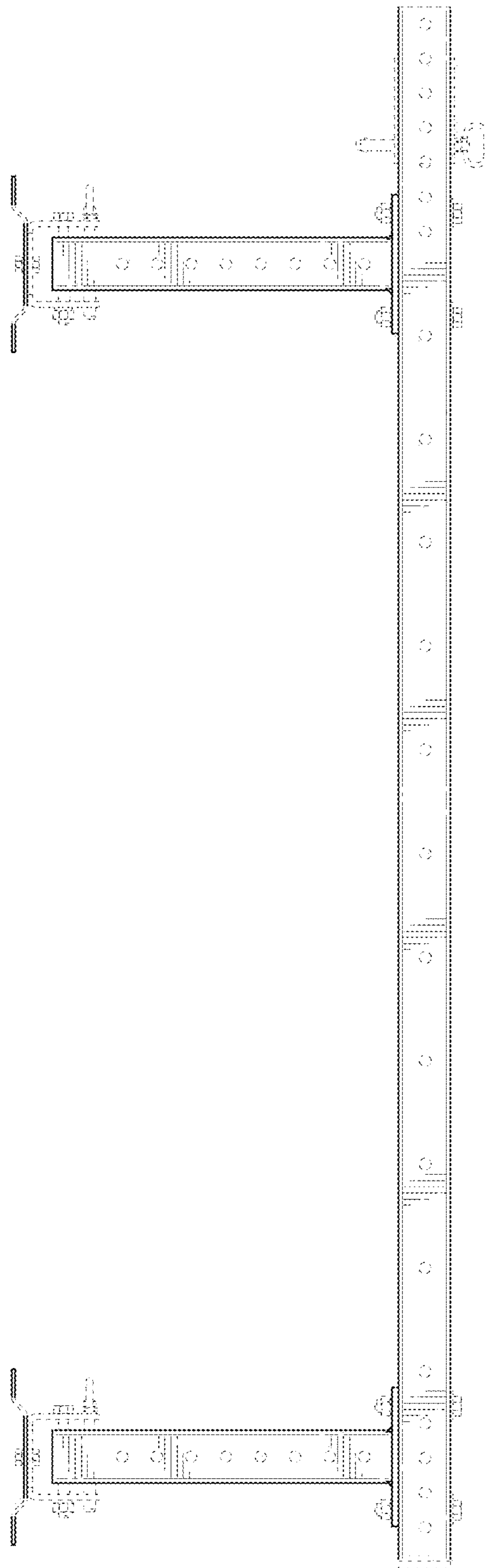


FIG. 6

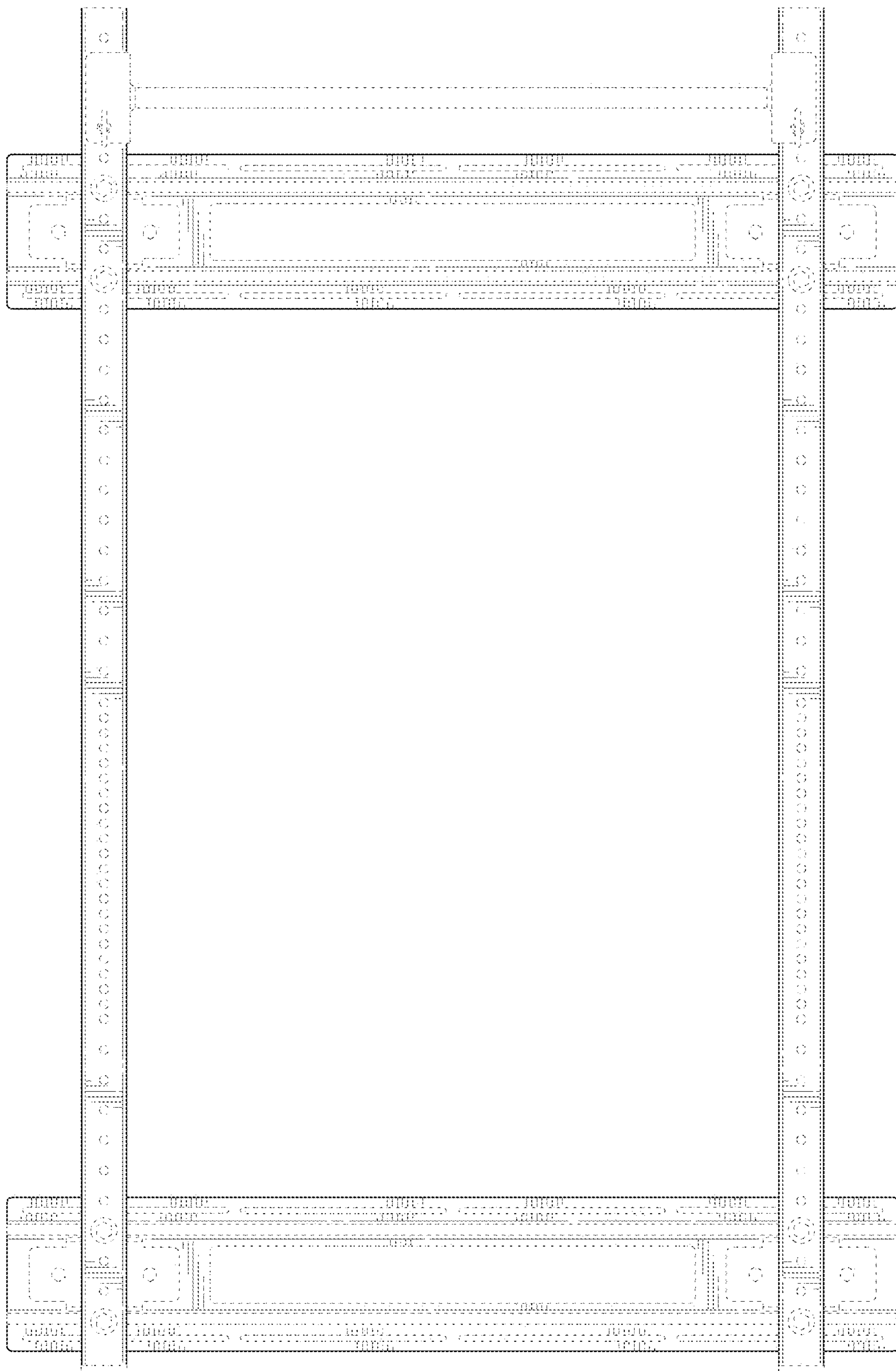


FIG. 7

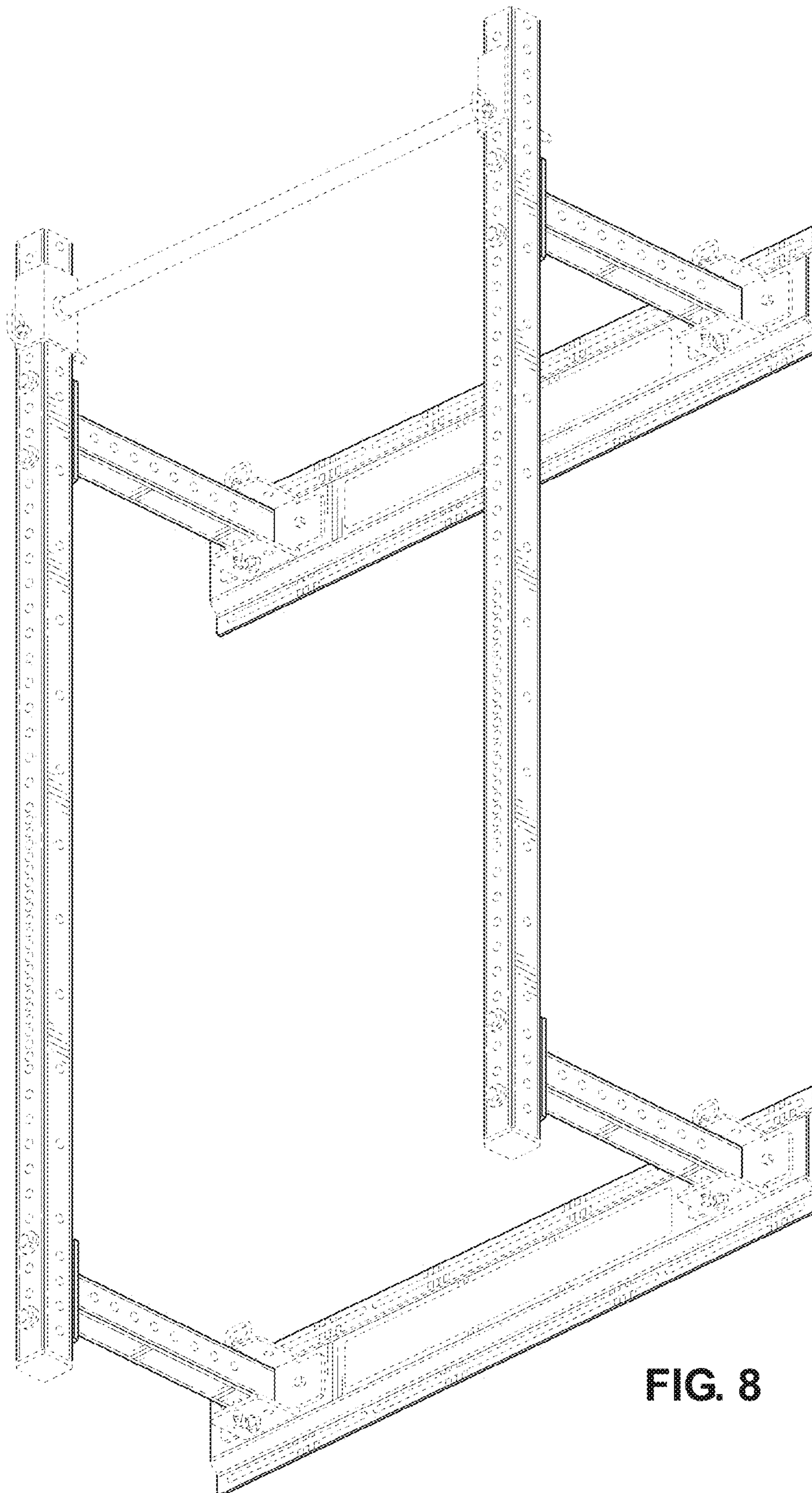


FIG. 8