



US00D963079S

(12) **United States Design Patent** (10) **Patent No.:** **US D963,079 S**
Lin et al. (45) **Date of Patent:** **** Sep. 6, 2022**

(54) **WEIGHTED VEST**
(71) Applicant: **Jiabin Lin**, Guangzhou (CN)
(72) Inventors: **Jiabin Lin**, Guangzhou (CN); **Donald Ray Wilder**, Kootenai County, ID (US)
(73) Assignee: **Jiabin Lin**, Guangzhou (CN)
(**) Term: **15 Years**
(21) Appl. No.: **29/829,956**
(22) Filed: **Mar. 9, 2022**
(51) **LOC (13) Cl.** **21-02**
(52) **U.S. Cl.**
USPC **D21/683**
(58) **Field of Classification Search**
USPC D21/798, 692, 804, 654, 487, 679, 688,
D21/412, 400, 791, 725, 386, 694, 680,
D21/683, 690, 691, 686, 671, 673, 682,
D21/685, 684, 687, 693, 698, 771, 773,
D21/774, 797, 753, 756, 787, 807, 826,
D21/662; D2/624, 625, 627, 626, 640,
D2/639; D29/100, 101.1, 101.5, 101.2,
D29/101.3, 101.4
See application file for complete search history.

(56) **References Cited**

U.S. PATENT DOCUMENTS

D278,090 S * 3/1985 Cochran D21/683
D340,542 S * 10/1993 Marlowe D29/101.1
D375,581 S * 11/1996 Dyer D29/101.1
D409,697 S * 5/1999 Ott D21/683
D452,047 S * 12/2001 Ditchfield D29/100
D482,499 S * 11/2003 Garrido D29/100
6,675,391 B2 * 1/2004 Morrison A63B 21/065
2/102
D614,400 S * 4/2010 Simonian D3/217
D645,209 S 9/2011 Lin
D677,433 S * 3/2013 Swan D29/100
D767,824 S * 9/2016 Hilliard D29/100
D777,378 S * 1/2017 Tien D29/101.4

D842,400 S 3/2019 Ross
D878,610 S * 3/2020 Boston D29/101.1
D940,798 S * 1/2022 Coughlan A63B 21/4005
D21/683

OTHER PUBLICATIONS

ZFO sports, announced 2009 [online], [site visited Jul. 8, 2022]. Available on internet, URL:https://www.amazon.com/ZFOsports%C2%AE-80LBS-ADJUSTABLE-WEIGHTED-VEST/dp/B002P61M7C/ref (Year: 2009).*
Vbestlife, announced 2020 [online], [site visited Jul. 8, 2022]. Available on internet, URL:https://www.amazon.com/Breathable-Weighted-Training-Strength-Fitness/dp/B086WJX6JQ/ref (Year: 2020).*
Bestco Products, announced 2013 [online], [site visited Jul. 8, 2022]. Available on internet, URL:https://www.amazon.com/BESTCO-PRODUCTS-Weighted-Exercise-Fitness/dp/B007BYX7I0/ref (Year: 2013).*

* cited by examiner

Primary Examiner — Khawaja Anwar
Assistant Examiner — Julice Seung Eun Oum
(74) *Attorney, Agent, or Firm* — Jeenam Park

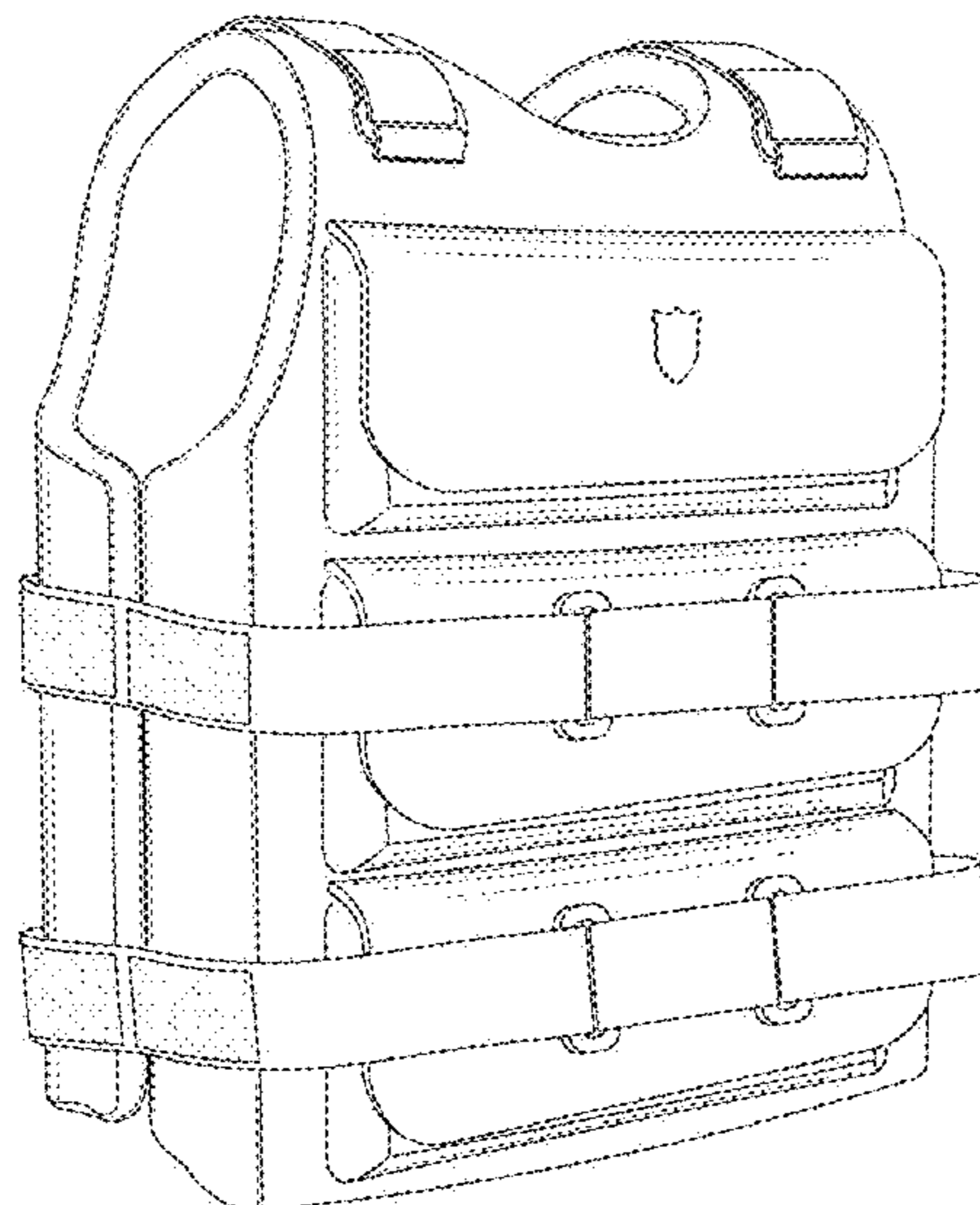
(57) **CLAIM**

The ornamental design for a weighted vest, as shown and described.

DESCRIPTION

FIG. 1 is a perspective view of a weighted vest, showing our new design;
FIG. 2 is a front view thereof;
FIG. 3 is a rear view thereof;
FIG. 4 is a top plan view thereof;
FIG. 5 is a bottom plan view thereof;
FIG. 6 is a left side view thereof; and,
FIG. 7 is a right side view thereof.

1 Claim, 7 Drawing Sheets



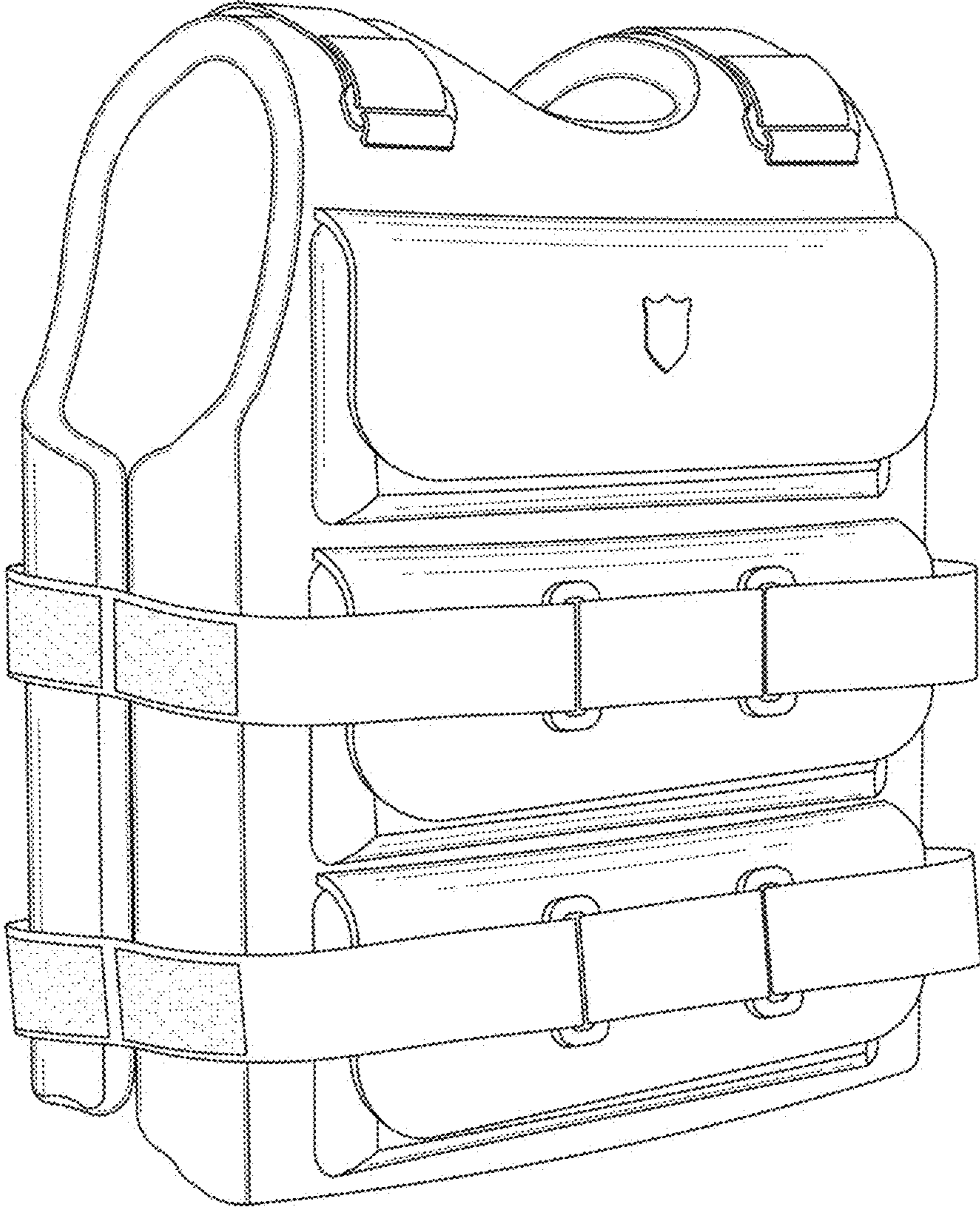


FIG. 1

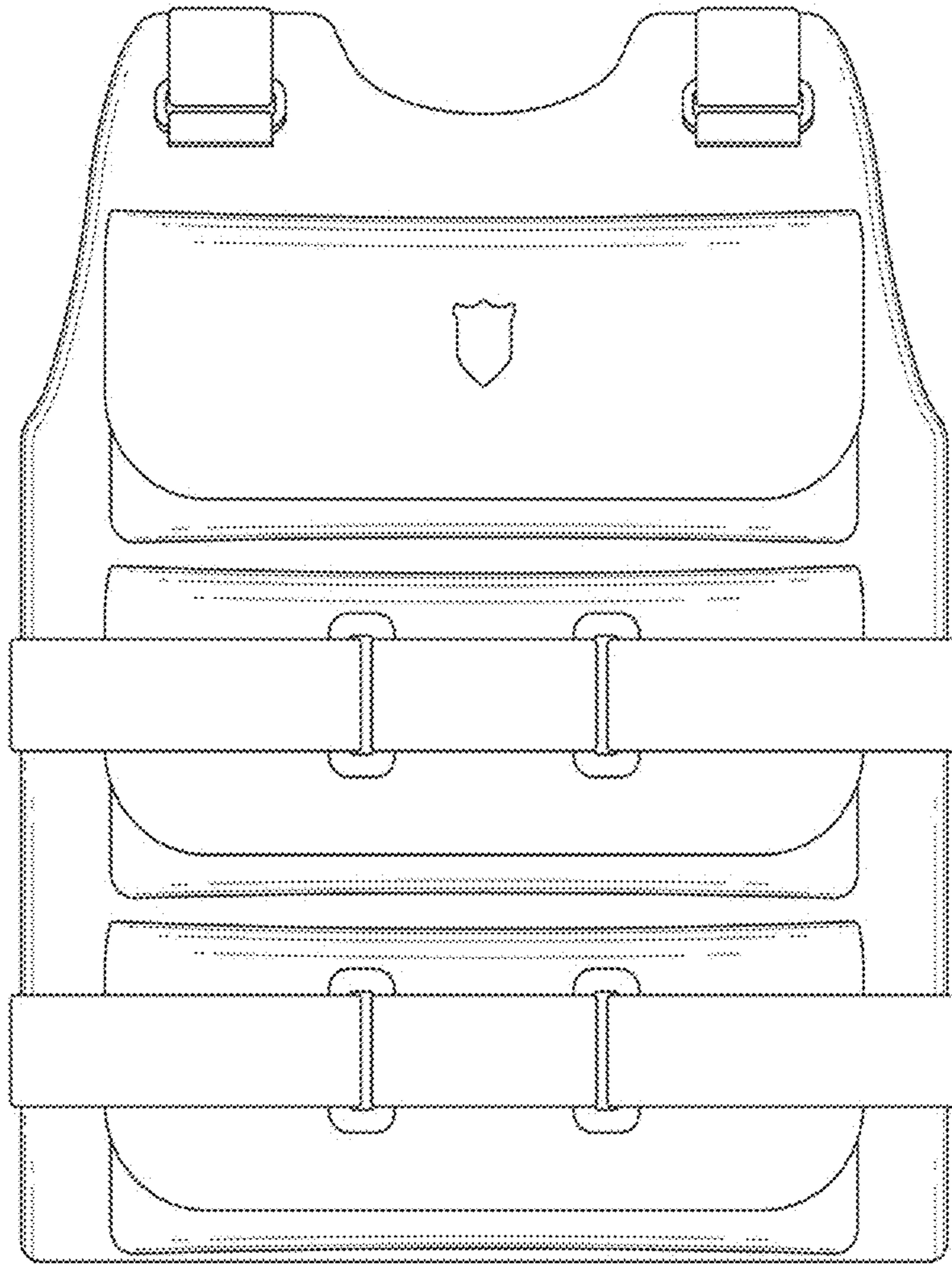


FIG. 2

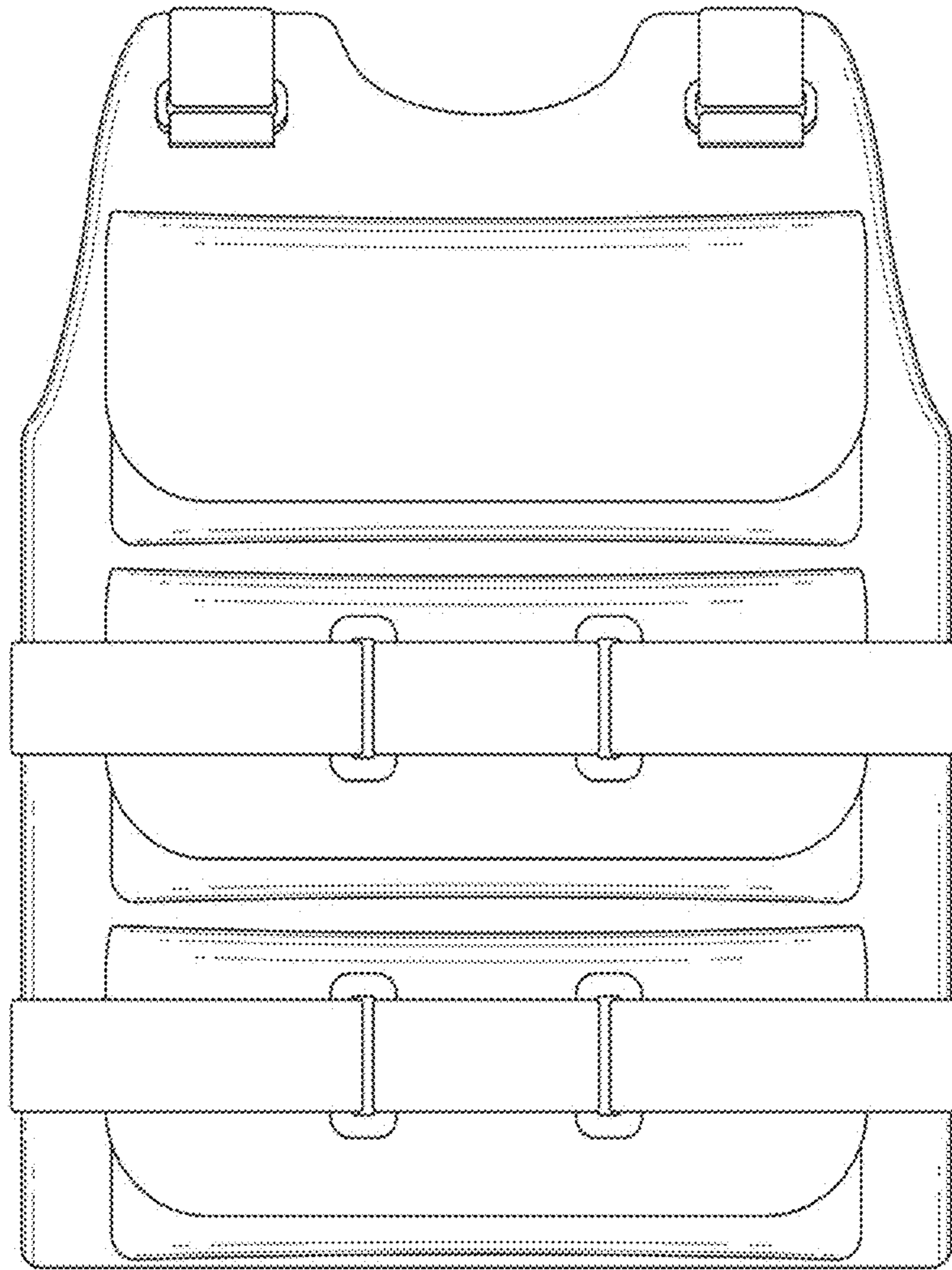


FIG. 3

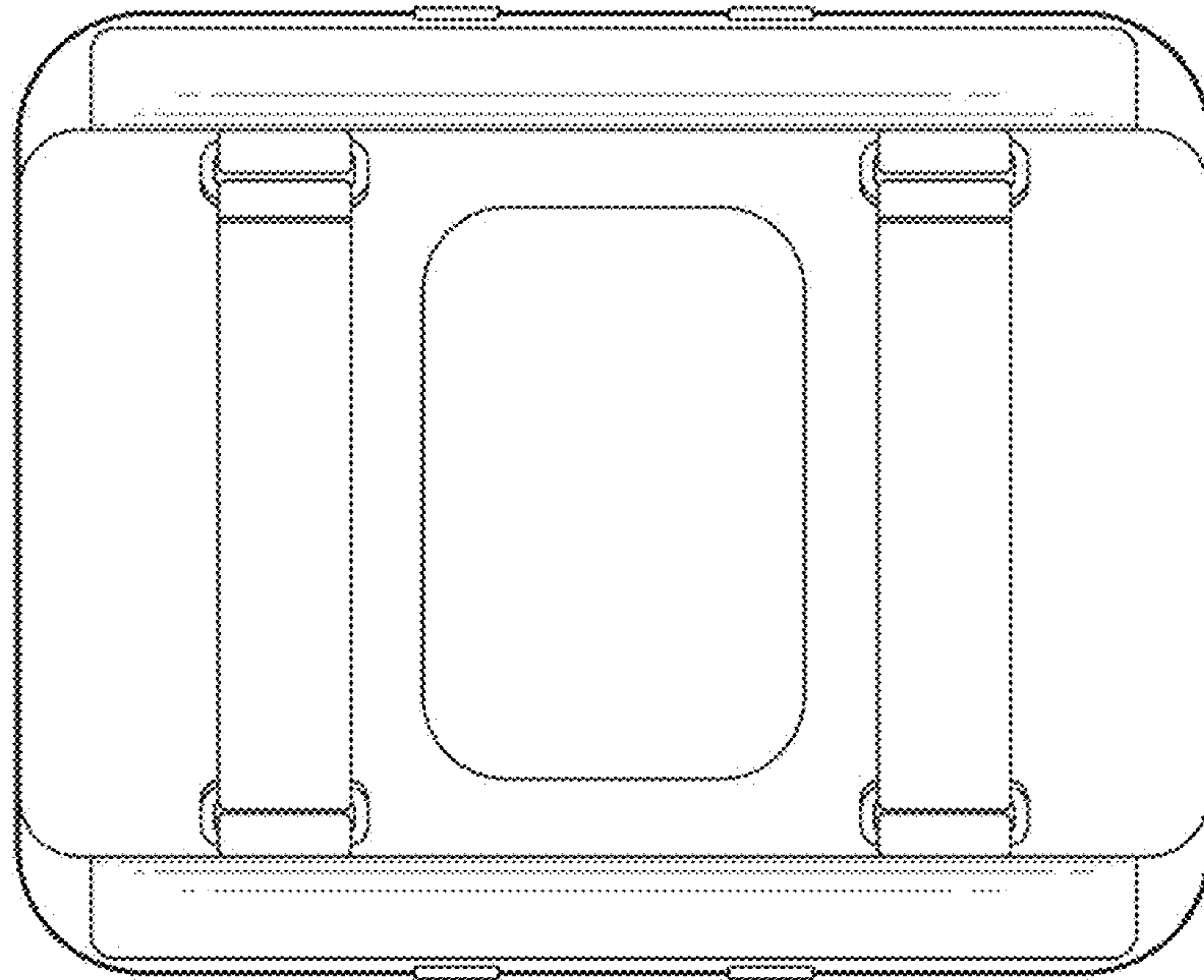


FIG. 4

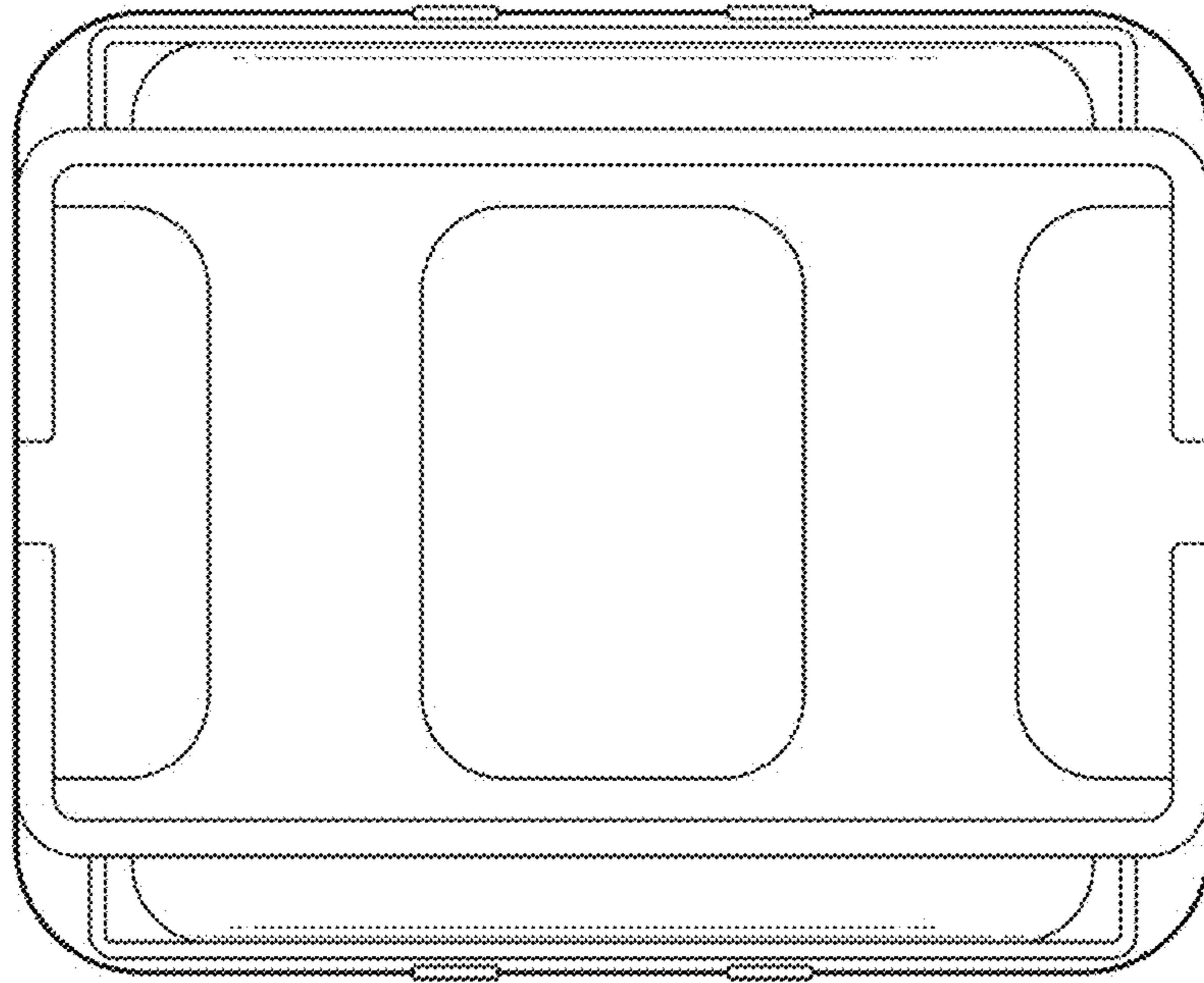


FIG. 5

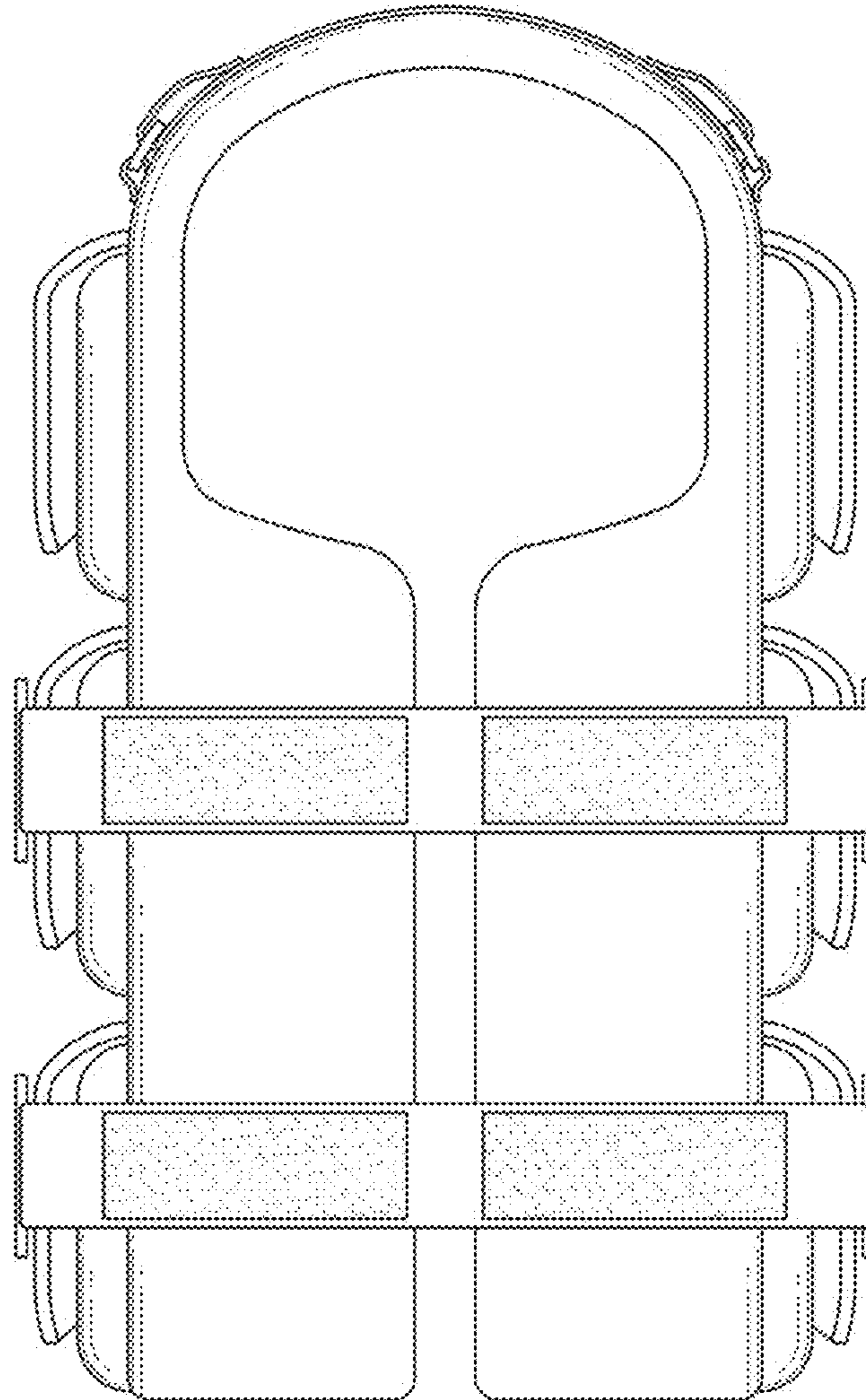


FIG. 6

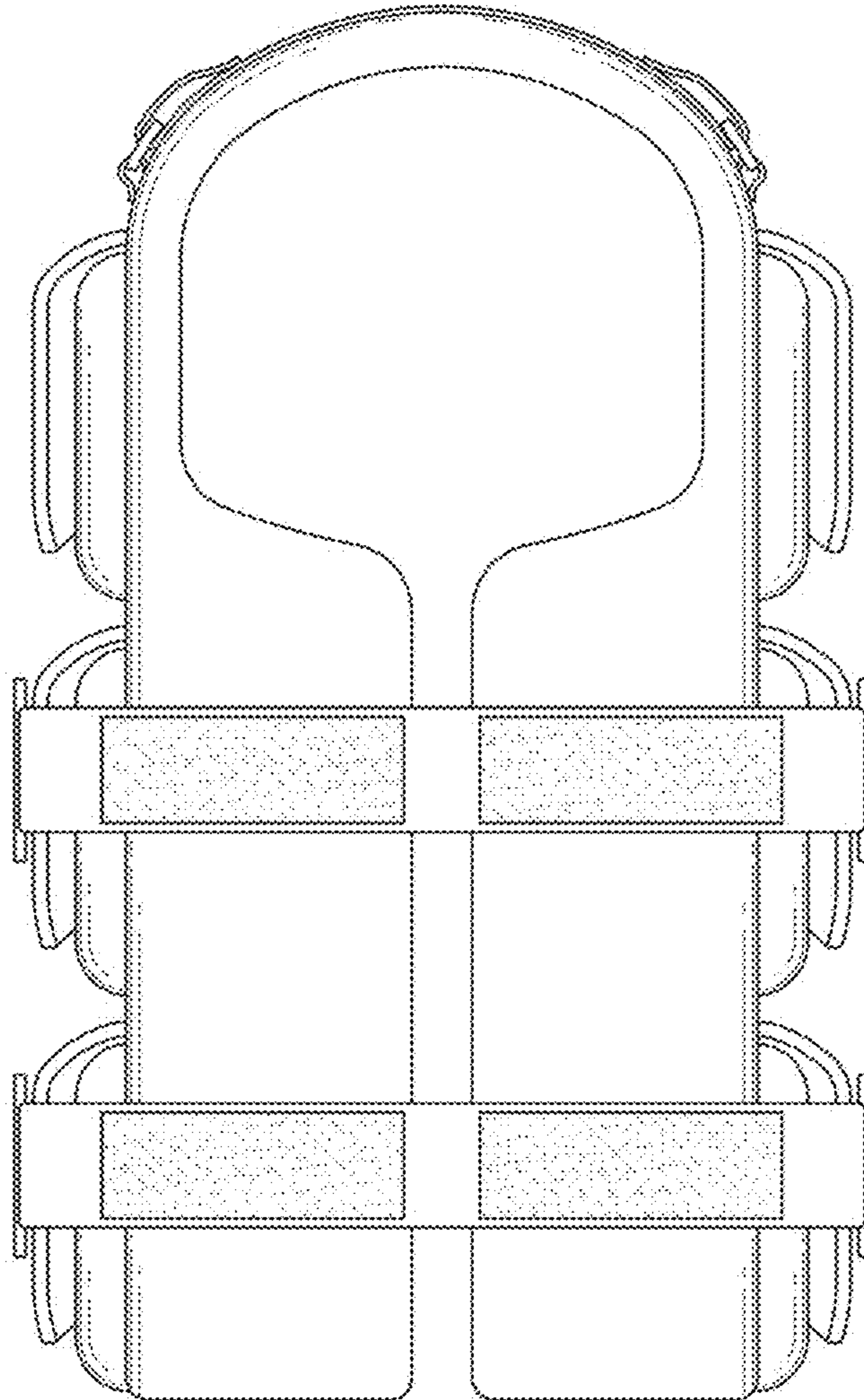


FIG. 7