



US00D963078S

(12) **United States Design Patent**
Henniger et al.

(10) **Patent No.:** **US D963,078 S**

(45) **Date of Patent:** **** Sep. 6, 2022**

(54) **DUMBBELL**

- (71) Applicant: **Coulter Ventures, LLC.**, Columbus, OH (US)
- (72) Inventors: **William Henniger**, Columbus, OH (US); **Anahita Ameri**, Columbus, OH (US); **Ahmik Jones**, Upper Arlington, OH (US)
- (73) Assignee: **Coulter Ventures, LLC.**, Columbus, OH (US)

(**) Term: **15 Years**

(21) Appl. No.: **29/767,527**

(22) Filed: **Jan. 22, 2021**

(51) **LOC (13) Cl.** **21-02**

(52) **U.S. Cl.**
USPC **D21/681**

(58) **Field of Classification Search**
USPC D6/552; D21/662, 667-682, 684, 685, D21/686, 692, 694
CPC A63B 2220/12; A63B 21/062; A63B 2220/13; A63B 69/3632; A63B 21/075; A63B 21/063; A63B 21/0628; A63B 21/0724
See application file for complete search history.

(56) **References Cited**

U.S. PATENT DOCUMENTS

6,099,443	A *	8/2000	Landfair	A63B 21/072
6,132,344	A *	10/2000	Vanderbleek	A63B 21/072
D545,927	S *	7/2007	Lien	D21/681
D650,289	S *	12/2011	Bosiljevac	D9/668
D708,479	S *	7/2014	Kramer	D7/901
D708,480	S *	7/2014	Kramer	D7/901
D710,241	S *	8/2014	Vaughan	D11/81

(Continued)

FOREIGN PATENT DOCUMENTS

CN 307049828 * 1/2022

OTHER PUBLICATIONS

Amazon Basics Rubber Encased Hex Dumbbell Hand Weight, first available Jan. 12, 2018, amazon.com [online], site visited [Mar. 29, 2022], Available from internet URL:https://www.amazon.com/AmazonBasics-Rubber-Encased-Hex-Dumbbell/dp/B0747JPR1F?th=1 (Year: 2018).*

Primary Examiner — Garth Rademaker

Assistant Examiner — Salamah Jordan

(74) *Attorney, Agent, or Firm* — Banner & Witcoff, Ltd.

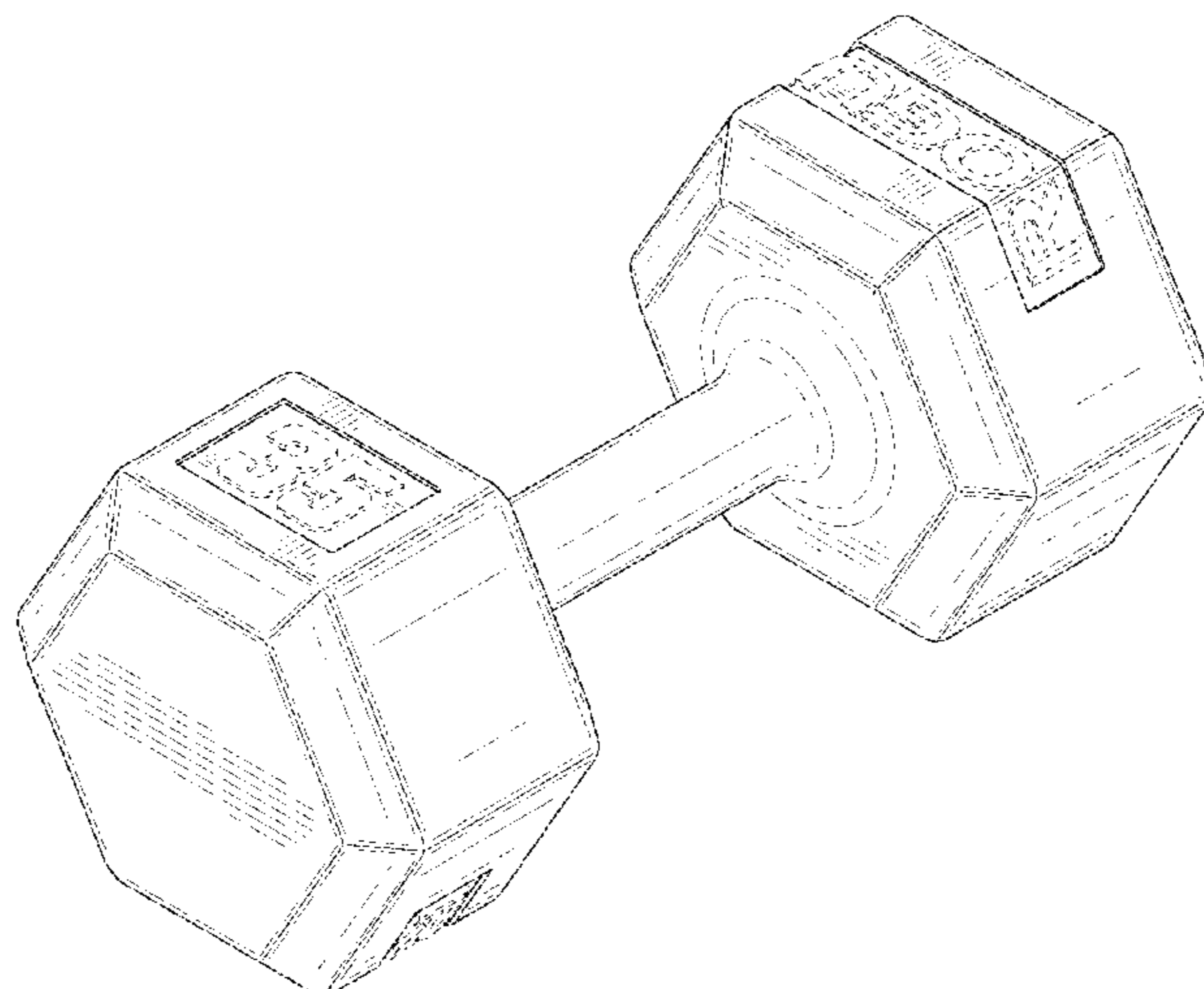
(57) **CLAIM**

The ornamental design for a dumbbell, as shown and described.

DESCRIPTION

FIG. 1 is a top, front, right perspective view of a dumbbell showing our new design;
 FIG. 2 is a top view thereof;
 FIG. 3 is a bottom view thereof;
 FIG. 4 is a front view thereof;
 FIG. 5 is rear view thereof;
 FIG. 6 is a right side view thereof;
 FIG. 7 is a left side view thereof;
 FIG. 8 is a top, front, right perspective view of the dumbbell of FIGS. 1-7, showing our new design with selected features disclaimed;
 FIG. 9 is a top view thereof;
 FIG. 10 is a bottom view thereof;
 FIG. 11 is a front view thereof;
 FIG. 12 is rear view thereof;
 FIG. 13 is a right side view thereof; and,
 FIG. 14 is a left side view thereof.
 The broken lines immediately adjacent to the shaded areas define the bounds of the claimed design and form no part thereof. The broken lines depicting the remainder of the article show features that form no part of the claimed design.

1 Claim, 8 Drawing Sheets



(56)

References Cited

U.S. PATENT DOCUMENTS

D751,941 S * 3/2016 Vaughan D11/81
D802,064 S * 11/2017 Hillson D21/681
2002/0190177 A1* 12/2002 Nielsen A63B 21/4009
2014/0005013 A1* 1/2014 Kassemi A63B 21/4035
2017/0127814 A1* 5/2017 Mundy B65G 7/12

* cited by examiner

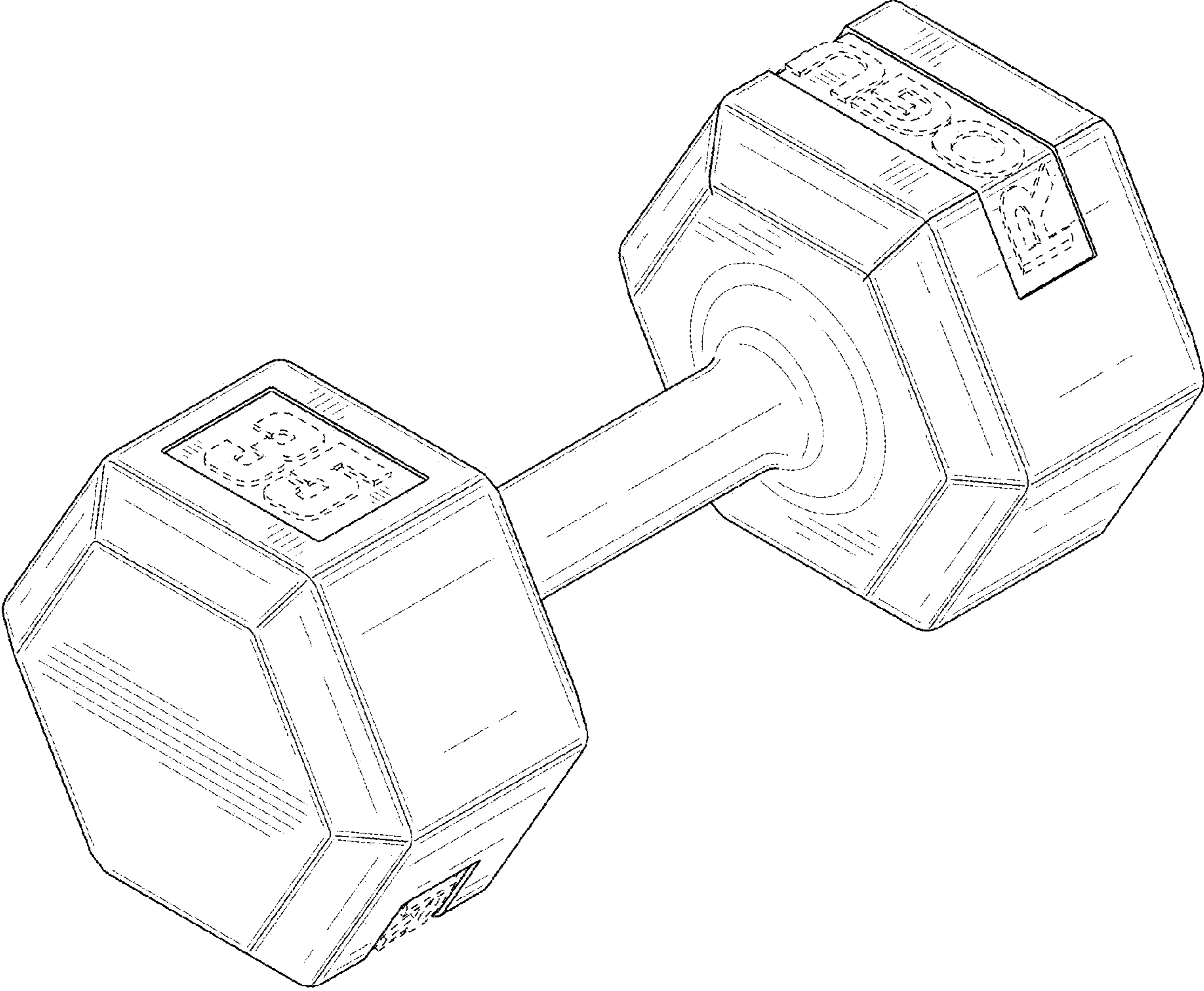


FIG. 1

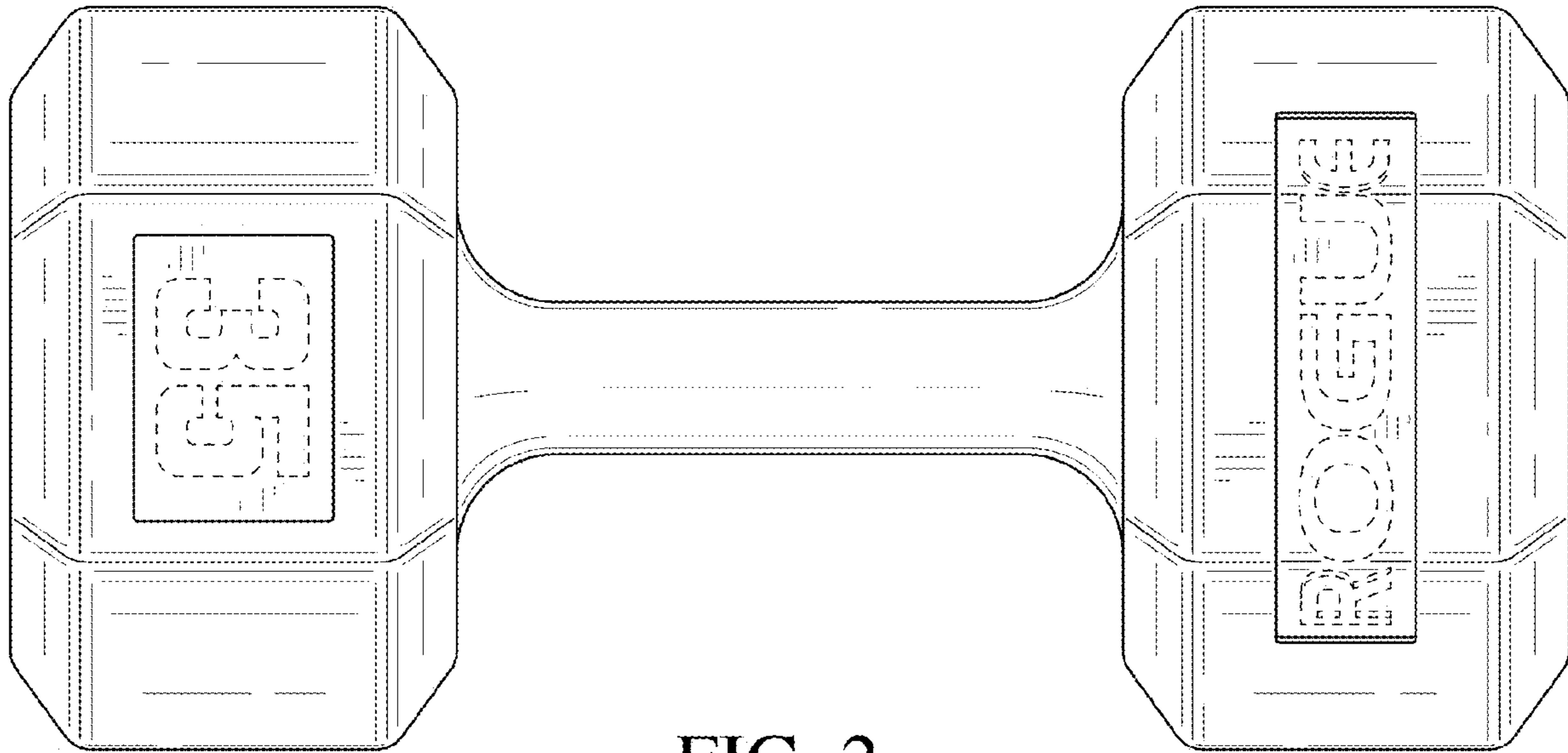


FIG. 2

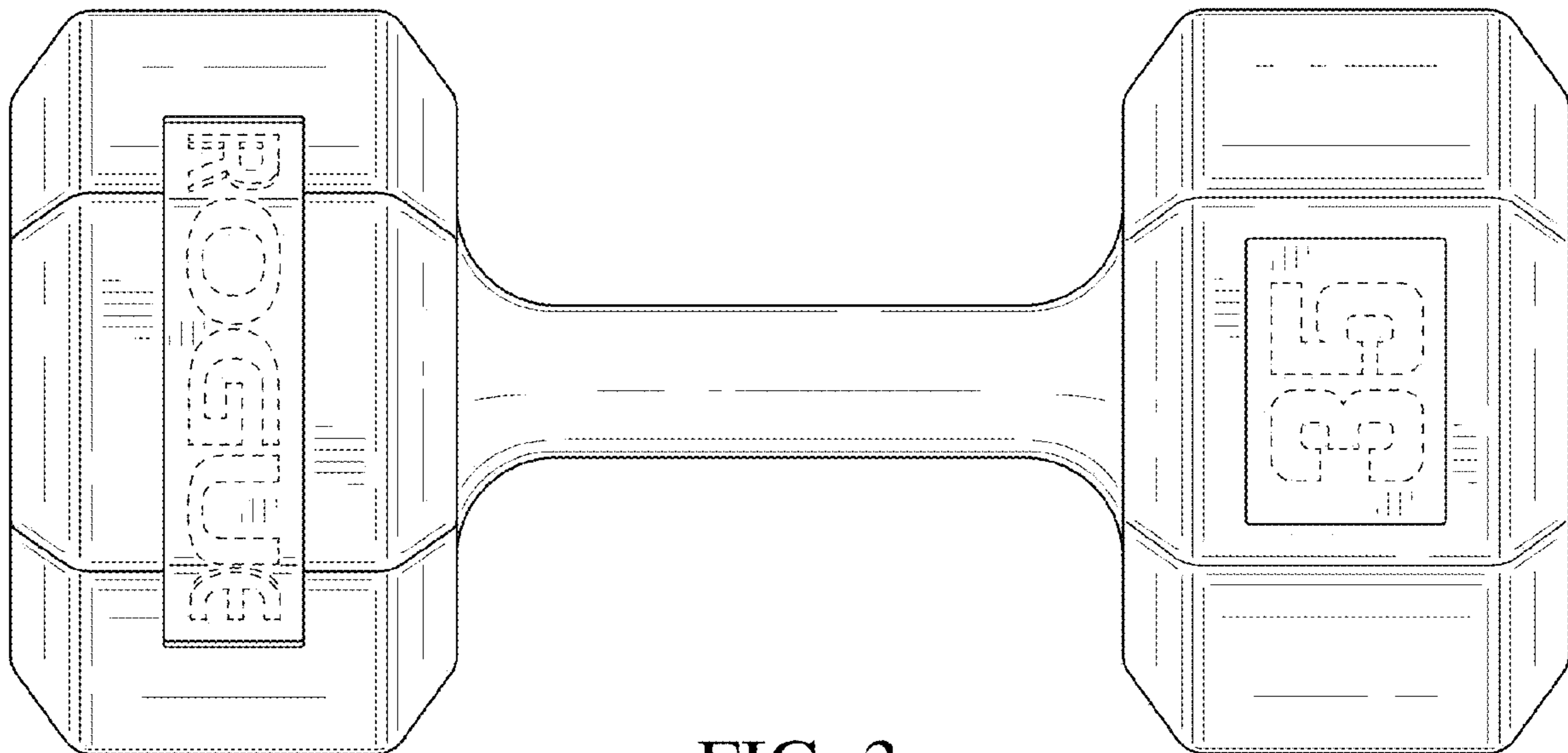


FIG. 3

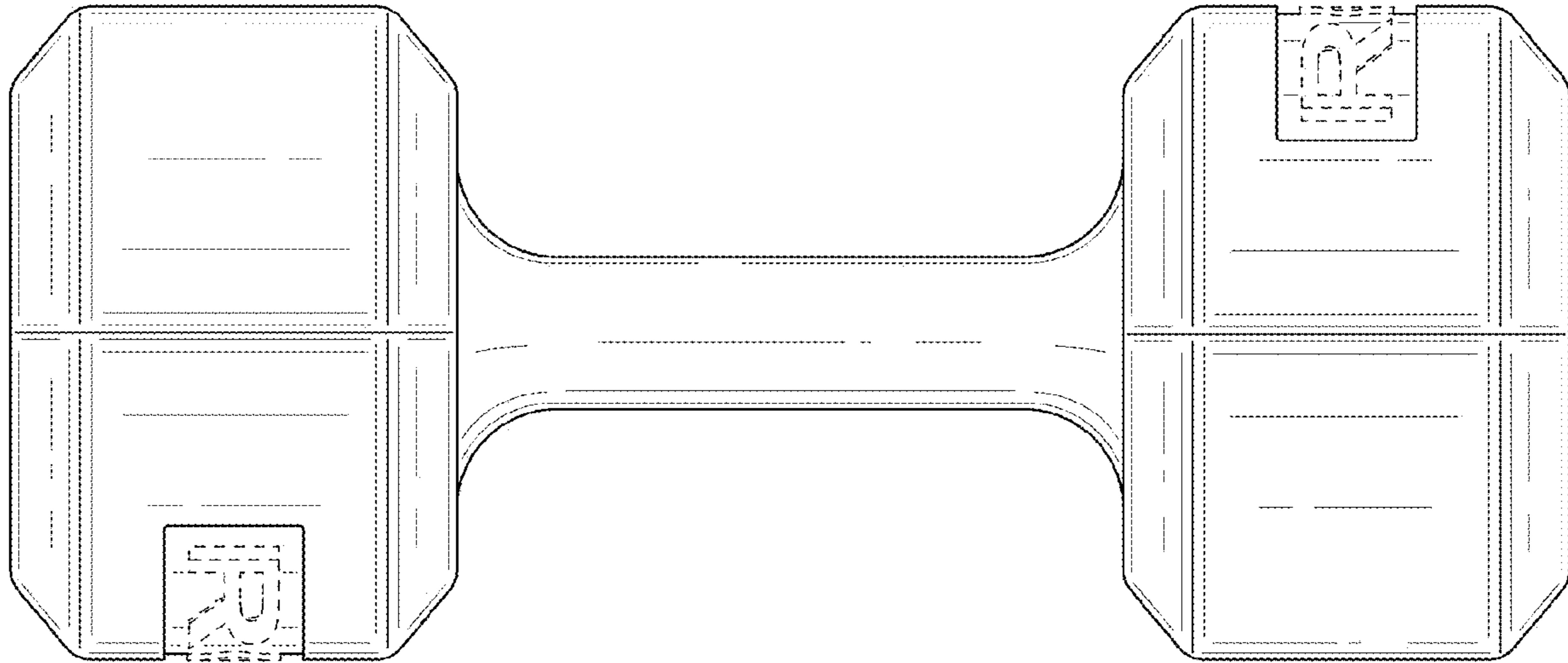


FIG. 4

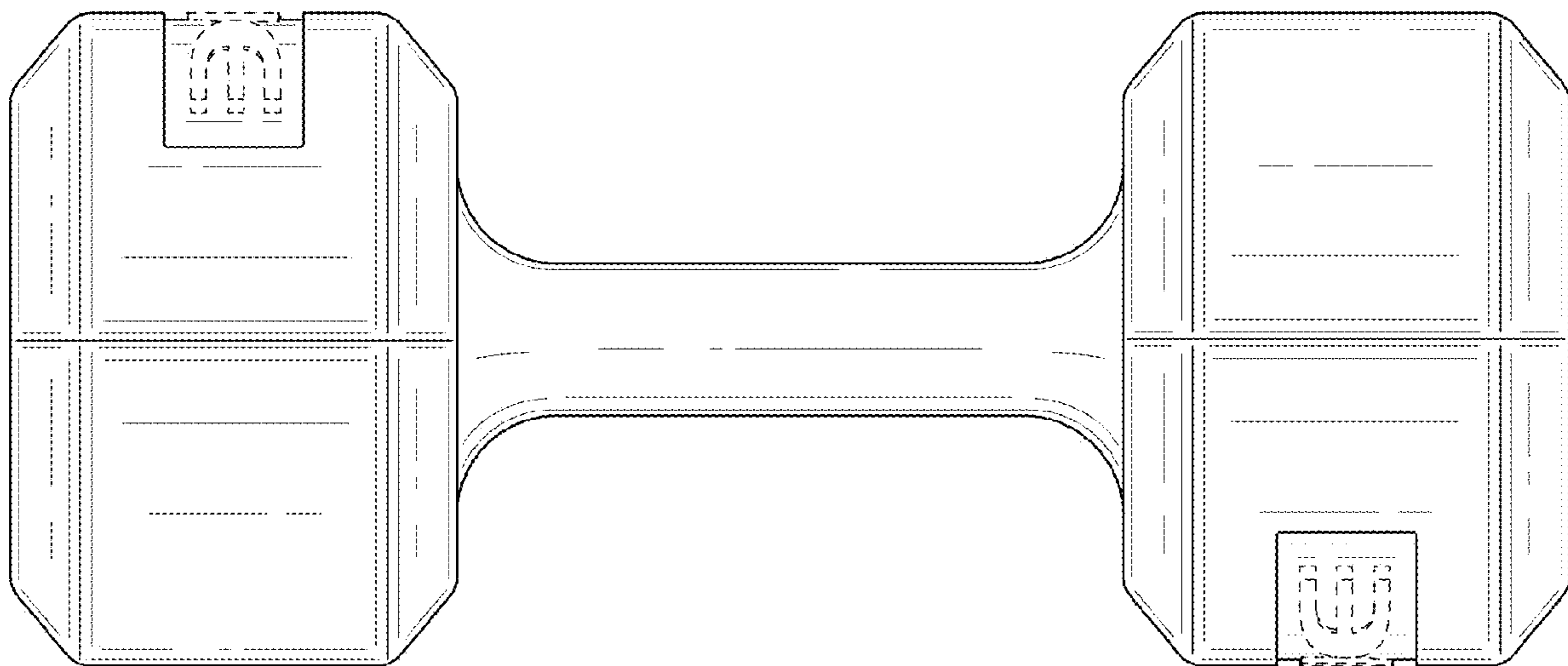


FIG. 5

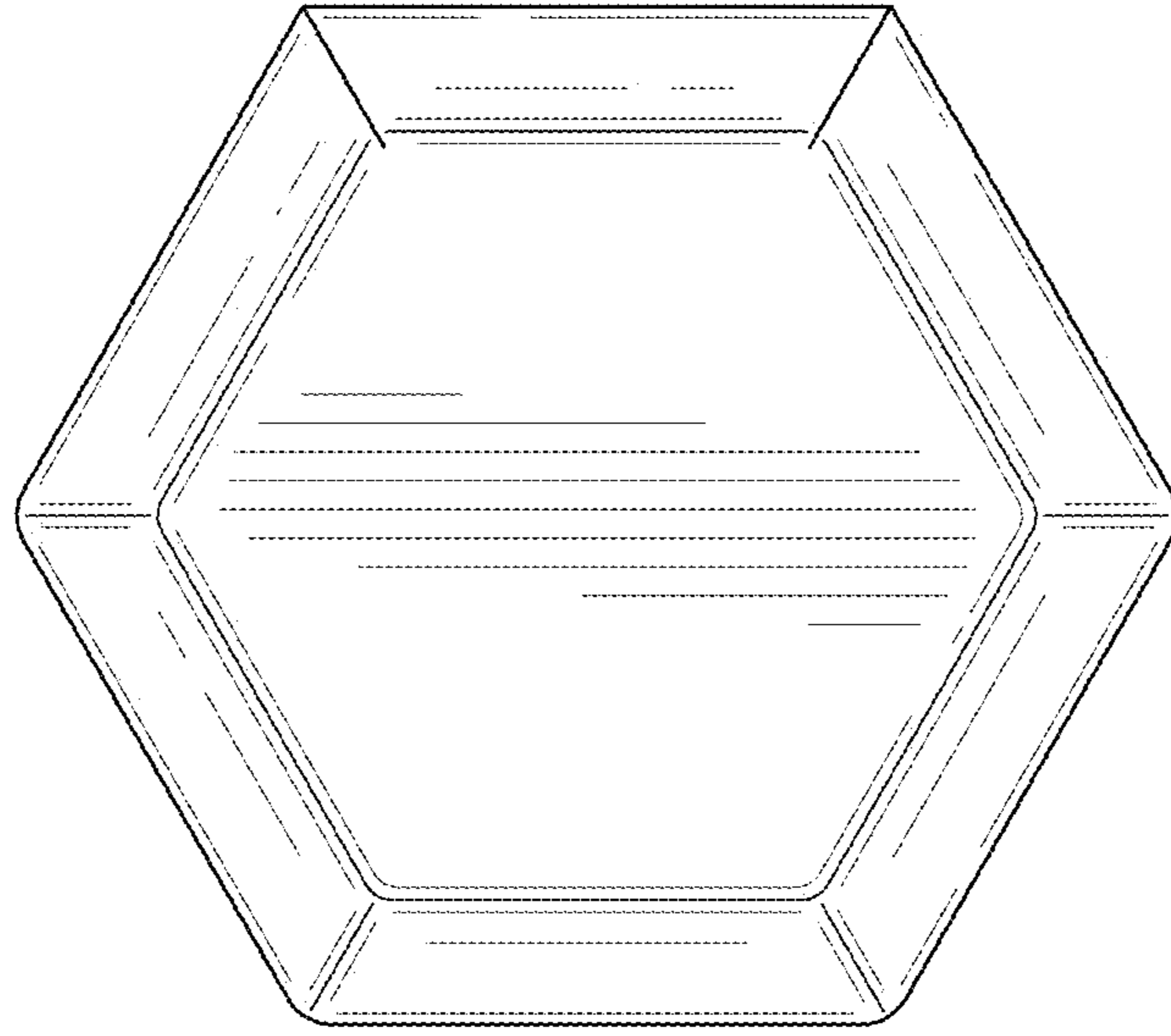


FIG. 6

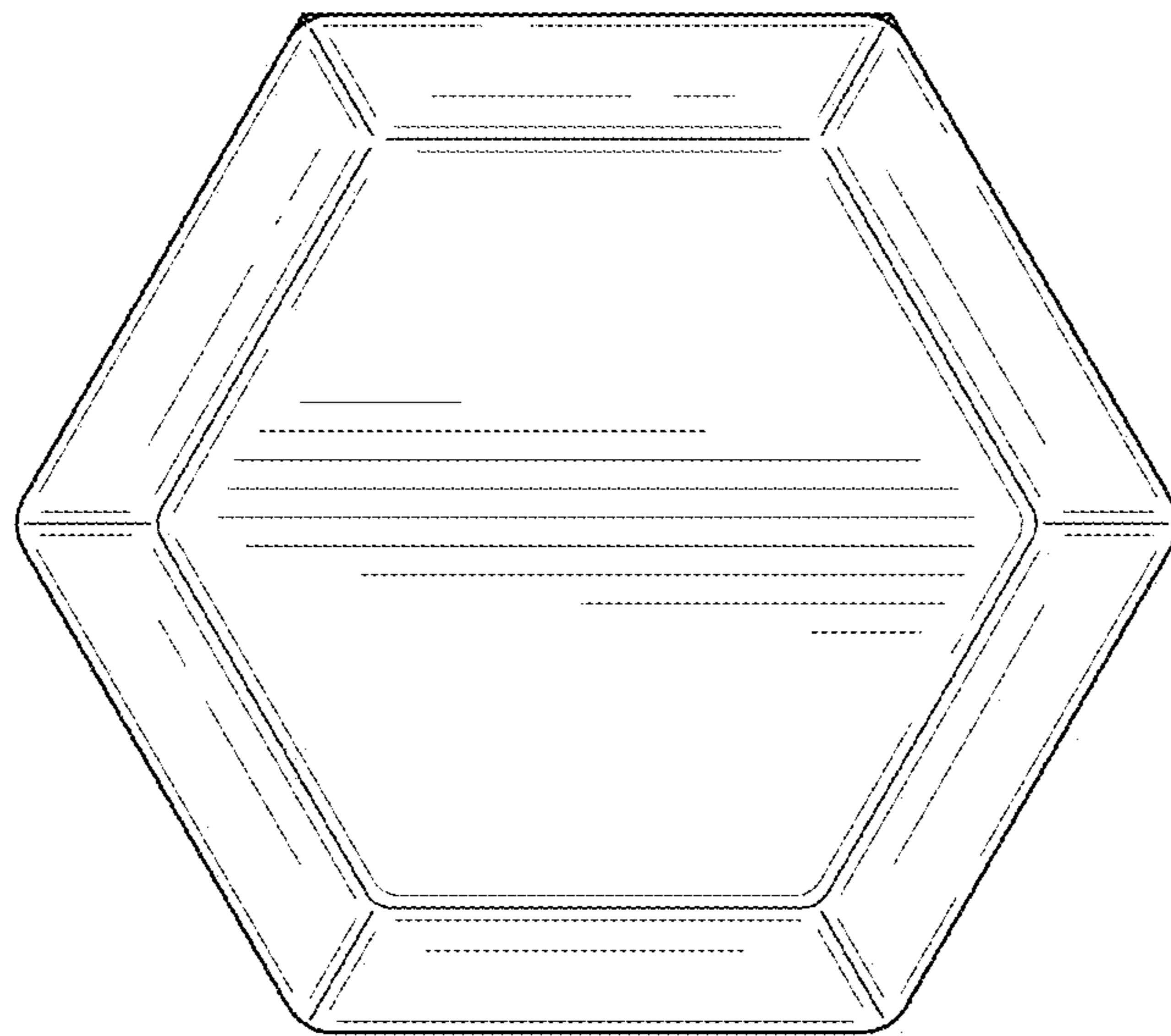


FIG. 7

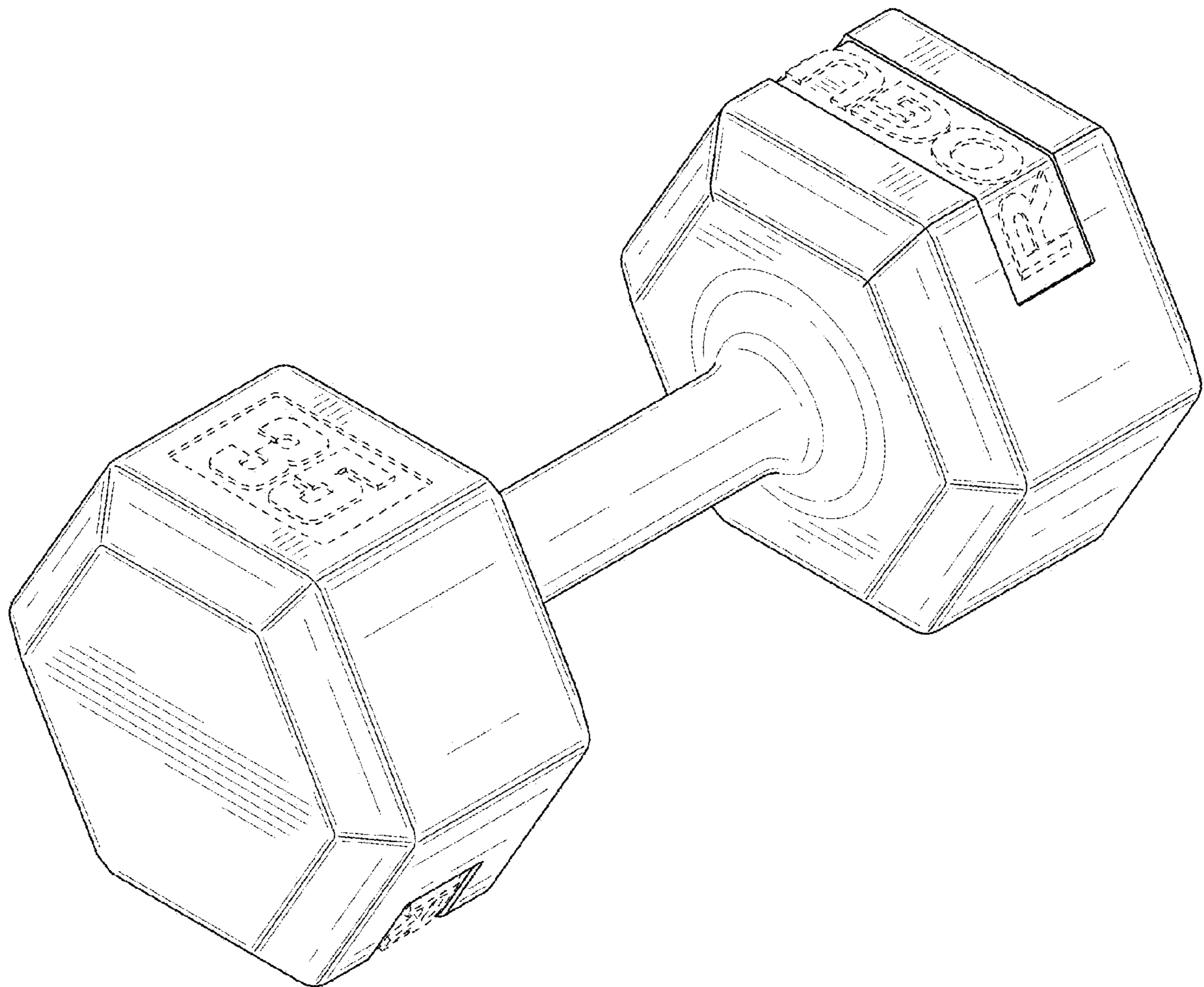


FIG. 8

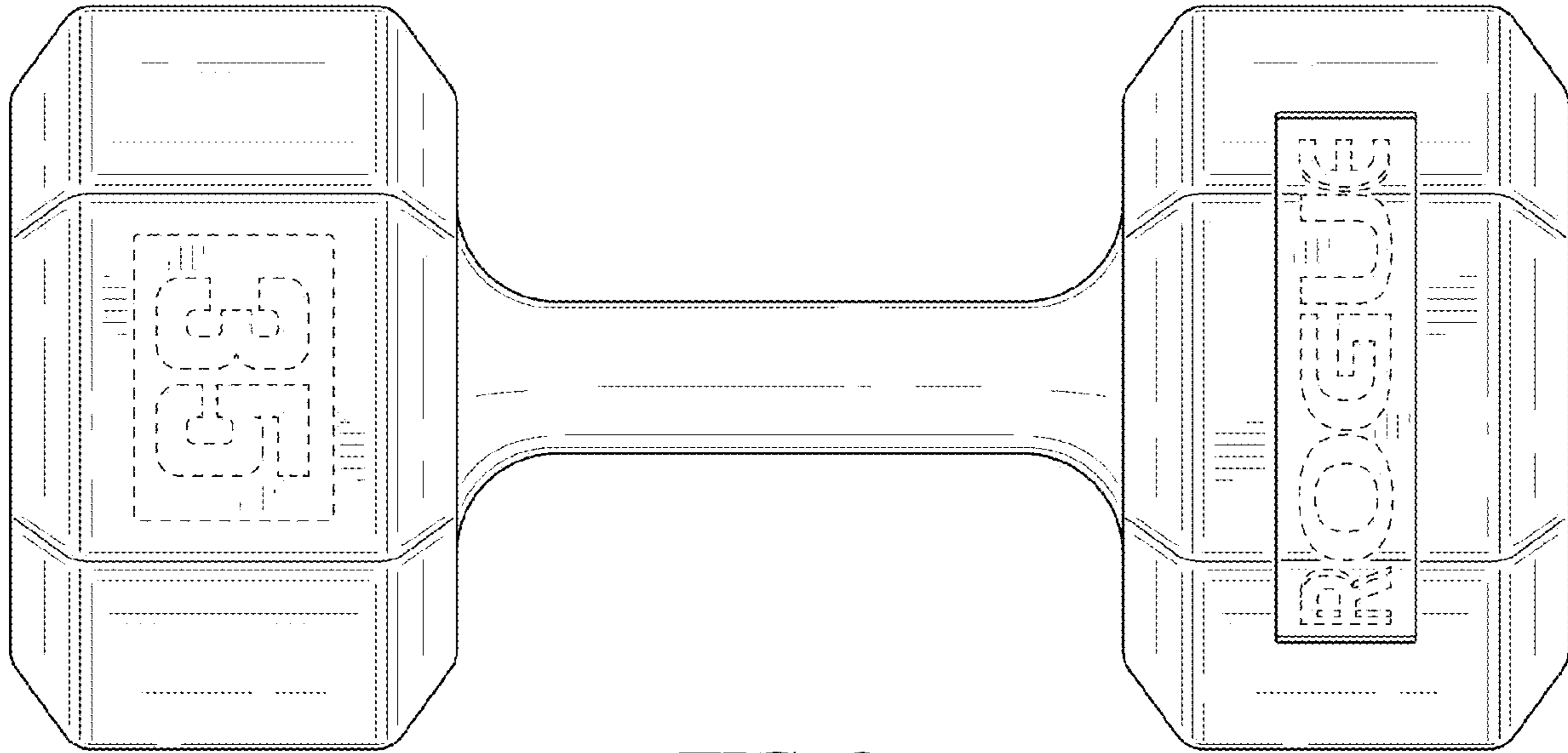


FIG. 9

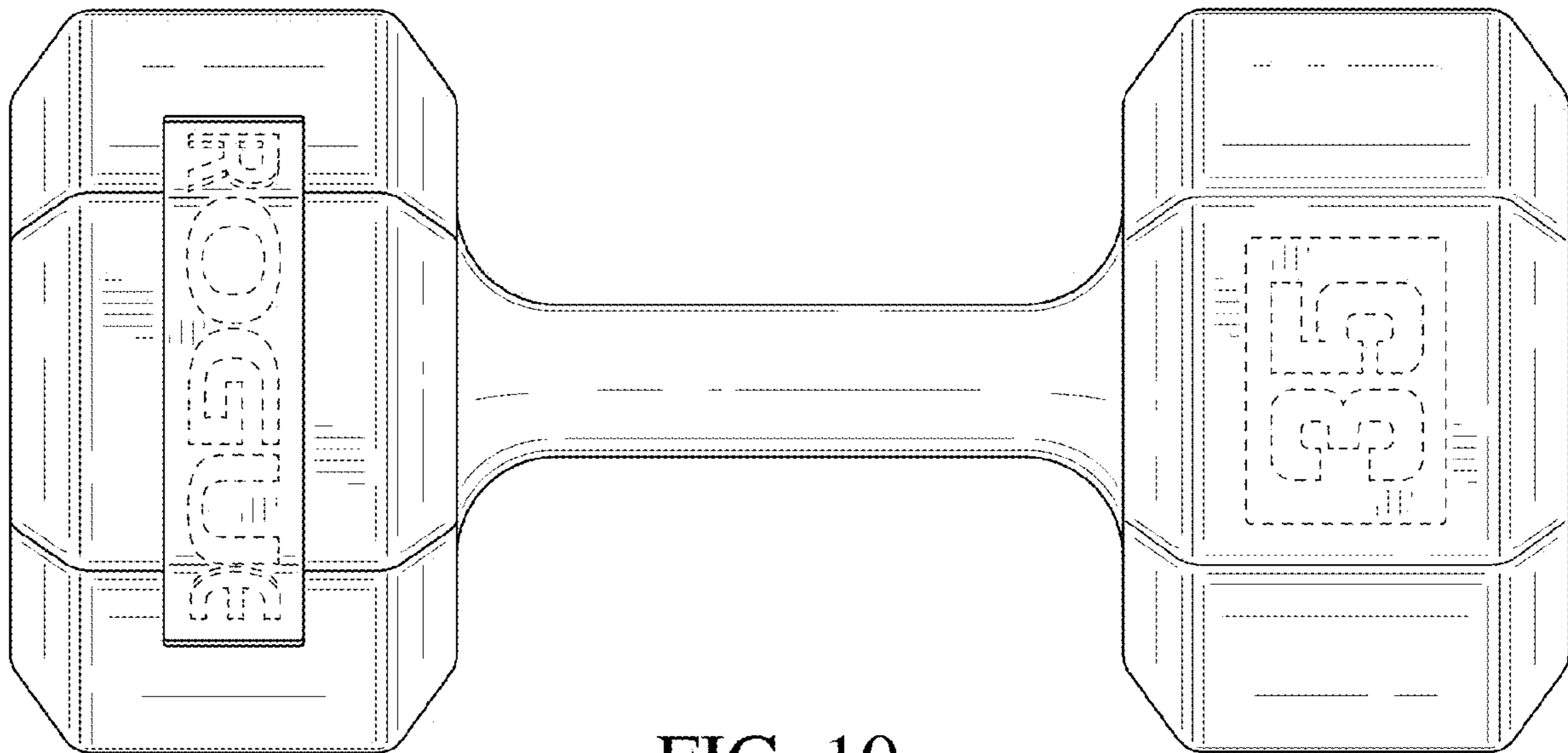


FIG. 10

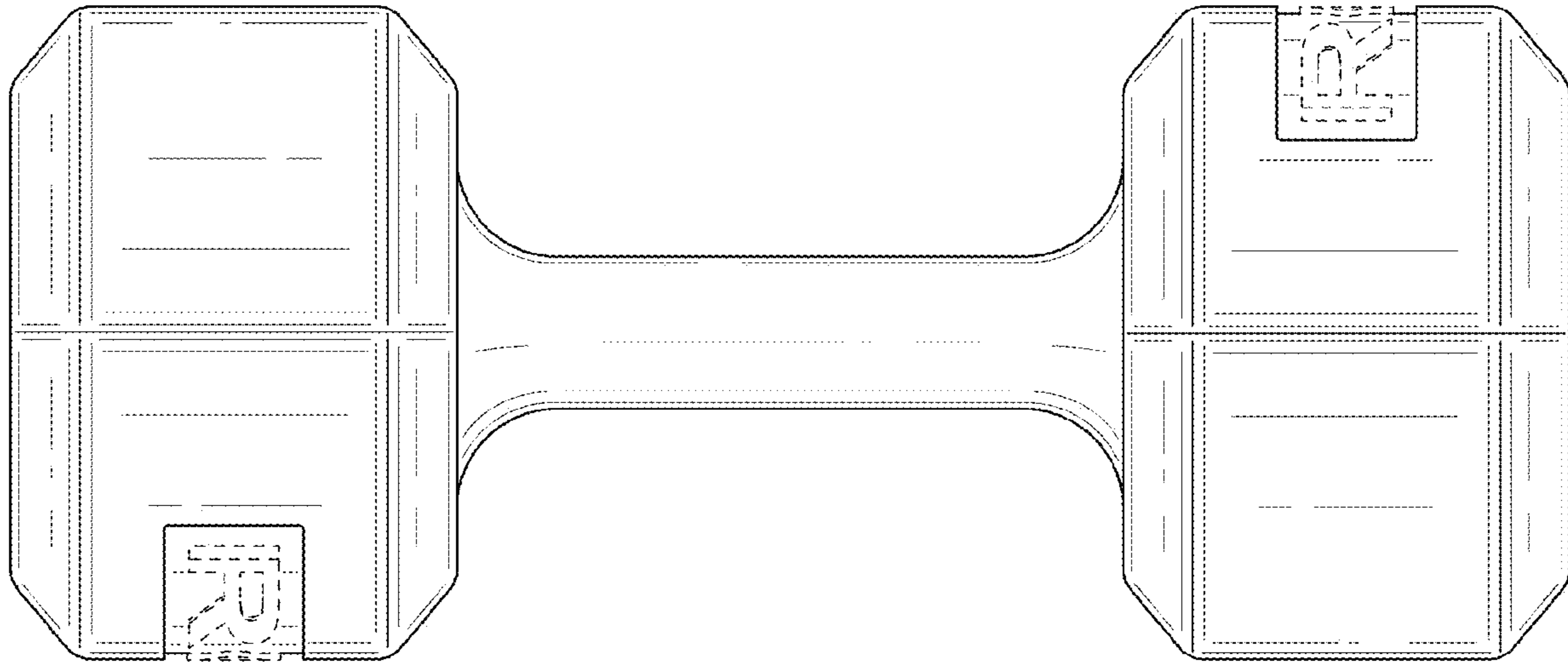


FIG. 11

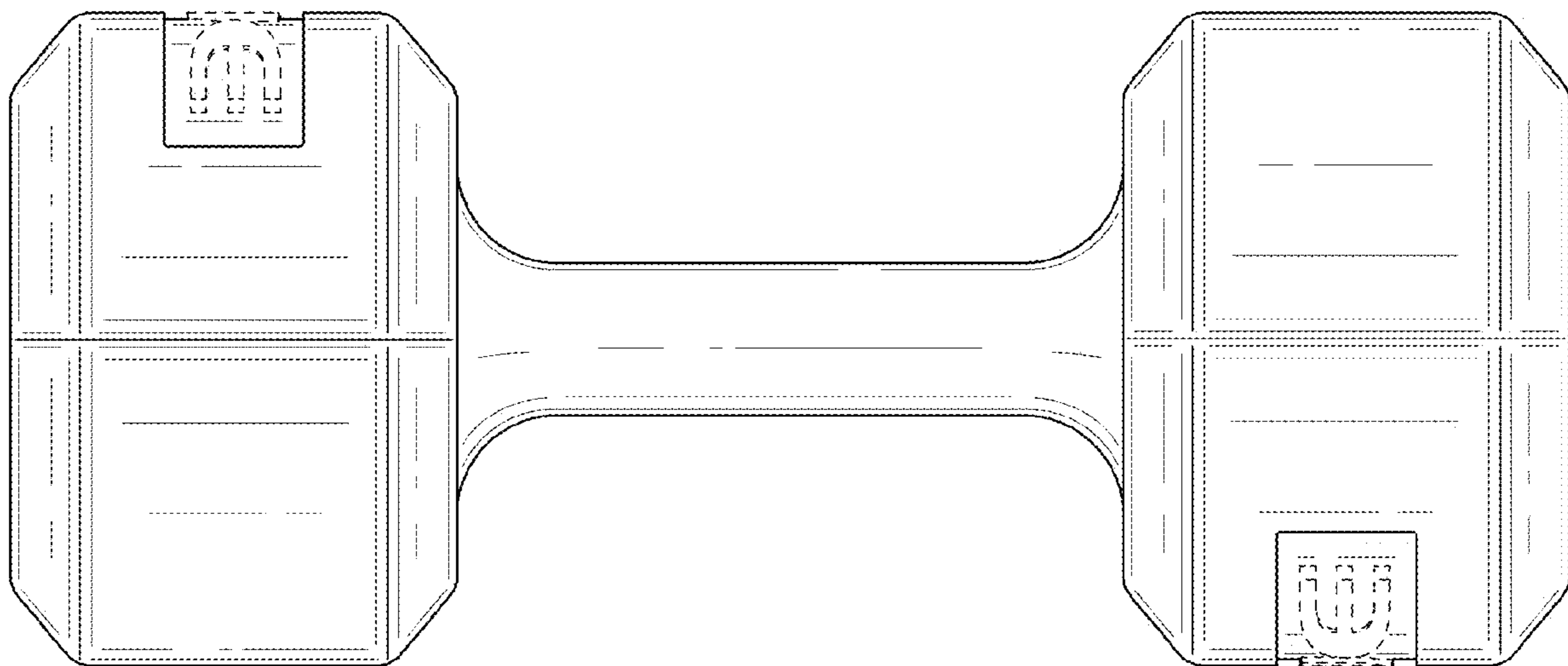


FIG. 12

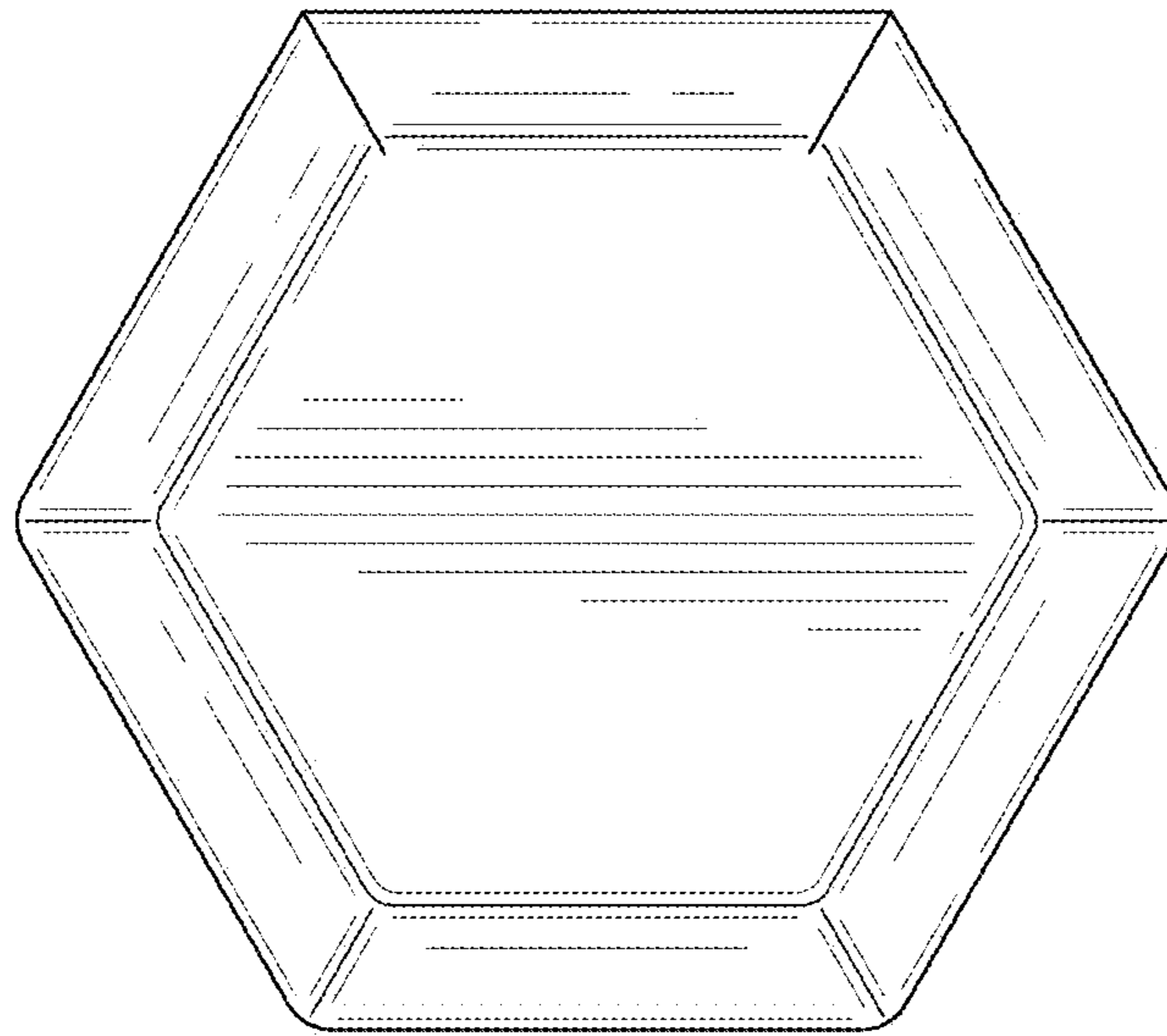


FIG. 13

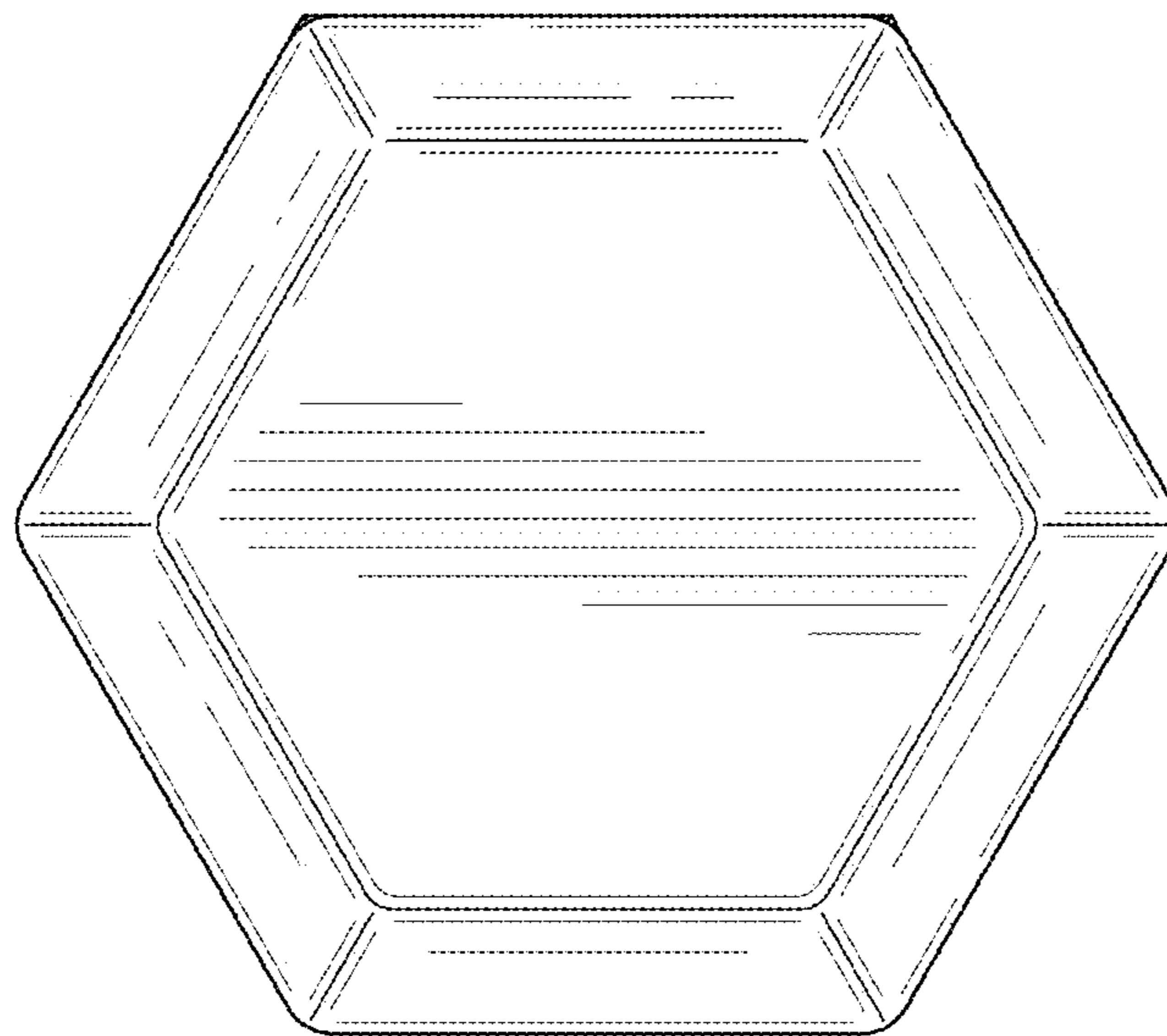


FIG. 14