



US00D963076S

(12) **United States Design Patent** (10) **Patent No.:** **US D963,076 S**  
**Castle** (45) **Date of Patent:** **\*\* Sep. 6, 2022**

(54) **MULTIMODAL FITNESS BAR**

- (71) Applicant: **Castle Fit Corporation**, Atlanta, GA (US)
- (72) Inventor: **Daniel Castle**, Atlanta, GA (US)
- (73) Assignee: **Castle Fit Corporation**, Atlanta, GA (US)
- (\*\*) Term: **15 Years**
- (21) Appl. No.: **29/759,594**
- (22) Filed: **Nov. 24, 2020**

**Related U.S. Application Data**

- (63) Continuation of application No. 17/082,451, filed on Oct. 28, 2020, now Pat. No. 11,020,625.
- (51) **LOC (13) Cl.** ..... **21-02**
- (52) **U.S. Cl.**  
USPC ..... **D21/679**
- (58) **Field of Classification Search**  
USPC ..... D21/686, 662, 679, 694, 797, 673, 670,  
D21/665, 687, 682  
See application file for complete search history.

(56) **References Cited**

**U.S. PATENT DOCUMENTS**

|                   |         |           |       |               |
|-------------------|---------|-----------|-------|---------------|
| D865,084 S *      | 10/2019 | Croxton   | ..... | D21/679       |
| D874,352 S *      | 2/2020  | MacKenzie | ..... | D12/133       |
| D902,329 S *      | 11/2020 | Jaquish   | ..... | D21/673       |
| D910,124 S *      | 2/2021  | Jaquish   | ..... | D21/673       |
| D914,113 S *      | 3/2021  | Jaquish   | ..... | D21/679       |
| 11,000,447 B2 *   | 5/2021  | Kokakis   | ..... | A63B 21/4043  |
| D925,670 S *      | 7/2021  | Lee       | ..... | D21/691       |
| D934,355 S *      | 10/2021 | Behar     | ..... | D21/679       |
| D934,356 S *      | 10/2021 | Behar     | ..... | D21/679       |
| D937,369 S *      | 11/2021 | Jaquish   | ..... | D21/679       |
| D954,858 S *      | 6/2022  | Karvandi  | ..... | D21/673       |
| 2022/0126155 A1 * | 4/2022  | Castle    | ..... | A63B 21/00185 |

**OTHER PUBLICATIONS**

Innstar, announced 2019[online], available on internet, URL:https://www.amazon.com/INNSTAR-Resistance-Training-Exercise-Black-38/dp/B07WHWD12D/ref (Year: 2019).\*

Wnoey, announced 2020[online], [site visited Apr. 19, 2022]. Available on internet, URL:https://www.amazon.com/WNOEY-Portable-Resistance-Exercise-Attachment/dp/B089Q7H8HL/ref (Year: 2020).\*

Rehab, announced 2012[online], [available on internet, URL:https://www.amazon.com/Rehab-Rehabilitation-Exercise-Equipment-Recovery/dp/B06XTKP5ZF/ref (Year: 2012).\*

\* cited by examiner

*Primary Examiner* — Khawaja Anwar  
*Assistant Examiner* — Julice Seung Eun Oum  
 (74) *Attorney, Agent, or Firm* — Lynch LLP; Sean Lynch

(57) **CLAIM**

The ornamental design for a multi modal fitness bar, as shown and described.

**DESCRIPTION**

FIG. 1 is a top, front, right side perspective of a multimodal fitness bar.

FIG. 2 is a front elevation view of a multimodal fitness bar.

FIG. 3 is a rear elevation view of a multimodal fitness bar.

FIG. 4 is a left side elevation view of a multimodal fitness bar.

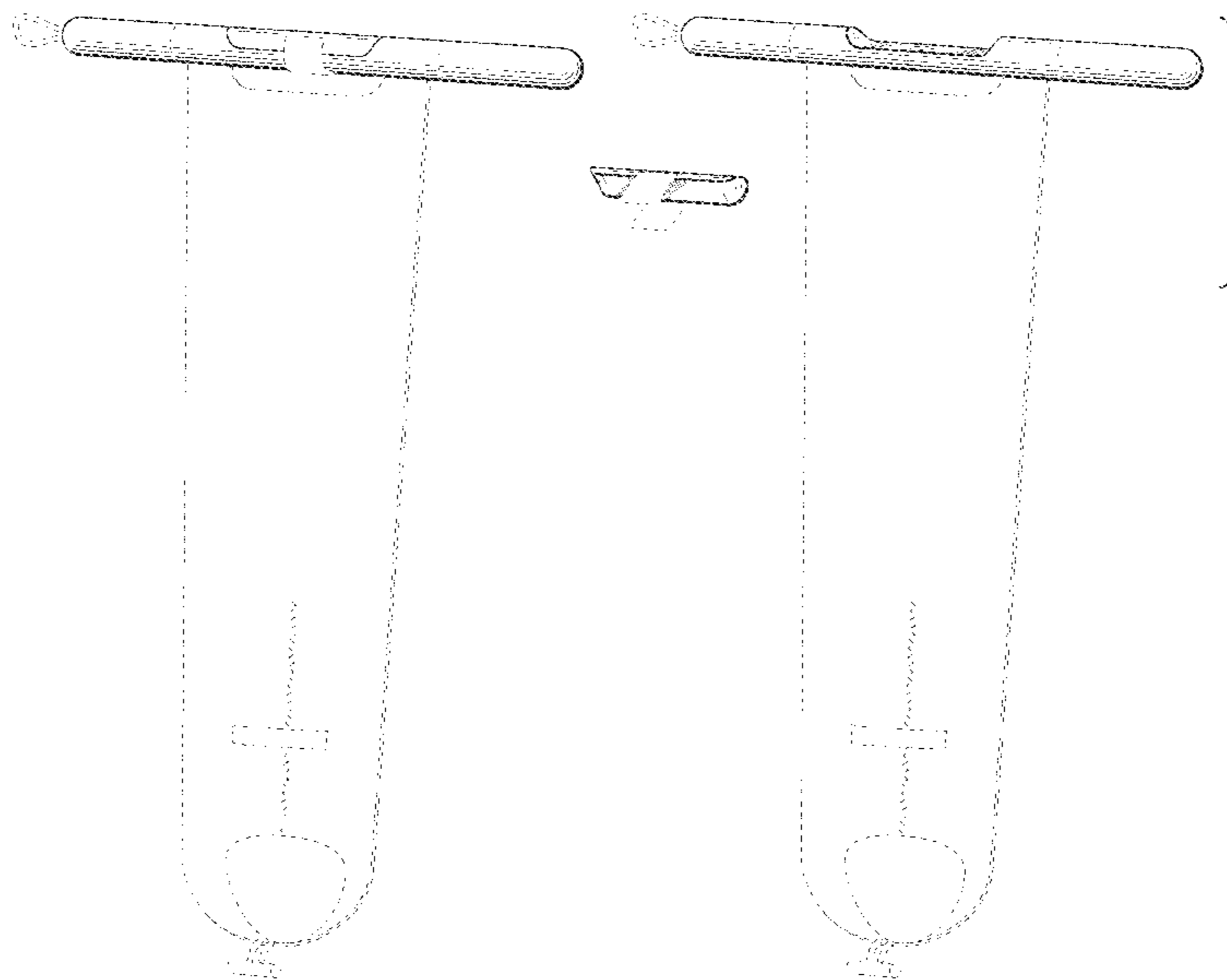
FIG. 5 is a right side elevation view of a multimodal fitness bar.

FIG. 6 is a top plan view of a multimodal fitness bar.

FIG. 7 is a bottom plan view of a multimodal fitness bar; and,

FIG. 8 is an exploded perspective view of a multimodal fitness bar.

**1 Claim, 5 Drawing Sheets**



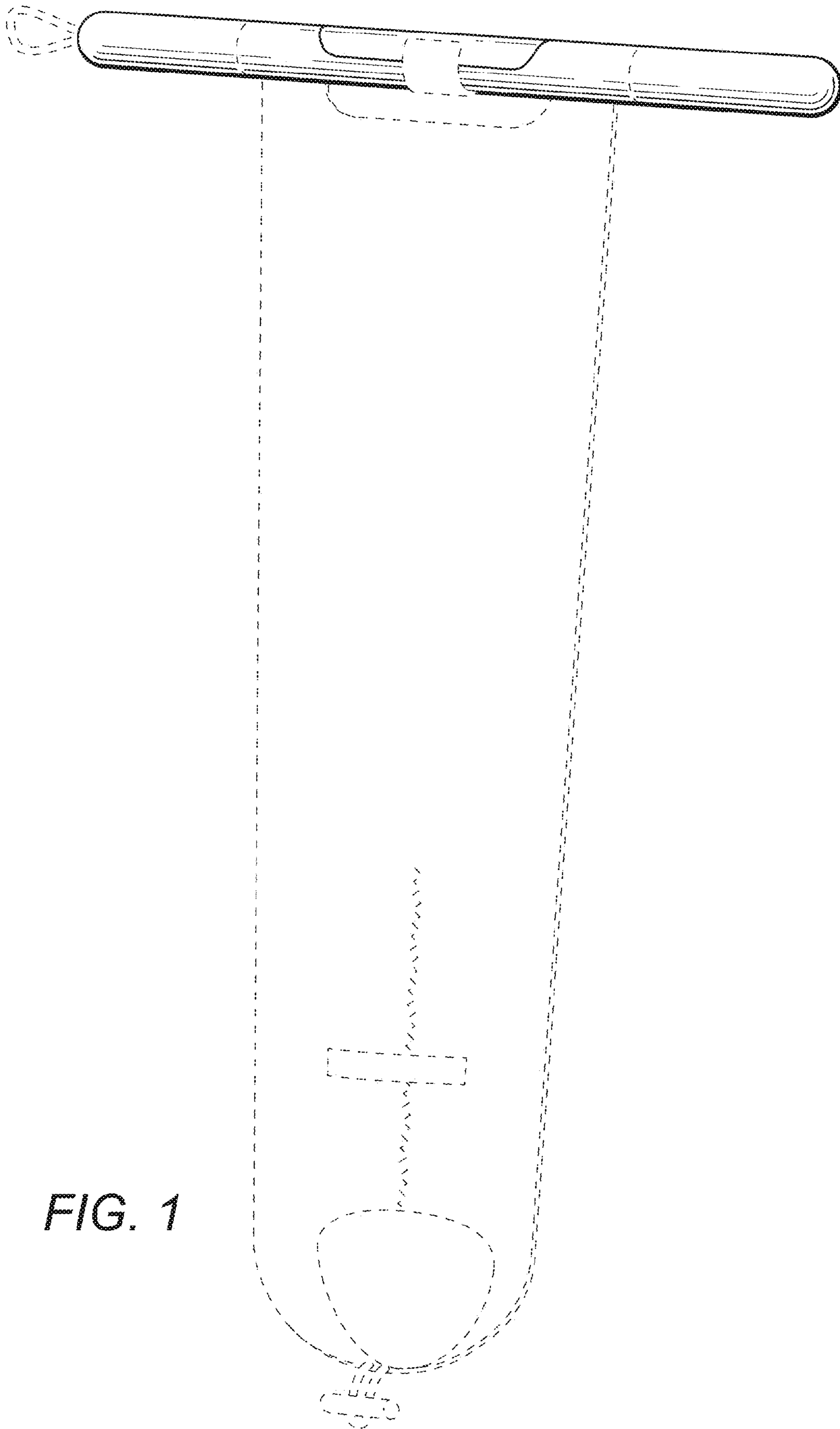


FIG. 1

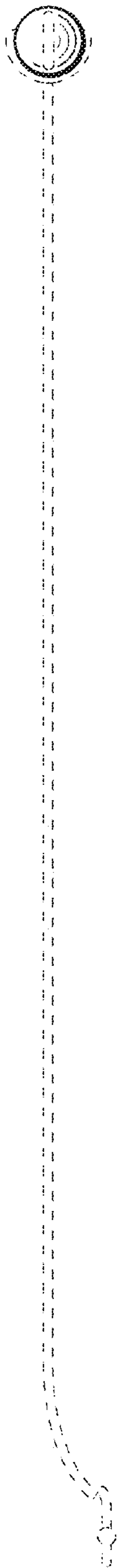


FIG. 4

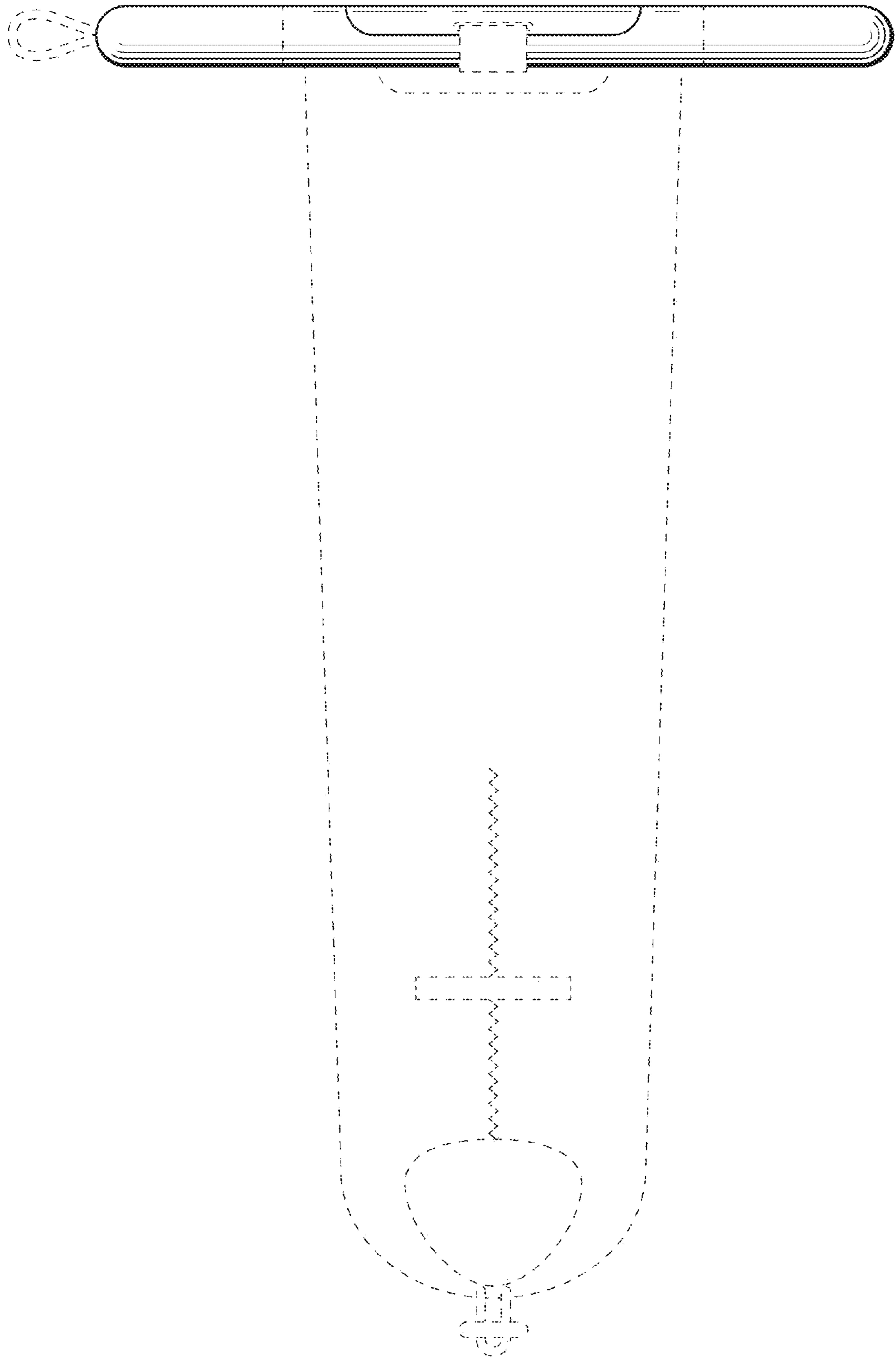


FIG. 2

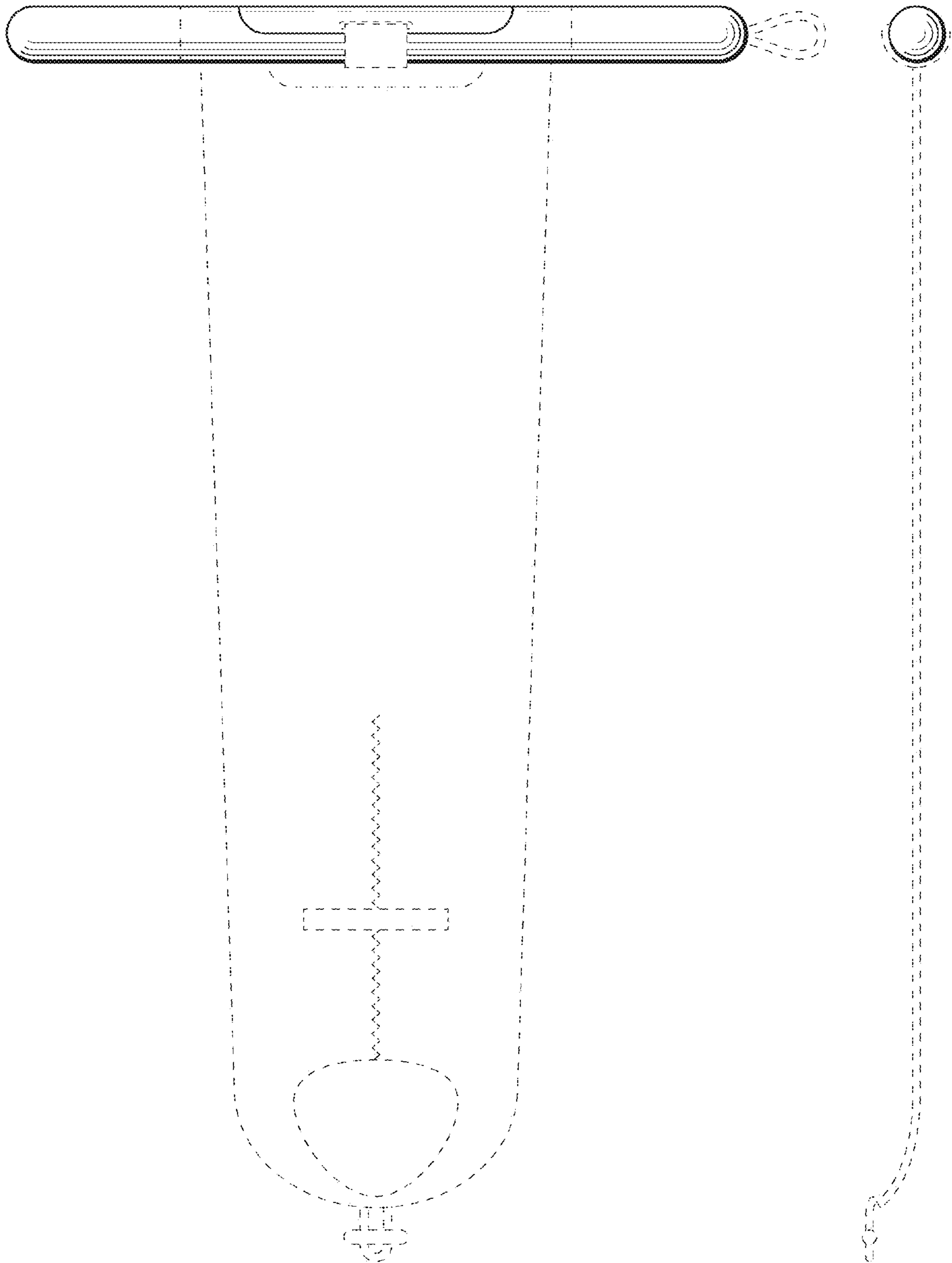


FIG. 3

FIG. 5



*FIG. 6*



*FIG. 7*

