



US00D963075S

(12) **United States Design Patent**
Matsushita

(10) **Patent No.:** **US D963,075 S**

(45) **Date of Patent:** **** Sep. 6, 2022**

(54) **EXERCISING APPARATUS**

(71) Applicant: **MTG CO., LTD.**, Nagoya (JP)

(72) Inventor: **Tsuyoshi Matsushita**, Nagoya (JP)

(73) Assignee: **MTG Co., Ltd.**, Nagoya (JP)

(**) Term: **15 Years**

(21) Appl. No.: **29/736,926**

(22) Filed: **Jun. 4, 2020**

(30) **Foreign Application Priority Data**

Dec. 6, 2019 (JP) 2019-027089

(51) **LOC (13) Cl.** **21-02**

(52) **U.S. Cl.**
USPC **D21/663**

(58) **Field of Classification Search**
USPC D21/432, 682, 694, 696, 697, 663, 664,
D21/666, 667, 419, 662, 685
See application file for complete search history.

(56) **References Cited**

U.S. PATENT DOCUMENTS

D344,313 S *	2/1994	Wu	D21/663
D357,953 S *	5/1995	Warehime	D21/667
D360,002 S *	7/1995	Wu	D21/667
D366,298 S *	1/1996	Wu	D21/663
D433,082 S *	10/2000	Tsushi	D21/663

D438,580 S *	3/2001	Shaw	D21/663
D446,266 S *	8/2001	Lin	D21/663
6,565,487 B1 *	5/2003	Kuo	A63B 22/0605 267/132
D519,171 S *	4/2006	Kuo	D21/663
D797,214 S *	9/2017	Suzuki	D21/663
D948,639 S *	4/2022	Ach	D21/663
2018/0085617 A1 *	3/2018	Adorn	A63B 23/0476
2020/0222753 A1 *	7/2020	Schranz	A63B 21/4035

* cited by examiner

Primary Examiner — Khawaja Anwar

Assistant Examiner — Julice Seung Eun Oum

(74) *Attorney, Agent, or Firm* — Sughrue Mion, PLLC

(57) **CLAIM**

The ornamental design for an exercising apparatus, as shown and described.

DESCRIPTION

FIG. 1 is a perspective view from the front, top, and right side view of an exercising apparatus showing my new design;

FIG. 2 is a perspective view from the rear, bottom, and left side view thereof;

FIG. 3 is a front view thereof;

FIG. 4 is a rear view thereof;

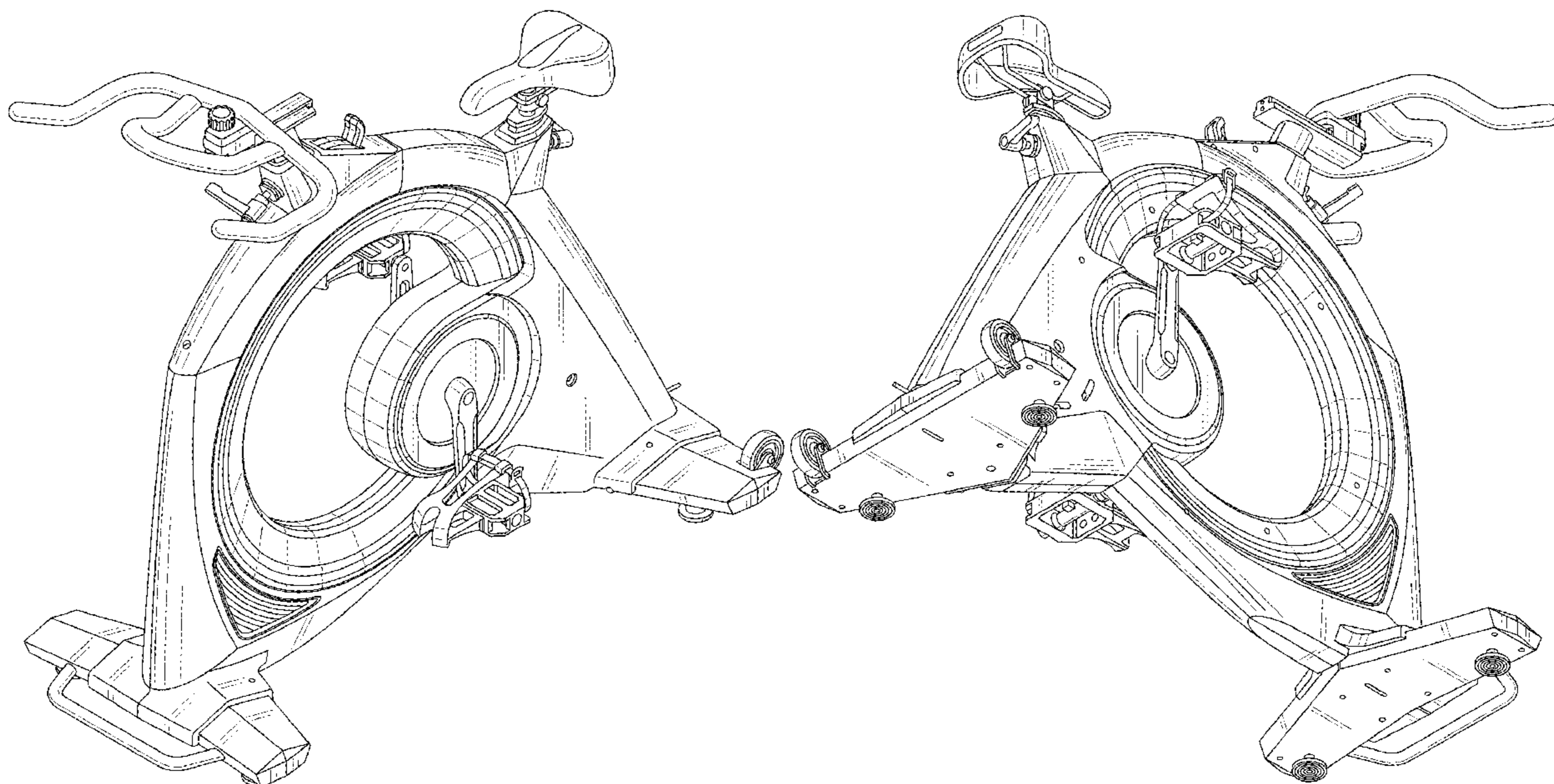
FIG. 5 is a left side view thereof;

FIG. 6 is a right side view thereof;

FIG. 7 is a top view thereof; and,

FIG. 8 is a bottom view thereof.

1 Claim, 8 Drawing Sheets



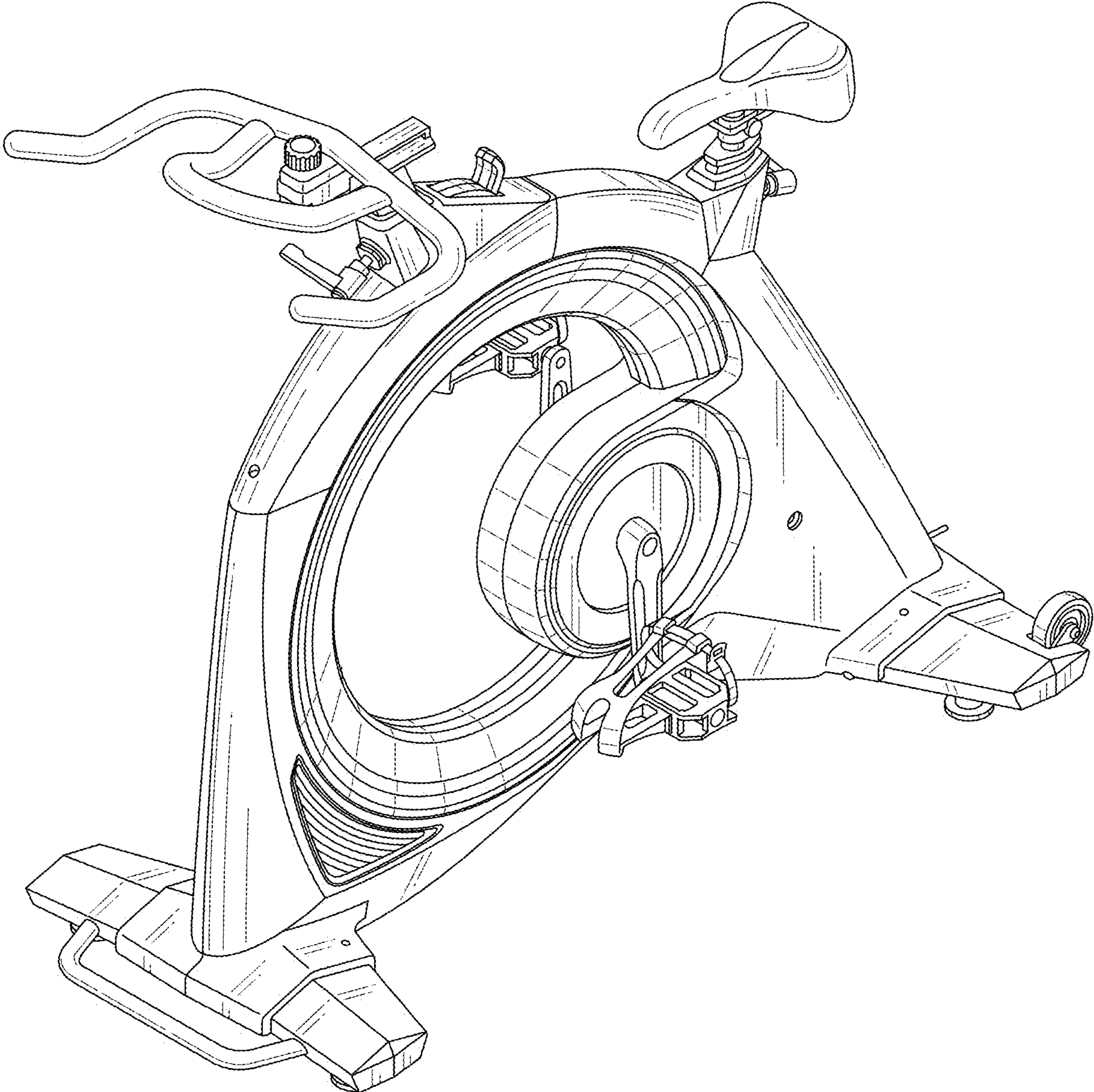


FIG. 1

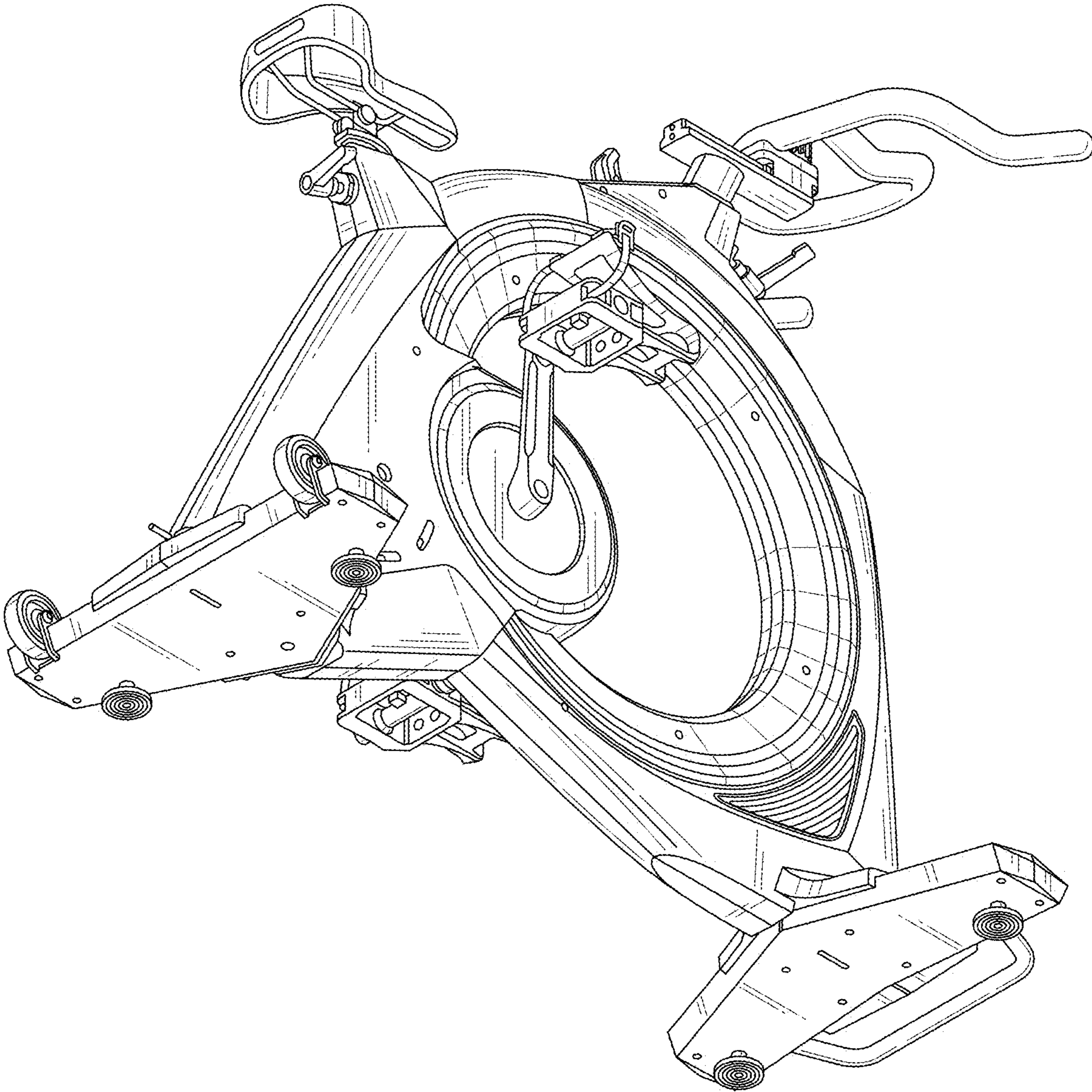


FIG. 2

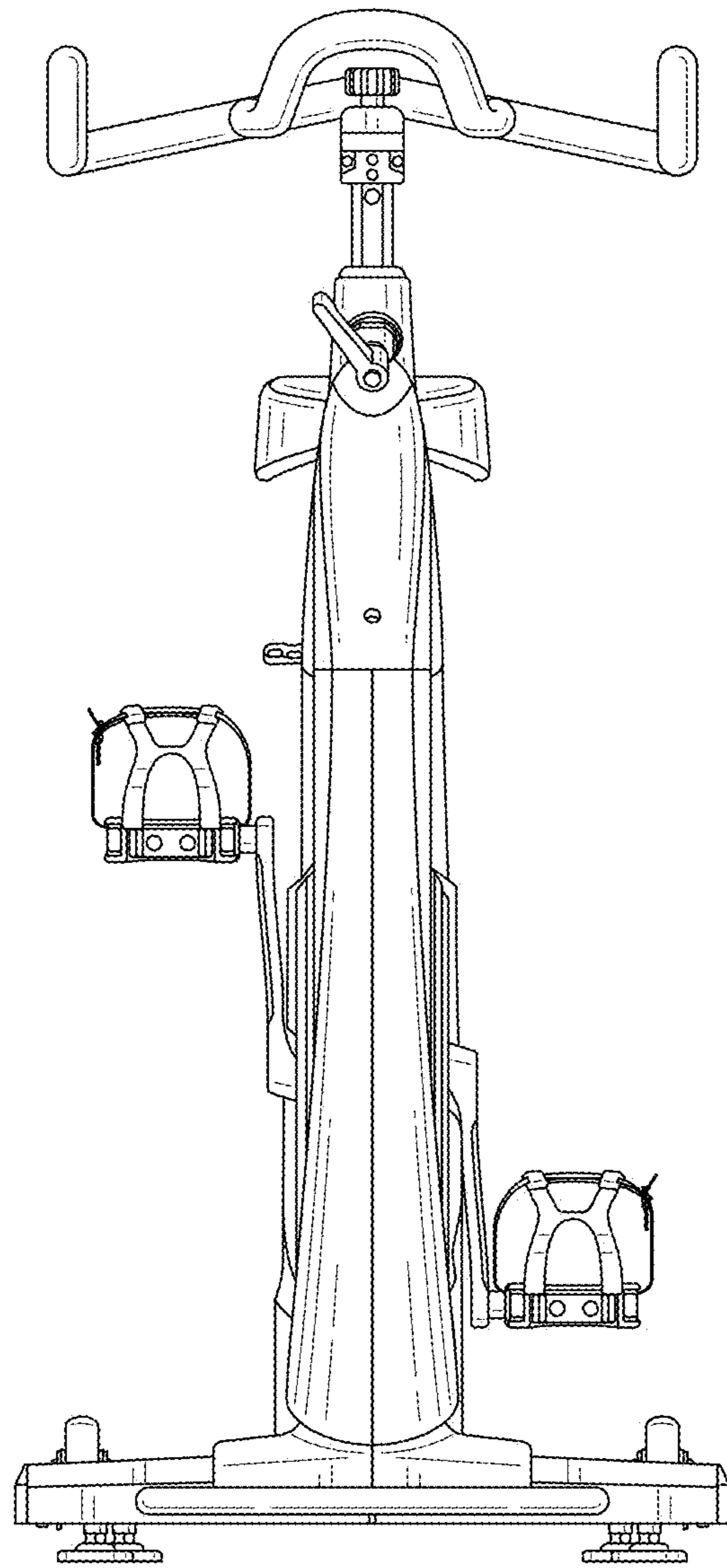


FIG. 3

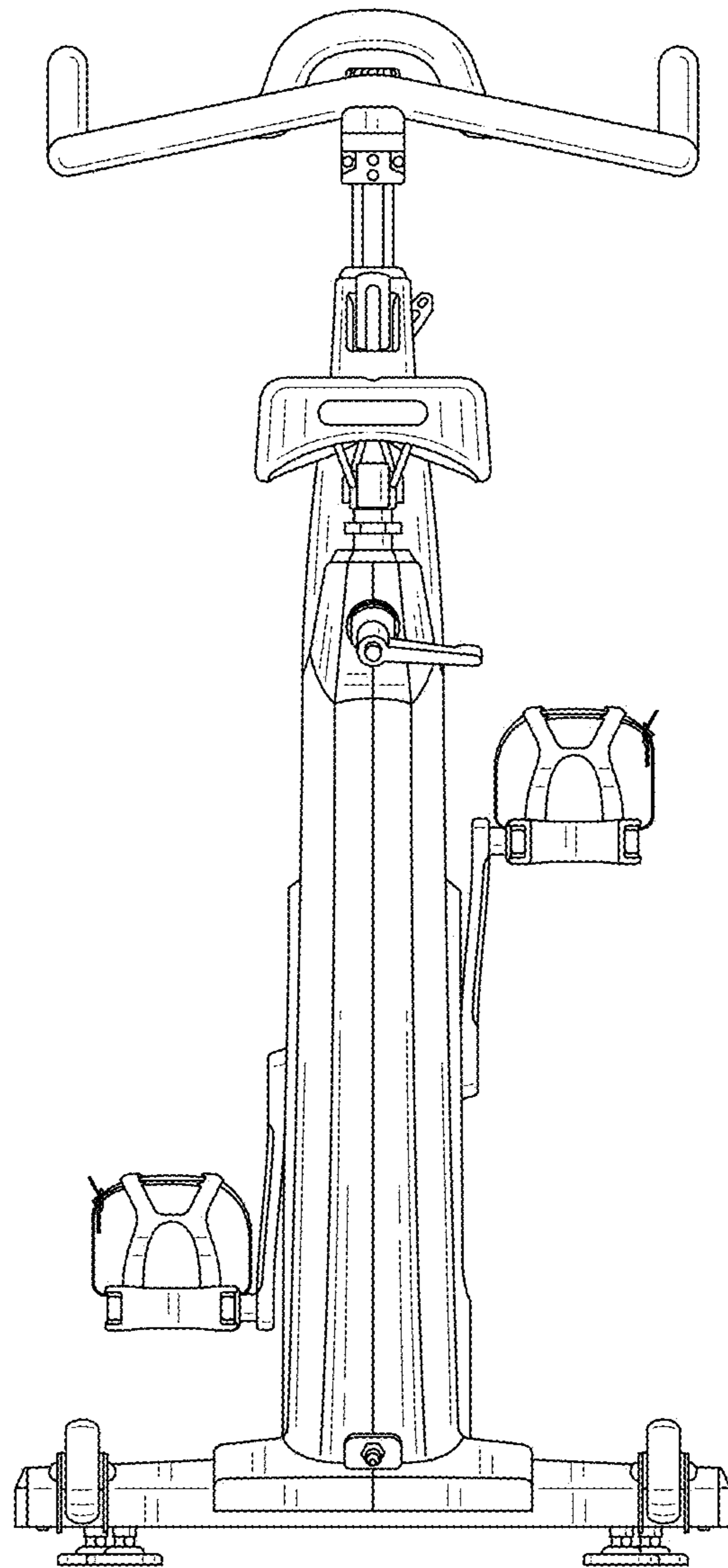


FIG. 4

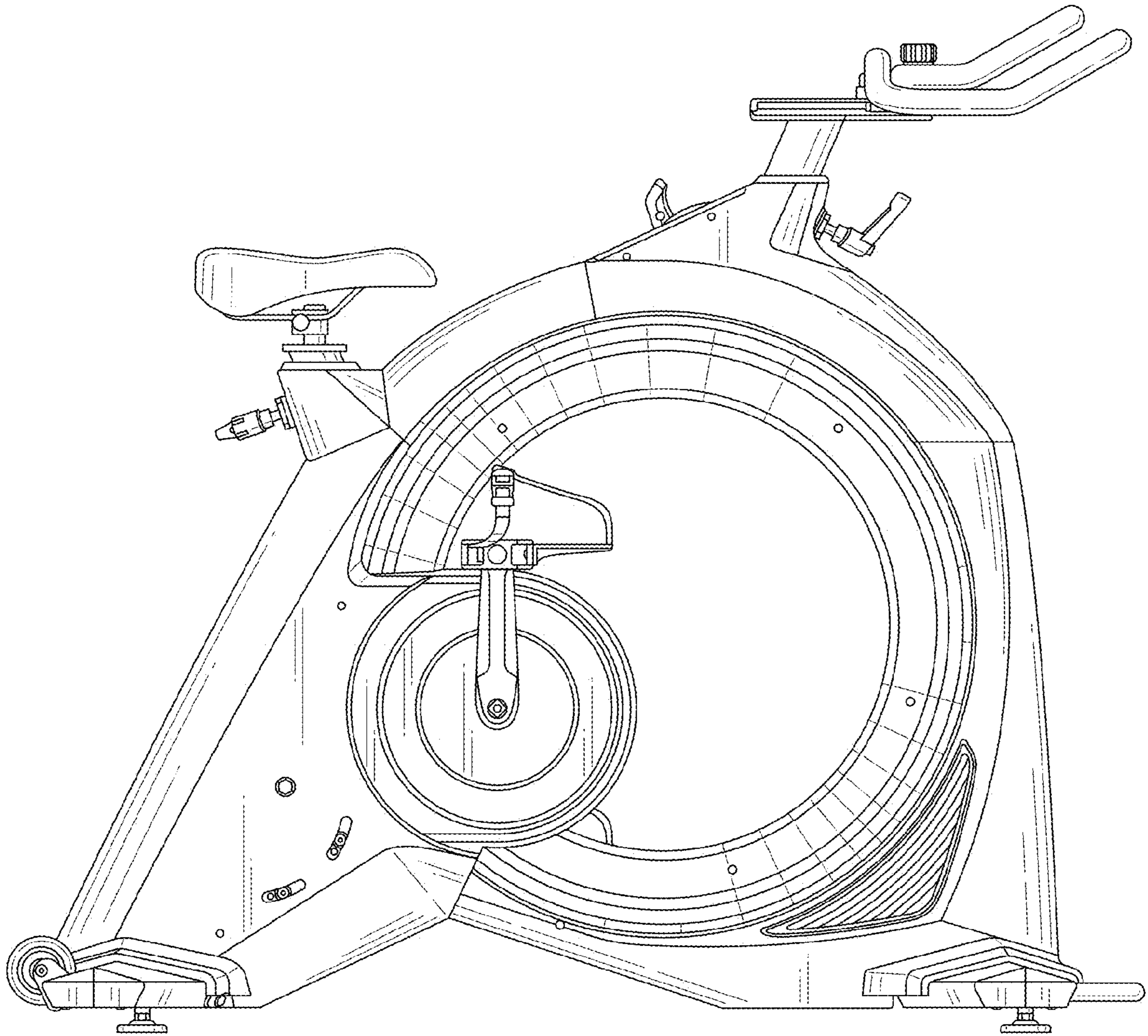


FIG. 5

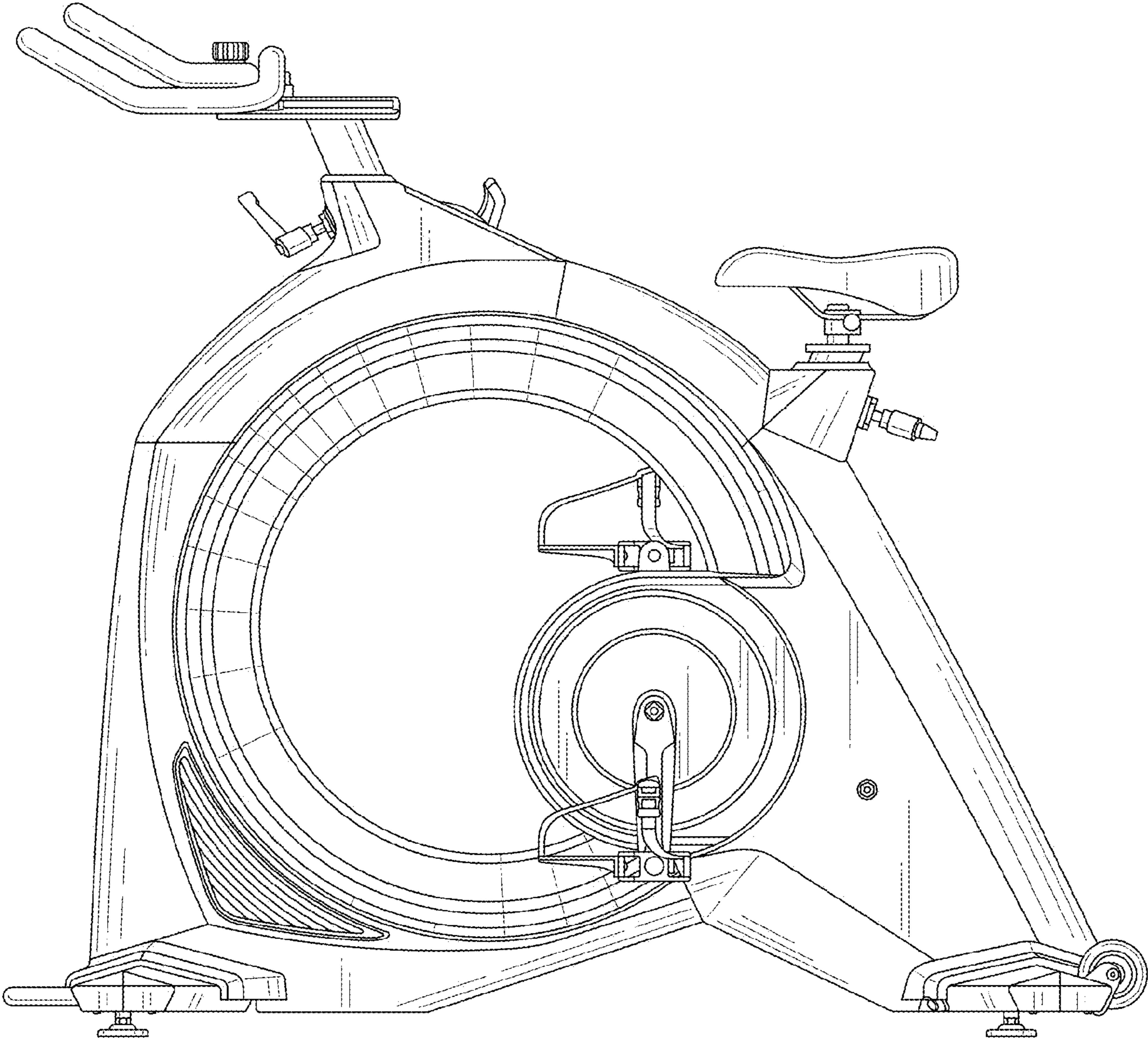


FIG. 6

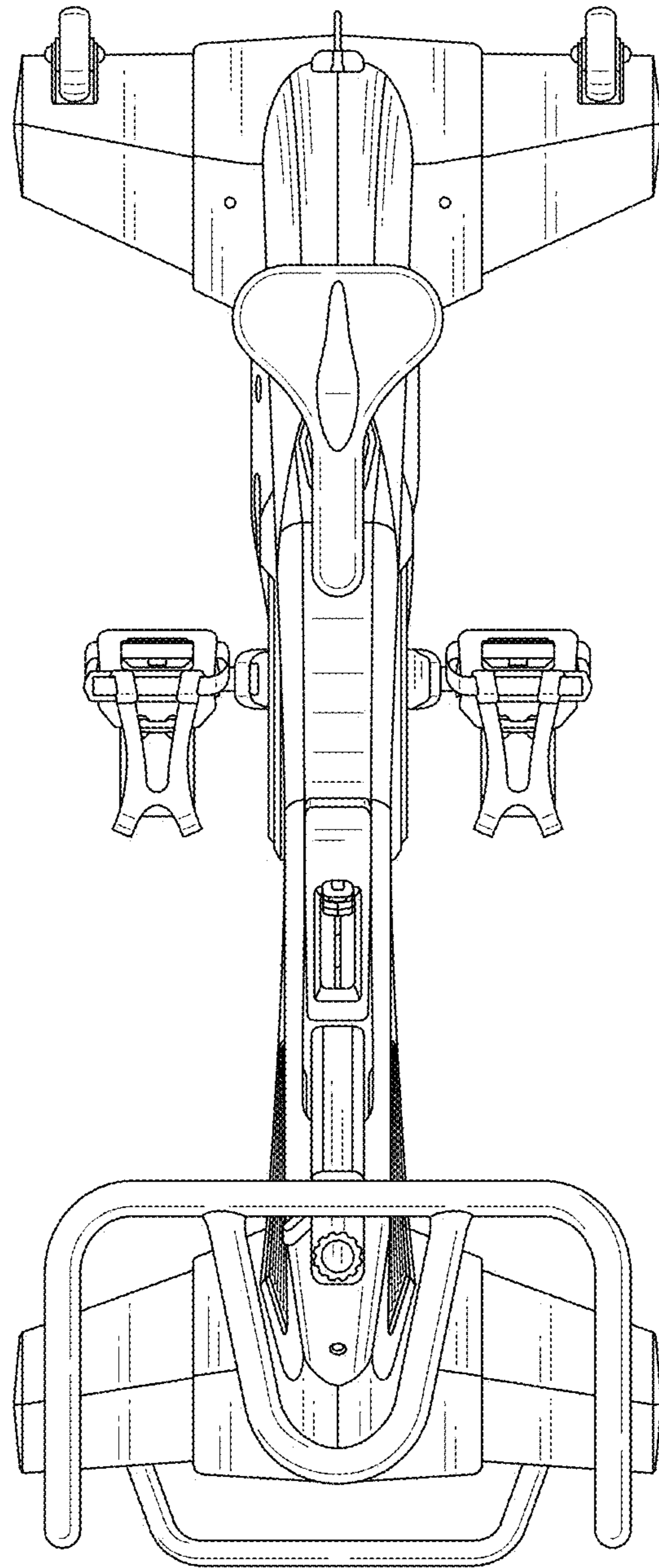


FIG. 7

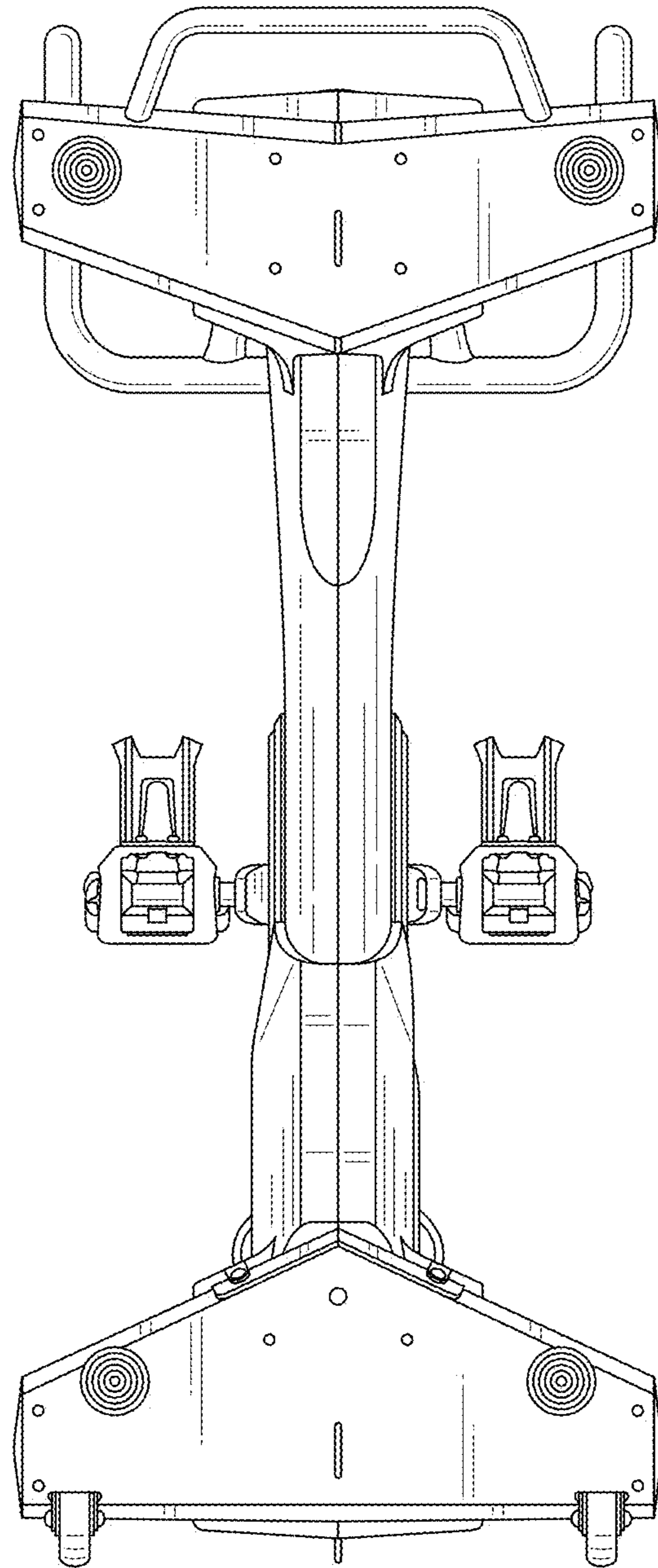


FIG. 8