



US00D963074S

(12) **United States Design Patent**
Liao

(10) **Patent No.:** **US D963,074 S**
(45) **Date of Patent:** **** Sep. 6, 2022**

(54) **TOY GUN**

(71) Applicant: **GUAY GUAY TRADING CO., LTD.**,
Changhua County (TW)

(72) Inventor: **Yin-Hsi Liao**, Changhua County (TW)

(73) Assignee: **GUAY GUAY TRADING CO., LTD.**,
Changhua County (TW)

(**) Term: **15 Years**

(21) Appl. No.: **29/755,659**

(22) Filed: **Oct. 22, 2020**

(30) **Foreign Application Priority Data**

Jul. 29, 2020 (TW) 109304213

(51) **LOC (13) Cl.** **21-01**

(52) **U.S. Cl.**
USPC **D21/573**

(58) **Field of Classification Search**
USPC D21/333, 570, 572-575; D14/418;
D22/100, 103

CPC F41B 7/00; F41B 7/003; F41B 7/08; F41B
9/00; F41B 9/0078; F41B 9/0081; F41B
11/89; A63H 5/04

See application file for complete search history.

(56) **References Cited**

U.S. PATENT DOCUMENTS

D524,871 S * 7/2006 Nunokawa D21/324
D729,880 S * 5/2015 Nichols D21/573

D733,223 S * 6/2015 Chu D21/573
D766,381 S * 9/2016 Crye D21/573
D803,955 S * 11/2017 Martelli D21/573
D808,486 S * 1/2018 Kafka D22/103
10,322,355 B1 * 6/2019 Liu A63H 5/04
D875,188 S * 2/2020 Gong D21/573
D899,530 S * 10/2020 Iwasawa D21/573
D903,032 S * 11/2020 Swoboda D22/103
2014/0083400 A1 * 3/2014 Falkowski, II F41B 7/003
124/16
2019/0093977 A1 * 3/2019 Kim A63H 5/04

* cited by examiner

Primary Examiner — Cynthia M. Chin

(74) *Attorney, Agent, or Firm* — Leong C. Lei

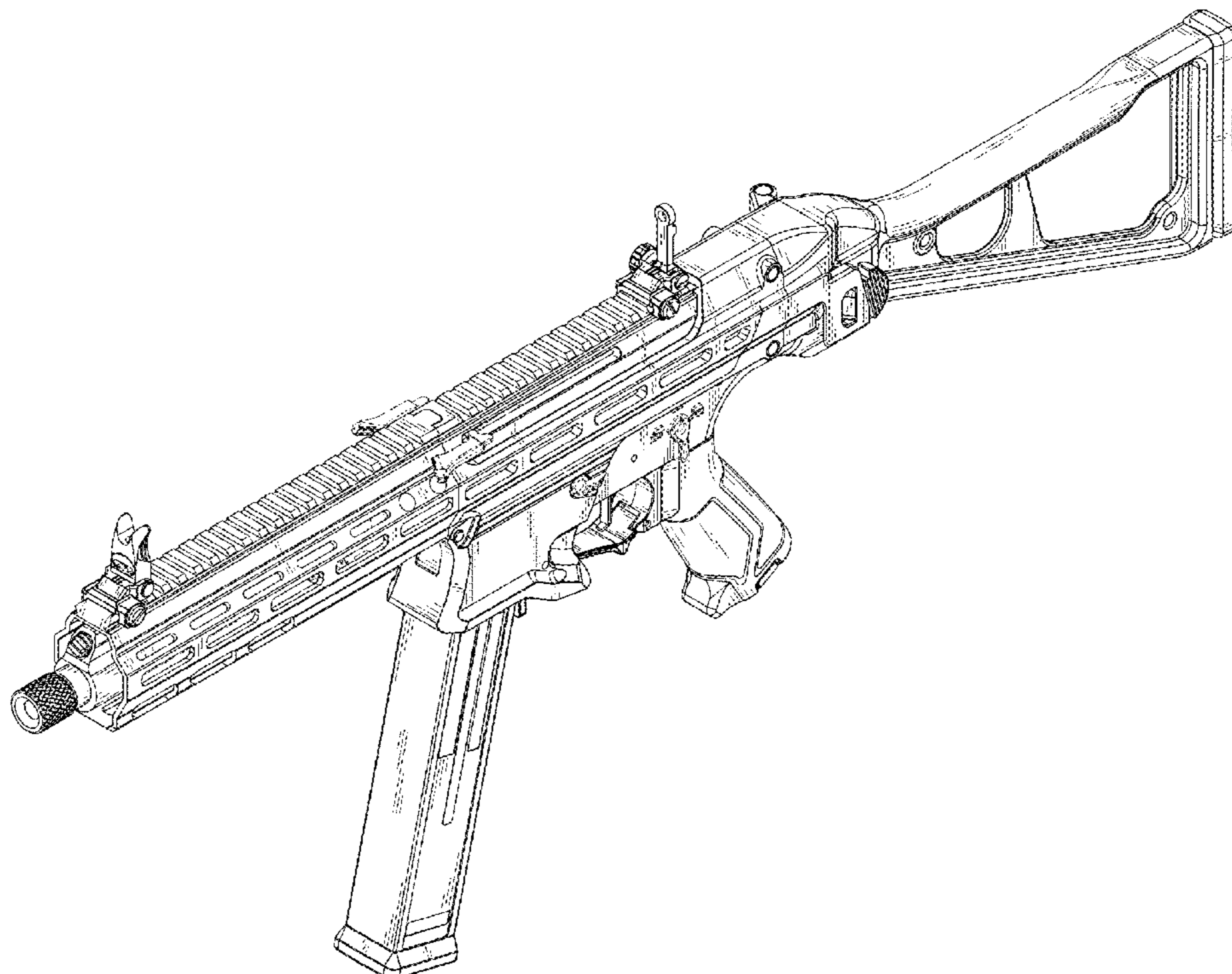
(57) **CLAIM**

The ornamental design for a toy gun, as shown and described.

DESCRIPTION

FIG. 1 is a perspective view of a toy gun showing my new design;
FIG. 2 is a front elevational view thereof;
FIG. 3 is a rear elevational view thereof;
FIG. 4 is a left side elevational view thereof;
FIG. 5 is a right side elevational view thereof;
FIG. 6 is a top plan view thereof;
FIG. 7 is a bottom plan view thereof;
FIG. 8 is another perspective view thereof; and,
FIG. 9 is another perspective view thereof.
The broken lines in the drawings illustrate portions of the toy gun which form no part of the claimed design.

1 Claim, 9 Drawing Sheets



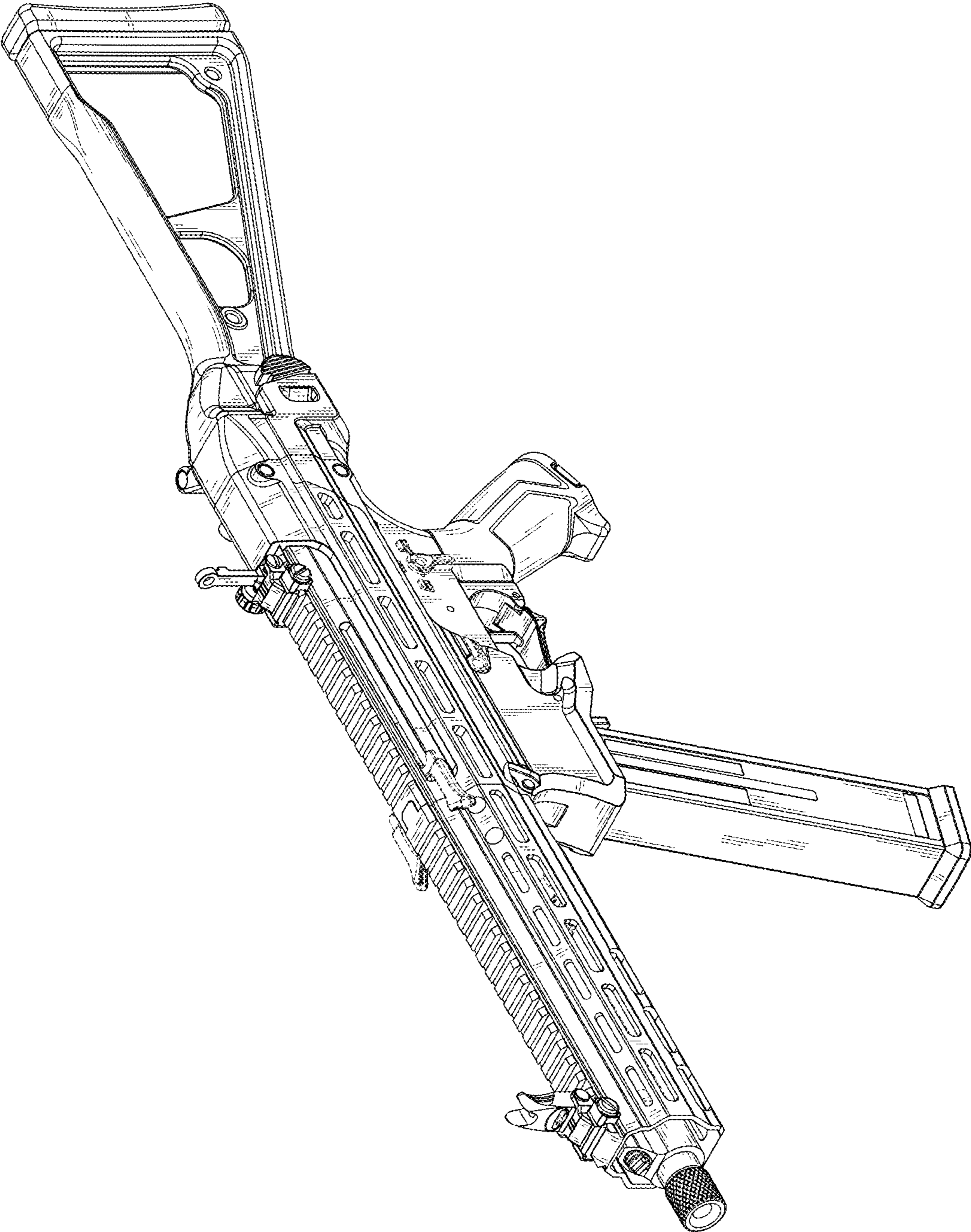


FIG. 1

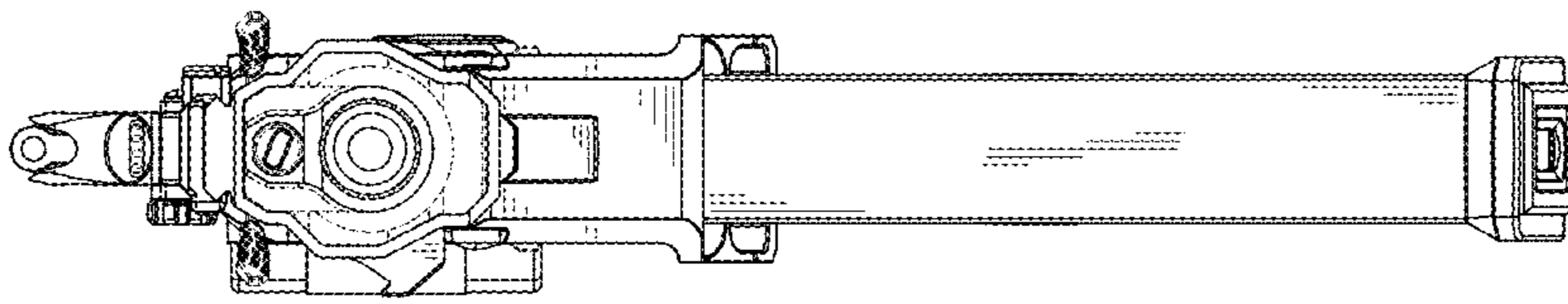


FIG. 2

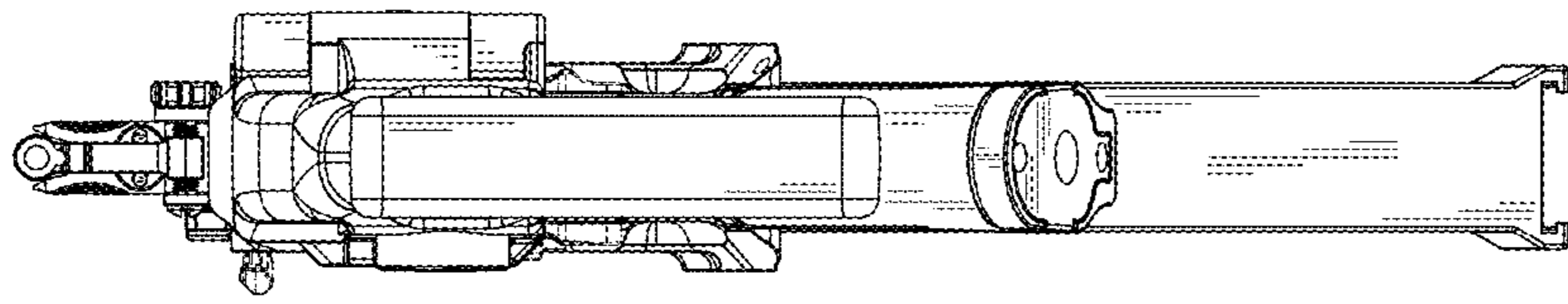


FIG. 3

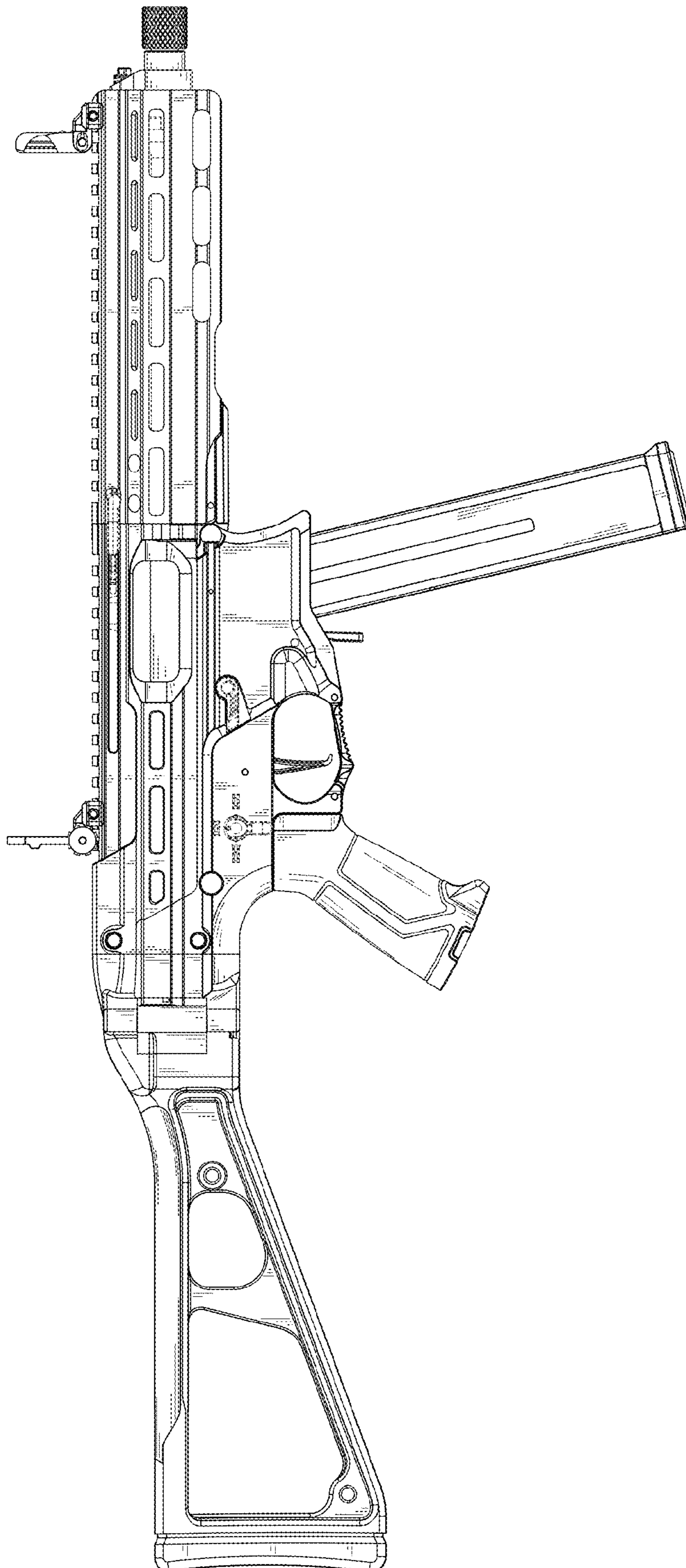


FIG. 4

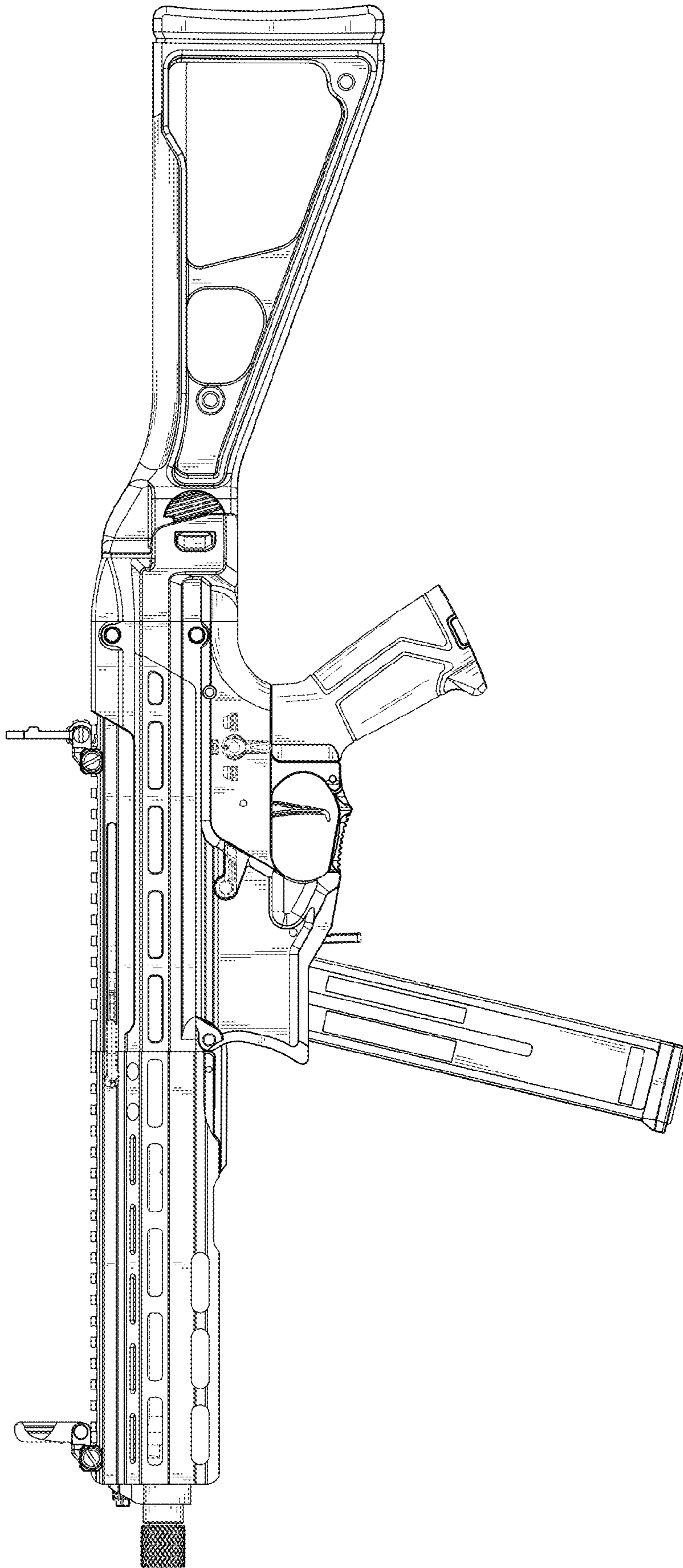


FIG. 5

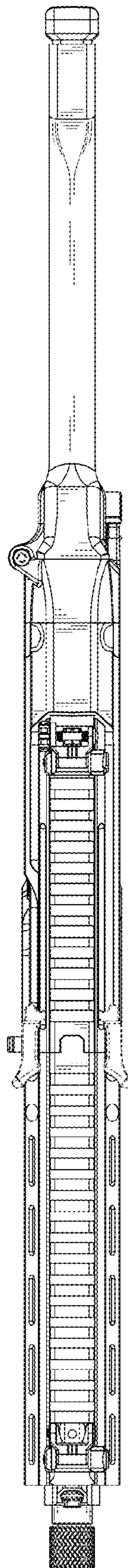


FIG. 6

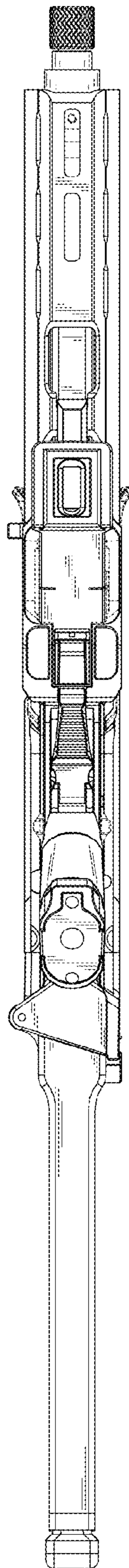


FIG. 7

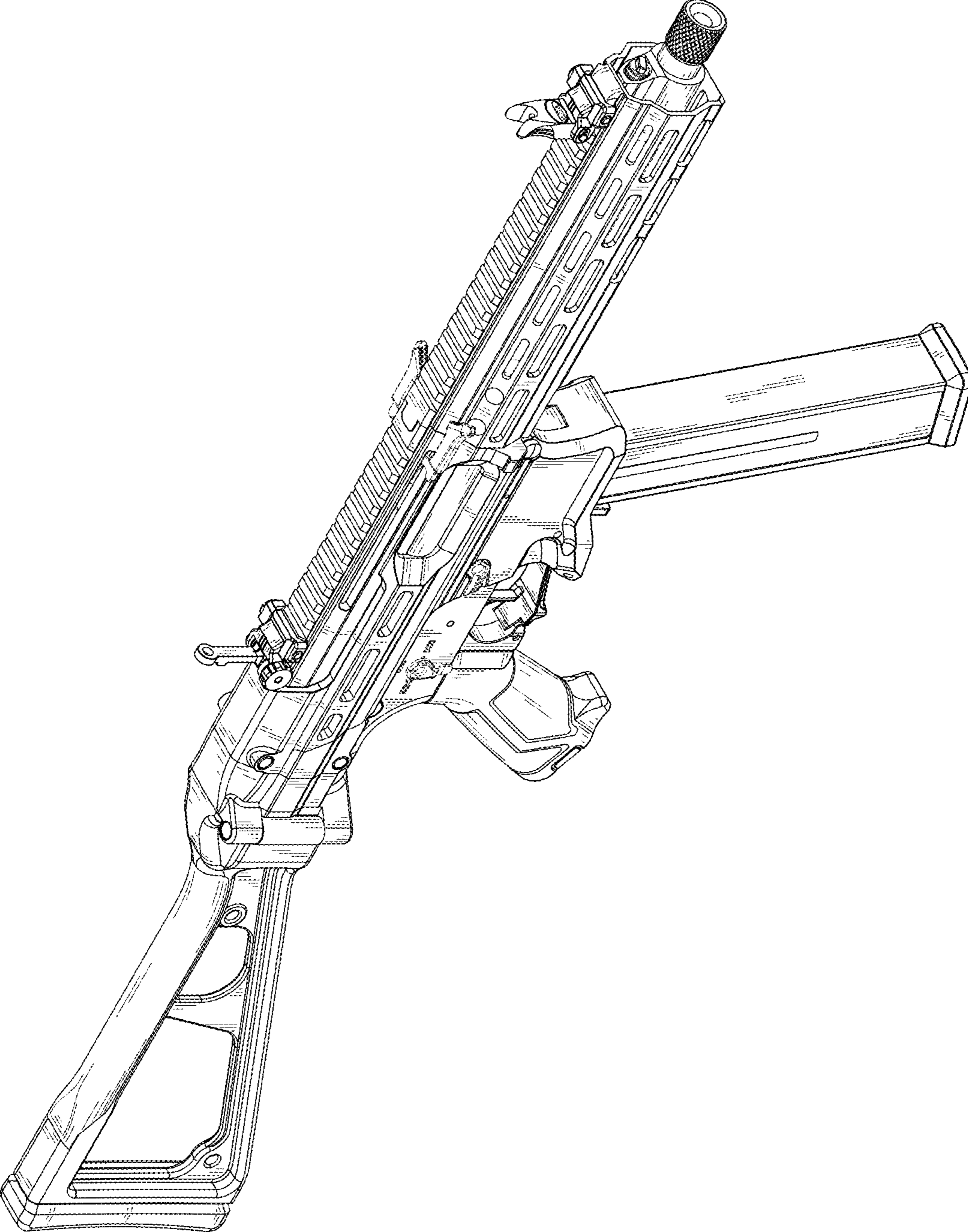


FIG. 8

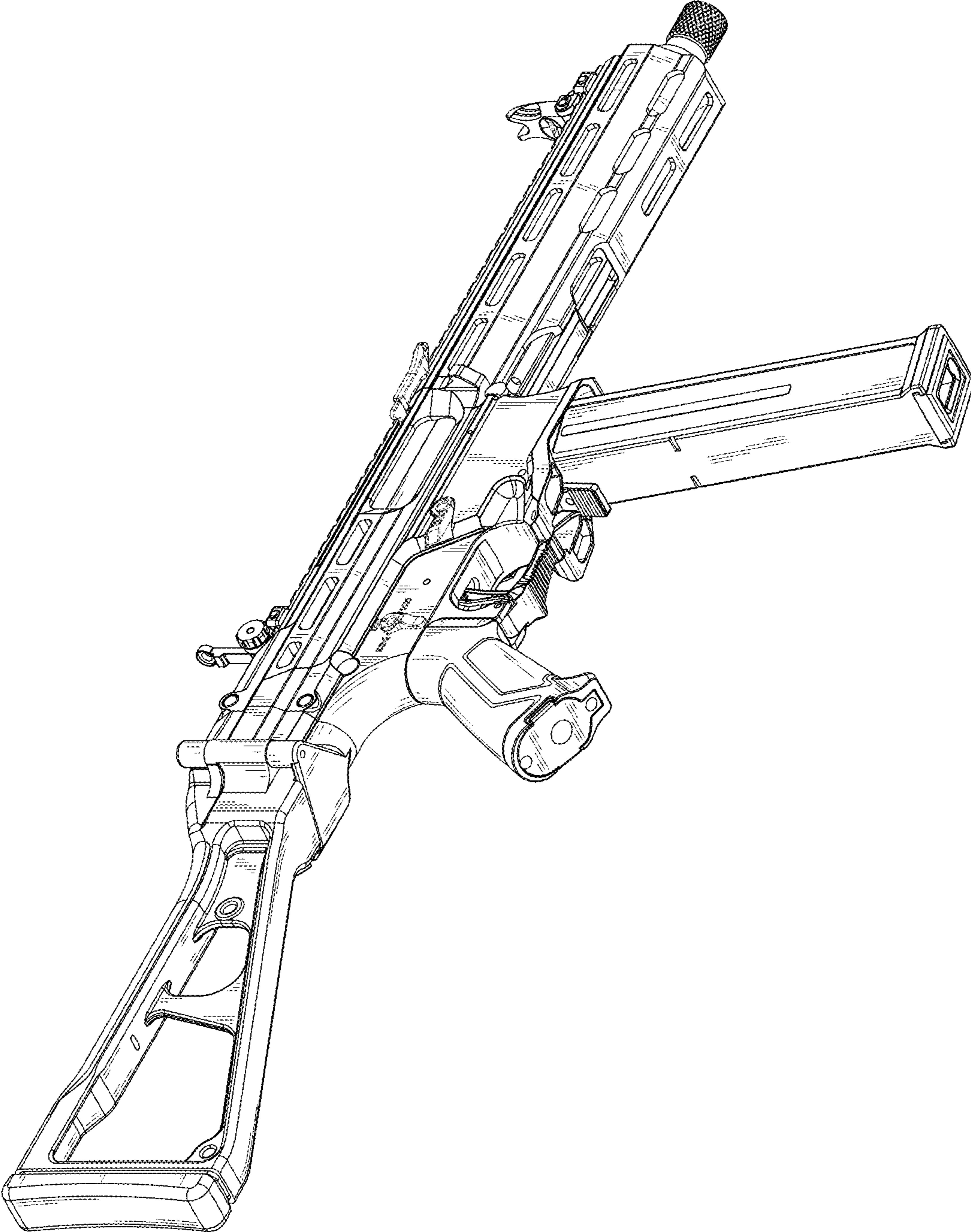


FIG. 9