



US00D963073S

(12) **United States Design Patent**
Maschin

(10) **Patent No.:** **US D963,073 S**

(45) **Date of Patent:** **** Sep. 6, 2022**

- (54) **TOY PROJECTILE LAUNCHER**
- (71) Applicant: **Hasbro, Inc.**, Pawtucket, RI (US)
- (72) Inventor: **Robert C Maschin**, Johnston, RI (US)
- (73) Assignee: **Hasbro, Inc.**, Pawtucket, RI (US)
- (**) Term: **15 Years**
- (21) Appl. No.: **29/754,099**
- (22) Filed: **Oct. 6, 2020**
- (51) **LOC (13) Cl.** **21-01**
- (52) **U.S. Cl.**
USPC **D21/573**
- (58) **Field of Classification Search**
USPC D21/333, 570, 572-575; D14/418;
D22/100, 103
CPC F41B 7/00; F41B 7/003; F41B 7/08; F41B
9/00; F41B 9/0078; F41B 9/0081; F41B
11/89; A63H 5/04
See application file for complete search history.

D508,277 S	8/2005	Cerovic	
7,163,009 B2	1/2007	Brown et al.	
D557,355 S	12/2007	Higuchi et al.	
D588,214 S	3/2009	Stadlbauer	
7,603,998 B2	10/2009	Finstad	
D635,620 S	4/2011	Nadel	
8,082,909 B2	12/2011	Sopkinsly et al.	
D660,926 S *	5/2012	Mastin	D21/573
8,186,337 B2 *	5/2012	Nadel	F41B 11/89 124/63
D664,609 S	7/2012	Johnson	
8,820,305 B2	9/2014	Victor et al.	
8,875,688 B2	11/2014	Nugent	
8,955,503 B2	2/2015	Corsiglia et al.	
9,958,230 B1	5/2018	Nugent et al.	
D834,112 S *	11/2018	Chu	D21/573
D903,789 S *	12/2020	Zheng	D21/572
2011/0168149 A1 *	7/2011	Nadel	F41B 11/641 124/63
2021/0102769 A1 *	4/2021	DeRoche	F41B 11/643

* cited by examiner

Primary Examiner — Cynthia M. Chin

(74) *Attorney, Agent, or Firm* — Perry Hoffman

(57) **CLAIM**

The ornamental design for a toy projectile launcher, as shown and described.

DESCRIPTION

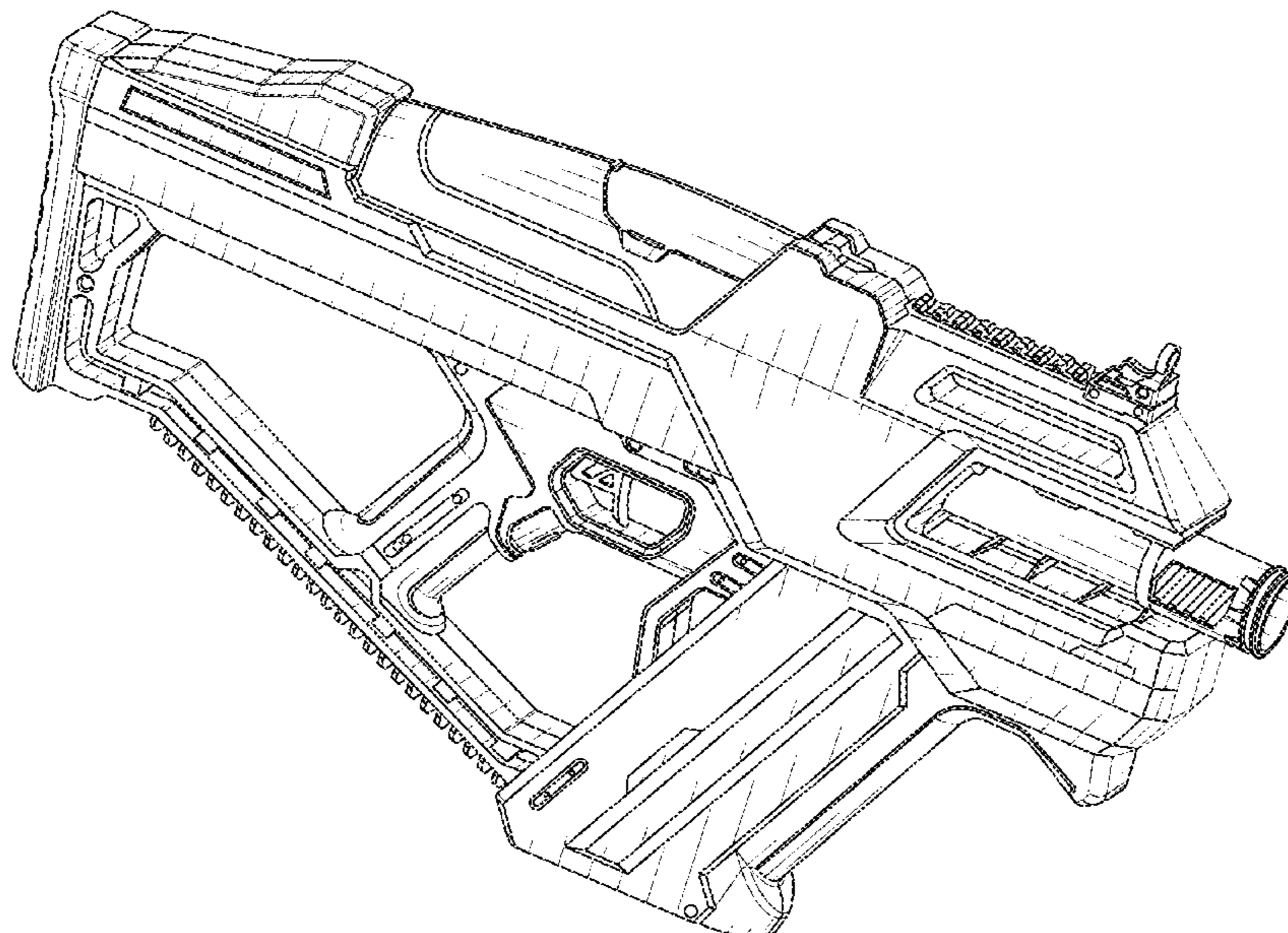
FIG. 1 is a front perspective view of the toy projectile launcher; FIG. 2 is a left side elevational view thereof; FIG. 3 is a right side elevational view thereof; FIG. 4 is a rear elevational view thereof; FIG. 5 is a front elevational view thereof; FIG. 6 is a top plan view thereof; and, FIG. 7 is a bottom plan view thereof. The broken lines are for the purpose of illustrating portions of the article that form no part of the claim.

1 Claim, 5 Drawing Sheets

(56) **References Cited**

U.S. PATENT DOCUMENTS

1,403,719 A	1/1922	Szepe
4,715,514 A	12/1987	Vidondo
4,796,893 A	1/1989	Choi
5,282,454 A	2/1994	Bell et al.
D354,997 S	1/1995	Arad et al.
5,611,321 A	3/1997	Hoeting et al.
5,984,788 A	11/1999	Lebensfeld et al.
6,261,180 B1	7/2001	Lebensfeld et al.
D449,354 S	10/2001	Hornsby et al.
6,302,796 B1	10/2001	Lebensfeld et al.
D454,166 S	3/2002	Hornsby et al.
D458,975 S	6/2002	Hornsby et al.
6,523,535 B2	2/2003	Rehlemper et al.
6,698,128 B2	3/2004	Kessler
D504,489 S	4/2005	Cerovic



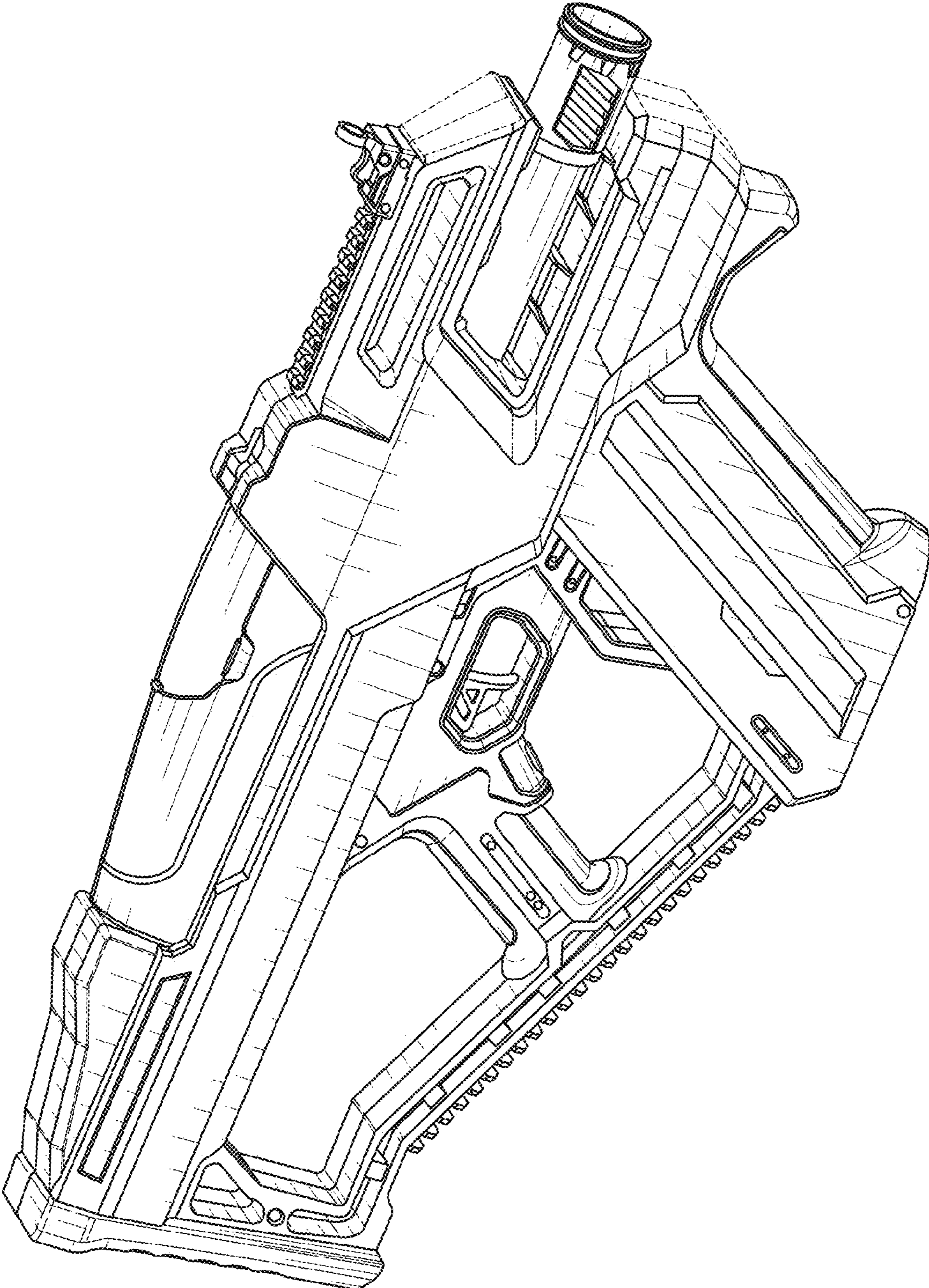


FIG. 1

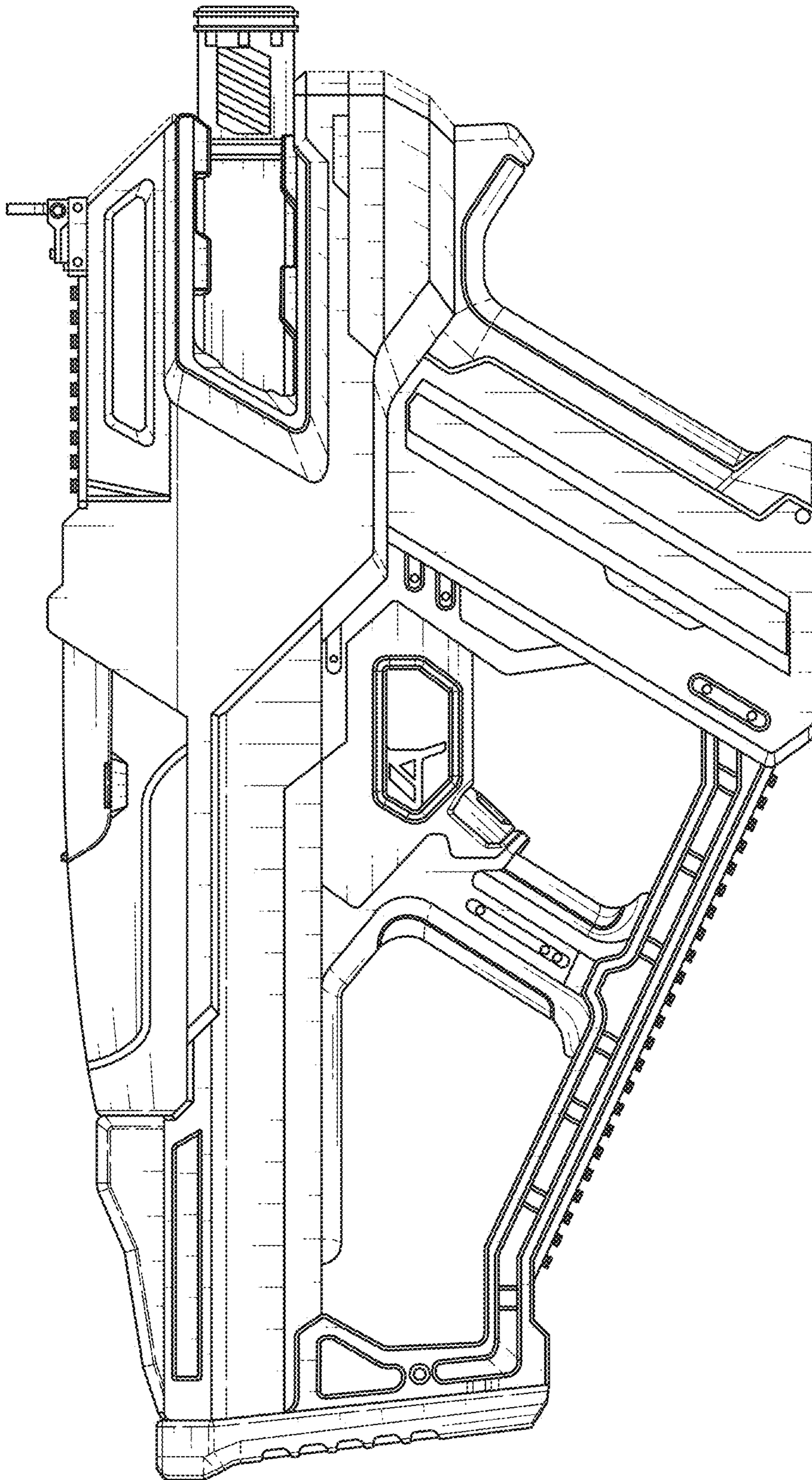


FIG. 2

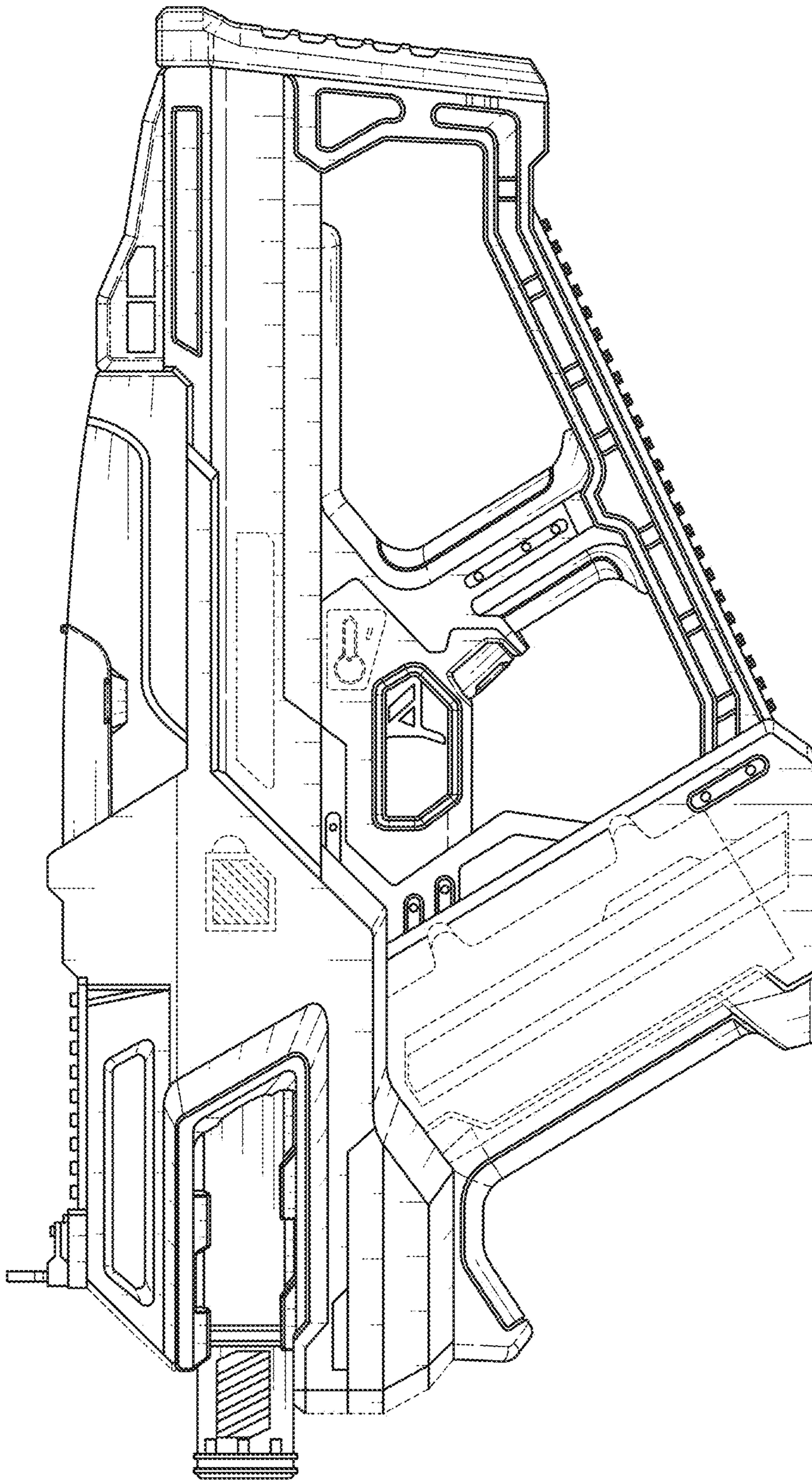


FIG. 3

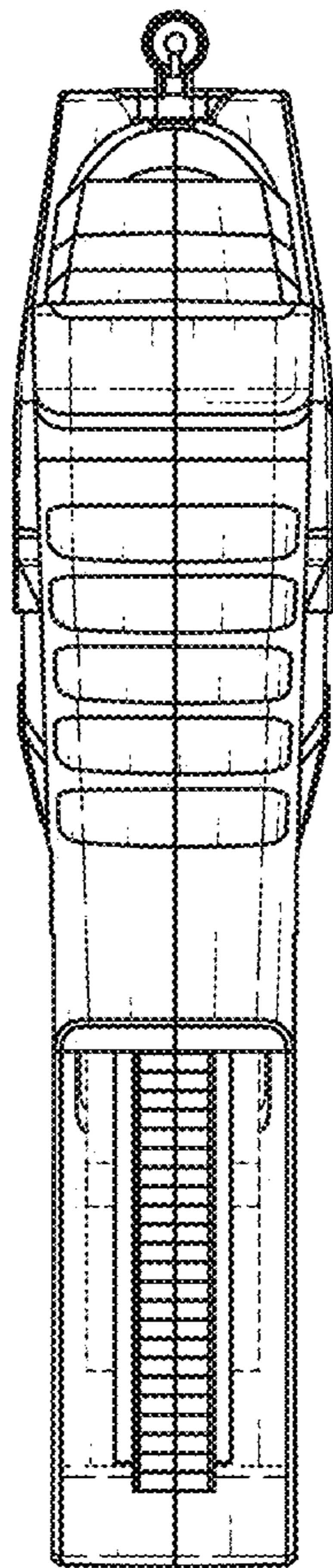


FIG. 4

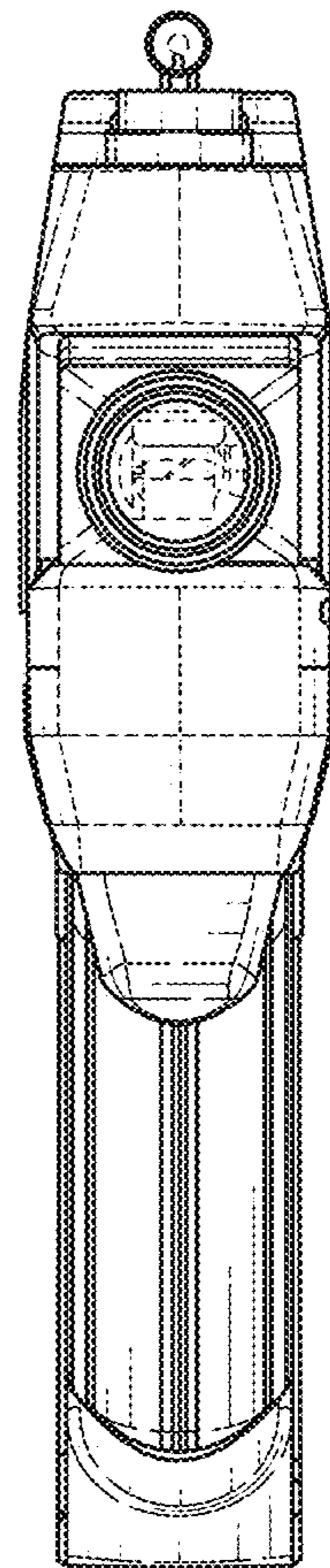


FIG. 5

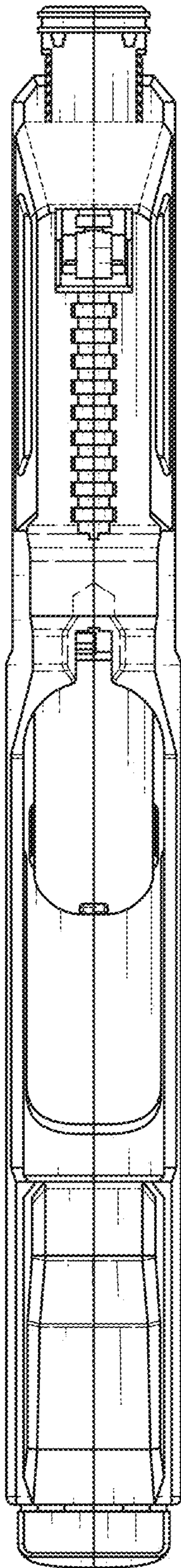


FIG. 6

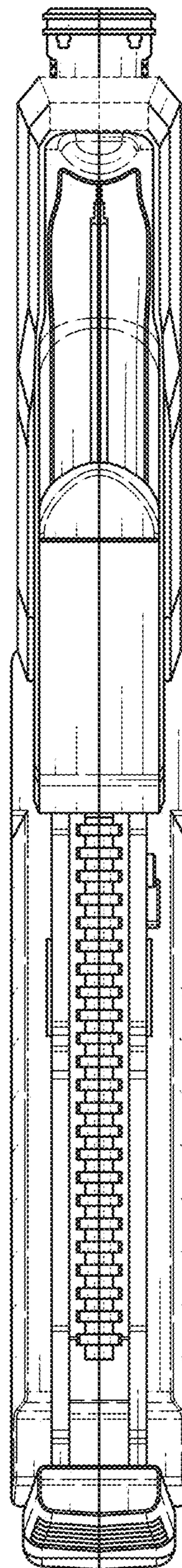


FIG. 7