



US00D963070S

(12) **United States Design Patent** (10) **Patent No.:** **US D963,070 S**
Gil (45) **Date of Patent:** **** Sep. 6, 2022**

(54) **BRICK FOR CONSTRUCTION TOYS**
(71) Applicant: **Sangchul Gil**, Hanam-si (KR)
(72) Inventor: **Sangchul Gil**, Hanam-si (KR)
(**) Term: **15 Years**

(21) Appl. No.: **29/824,028**
(22) Filed: **Jan. 21, 2022**

Related U.S. Application Data

(62) Division of application No. 35/510,231, filed on Mar. 4, 2020 (U.S. filing date under 35 U.S.C. 384), and having an international filing date of Mar. 4, 2022, now Pat. No. Des. 945,537.

Foreign Application Priority Data

(30) Feb. 21, 2020 (KR) 30-2020-0007791
Feb. 21, 2020 (KR) 30-2020-0007792

(51) **LOC (13) Cl.** **21-01**
(52) **U.S. Cl.**
USPC **D21/565**

(58) **Field of Classification Search**
USPC D21/334-368, 564, 565
CPC A63F 2009/1212-1228; A63H 33/04-14
See application file for complete search history.

References Cited

U.S. PATENT DOCUMENTS

1,325,021 A * 12/1919 Lemmerich B61L 17/00
104/26.1
3,395,861 A * 8/1968 Kindred A63H 18/02
238/10 F
D266,529 S * 10/1982 Aoki A63H 18/02
D21/564
4,504,243 A * 3/1985 Barlow A63F 3/00634
446/447
D296,804 S 7/1988 Bach et al.

D296,806 S 7/1988 Bach et al.
D382,026 S 8/1997 Petersson et al.
D388,138 S 12/1997 Lanoix
D409,690 S 5/1999 Nielsen
D409,691 S 5/1999 Harms
D632,348 S 2/2011 McNutt
8,353,737 B2 * 1/2013 Sofman A63H 17/44
463/2
D689,141 S 9/2013 Mimlitch et al.
D689,142 S 9/2013 Mimlitch et al.
D689,561 S 9/2013 Mimlitch et al.
D689,959 S 9/2013 Mimlitch et al.
D692,070 S 10/2013 Mimlitch et al.
D699,302 S 2/2014 Mimlitch et al.
D717,887 S 11/2014 Edwards
D726,835 S 4/2015 Edwards
D829,830 S 10/2018 Wakim
D832,369 S 10/2018 Johnson et al.
D833,546 S 11/2018 Siow et al.
D858,654 S 9/2019 Millar et al.
D868,170 S 11/2019 Ornstein et al.
D915,528 S 4/2021 Wang

(Continued)

Primary Examiner — Joseph Kukella
(74) *Attorney, Agent, or Firm* — Revolution IP, PLLC

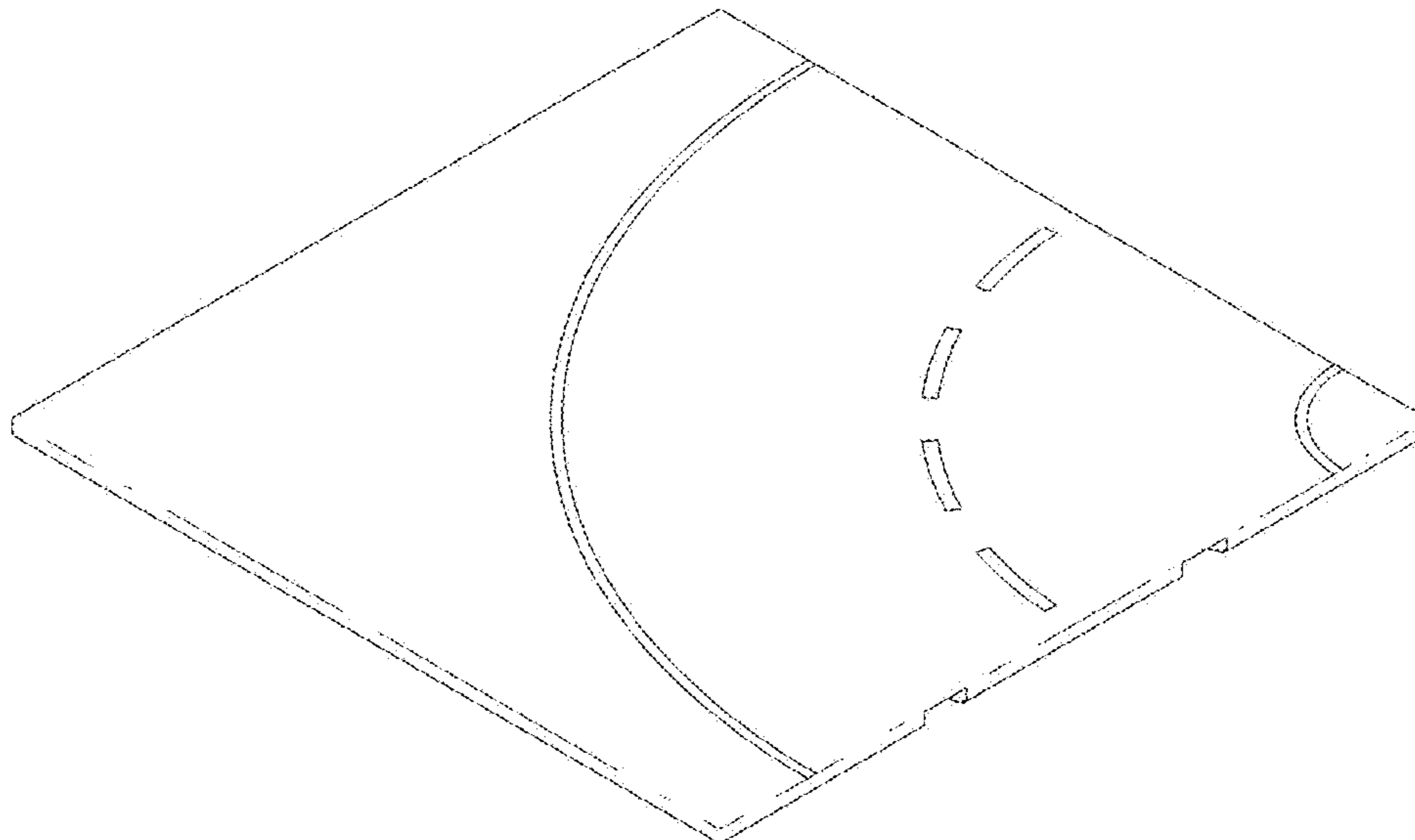
(57) **CLAIM**

The ornamental design for a brick for construction toys, as shown and described.

DESCRIPTION

FIG. 1 is a perspective view of a brick for construction toys showing the claimed design;
FIG. 2 is a front view thereof;
FIG. 3 is a rear view thereof;
FIG. 4 is a left side view thereof;
FIG. 5 is a right side view thereof;
FIG. 6 is a top view thereof; and,
FIG. 7 is a bottom view thereof.

1 Claim, 7 Drawing Sheets



(56)

References Cited

U.S. PATENT DOCUMENTS

D917,631 S 4/2021 Wang
2010/0258646 A1* 10/2010 Tamulewicz A63H 33/26
238/10 B
2016/0074762 A1 3/2016 Klein
2019/0192983 A1* 6/2019 Silvergate A63H 18/04

* cited by examiner

FIG. 1

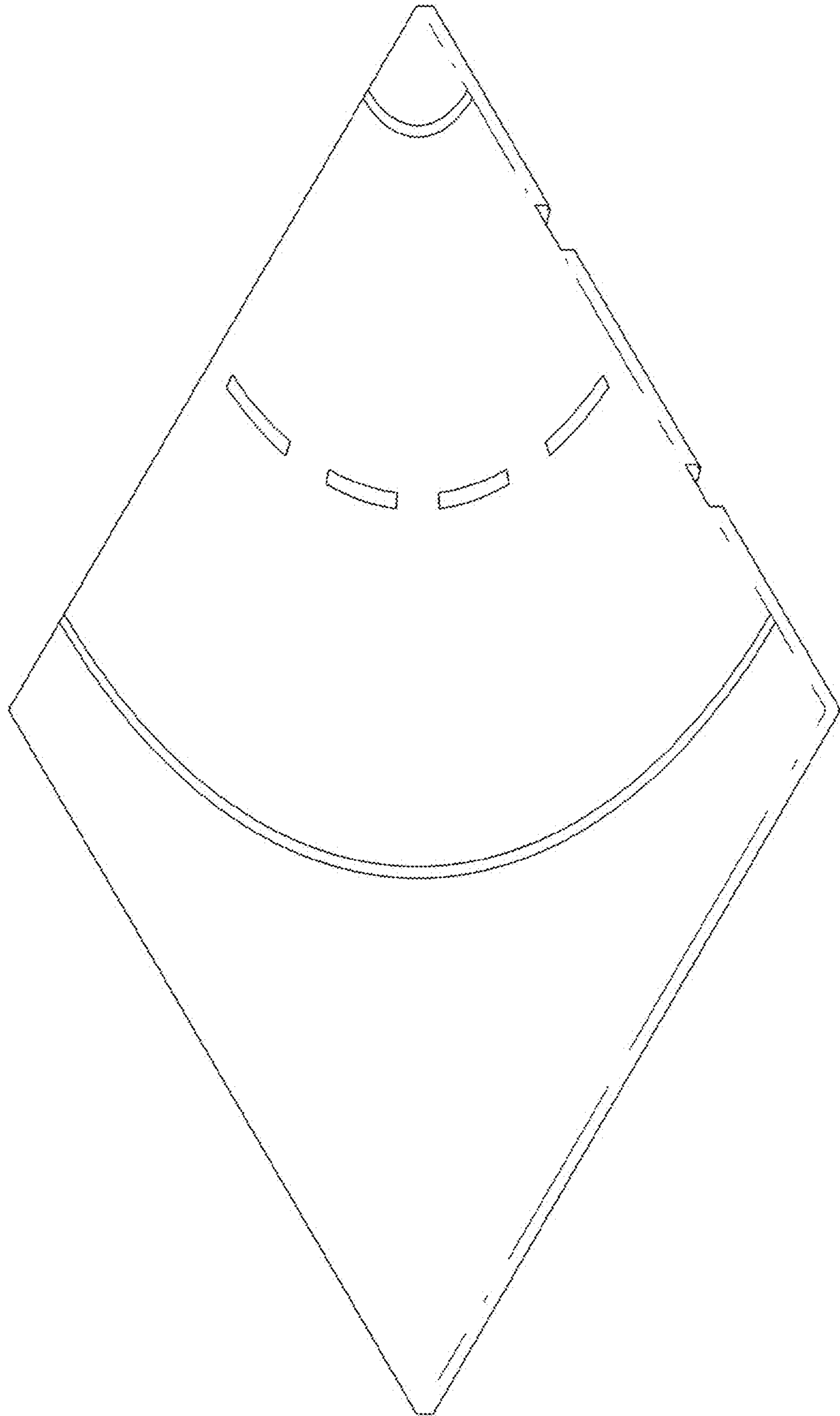


FIG. 2



FIG. 3



FIG. 4



FIG. 5



FIG. 6

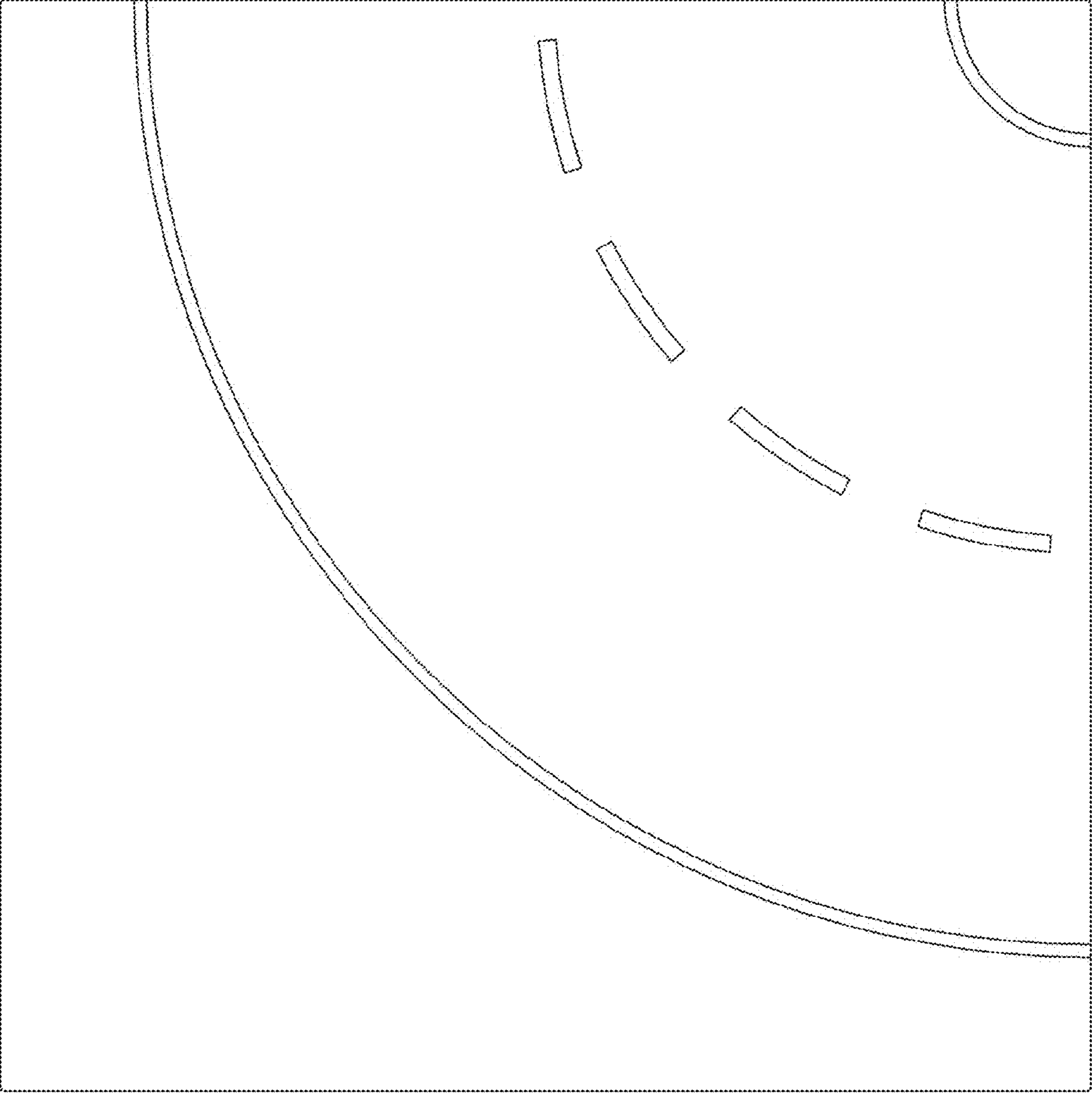


FIG. 7

