



US00D963069S

(12) **United States Design Patent**  
**Ewing**

(10) **Patent No.:** **US D963,069 S**  
(45) **Date of Patent:** **\*\* Sep. 6, 2022**

(54) **MODEL VEHICLE BODY WASHER**  
(71) Applicant: **TRAXXAS LP**, McKinney, TX (US)  
(72) Inventor: **Adam Cole Ewing**, McKinney, TX (US)  
(73) Assignee: **TRAXXAS, L.P.**, McKinney, TX (US)  
(\*\*) Term: **15 Years**

D445,805 S 7/2001 Bruns  
D479,793 S 9/2003 Jones  
D484,037 S 12/2003 Fleetwood  
D495,116 S \* 8/2004 Trocme ..... D25/113  
D500,536 S 1/2005 Broberg  
D515,910 S 2/2006 Gates et al.  
D522,307 S \* 6/2006 Mariani ..... D7/355  
D532,291 S 11/2006 Geers  
D537,201 S \* 2/2007 McLeish ..... D28/8.1  
(Continued)

(21) Appl. No.: **29/730,221**  
(22) Filed: **Apr. 2, 2020**  
(51) **LOC (13) Cl.** ..... **21-01**  
(52) **U.S. Cl.**  
USPC ..... **D21/561**  
(58) **Field of Classification Search**  
USPC ..... D21/548, 561-562; D8/71, 399;  
D14/483; D15/143, 147, 199;  
D1/100-104, 111; D24/101  
CPC .... A63H 17/00; A63H 17/002; A63H 17/004;  
A63H 17/26; A63H 17/262; A63H  
17/264; A63H 17/266; A63H 17/34;  
A63H 17/36; A63H 17/38; A63H 29/00;  
A63H 29/16; A63H 29/165; A63H 29/24;  
F16F 9/145; F16F 9/12  
See application file for complete search history.

**OTHER PUBLICATIONS**

LONGWIN 60mm Trapezoid Dimple Blocks, Jan. 22, 2018, amazon.com, Jun. 29, 2022, URL: <https://www.amazon.com/LONGWIN-Trapezoid-Dimple-Display-150-200mm/dp/B01ESZ1OWK/> (Year: 2018).\*

(Continued)

*Primary Examiner* — Keith J Wilson  
(74) *Attorney, Agent, or Firm* — Daryl R. Wright; Greg Carr

(57) **CLAIM**

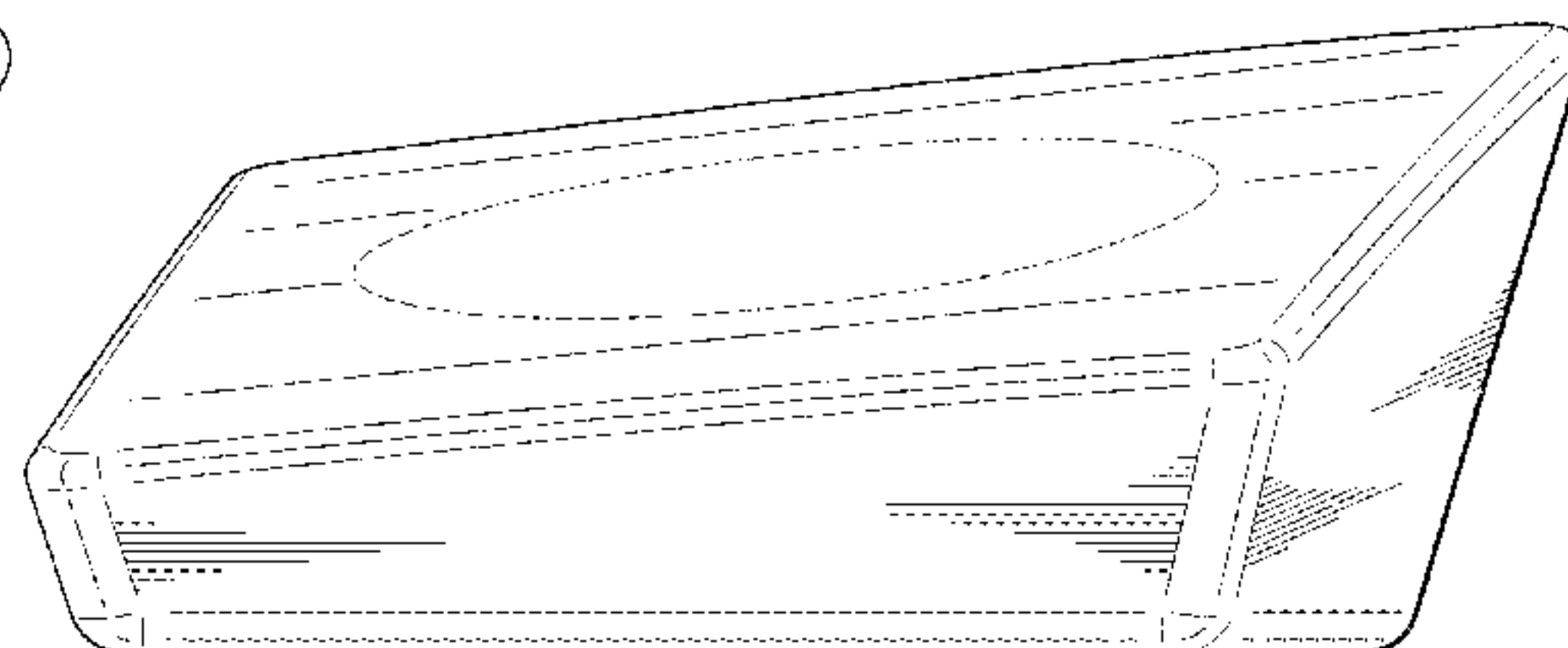
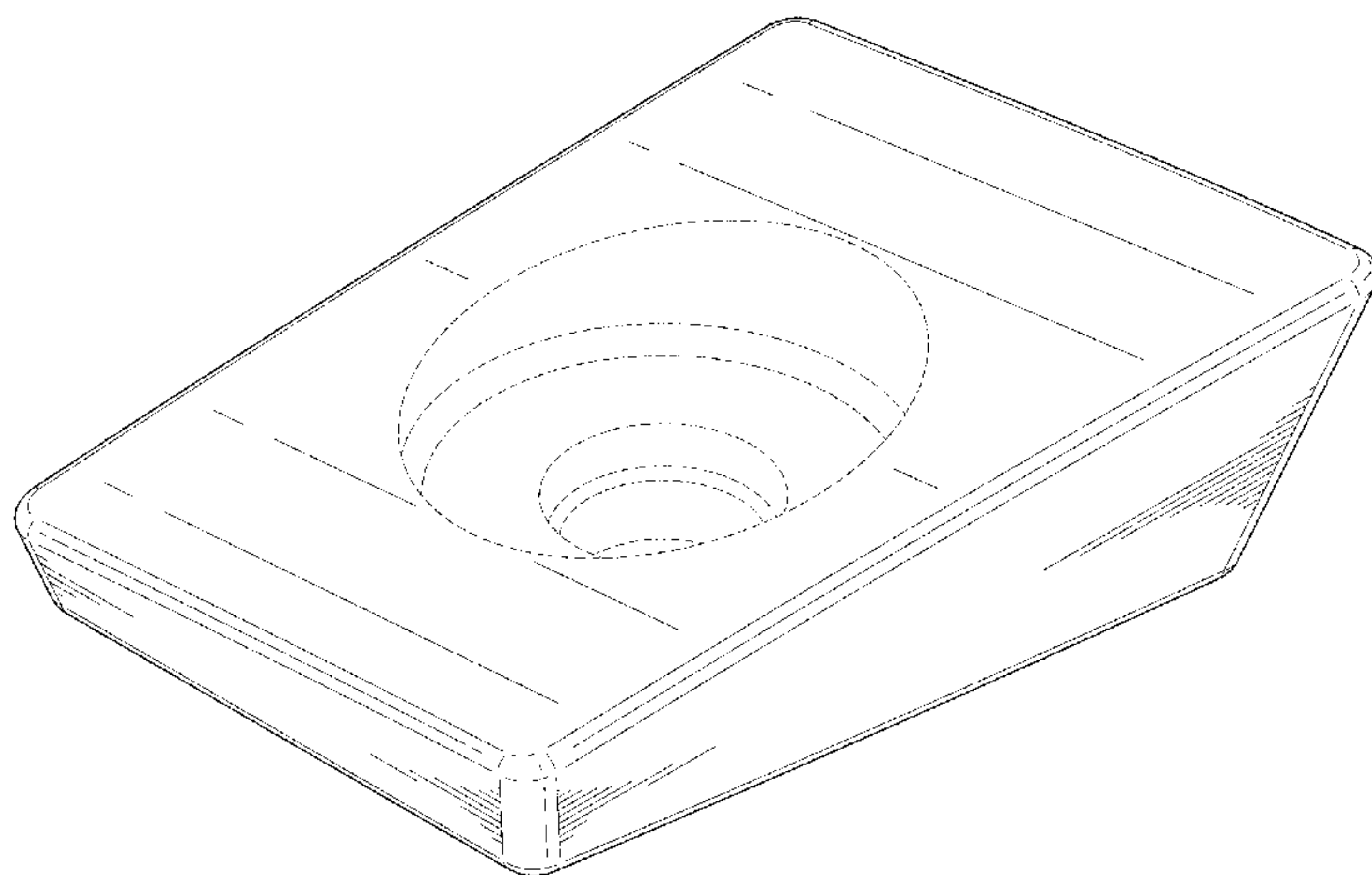
I claim the ornamental design for a model vehicle body washer, as shown and described.

**DESCRIPTION**

FIG. 1 is an upper, left, front perspective view of a model vehicle body washer showing my new design; FIG. 2 is a front elevation view thereof; FIG. 3 is a rear elevation view thereof; FIG. 4 is a left side elevation view thereof; FIG. 5 is a right side elevation view thereof; FIG. 6 is an upper plan view thereof; and, FIG. 7 is a lower plan view of the model vehicle body washer. The broken lines in the drawings illustrate portions of the model vehicle body washer that form no part of the claimed design.

**1 Claim, 5 Drawing Sheets**

(56) **References Cited**  
U.S. PATENT DOCUMENTS  
D264,792 S \* 6/1982 Conti ..... D7/584  
4,371,293 A 2/1983 Wilcox et al.  
D281,187 S \* 10/1985 Wiese ..... D21/561  
D284,165 S 6/1986 Brilando et al.  
D364,084 S \* 11/1995 Yaich ..... D8/356  
D373,370 S 9/1996 Anthony  
D390,648 S \* 2/1998 Woodall, III ..... D23/371  
D399,730 S 10/1998 Pitre  
D404,128 S 1/1999 Huebner  
D429,254 S 8/2000 Bisschop  
D439,654 S \* 3/2001 Hite ..... D24/101



(56)

References Cited

U.S. PATENT DOCUMENTS

D552,633 S \* 10/2007 Volkan ..... D15/90  
 D562,187 S 2/2008 Tiede  
 D571,640 S 6/2008 Misch  
 D592,377 S \* 5/2009 Lee ..... D1/127  
 D628,047 S 11/2010 Craig  
 D641,527 S \* 7/2011 Regnier ..... D32/40  
 D647,789 S 11/2011 McGowan  
 D650,121 S \* 12/2011 Volkan ..... D26/125  
 D654,937 S 2/2012 Fader et al.  
 D674,350 S 1/2013 Hodge et al.  
 8,408,419 B2 \* 4/2013 Rippl ..... A47K 10/42  
 221/45  
 D682,124 S 5/2013 Small  
 D682,225 S \* 5/2013 Bergmann ..... D13/180  
 D691,034 S 10/2013 Field et al.  
 D708,043 S 7/2014 Sonnendorfer et al.  
 D711,622 S \* 8/2014 Kaufman ..... D1/199  
 D711,623 S \* 8/2014 Kaufman ..... D1/199  
 D713,237 S 9/2014 Towner  
 D713,240 S 9/2014 Chance et al.  
 D741,338 S \* 10/2015 Hoshikugi ..... D14/483  
 D747,277 S \* 1/2016 Katsnelson ..... D13/155  
 D749,708 S 2/2016 Smith  
 D760,918 S \* 7/2016 Bilge ..... D25/138  
 D760,922 S \* 7/2016 Bilge ..... D25/138  
 D778,702 S 2/2017 Mouthaan  
 D805,223 S 12/2017 DeBellis  
 D812,109 S 3/2018 Cross et al.  
 D817,140 S \* 5/2018 Mouthaan ..... D8/71  
 D826,340 S \* 8/2018 Ewing ..... D21/561  
 D828,460 S \* 9/2018 Wood ..... D21/561  
 D835,503 S 12/2018 Votel et al.  
 D835,504 S 12/2018 Votel et al.  
 D840,779 S 2/2019 Votel et al.  
 D845,100 S \* 4/2019 Gonzalez Garcia ..... D8/71  
 D857,491 S 8/2019 Bell et al.  
 D867,475 S \* 11/2019 Ewing ..... A63H 17/262  
 D21/561  
 D868,171 S \* 11/2019 Wood ..... D21/495  
 D874,684 S \* 2/2020 Darrow ..... D25/138  
 D880,625 S 4/2020 Romanoff et al.  
 D899,917 S \* 10/2020 Sprowl ..... D8/399  
 D899,918 S \* 10/2020 Sprowl ..... D8/399  
 D900,250 S \* 10/2020 Ewing ..... D21/561  
 D901,288 S \* 11/2020 Sprowl ..... D8/399  
 D901,289 S \* 11/2020 Sprowl ..... D8/399  
 D902,706 S \* 11/2020 Sprowl ..... D8/399

D904,532 S \* 12/2020 Ewing ..... D21/561  
 D945,597 S \* 3/2022 Morris ..... D24/101  
 D945,736 S \* 3/2022 Weatherby ..... D1/101  
 2011/0129318 A1 6/2011 Davies  
 2012/0199530 A1 8/2012 Kim  
 2013/0046389 A1 2/2013 Fierlbeck et al.  
 2017/0321434 A1 \* 11/2017 Shadwell ..... E04F 15/02183

OTHER PUBLICATIONS

Black Rubber Feet 16PCS Self Adhesive Rubber Feet Bumper, Apr. 23, 2020, amazon.com, Jun. 29, 2022, URL: <https://www.amazon.com/Adhesive-Electronics-Speakers-Computers-Keyboard/dp/B085DMB1XV/>(Year: 2020).\*

Blocks, Trapezoid Set of 2, Jul. 1, 2015, amazon.jp, Jun. 29, 2022, URL: <https://www.amazon.co.jp/-/en/Blocks-Trapezoid-Set-of-2/dp/B010P8LSU2> (Year: 2015).\*

Yoga Foam Wedge Blocks, Apr. 10, 2018, amazon.com, Jun. 30, 2022, URL: <https://www.amazon.com/dp/B07C3GMFN5/> (Year: 2018).\*

Grote 93402 Black Grommet for Small Rectangular Light (PVC), Jul. 7, 2004, Amazon.com, Jun. 16, 2021, URL: <https://www.amazon.com/Grote-93402-Black-Grommet-Rectangular/dp/B000FBUL62> (Year: 2004).

Single Gang Bundled Cable Wall Plate, White, Nov. 7, 2016, Amazon.com, Jun. 16, 2021, URL: <https://www.amazon.com/Skywalker-Signature-Single-Bundled-Cable/dp/B01N3KSI27> (Year: 2016).

ZdyCGTime Bulk Nose Faceplate Wall Plate for Cabling 1 Gang Cable Plate, Sep. 27, 2018, Amazon.com, Jun. 16, 2021, URL: <https://www.amazon.com/dp/B07HRC2422/> (Year: 2018).

Dorman HELP! 42062 PCV Valve Grommet, Jul. 7, 2004, Amazon.com, Jun. 16, 2021, URL: <https://www.amazon.com/Dorman-HELP-42062-Valve-Grommet/dp/B000COB5Y4> (Year: 2004).

RPM Body Savers for Traxxas Rustler 4x4, Tin-Eye Date Aug. 15, 2019 [Online], [Site Visited Nov. 3, 2020] Available From Internet, URL: <https://www.modelsport.co.uk/rpm-body-savers-for-traxxas-rustler-4x4/rc-car-products/442109> (Year 2019).

Product Spotlight: Body Reinforcements, Earliest Available Date Nov. 3, 2020 [Online], [Site Visited Nov. 3, 2020] Available From Internet, URL: <https://traxxas.com/news/body-reinforcements> (Year: 2020).

Black Rubber Feet 16PCS Self Adhesive Rubber Feet Bumper, Apr. 23, 2020, amazon.com, Jun. 29, 2022, URL: <https://www.amazon.com/Adhesive-Electronics-Speakers-Computers-Keyboard/dp/B085DMB1XV/> (Year: 2020).

\* cited by examiner



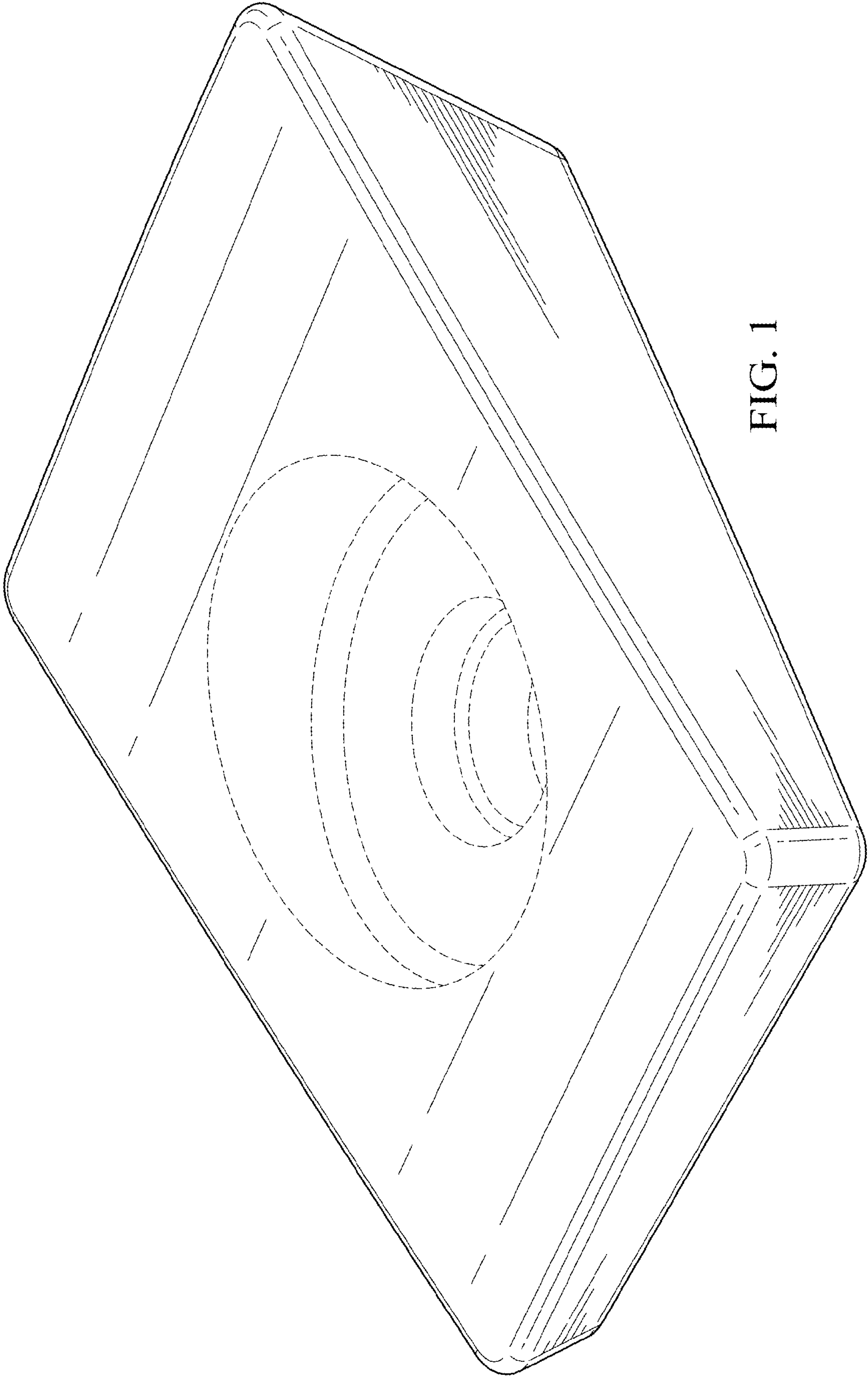


FIG. 1

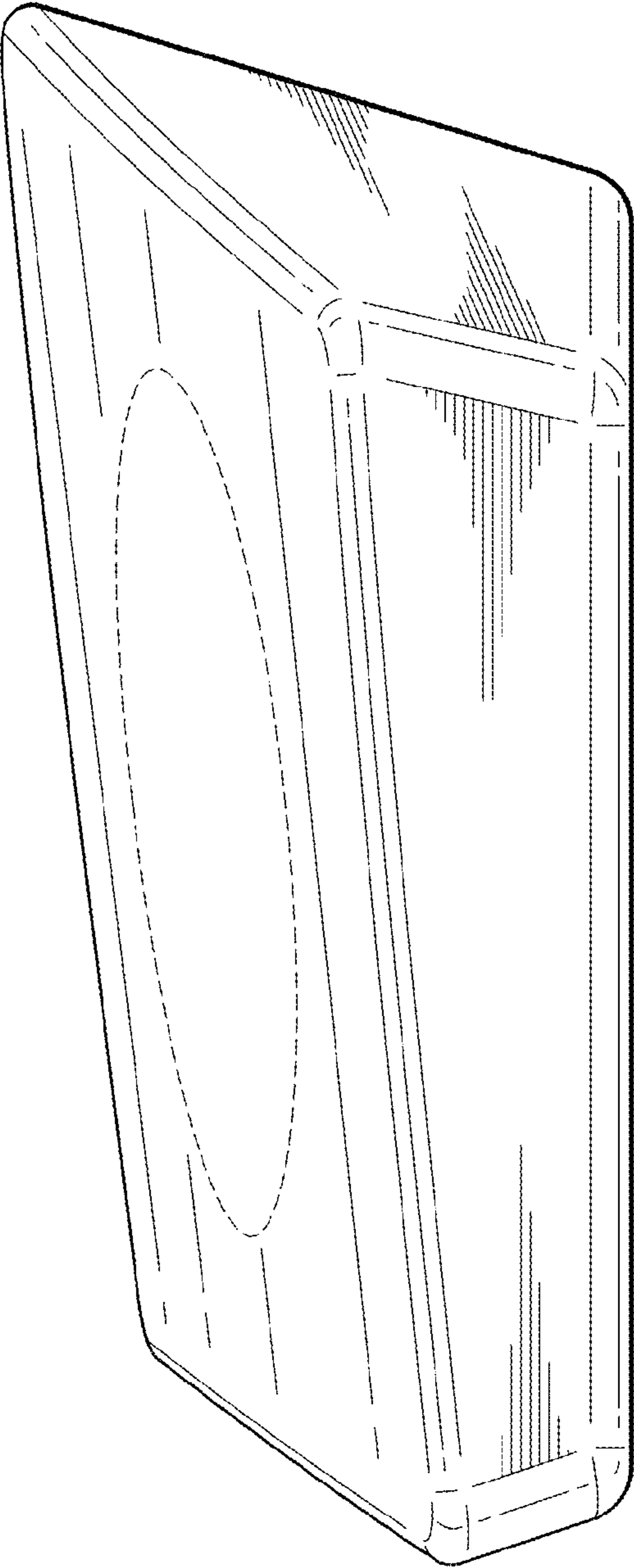


FIG. 2

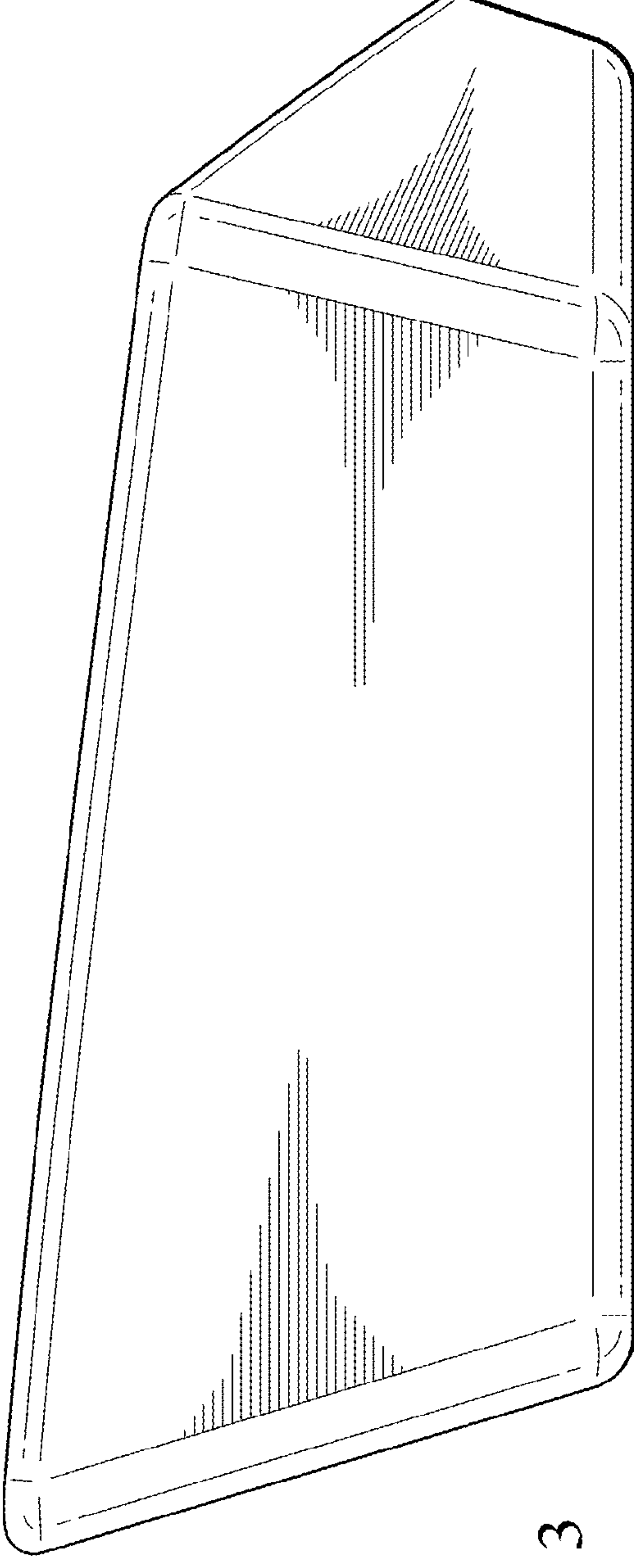


FIG. 3

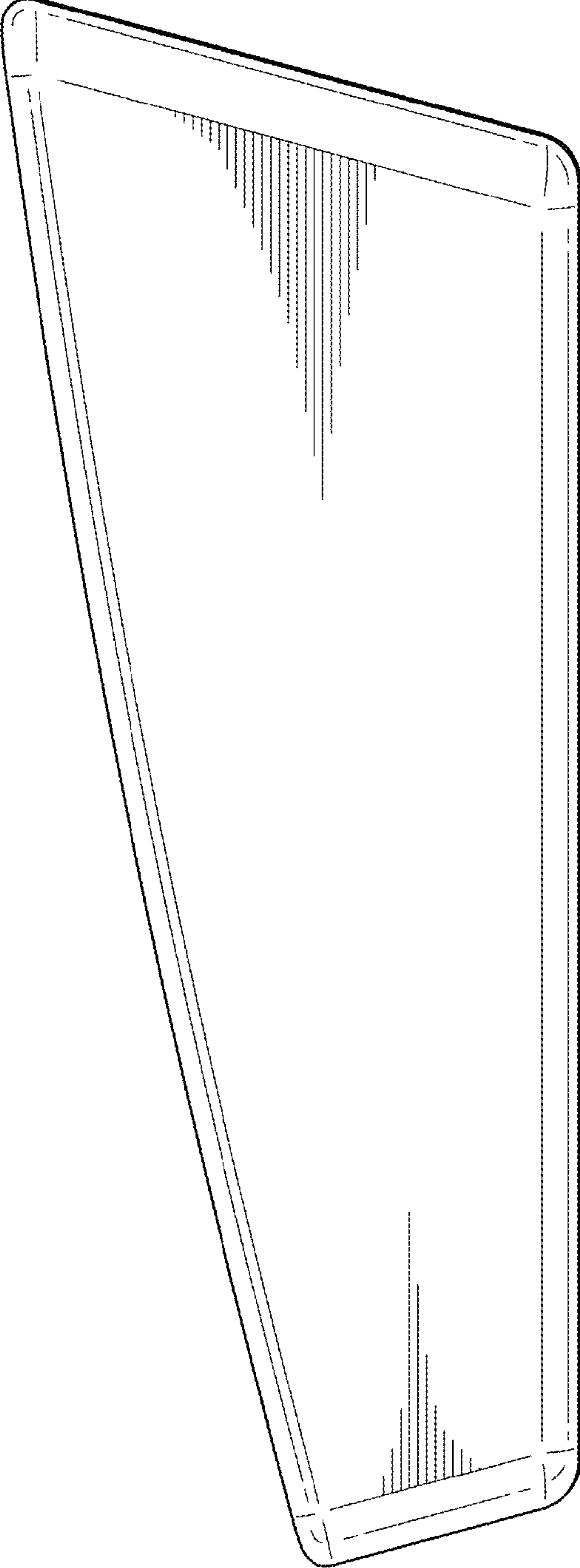


FIG. 4

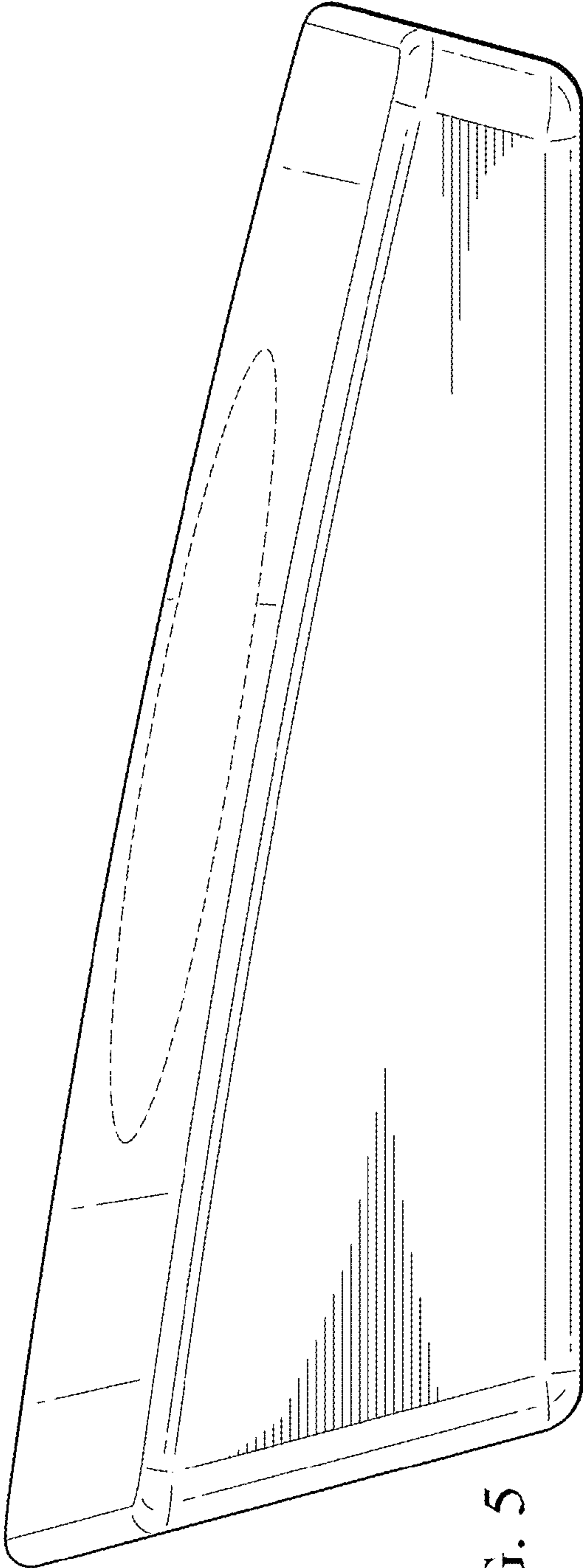


FIG. 5

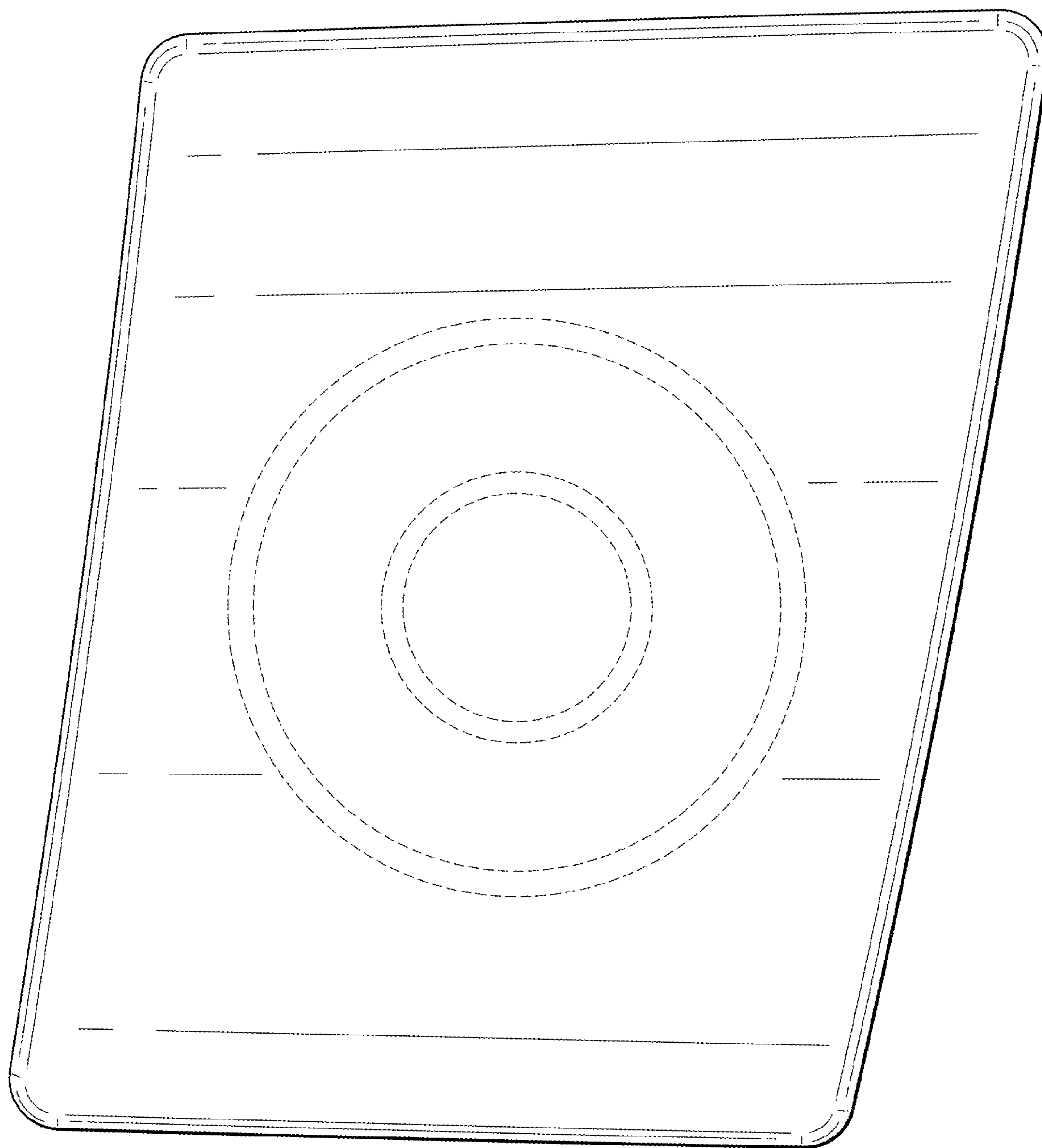


FIG. 6

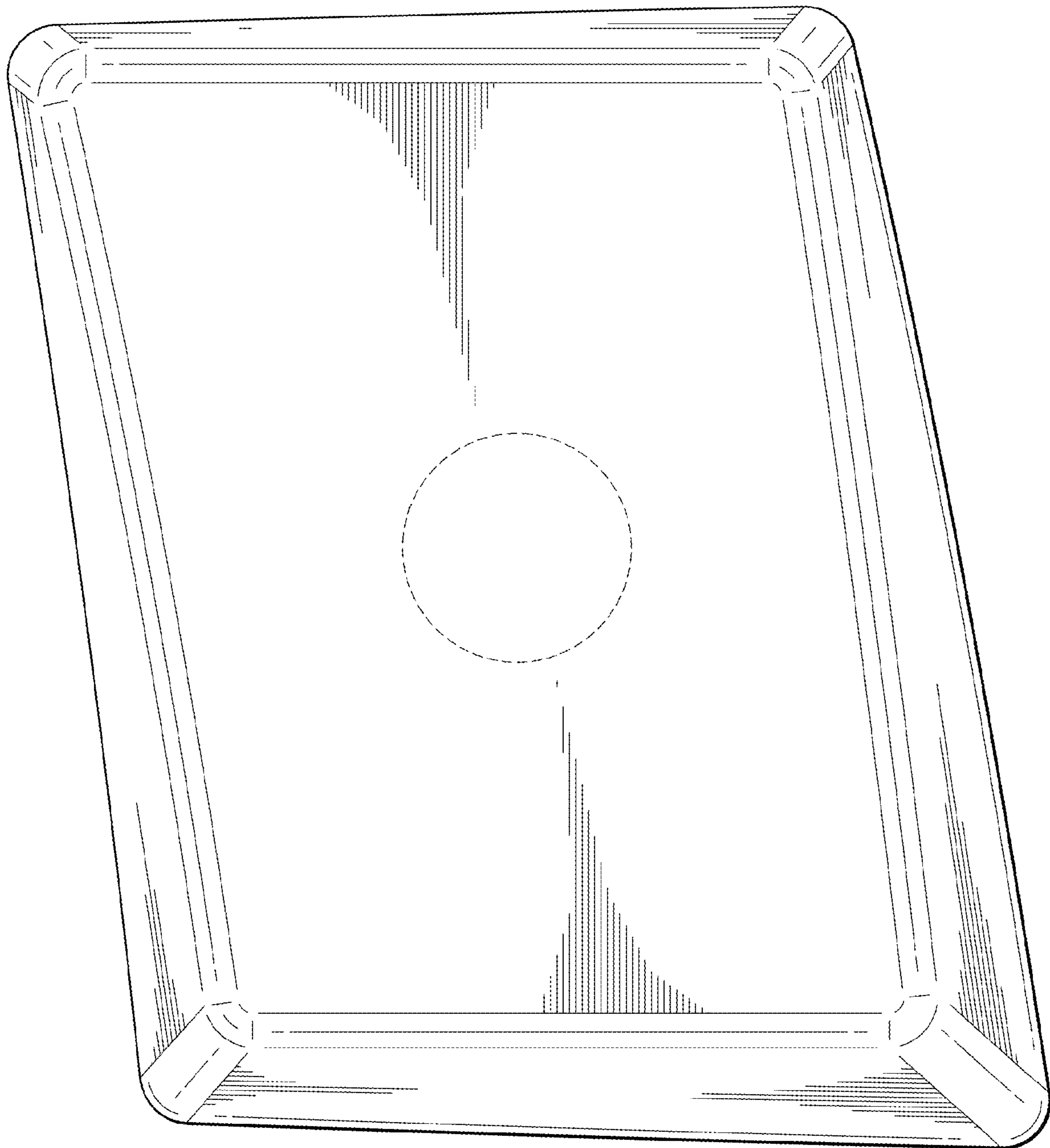


FIG. 7