



US00D963066S

(12) **United States Design Patent** (10) **Patent No.:** **US D963,066 S**
Bustle et al. (45) **Date of Patent:** **** Sep. 6, 2022**

(54) **HAND-HELD SCOOP**
(71) Applicant: **Pufferfish LLC**, Santa Cruz, CA (US)
(72) Inventors: **Benjamin S. Bustle**, Cupertino, CA (US); **Edward Stanley Ott, IV**, Sunnyvale, CA (US)
(73) Assignee: **PUFFERFISH LLC**, Santa Cruz, CA (US)
(**) Term: **15 Years**
(21) Appl. No.: **29/771,670**
(22) Filed: **Feb. 24, 2021**
(51) **LOC (13) Cl.** **21-01**
(52) **U.S. Cl.**
USPC **D21/532**; D7/692; D7/691; D8/10; D30/162
(58) **Field of Classification Search**
USPC D32/40-43, 45-52; D6/524; D8/6, 9, D8/11, 13; D21/532; D30/162; D7/691
CPC A01D 7/10; A63H 33/32; A01K 5/0114
See application file for complete search history.

D676,725 S * 2/2013 Meiller D8/10
D717,618 S * 11/2014 Masalin D8/10
D820,920 S * 6/2018 Bajuyo D21/532
2012/0240862 A1 * 9/2012 Edwards A01K 5/0114
119/51.01

FOREIGN PATENT DOCUMENTS

CN 113207707 A * 8/2021
CN 213961232 U * 8/2021
CN 214339279 U * 10/2021
IN 242592-0001 * 6/2012

OTHER PUBLICATIONS

Ice Scoop, Chick-fil-A website 2022, site visited Jun. 3, 2022, <https://www.chick-fil-a.com/catering/ice-scoop>.*

* cited by examiner

Primary Examiner — John R Yeh
(74) *Attorney, Agent, or Firm* — Merchant & Gould P.C.

(57) **CLAIM**

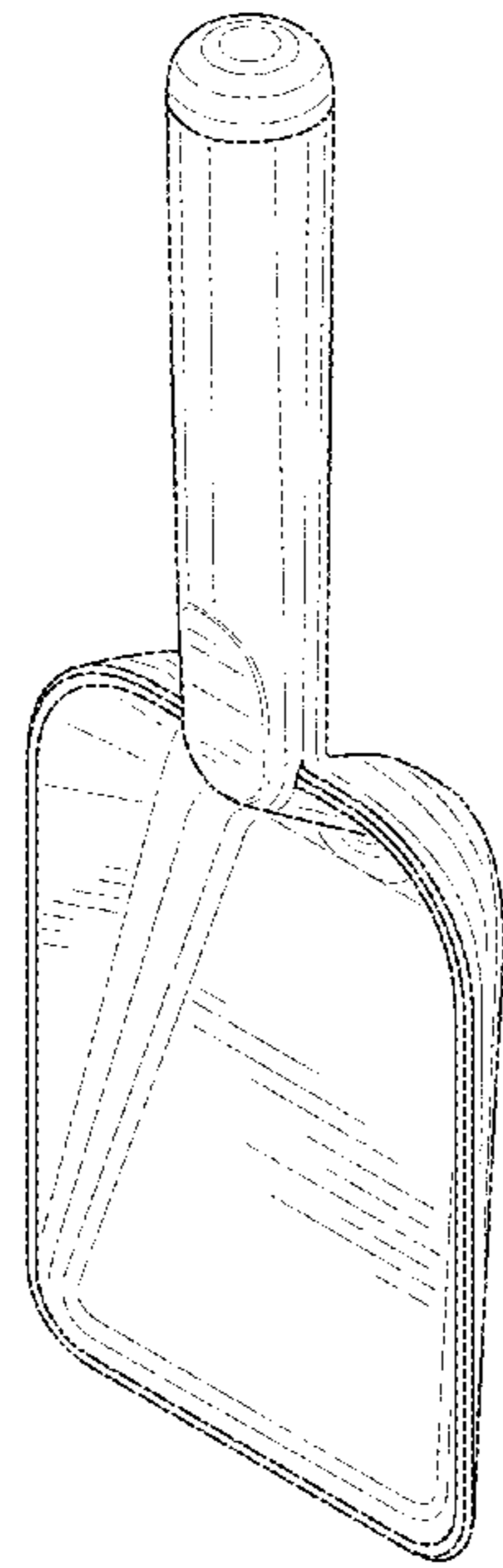
The ornamental design for a hand-held scoop, as shown.

DESCRIPTION

FIG. 1 is a top perspective view of an exemplary hand-held scoop showing the new design.
FIG. 2 is a bottom perspective view of the hand-held scoop of FIG. 1.
FIG. 3 is a front view of the hand-held scoop of FIG. 1.
FIG. 4 is a rear view of hand-held scoop of FIG. 1.
FIG. 5 is a right-side view of the hand-held scoop of FIG. 1.
FIG. 6 is a left-side view of the hand-held scoop of FIG. 1.
FIG. 7 is a top view of the hand-held scoop of FIG. 1; and, FIG. 8 is a bottom view of the hand-held scoop of FIG. 1.

1 Claim, 8 Drawing Sheets

(56) **References Cited**
U.S. PATENT DOCUMENTS
D311,308 S * 10/1990 Roman D8/4
D318,350 S * 7/1991 Muffuletto D8/10
D346,186 S * 4/1994 Kino D21/532
D347,497 S * 5/1994 VanSkiver 294/1.3
D350,166 S * 8/1994 Kino D21/532
D354,661 S * 1/1995 Linden D8/10
D381,375 S * 7/1997 Spear D21/532
D395,928 S * 7/1998 Freeland D30/162
D422,462 S * 4/2000 Rivkin D7/691
D437,532 S * 2/2001 Petruzzelli D8/10
D451,652 S * 12/2001 Lewis, II D30/162
D567,600 S * 4/2008 Matsumura D10/46.2



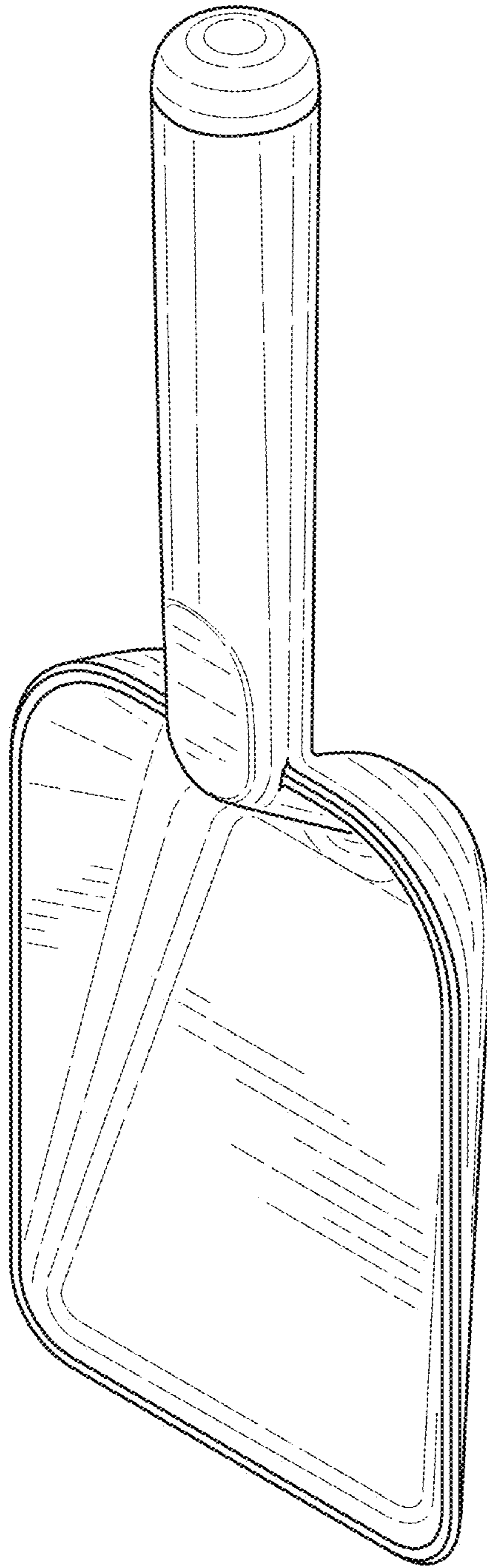


FIG.1

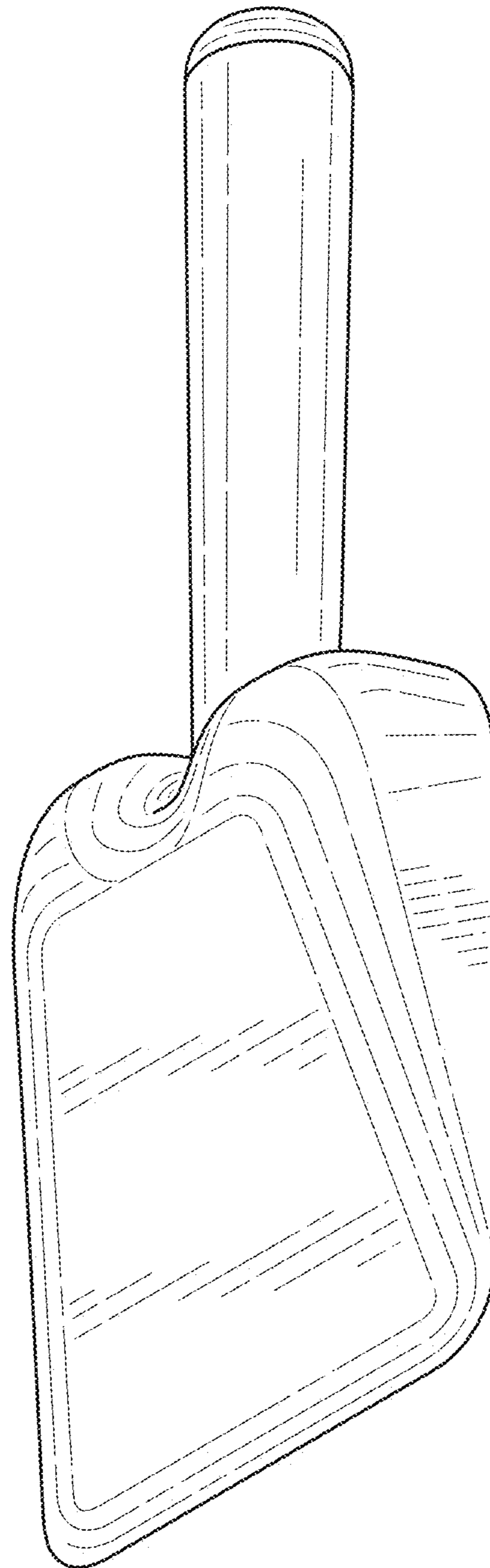


FIG.2

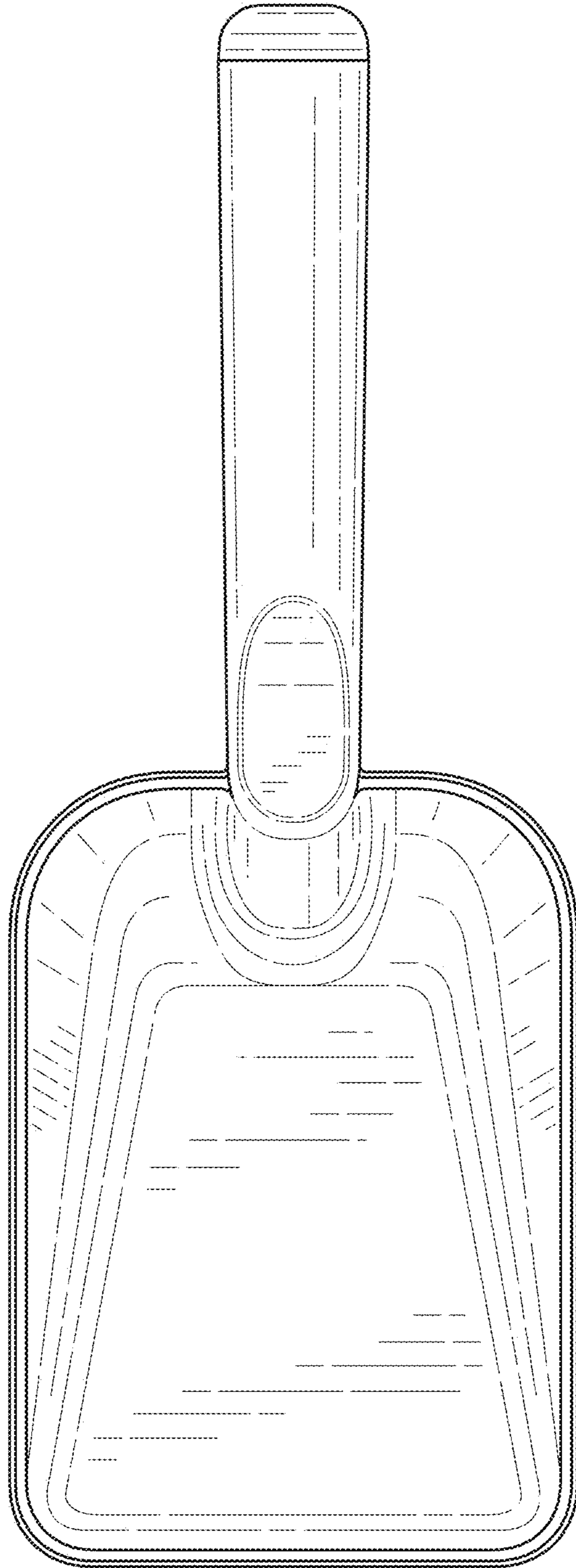


FIG.3

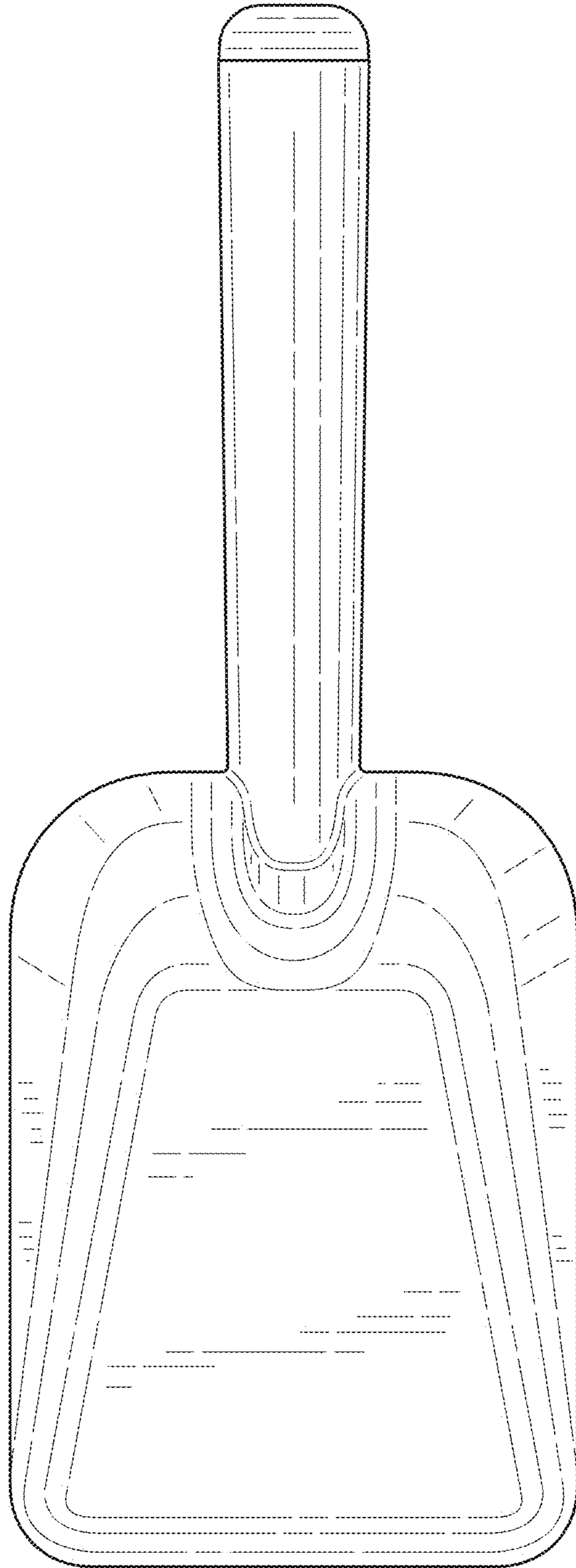


FIG.4

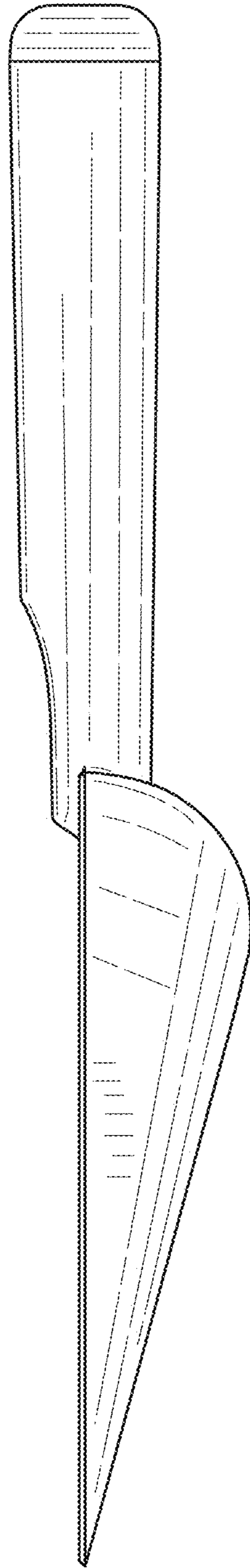


FIG.5

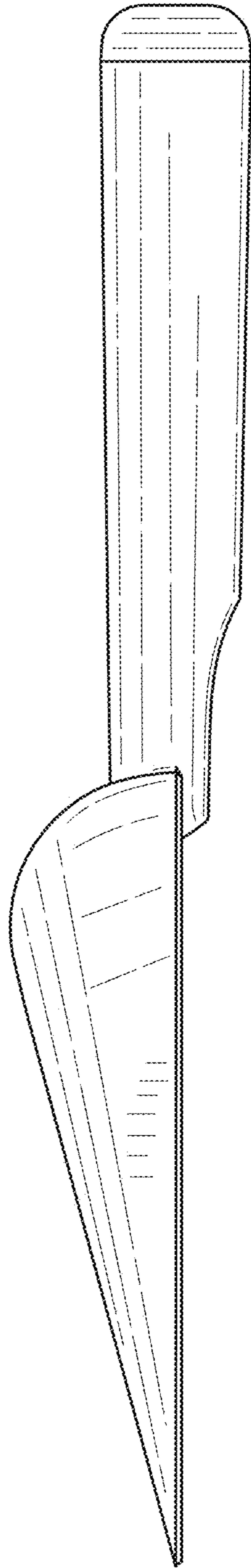


FIG.6

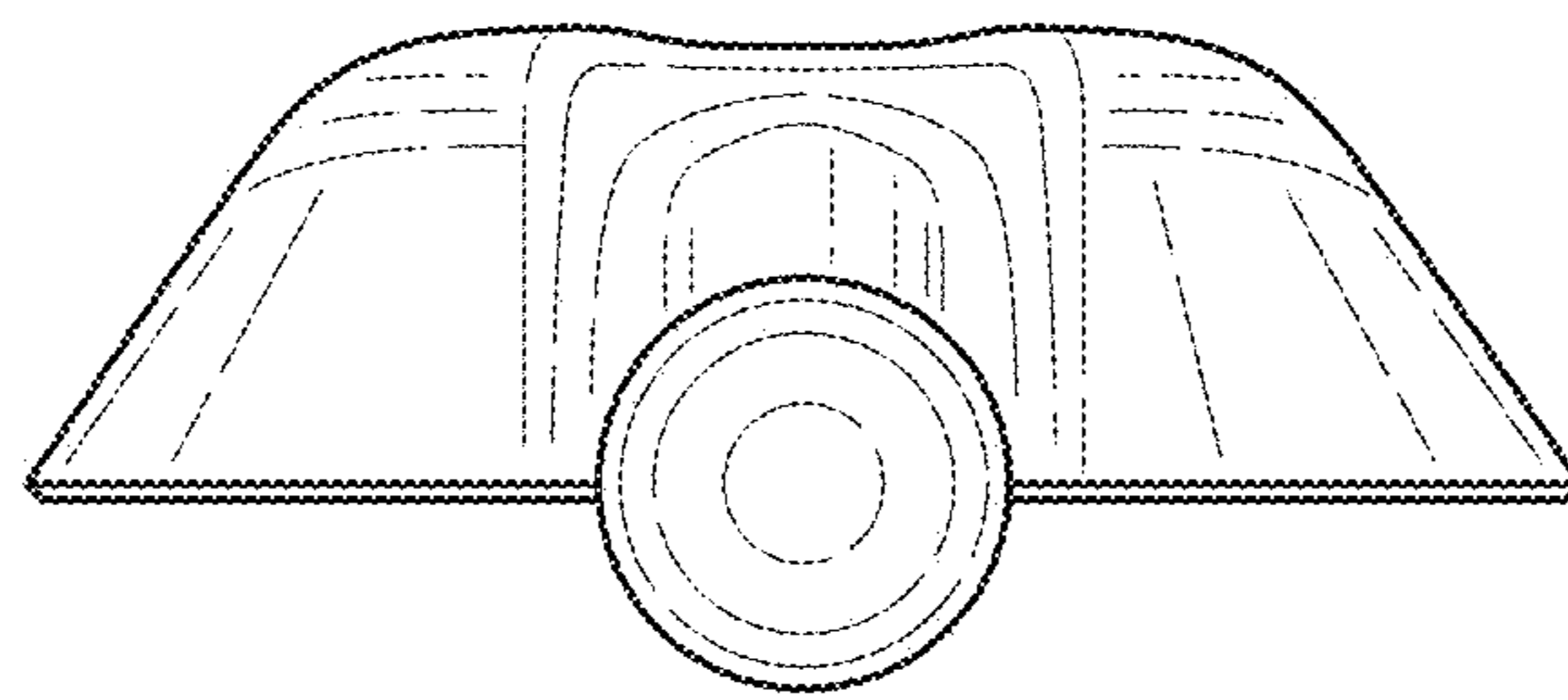


FIG.7

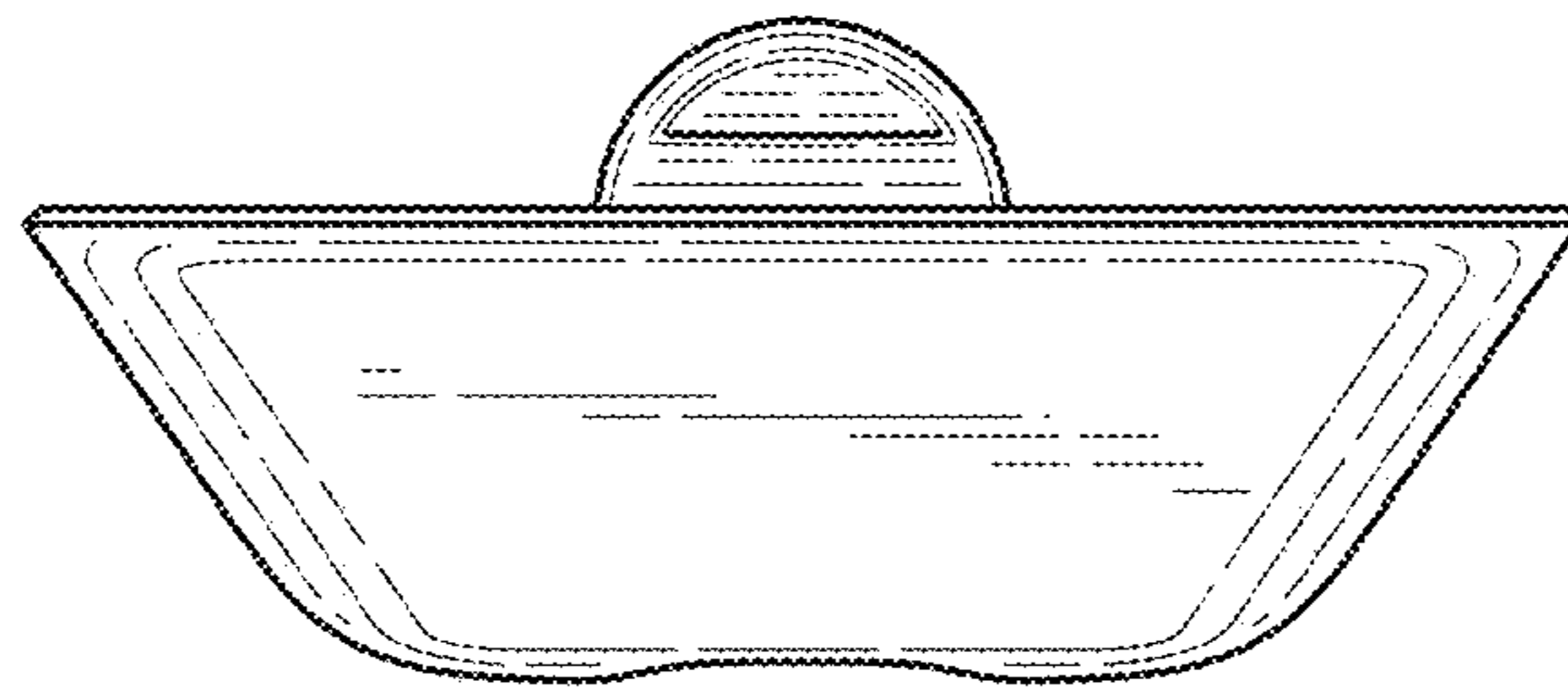


FIG.8