



US00D963065S

(12) **United States Design Patent**  
**Wood**

(10) **Patent No.:** **US D963,065 S**

(45) **Date of Patent:** **\*\* Sep. 6, 2022**

(54) **TOY BUILDING ELEMENT**

(71) Applicant: **LEGO A/S**, Billund (DK)

(72) Inventor: **Paul Marion Wood**, Vejle (DK)

(73) Assignee: **LEGO A/S**, Billund (DK)

(\*\*) Term: **15 Years**

(21) Appl. No.: **29/727,129**

(22) Filed: **Mar. 9, 2020**

(30) **Foreign Application Priority Data**

Jan. 21, 2020 (EM) ..... 007537964-0013

(51) **LOC (13) Cl.** ..... **21-01**

(52) **U.S. Cl.**  
USPC ..... **D21/500**

(58) **Field of Classification Search**

USPC ..... D21/484, 485, 489, 490, 491, 493, 494,  
D21/495, 499, 500, 501, 504

CPC ..... A63H 33/04; A63H 33/044; A63H 33/06;  
A63H 33/062; A63H 33/086; A63H  
33/088; A63H 33/10; A63H 33/101;  
A63H 33/108; A63H 33/12

See application file for complete search history.

(56) **References Cited**

**U.S. PATENT DOCUMENTS**

144,124 A	10/1873	Oberndorf, Jr.
1,337,664 A	4/1920	Lorenzen
D208,788 S	10/1967	Lohr et al.
3,900,984 A	8/1975	Garellick
3,924,348 A	12/1975	Taylor et al.
4,028,844 A	6/1977	Dideriksen et al.
D253,711 S	12/1979	Christiansen et al.
4,205,482 A	6/1980	Christiansen et al.
D263,324 S	3/1982	Orenstein
D276,830 S	12/1984	Petersson

4,509,929 A	4/1985	Zawitz
D281,440 S	11/1985	Petersson
4,819,402 A	4/1989	Schneider
4,874,342 A	10/1989	Klitsner
D305,443 S	1/1990	Klitsner
D311,938 S	11/1990	Andersen
D312,099 S	11/1990	Andersen
D315,181 S	3/1991	Meyer

(Continued)

**OTHER PUBLICATIONS**

Lego Ariel Minifigure, Year Released 2018 [online], [site visited Aug. 26, 2021]. Available from Internet: <https://www.brickowl.com/catalog/lego-ariel-minifigure-227880> (Year: 2018).

(Continued)

*Primary Examiner* — Cynthia M. Chin

(74) *Attorney, Agent, or Firm* — Fross Zelnick Lehrman & Zissu, P.C.; Charles T. J. Weigell, Esq.

(57) **CLAIM**

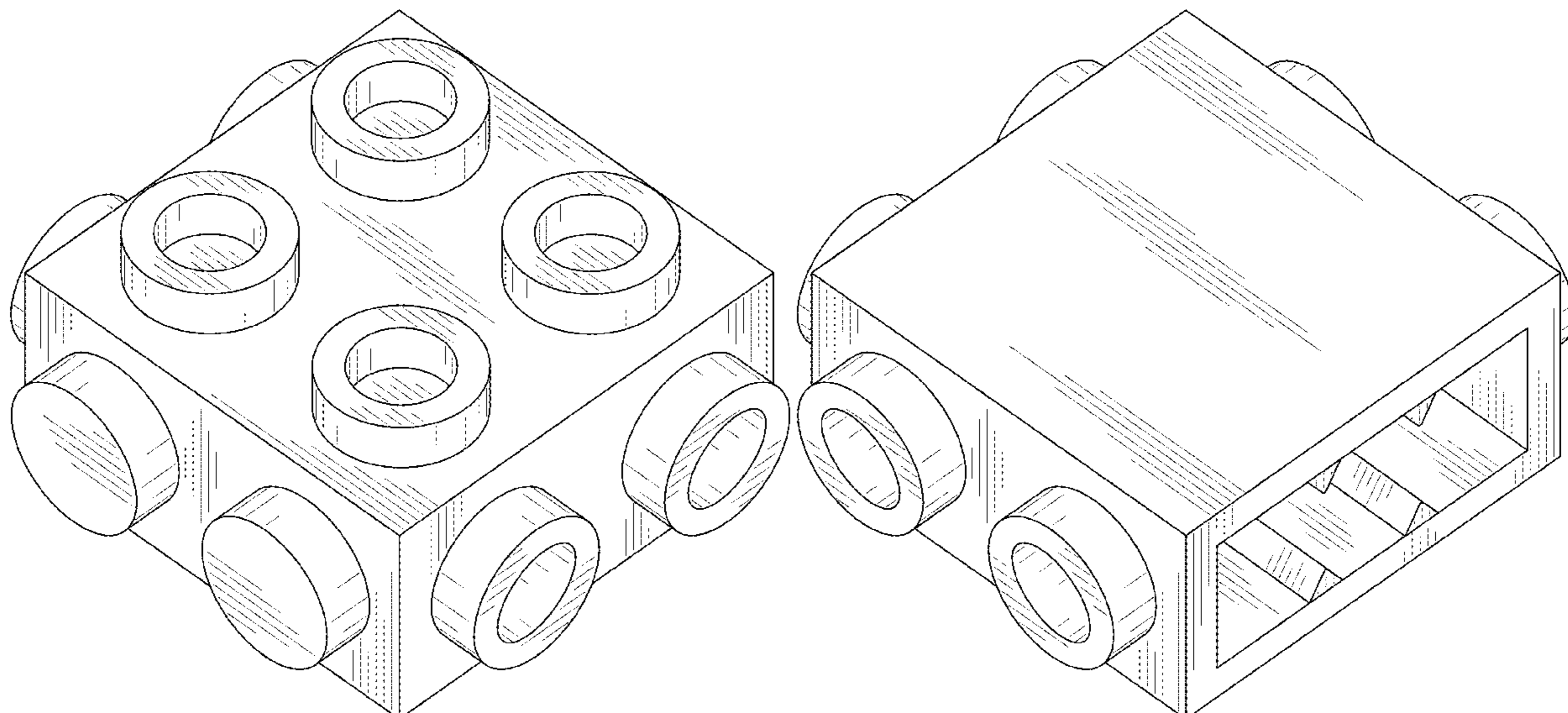
The ornamental design for a toy building element, as shown and described.

**DESCRIPTION**

FIG. 1 is a top perspective view of the toy building element; FIG. 2 is a bottom perspective view thereof; FIG. 3 is a top plan view thereof; FIG. 4 is a bottom plan view thereof; FIG. 5 is a left side elevational view thereof; FIG. 6 is a rear elevational view thereof; FIG. 7 is a front elevational view thereof; and, FIG. 8 is a right side elevational view thereof.

The broken lines in the drawings are for the purposes of illustrating portions of the article that form no part of the claimed design. The dash-dot broken lines represent the bounds of the claim which form no part of the claimed design.

**1 Claim, 8 Drawing Sheets**



(56)

References Cited

U.S. PATENT DOCUMENTS

D315,376 S 3/1991 Meyer  
 5,007,876 A 4/1991 Klitsner  
 D324,169 S 2/1992 Hebert, Sr.  
 5,110,315 A 5/1992 Zawitz  
 D334,416 S 3/1993 Zawitz  
 5,312,285 A 5/1994 Rieber et al.  
 D354,527 S 1/1995 Ryaa et al.  
 D373,152 S 8/1996 Thomasen  
 D373,153 S 8/1996 Madsen  
 5,545,070 A 8/1996 Liu  
 D394,467 S 5/1998 Nielsen  
 D394,681 S 5/1998 Pagel  
 D397,168 S 8/1998 Poissant  
 D397,742 S 9/1998 Jensen  
 5,871,384 A \* 2/1999 Kichijo ..... A63H 33/08  
 446/112  
 D410,040 S 5/1999 Poulsen  
 D410,706 S 6/1999 Toft  
 5,919,072 A 7/1999 Pohlman  
 D422,034 S 3/2000 Yamazaki  
 D422,652 S 4/2000 Watanabe  
 6,231,345 B1 5/2001 Yamazaki et al.  
 6,273,778 B1 8/2001 Kyster  
 D457,198 S 5/2002 Yamazaki  
 D512,748 S 12/2005 Hageman  
 7,371,147 B2 5/2008 Tusacciu  
 D583,880 S 12/2008 Slater et al.  
 7,553,209 B1 6/2009 Sorensen  
 D597,150 S 7/2009 Oikawa et al.  
 D615,135 S 5/2010 Thorsen  
 D641,055 S 7/2011 Andersen  
 D672,410 S 12/2012 Dubreuil et al.  
 D672,411 S 12/2012 Dubreuil et al.  
 D678,432 S 3/2013 Dubreuil et al.  
 D682,367 S 5/2013 Pilgaard et al.  
 D689,567 S 9/2013 Pilgaard et al.  
 D689,957 S 9/2013 Jensen  
 D702,774 S \* 4/2014 Wizenberg ..... D21/499  
 D718,823 S 12/2014 Cunningham  
 D731,595 S 6/2015 Jensen  
 D731,596 S 6/2015 Jensen  
 D739,477 S 9/2015 Simonds et al.  
 9,186,591 B2 11/2015 Nielsen  
 D749,175 S 2/2016 Vaughey  
 D753,242 S 4/2016 Jaensch  
 D760,328 S 6/2016 Croston et al.  
 D760,329 S 6/2016 Croston et al.  
 9,393,501 B2 7/2016 Sze  
 D762,787 S 8/2016 Barbiani et al.  
 D794,139 S 8/2017 Barbiani et al.  
 D799,607 S 10/2017 Pouliot et al.  
 D799,608 S 10/2017 Pouliot et al.  
 D799,609 S \* 10/2017 Sprague ..... D21/500  
 D808,471 S 1/2018 Gutierrez et al.  
 D821,504 S 6/2018 Bilezikian et al.  
 D833,541 S \* 11/2018 Barwald ..... D21/491  
 D845,403 S 4/2019 Davies

D846,041 S 4/2019 Barbiani  
 D848,542 S 5/2019 Pestel  
 10,335,700 B2 7/2019 Wong  
 D894,292 S 8/2020 Park et al.  
 D910,784 S 2/2021 Wang  
 D916,210 S 4/2021 Lin  
 D918,313 S 5/2021 Wang  
 2006/0014468 A1 1/2006 Zawitz  
 2006/0154556 A1 7/2006 Tong  
 2007/0026759 A1 2/2007 Flodin et al.  
 2007/0123137 A1 5/2007 Marzetta  
 2009/0047863 A1 \* 2/2009 Capriola ..... A63H 33/042  
 446/91  
 2009/0197500 A1 8/2009 Song et al.  
 2012/0015583 A1 \* 1/2012 Chen ..... A63H 33/086  
 446/124  
 2012/0071061 A1 3/2012 Smith et al.  
 2012/0210546 A1 8/2012 Jang et al.  
 2013/0072082 A1 \* 3/2013 Wizenberg ..... A63H 33/086  
 446/85  
 2013/0330999 A1 \* 12/2013 Ryaa ..... A63H 33/086  
 446/124  
 2014/0051321 A1 2/2014 Kelly et al.  
 2014/0227936 A1 8/2014 Botterill et al.  
 2015/0104992 A1 4/2015 Jung  
 2015/0231488 A1 8/2015 Hedeem, Jr. et al.  
 2016/0317940 A1 11/2016 Jensen  
 2016/0332088 A1 \* 11/2016 Rakhsha ..... A63H 33/04  
 2018/0161686 A1 6/2018 De Grasse  
 2018/0214786 A1 8/2018 Crouse et al.  
 2018/0229144 A1 8/2018 Rosen et al.  
 2019/0030445 A1 1/2019 Luo  
 2019/0160390 A1 5/2019 Croston et al.  
 2019/0358557 A1 \* 11/2019 Semling ..... A63H 33/086  
 2021/0197096 A1 \* 7/2021 Donaldson ..... A63H 33/086

OTHER PUBLICATIONS

Lego Blue Duplo Curved Elbow Pipe (31195) 1998-2016 [online], [site visited Aug. 27, 2021]. Available from the Internet: <https://www.brickowl.com/catalog/lego-blue-duplo-curved-elbow-pipe-31195> (Year: 1998).  
 Lego Duplo Tube Straight (31452)2002-2020 [online], [site visited Aug. 27, 2021]. Available from the Internet: <https://www.brickowl.com/catalog/lego-duplo-tube-straight-31452> (Year: 2002).  
 Lego Large Steering Wheel (2741) Available 1988-2020 [site visited Aug. 26, 2021]. Available from Internet: <https://www.brickowl.com/catalog/lego-large-steering-wheel-2741> (Year: 1988).  
 Lego Rapunzel Minifigure, Year Released 2018 [online], [site visited Oct. 22, 2021]. Available from Internet: <https://www.brickowl.com/catalog/lego-rapunzel-minifigure-246321> (Year: 2018).  
 Lego Small Steering Wheel (2819), Available 1993-2020 [online], [site visited Aug. 26, 2021]. Available from Internet: <https://www.brickowl.com/catalog/lego-small-steering-wheel-2819> (Year: 1993).  
 Lego Tractor Chassis Steering Wheel Available 1972-1975 [site visited Aug. 26, 2021]. Available from Internet: <https://www.brickowl.com/catalog/lego-tractor-chassis-steering-wheel> (Year: 1972).

\* cited by examiner



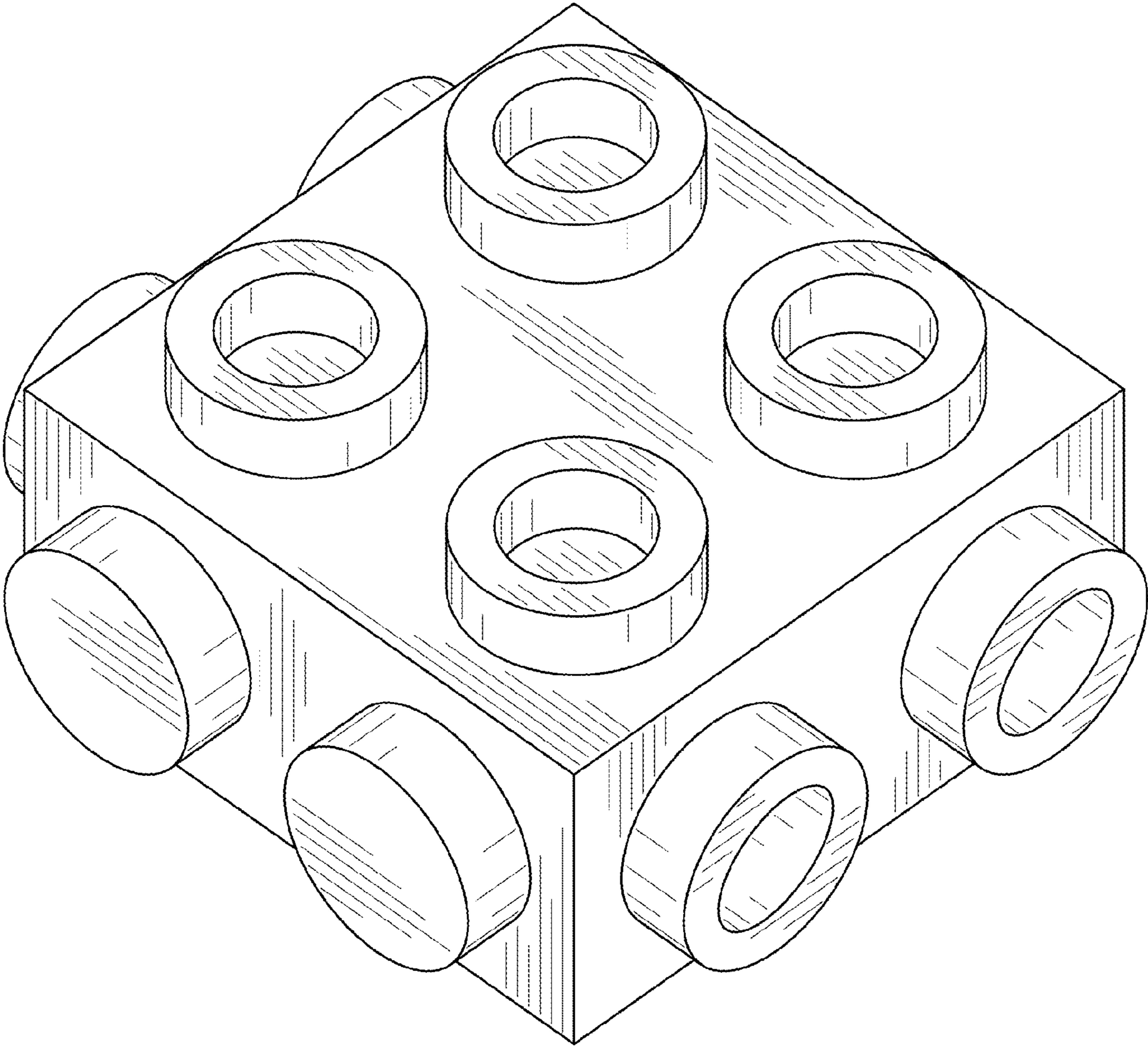


FIG. 1

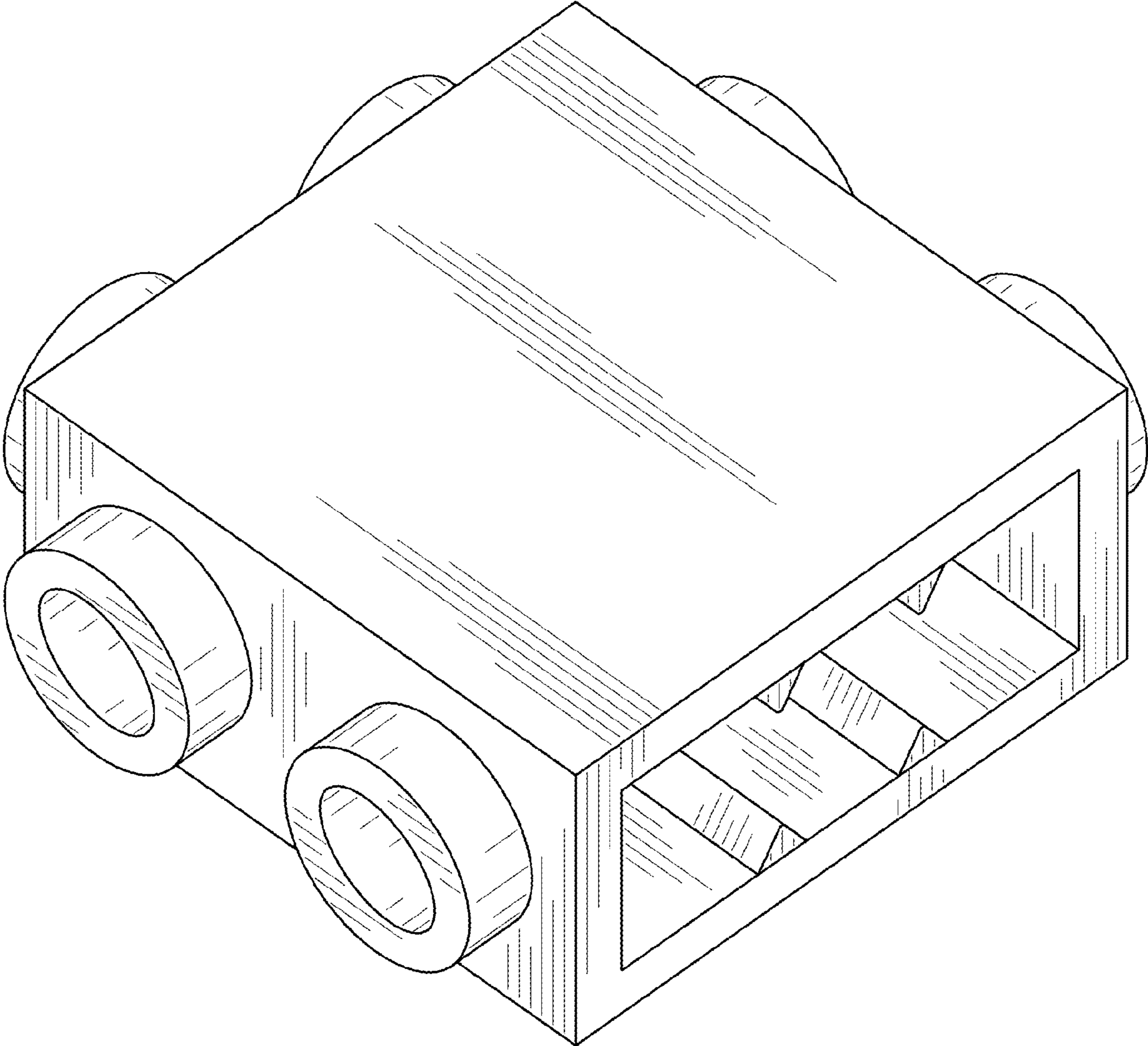


FIG. 2

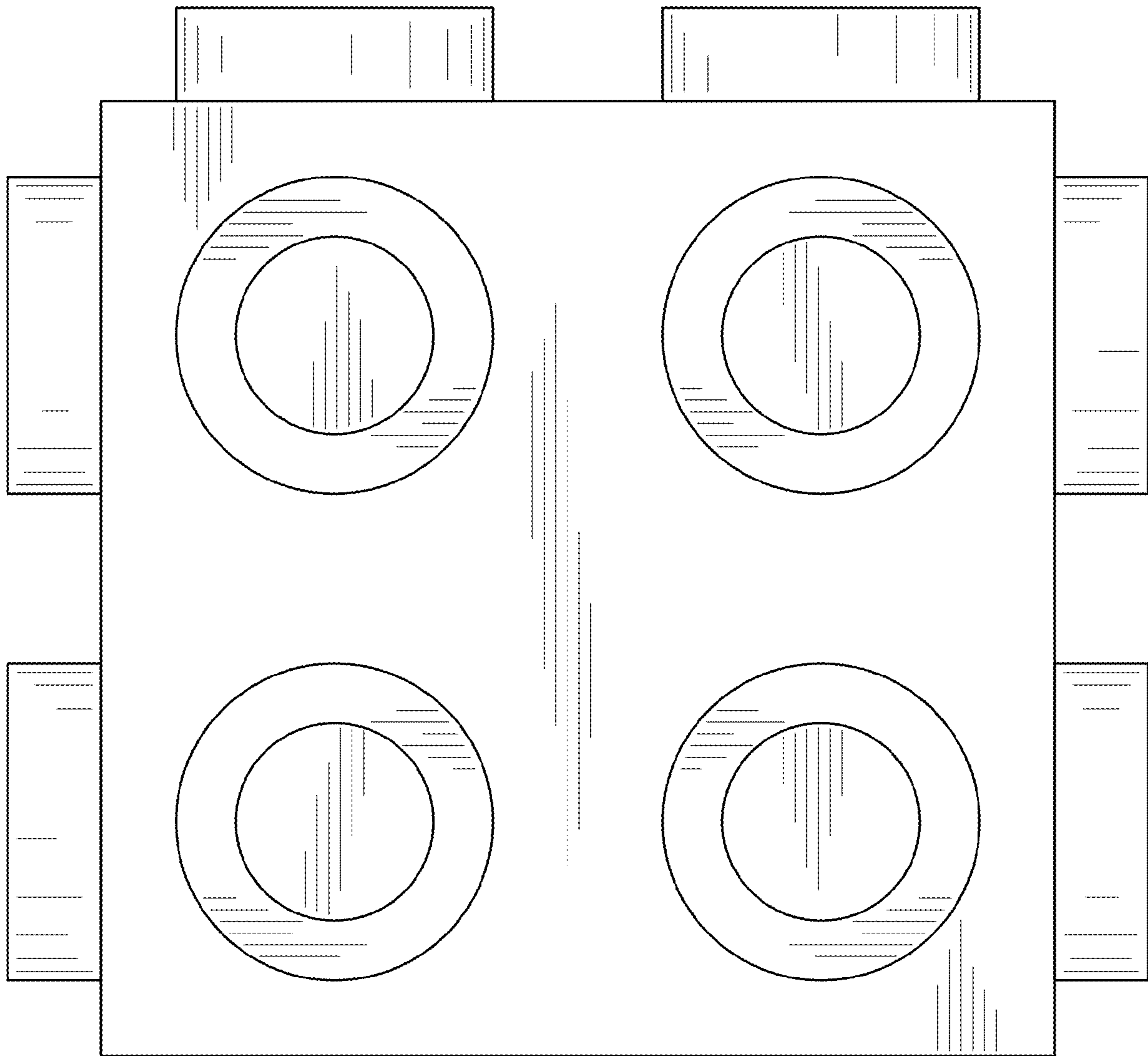


FIG. 3

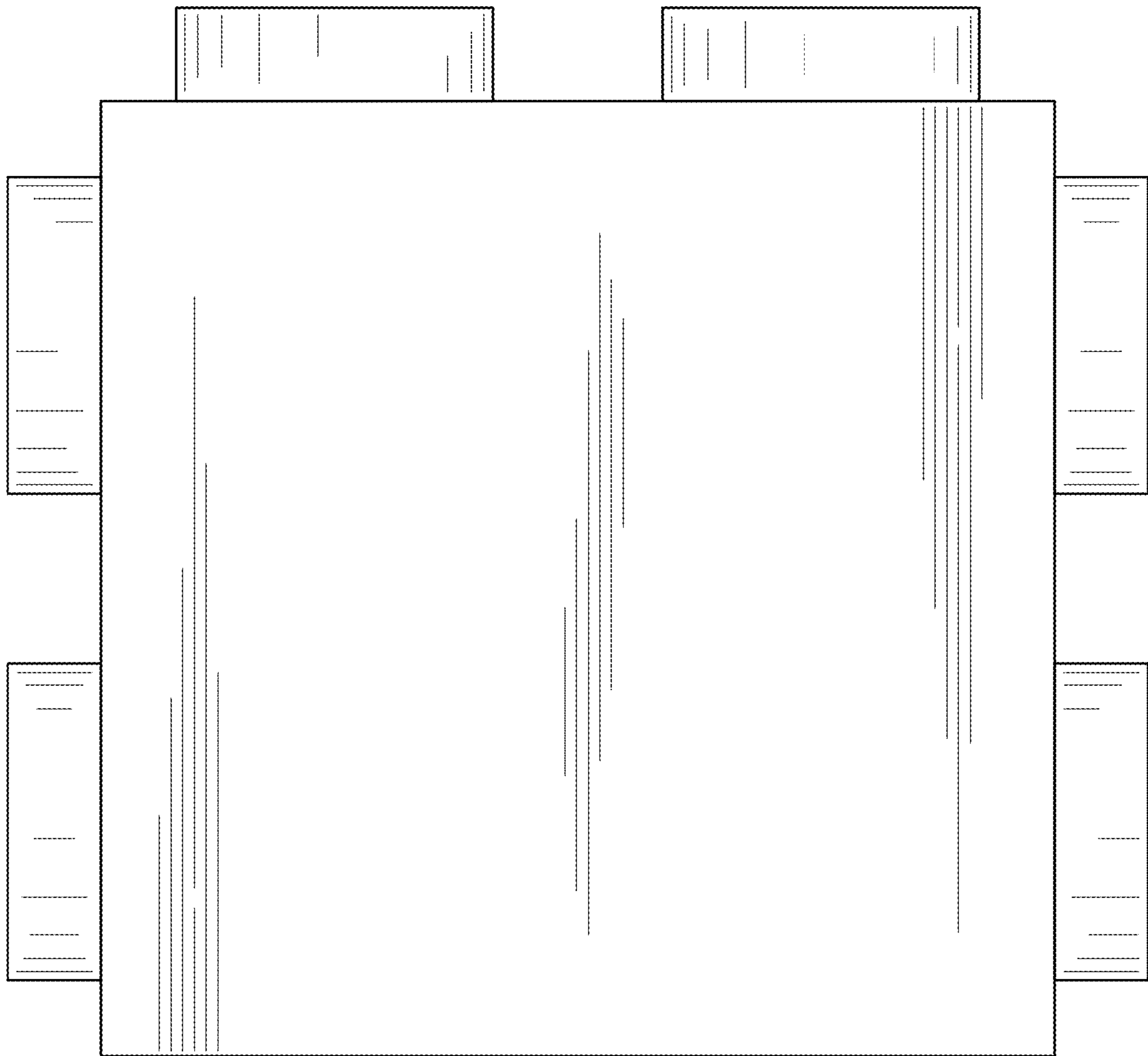


FIG. 4

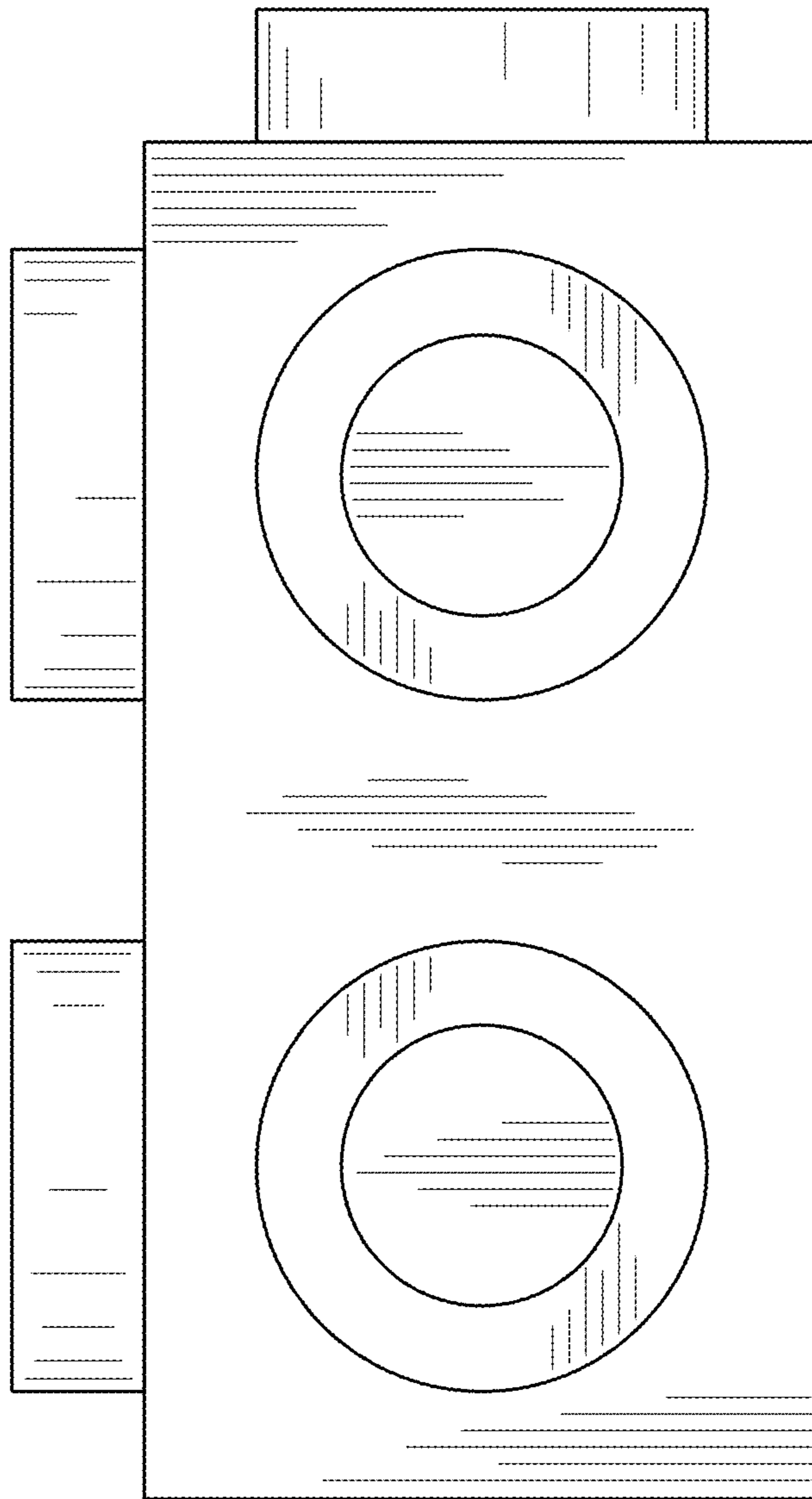


FIG. 5

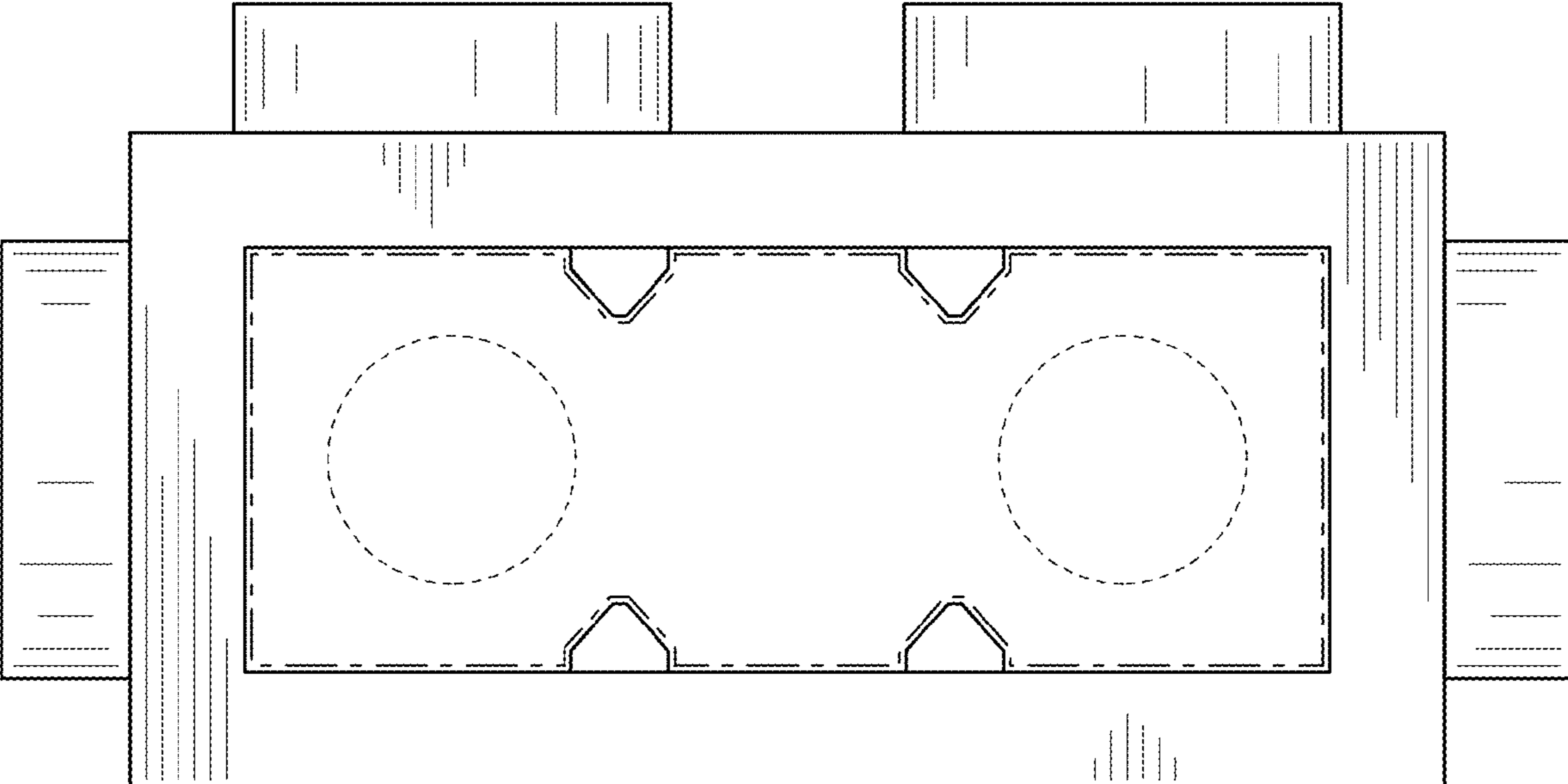


FIG. 6



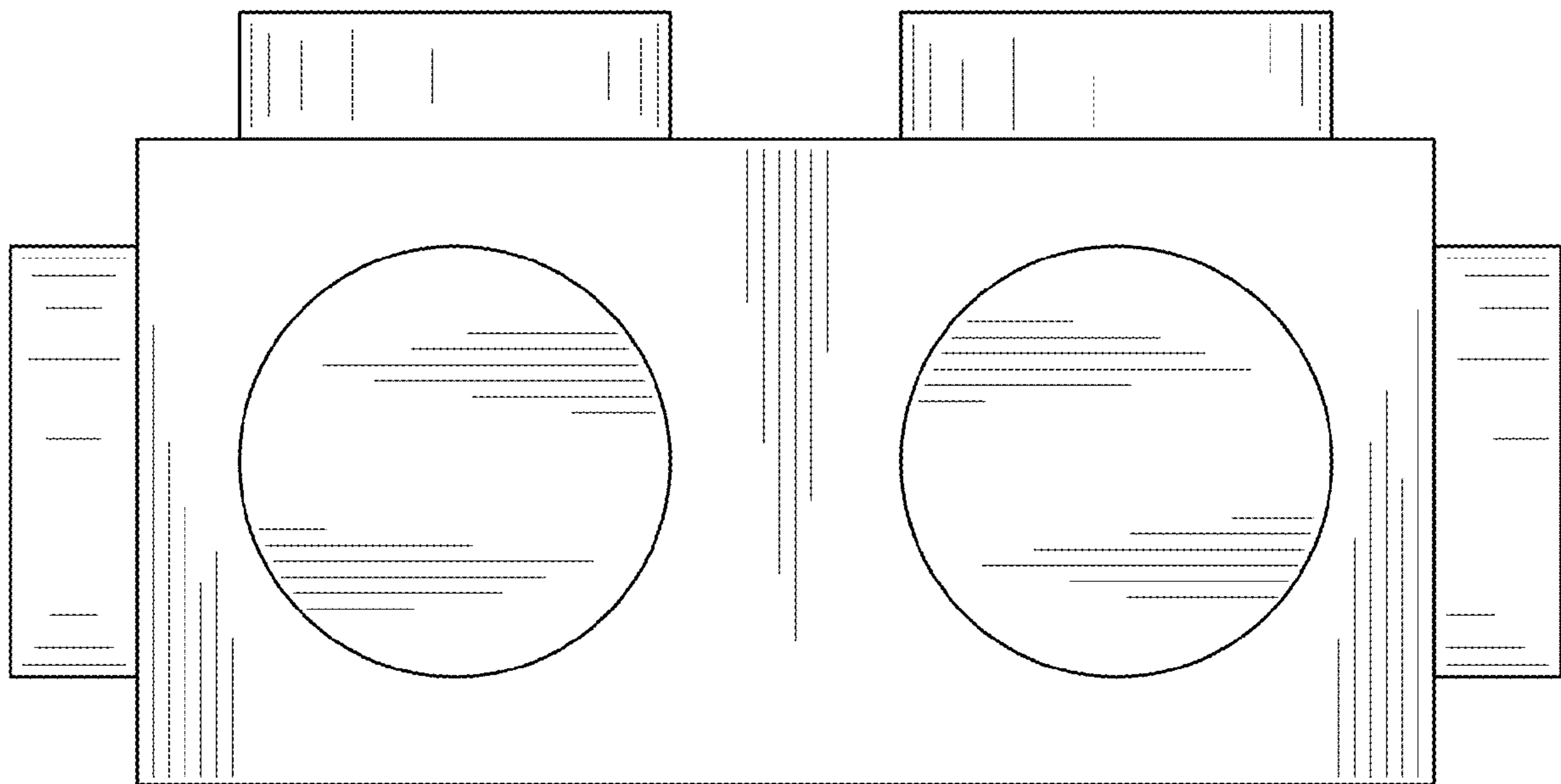


FIG. 7

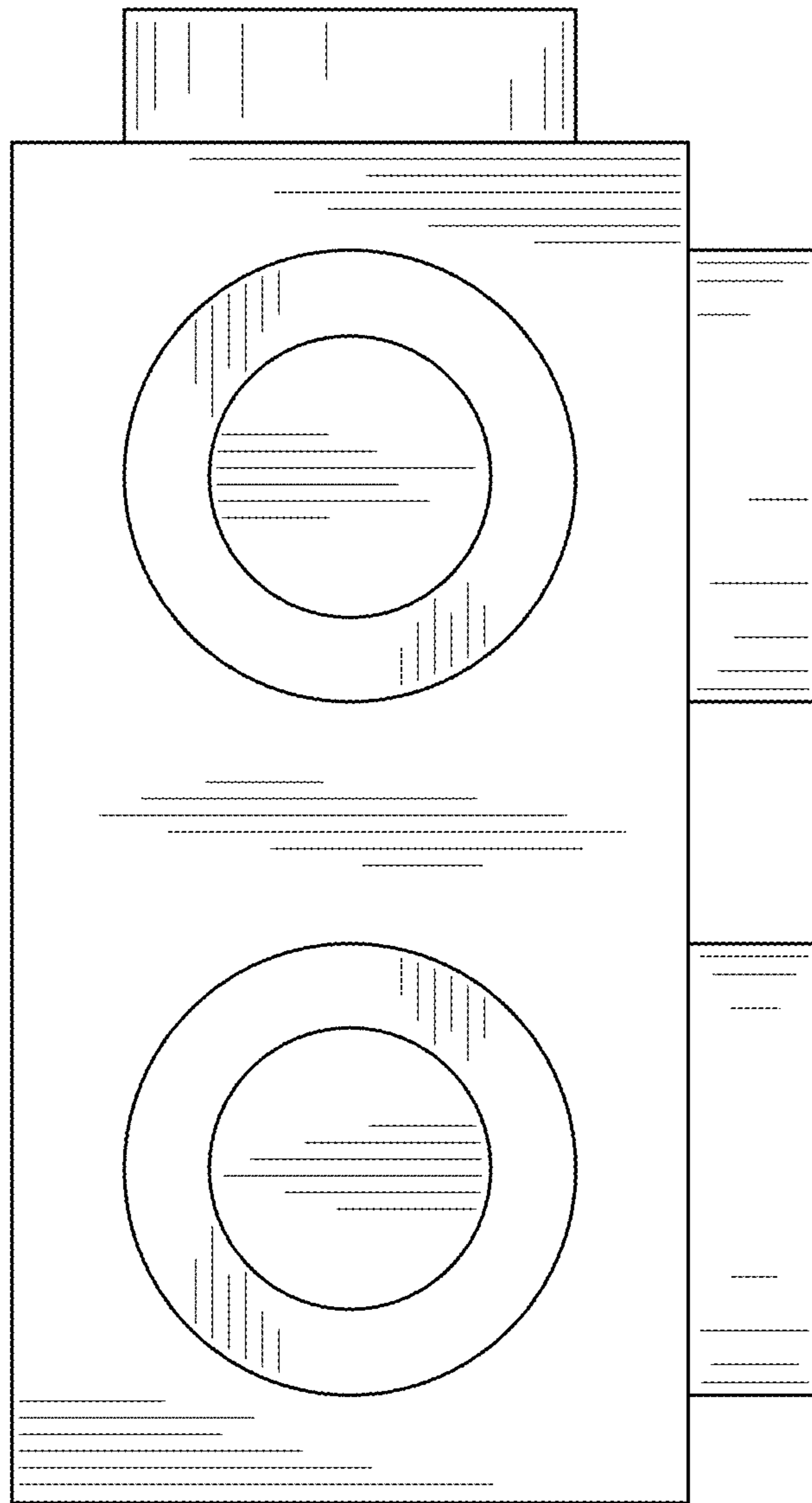


FIG. 8