



US00D963059S

(12) **United States Design Patent** (10) **Patent No.:** **US D963,059 S**
Sudarsono (45) **Date of Patent:** **** Sep. 6, 2022**

(54) **TOY BUILDING ELEMENT**
(71) Applicant: **LEGO A/S**, Billund (DK)
(72) Inventor: **Daniel Sri Sudarsono**, Billund (DK)
(73) Assignee: **LEGO A/S**, Billund (DK)
(**) Term: **15 Years**
(21) Appl. No.: **29/727,149**

D281,440 S * 11/1985 Petersson D21/487
4,819,402 A 4/1989 Schneider
4,874,342 A 10/1989 Klitsner
D305,443 S 1/1990 Klitsner
D311,938 S 11/1990 Andersen
D312,099 S 11/1990 Andersen
D315,181 S * 3/1991 Meyer D21/487
D315,376 S 3/1991 Meyer
5,007,876 A 4/1991 Klitsner
D324,169 S 2/1992 Hebert, Sr.
5,110,315 A 5/1992 Zawitz
(Continued)

(22) Filed: **Mar. 9, 2020**

OTHER PUBLICATIONS

(30) **Foreign Application Priority Data**

LEGO Ariel Minifigure, Year Released 2018 [online], [site visited Aug. 26, 2021]. Available from Internet: <https://www.brickowl.com/catalog/lego-ariel-minifigure-227880> (Year: 2018).

Jan. 21, 2020 (EM) 007537964-0017

(Continued)

(51) **LOC (13) Cl.** **21-01**

(52) **U.S. Cl.**
USPC **D21/487**

(58) **Field of Classification Search**
USPC D21/484-505
CPC A63H 33/04; A63H 33/044; A63H 33/062;
A63H 33/06; A63H 33/065; A63H 33/08;
A63H 33/088; A63H 33/10; A63H
33/101; A63H 33/102; A63H 33/108
See application file for complete search history.

Primary Examiner — Cynthia M. Chin
(74) *Attorney, Agent, or Firm* — Fross Zelnick Lehrman & Zissu, P.C.; Charles T. J. Weigell, Esq.

(57) **CLAIM**

The ornamental design for a toy building element, as shown and described.

DESCRIPTION

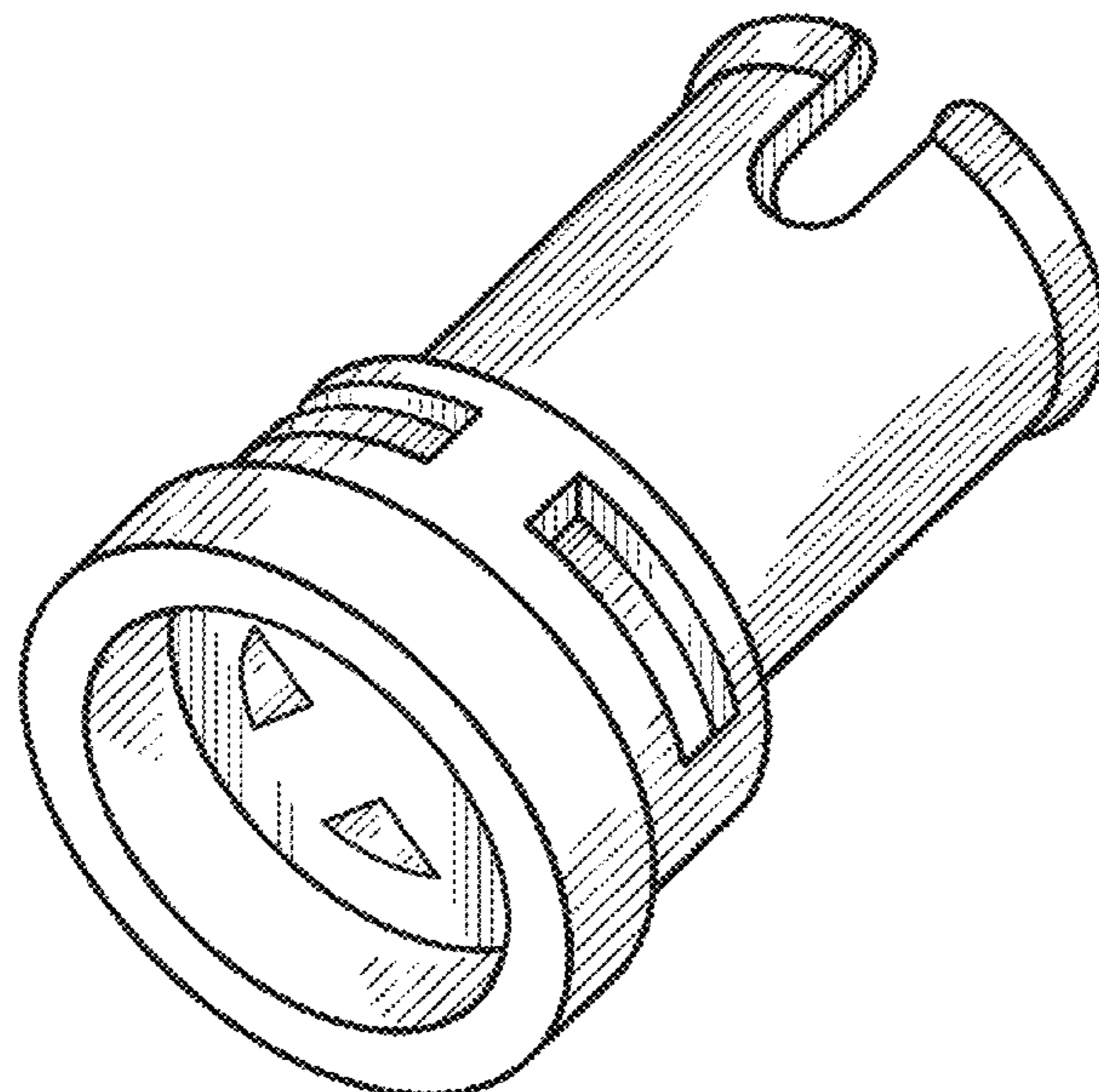
(56) **References Cited**

U.S. PATENT DOCUMENTS

144,124 A 10/1873 Oberndorf, Jr.
1,337,664 A 4/1920 Lorenzen
D208,788 S 10/1967 Lohr et al.
3,900,984 A 8/1975 Garelick
3,924,348 A 12/1975 Taylor et al.
4,028,844 A 6/1977 Dideriksen et al.
D253,711 S 12/1979 Christiansen et al.
4,205,482 A 6/1980 Christiansen et al.
D263,324 S 3/1982 Orenstein
D276,830 S * 12/1984 Petersson D21/487
4,509,929 A 4/1985 Zawitz

FIG. 1 is a front perspective view of the toy building element;
FIG. 2 is a top plan view thereof;
FIG. 3 is a bottom plan view thereof;
FIG. 4 is a front elevational view thereof;
FIG. 5 is a rear elevational view thereof;
FIG. 6 is a left side elevational view thereof; and,
FIG. 7 is a right side elevational view thereof.
The broken lines are for the purpose of illustrating portions of the article that form no part of the claimed design.

1 Claim, 7 Drawing Sheets



(56)

References Cited

U.S. PATENT DOCUMENTS

D334,416 S 3/1993 Zawitz
 5,312,285 A 5/1994 Rieber et al.
 D354,527 S 1/1995 Ryaa et al.
 D373,152 S 8/1996 Thomasen
 D373,153 S * 8/1996 Madsen D21/487
 5,545,070 A 8/1996 Liu
 D394,467 S 5/1998 Nielsen
 D394,681 S * 5/1998 Pagel D21/495
 D397,168 S * 8/1998 Poissant D21/484
 D397,742 S 9/1998 Jensen
 5,871,384 A 2/1999 Kichijo
 D410,040 S 5/1999 Poulsen
 D410,706 S 6/1999 Toft
 5,919,072 A 7/1999 Pohlman
 D422,034 S 3/2000 Yamazaki
 D422,652 S 4/2000 Watanabe
 6,231,345 B1 5/2001 Yamazaki et al.
 6,273,778 B1 8/2001 Kyster
 D457,198 S 5/2002 Yamazaki
 D512,748 S 12/2005 Hageman
 7,371,147 B2 5/2008 Tusacciu
 D583,880 S * 12/2008 Slater D21/487
 7,553,209 B1 6/2009 Sorensen
 D597,150 S 7/2009 Oikawa et al.
 D615,135 S * 5/2010 Thorsen D21/487
 D641,055 S 7/2011 Andersen
 D672,410 S 12/2012 Dubreuil et al.
 D672,411 S 12/2012 Dubreuil et al.
 D678,432 S 3/2013 Dubreuil et al.
 D682,367 S 5/2013 Pilgaard et al.
 D689,567 S 9/2013 Pilgaard et al.
 D689,957 S 9/2013 Jensen
 D702,774 S 4/2014 Wizenberg et al.
 D718,823 S 12/2014 Cunningham
 D731,595 S 6/2015 Jensen
 D731,596 S 6/2015 Jensen
 D739,477 S * 9/2015 Simonds D21/487
 9,186,591 B2 11/2015 Nielsen
 D749,175 S 2/2016 Vaughey
 D753,242 S 4/2016 Jaensch
 D760,328 S 6/2016 Croston et al.
 D760,329 S 6/2016 Croston et al.
 9,393,501 B2 7/2016 Sze
 D762,787 S 8/2016 Barbiani et al.
 D794,139 S 8/2017 Barbiani et al.
 D799,607 S 10/2017 Pouliot et al.
 D799,608 S 10/2017 Pouliot et al.
 D799,609 S 10/2017 Sprague
 D808,471 S 1/2018 Gutierrez et al.
 D821,504 S 6/2018 Bilezikian et al.
 D833,541 S 11/2018 Barwald et al.
 D845,403 S 4/2019 Davies
 D846,041 S 4/2019 Barbiani

D848,542 S 5/2019 Pestel
 10,335,700 B2 7/2019 Wong
 D894,292 S 8/2020 Park et al.
 D910,784 S 2/2021 Wang
 D916,210 S 4/2021 Lin
 D918,313 S 5/2021 Wang
 2006/0014468 A1 1/2006 Zawitz
 2006/0154556 A1 7/2006 Tong
 2007/0026759 A1 2/2007 Flodin et al.
 2007/0123137 A1 5/2007 Marzetta
 2009/0047863 A1 2/2009 Capriola
 2009/0197500 A1 8/2009 Song et al.
 2012/0015583 A1 1/2012 Chen
 2012/0071061 A1 3/2012 Smith et al.
 2012/0210546 A1 * 8/2012 Jang A63H 33/101
 24/615
 2013/0072082 A1 3/2013 Wizenberg et al.
 2013/0330999 A1 12/2013 Ryaa
 2014/0051321 A1 2/2014 Kelly et al.
 2014/0227936 A1 8/2014 Botterill et al.
 2015/0104992 A1 4/2015 Jung
 2015/0231488 A1 8/2015 Hedeem, Jr. et al.
 2016/0317940 A1 11/2016 Jensen
 2016/0332088 A1 11/2016 Rakhsha
 2018/0161686 A1 6/2018 De Grasse
 2018/0214786 A1 * 8/2018 Crouse A63H 33/108
 2018/0229144 A1 8/2018 Rosen et al.
 2019/0030445 A1 1/2019 Luo
 2019/0160390 A1 5/2019 Croston et al.
 2019/0358557 A1 11/2019 Semling
 2021/0197096 A1 7/2021 Donaldson et al.

OTHER PUBLICATIONS

LEGO Blue Duplo Curved Elbow Pipe (31195) 1998-2016 [online], [site visited Aug. 27, 2021]. Available from the Internet: <https://www.brickowl.com/catalog/lego-blue-duplo-curved-elbow-pipe-31195> (Year: 1998).
 LEGO Duplo Tube Straight (31452)2002-2020 [online], [site visited Aug. 27, 2021]. Available from the Internet: <https://www.brickowl.com/catalog/lego-duplo-tube-straight-31452> (Year: 2002).
 LEGO Large Steering Wheel (2741) Available 1988-2020 [site visited Aug. 26, 2021]. Available from Internet: <https://www.brickowl.com/catalog/lego-large-steering-wheel-2741> (Year: 1988).
 LEGO Rapunzel Minifigure, Year Released 2018 [online], [site visited Oct. 22, 2021]. Available from Internet: <https://www.brickowl.com/catalog/lego-rapunzel-minifigure-246321> (Year: 2018).
 LEGO Small Steering Wheel (2819), Available 1993-2020 [online], [site visited Aug. 26, 2021]. Available from Internet: <https://www.brickowl.com/catalog/lego-small-steering-wheel-2819> (Year: 1993).
 LEGO Tractor Chassis Steering Wheel Available 1972-1975 [site visited Aug. 26, 2021]. Available from Internet: <https://www.brickowl.com/catalog/lego-tractor-chassis-steering-wheel> (Year: 1972).

* cited by examiner

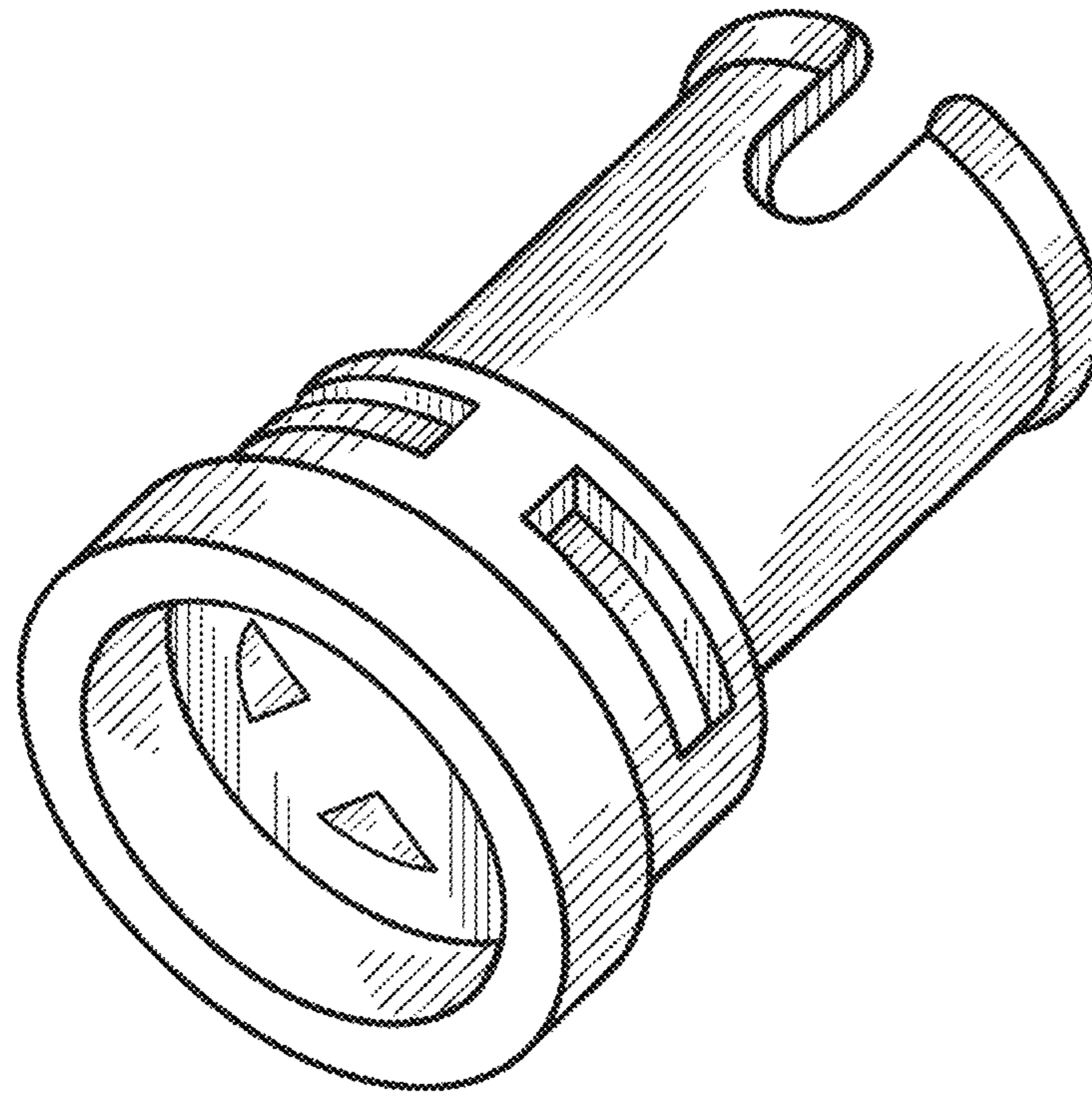


FIG. 1

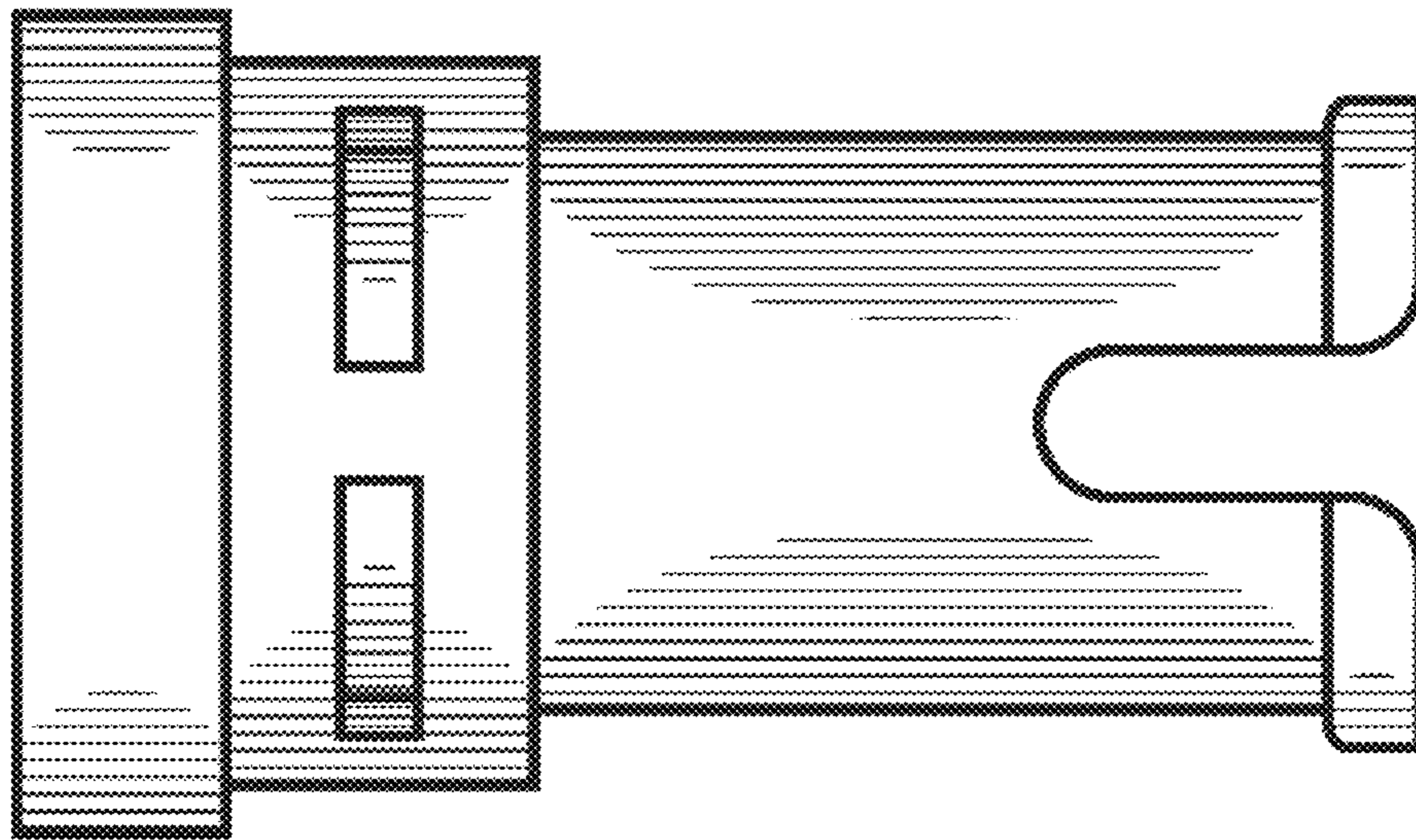


FIG. 2

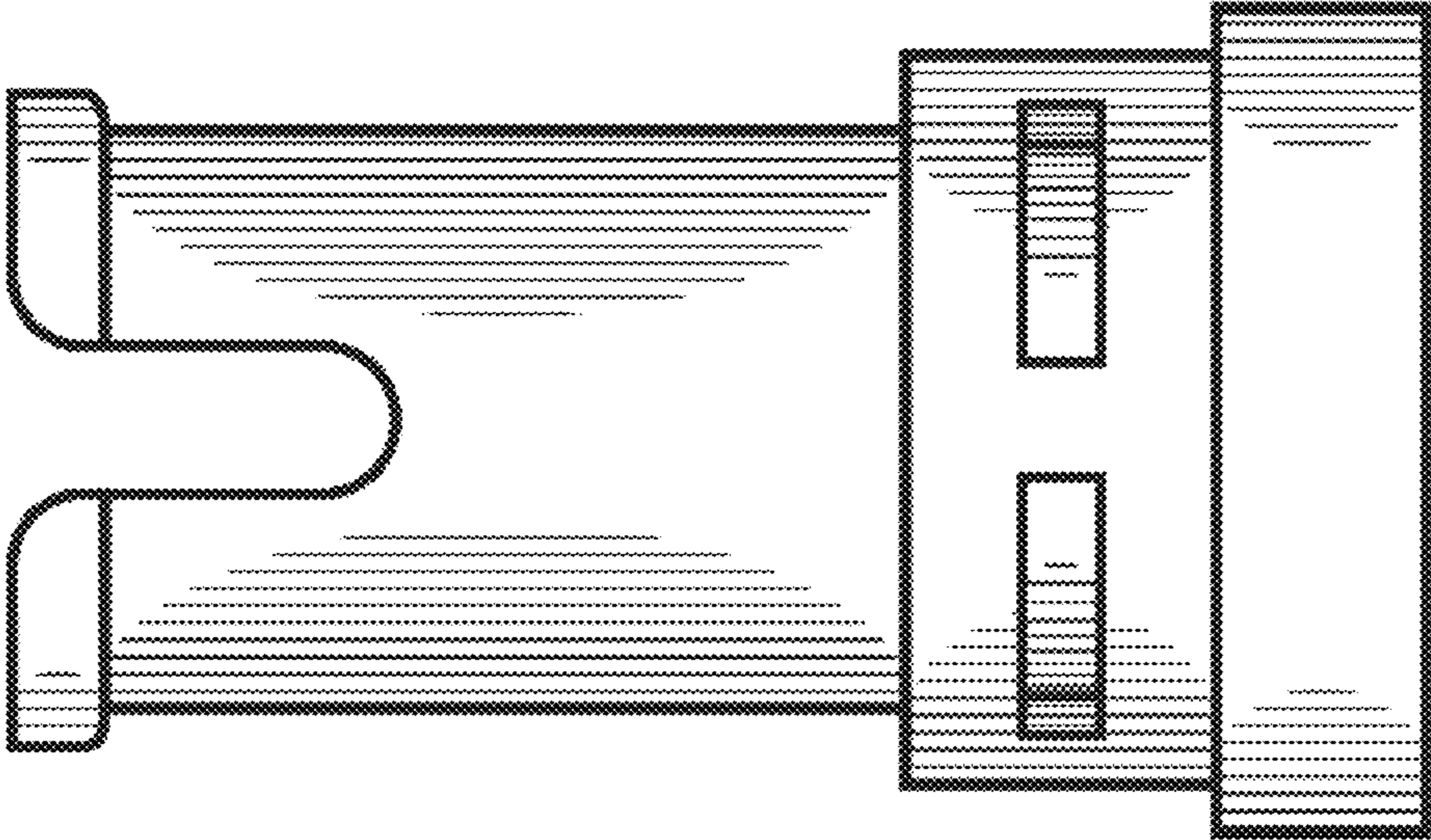


FIG. 3

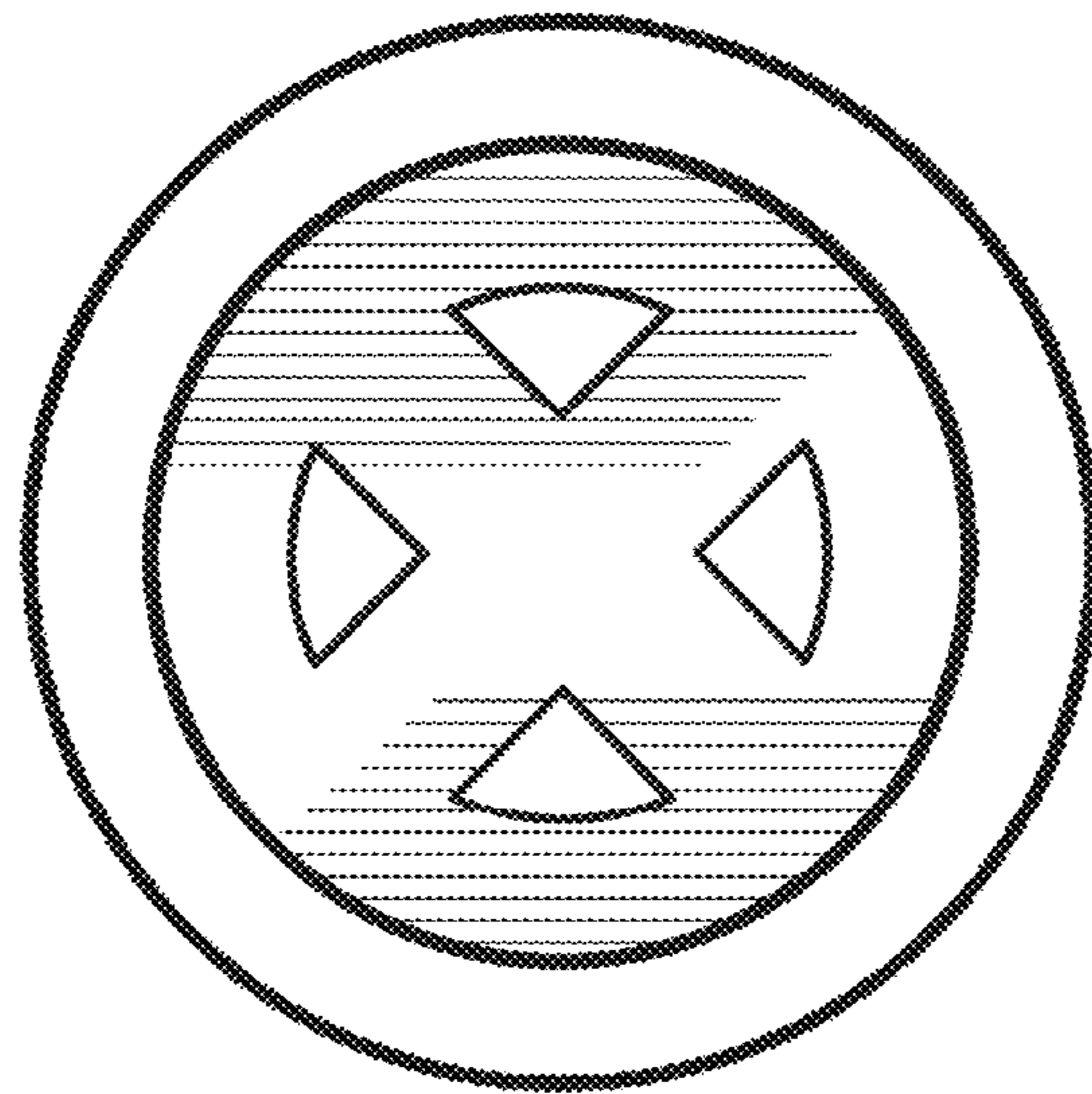


FIG. 4

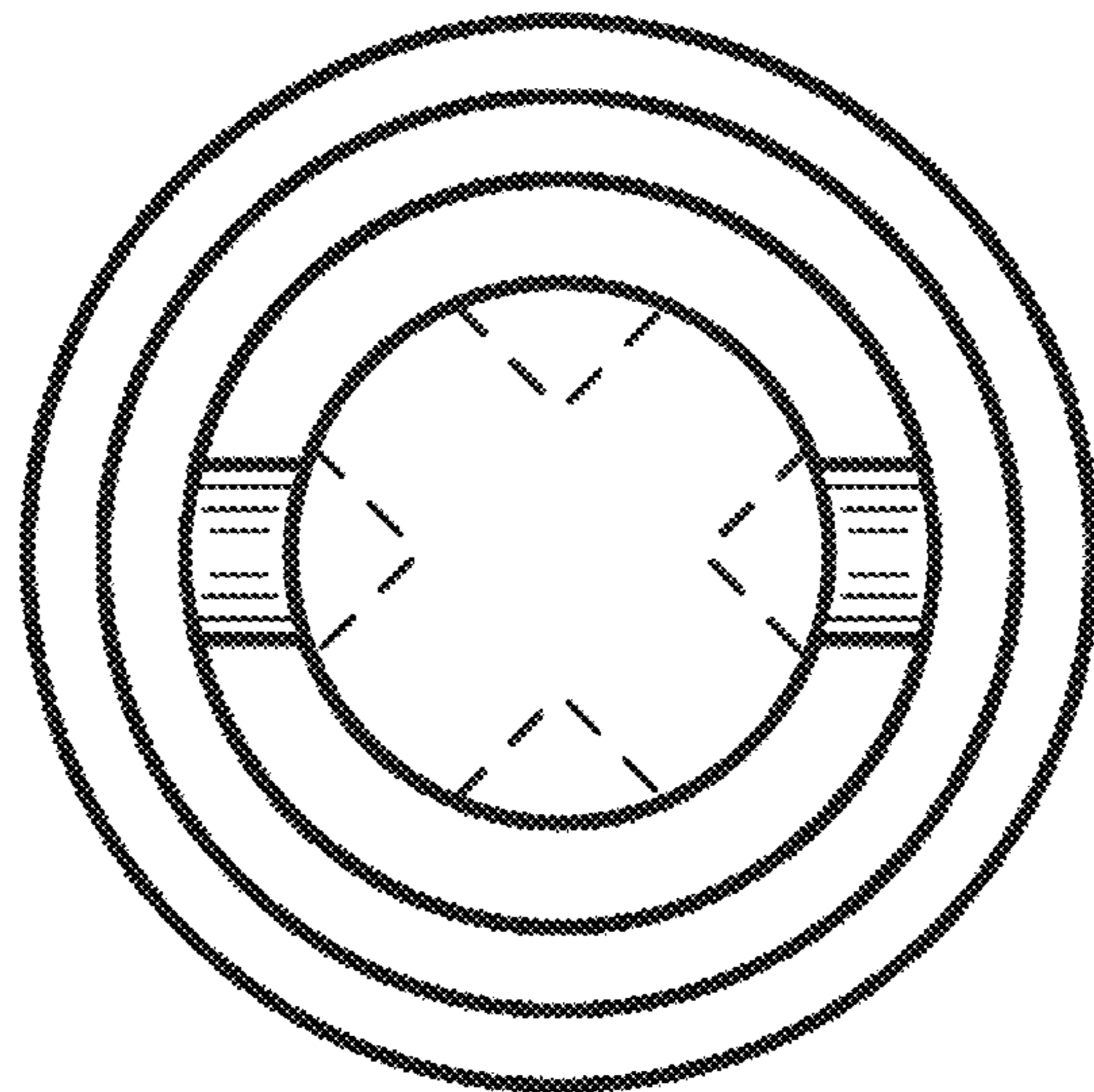


FIG. 5

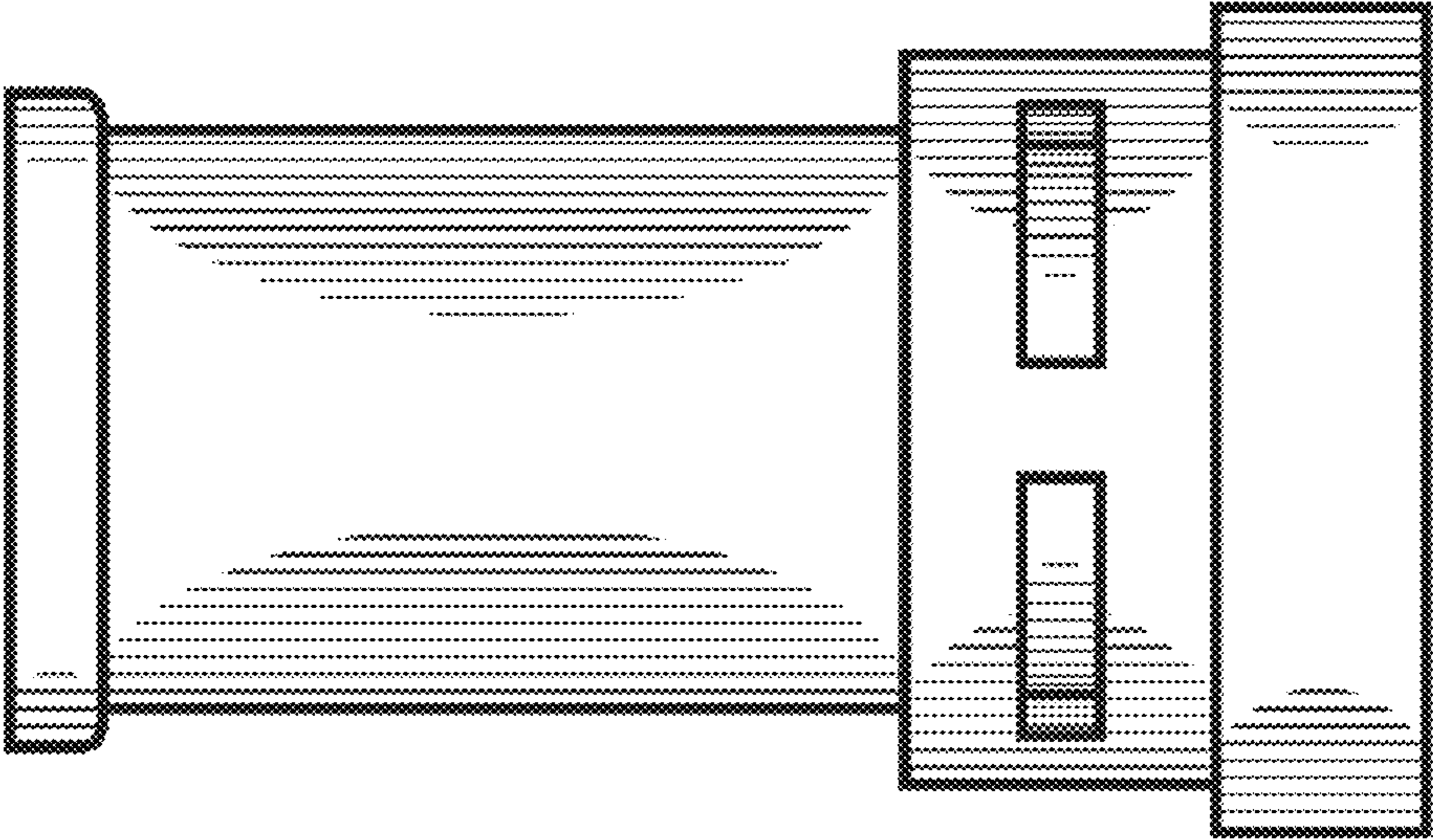


FIG. 6

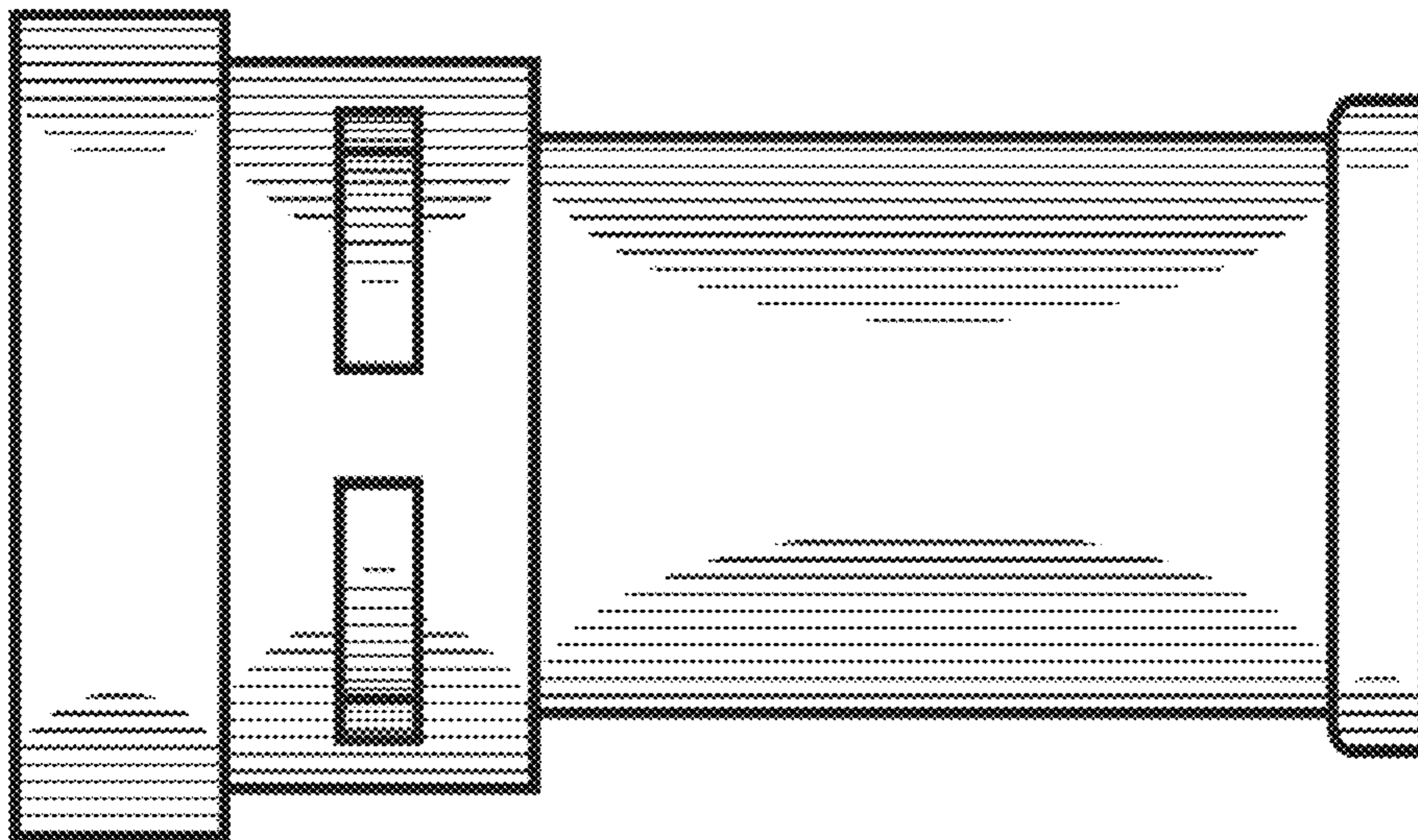


FIG. 7