



US00D963052S

(12) **United States Design Patent** (10) **Patent No.:** **US D963,052 S**  
**Lin** (45) **Date of Patent:** **\*\* Sep. 6, 2022**

(54) **TOY SET**

(71) Applicant: **YanYan Lin**, Kirkland, WA (US)

(72) Inventor: **YanYan Lin**, Kirkland, WA (US)

(\*\*) Term: **15 Years**

(21) Appl. No.: **29/807,131**

(22) Filed: **Sep. 9, 2021**

(51) **LOC (13) Cl.** ..... **21-02**

(52) **U.S. Cl.**  
USPC ..... **D21/414; D21/468**

(58) **Field of Classification Search**  
USPC ..... **D6/597-599; D19/187, 194; D21/414, D21/468, 659-661, 808**  
CPC ..... **A63H 3/00; A63H 33/18**  
See application file for complete search history.

(56) **References Cited**

**U.S. PATENT DOCUMENTS**

1,352,047 A	9/1920	Boje, Jr.	
2,960,794 A *	11/1960	Johns	A63H 3/24 446/183
3,883,982 A *	5/1975	McClary	A63H 37/00 446/27
4,321,888 A	3/1982	Topliffe	
D273,504 S *	4/1984	Routzong	D21/714
D273,505 S *	4/1984	Routzong	D21/714
D273,506 S *	4/1984	Routzong	D21/714
D414,517 S *	9/1999	Norris	D21/660
5,970,522 A *	10/1999	Apichom	A41G 7/02 2/206
D454,922 S *	3/2002	Long	D21/398
6,609,944 B1	8/2003	Viola	
D514,634 S *	2/2006	Zheng	D21/627
D522,072 S *	5/2006	Huetteman	D21/620
D523,190 S	6/2006	Oblack	
D523,914 S *	6/2006	Fine	D21/714
D538,862 S *	3/2007	Carusone	D21/606
D583,885 S *	12/2008	Horne	D21/731

(Continued)

*Primary Examiner* — Michael C Stout  
*Assistant Examiner* — Melvin L Davis  
(74) *Attorney, Agent, or Firm* — iPA & iPM

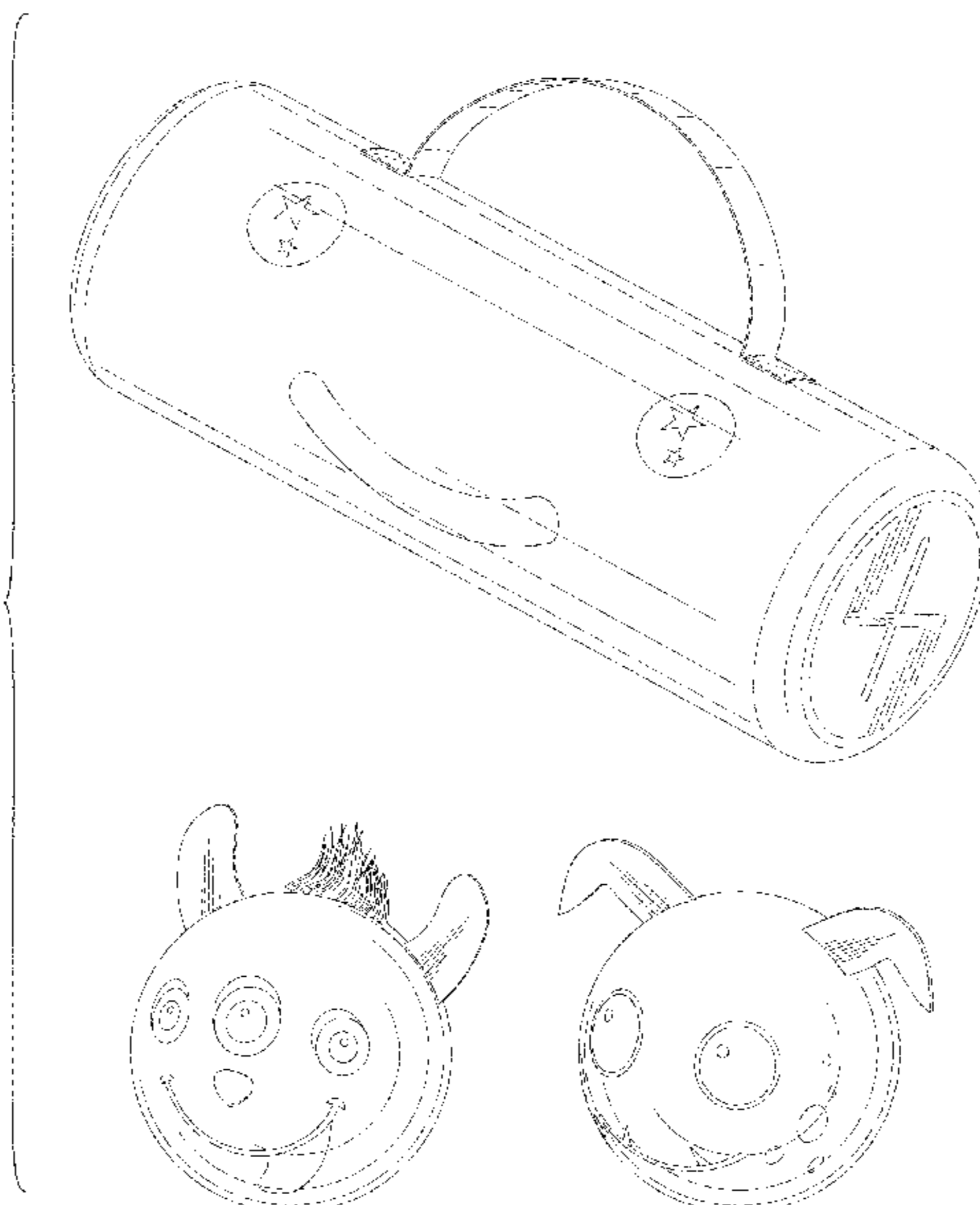
(57) **CLAIM**

The ornamental design for a toy set, as shown and described.

**DESCRIPTION**

FIG. 1 is a perspective view from above of a toy set showing my new design;  
FIG. 2 is a perspective view of a case;  
FIG. 3 is a perspective view from below thereof;  
FIG. 4 is a front view thereof;  
FIG. 5 is a back view thereof;  
FIG. 6 is right side view thereof;  
FIG. 7 is a left side view thereof;  
FIG. 8 is a top view thereof;  
FIG. 9 is a bottom view thereof;  
FIG. 10 is a perspective view of a first toy;  
FIG. 11 is a perspective view from behind thereof;  
FIG. 12 is a front view thereof;  
FIG. 13 is a back view thereof;  
FIG. 14 is a left side thereof;  
FIG. 15 is a right side view thereof;  
FIG. 16 is a top view thereof;  
FIG. 17 is a bottom view thereof;  
FIG. 18 is a perspective view of a second toy;  
FIG. 19 is a perspective view from behind view thereof;  
FIG. 20 is a front view thereof;  
FIG. 21 is a back view thereof;  
FIG. 22 is a left side view thereof;  
FIG. 23 is a right side view thereof;  
FIG. 24 is a top view thereof; and,  
FIG. 25 is a bottom view thereof.  
The broken line showing of the toy set is for the purpose of illustrating portions of the article that forms no part of the claimed design.

**1 Claim, 20 Drawing Sheets**



(56)

**References Cited**

U.S. PATENT DOCUMENTS

D605,225 S *	12/2009	Wen .....	D19/142
D675,679 S *	2/2013	Soriano .....	D21/398
D709,136 S *	7/2014	Goldman .....	D21/412
D712,986 S *	9/2014	Johnson .....	A63H 3/00 D21/659
D748,871 S	2/2016	Setser	
D780,271 S *	2/2017	Liu .....	D21/659
D785,102 S *	4/2017	Ruffin, Jr. ....	D21/659
D794,132 S	8/2017	Capozzi	
D819,759 S *	6/2018	Yen .....	D21/714
D841,748 S *	2/2019	Chiang .....	D21/714
D855,717 S *	8/2019	Hinton .....	D21/659
D877,818 S *	3/2020	Coello .....	D21/660
D902,506 S	11/2020	Yeung	

\* cited by examiner



FIG. 1

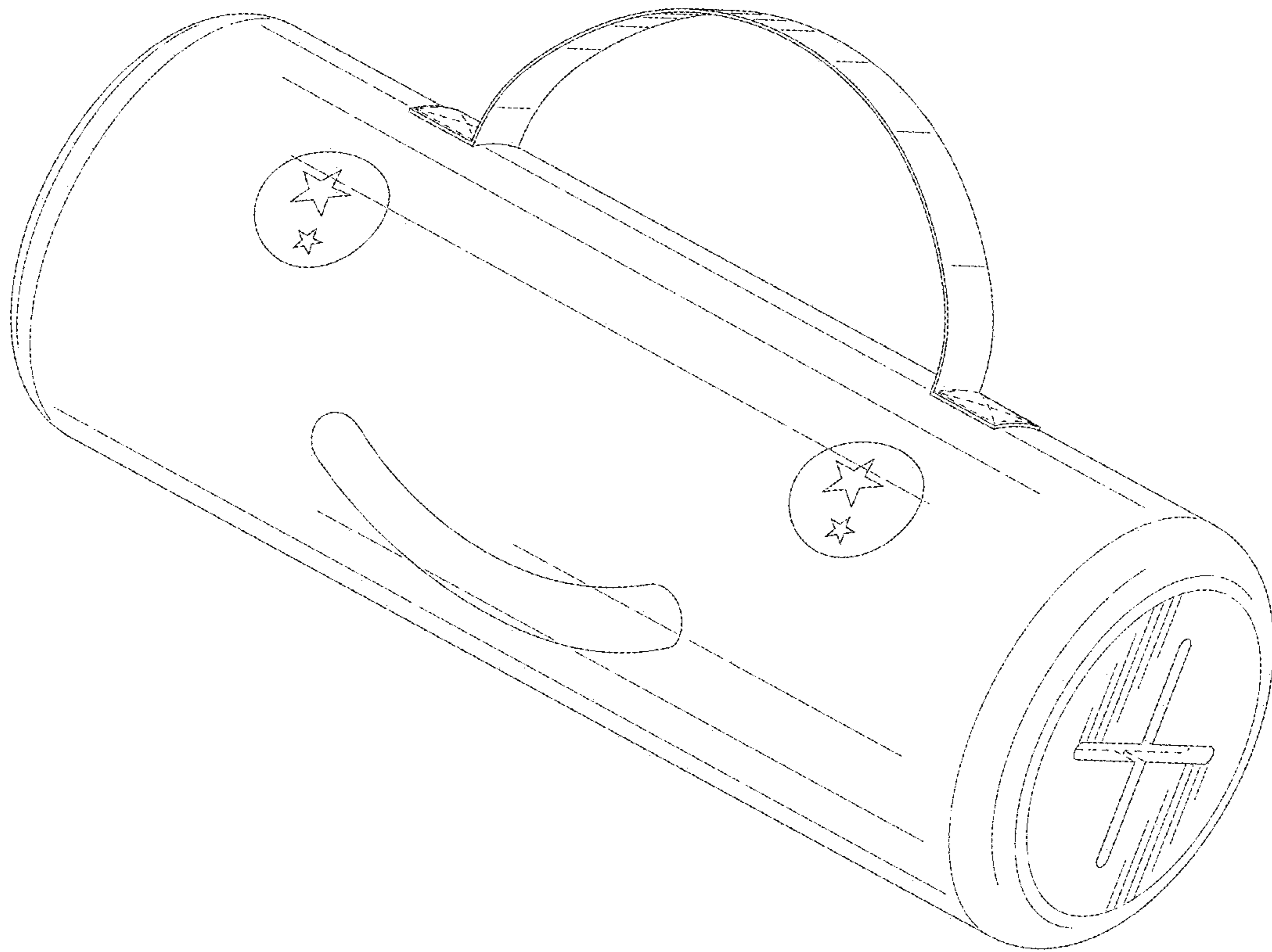


FIG. 2

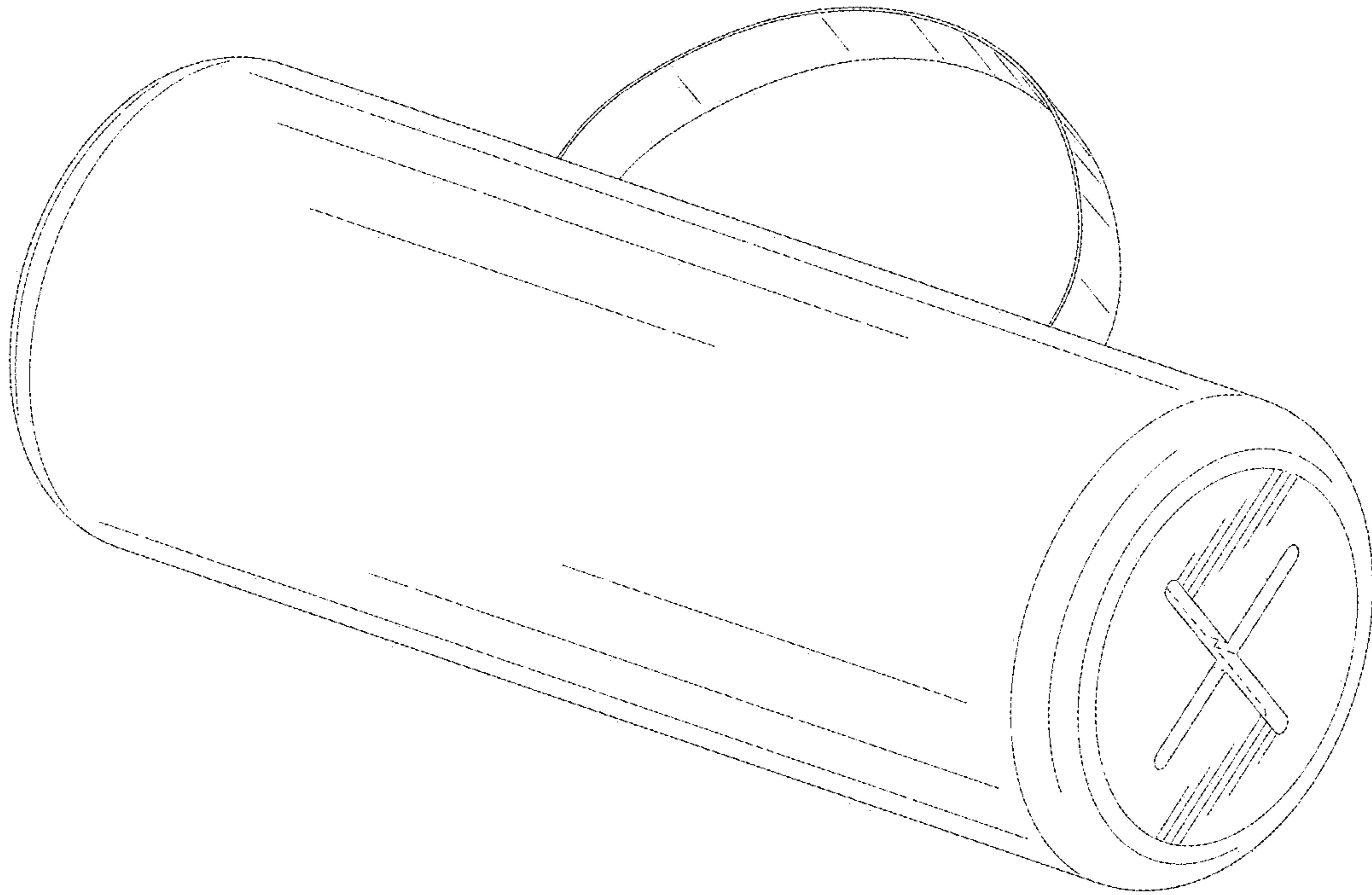


FIG. 3

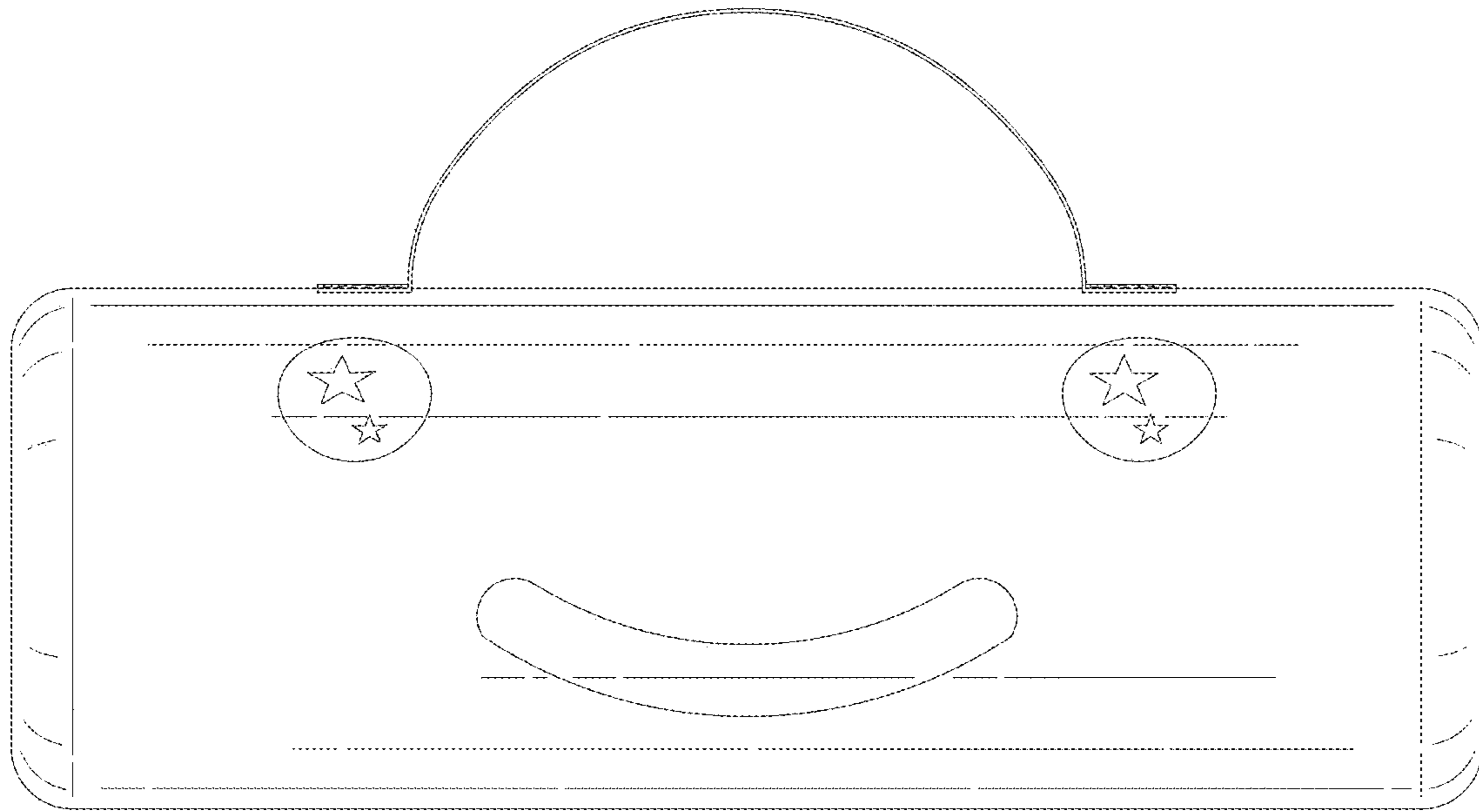


FIG. 4

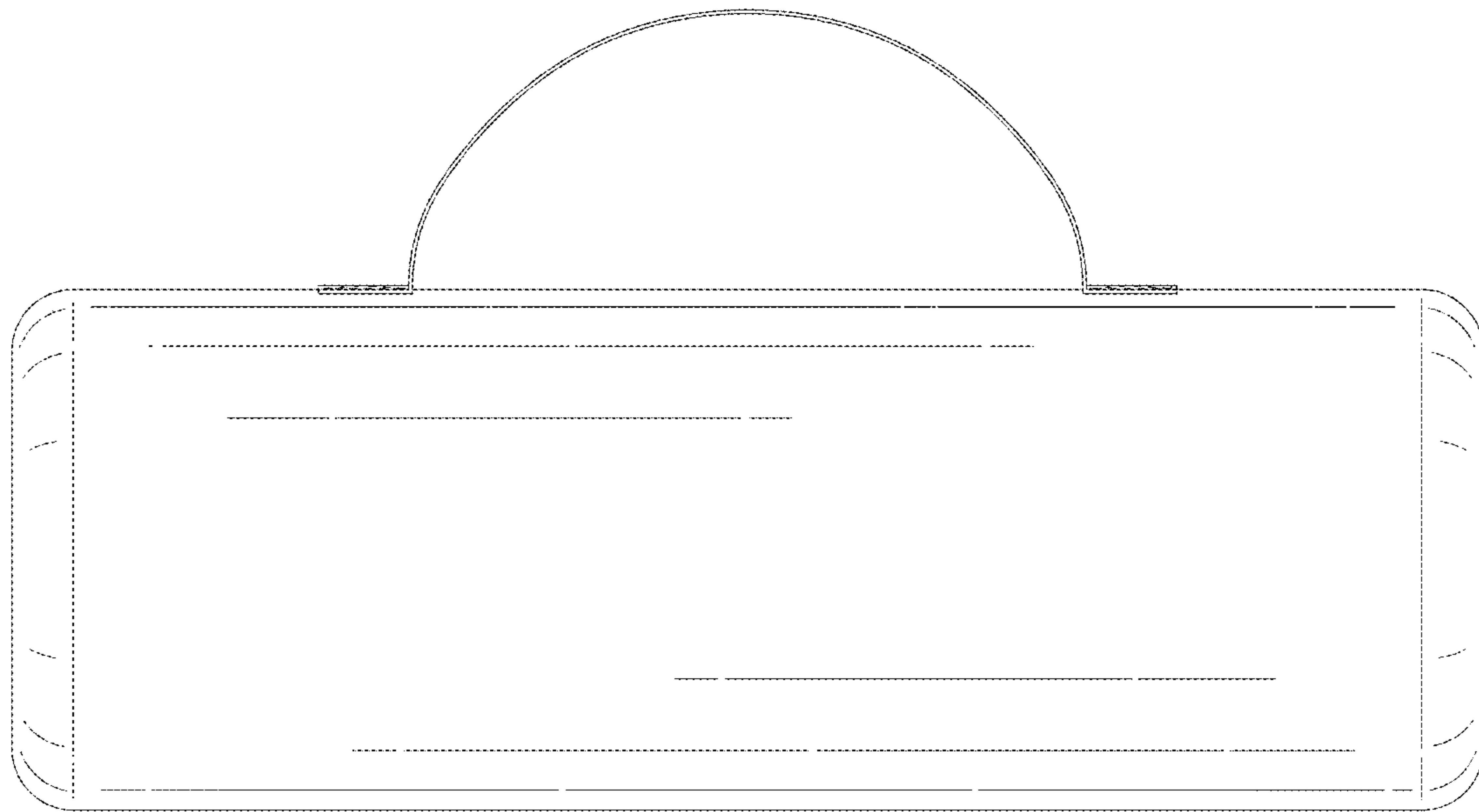


FIG. 5

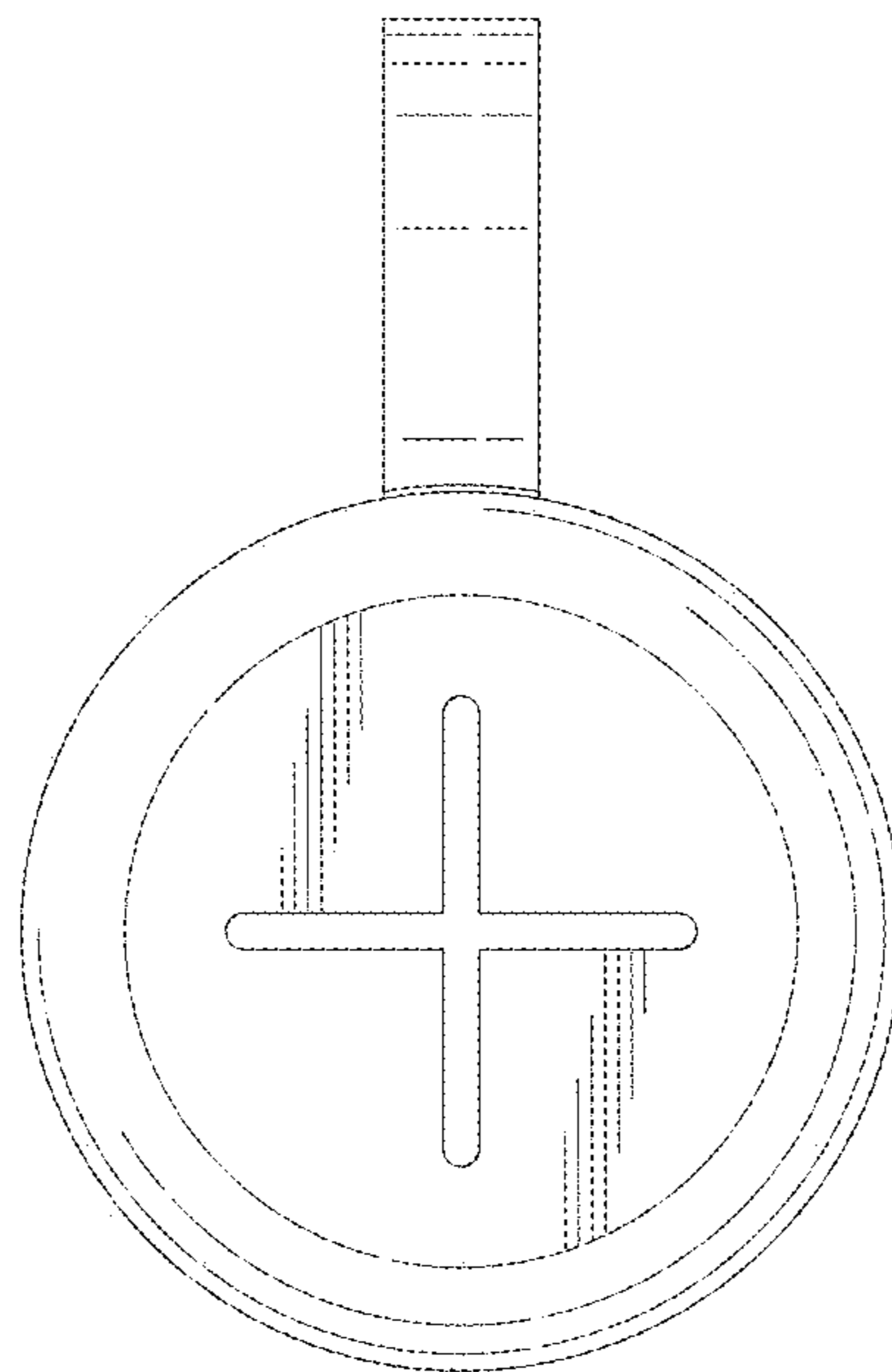


FIG. 6

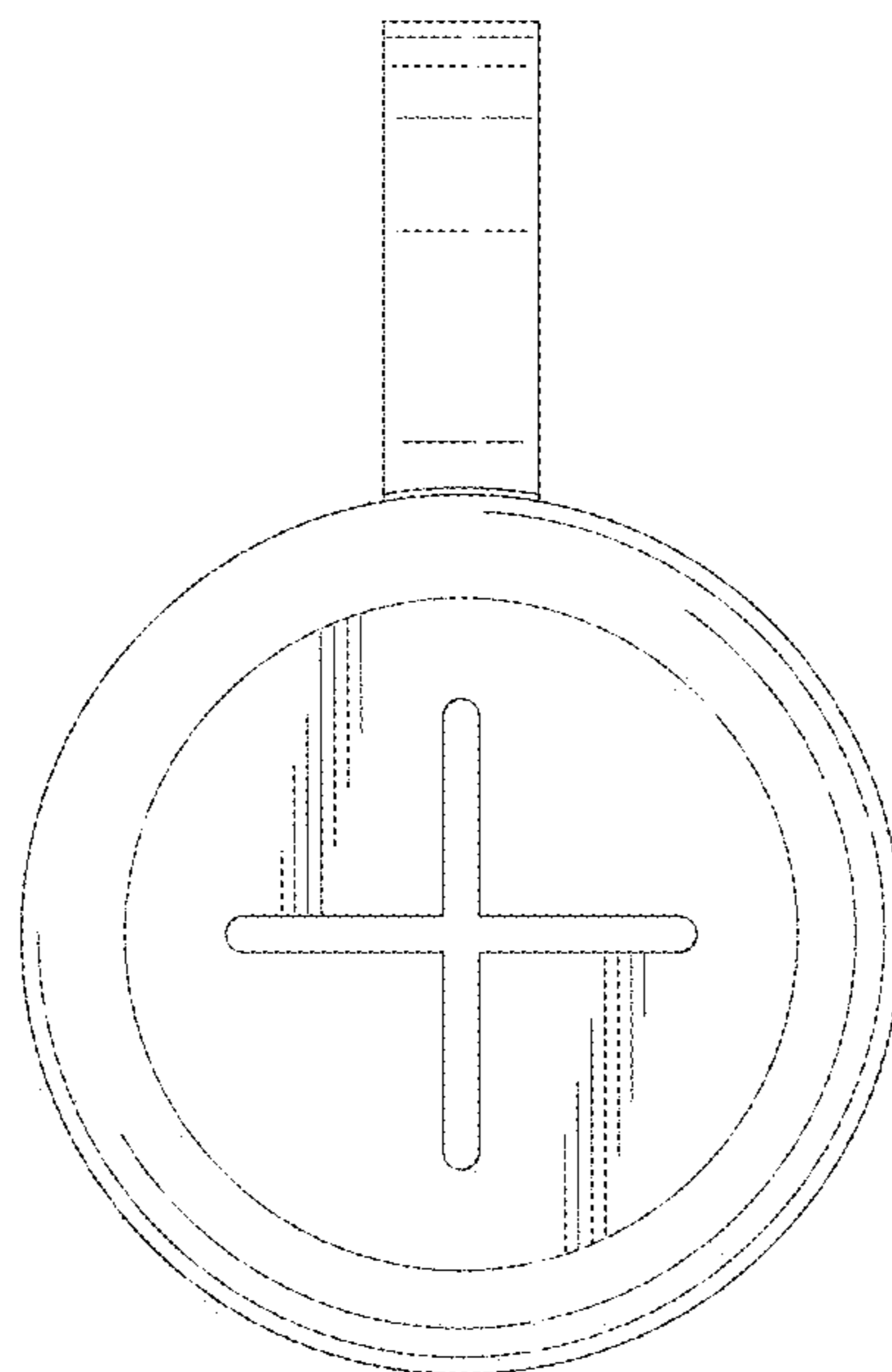


FIG. 7



FIG. 8

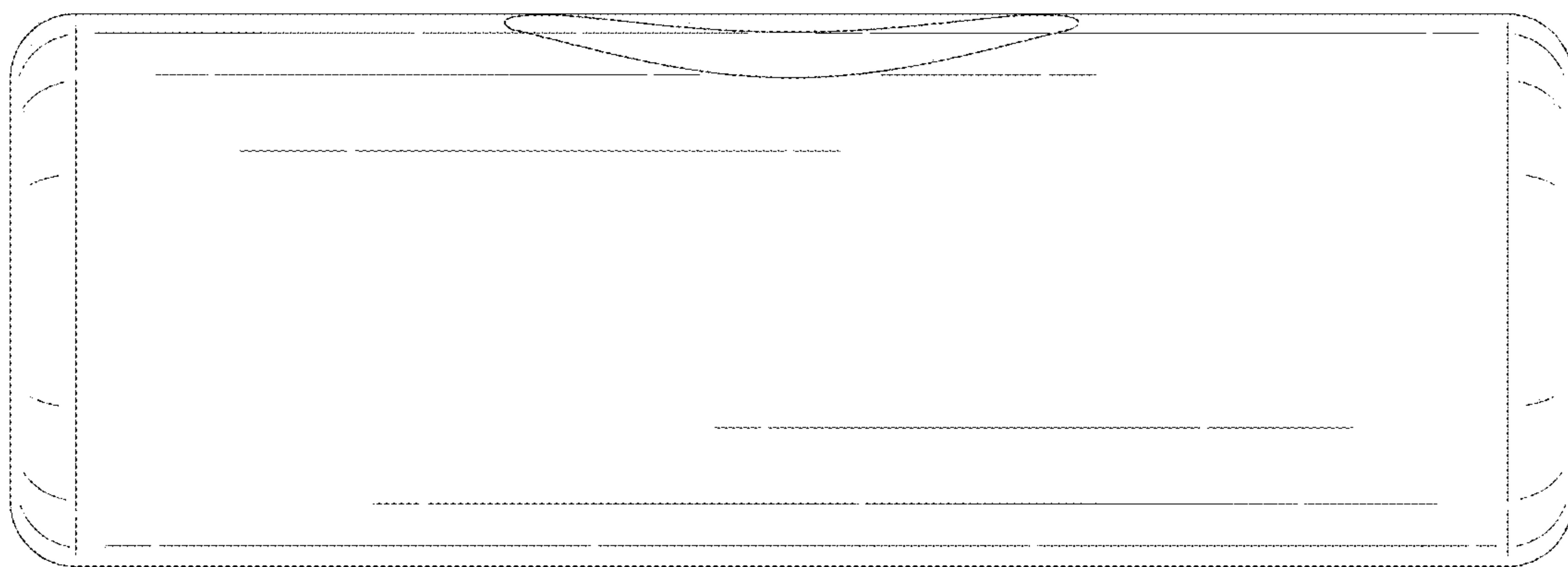


FIG. 9



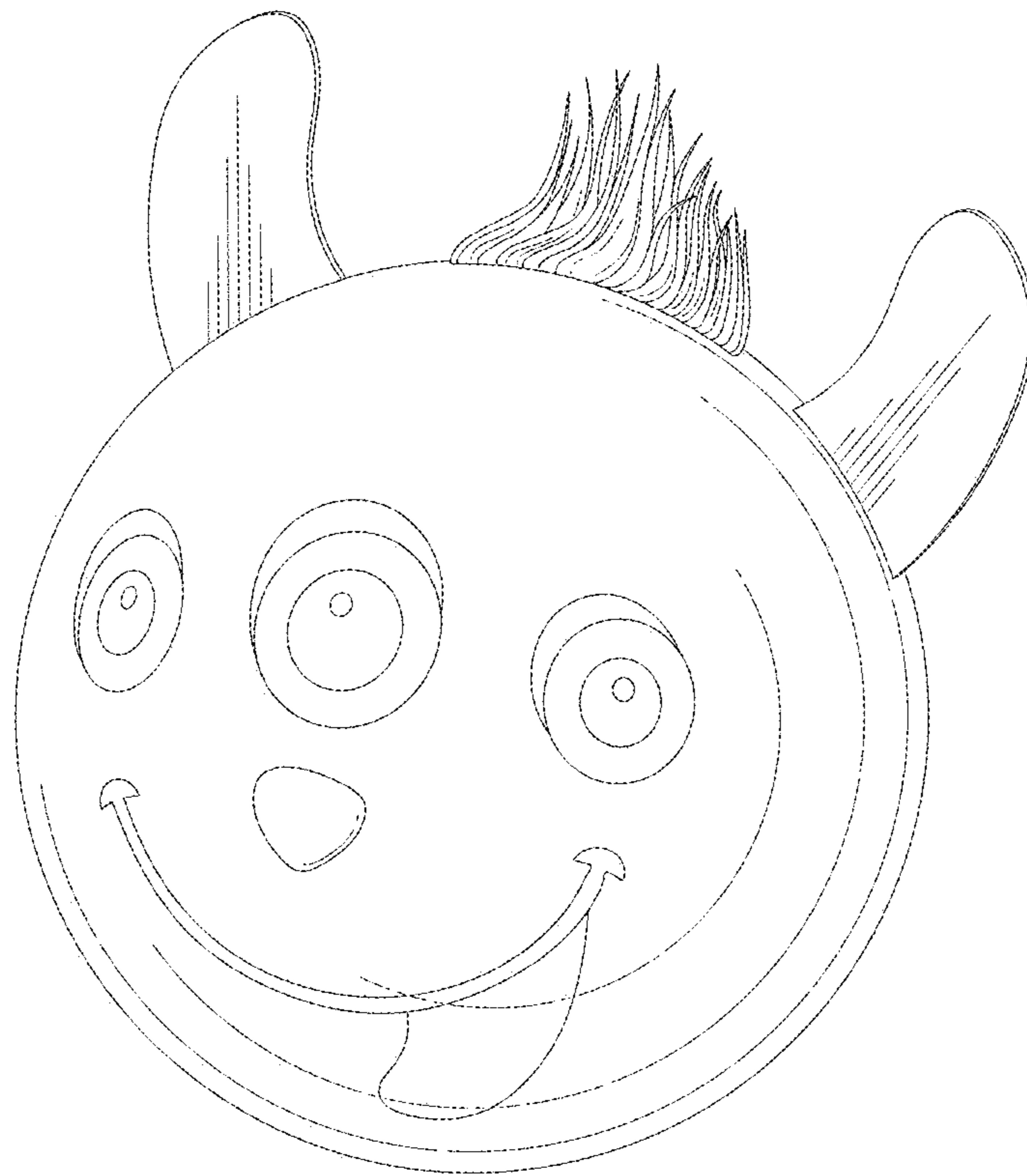


FIG.10

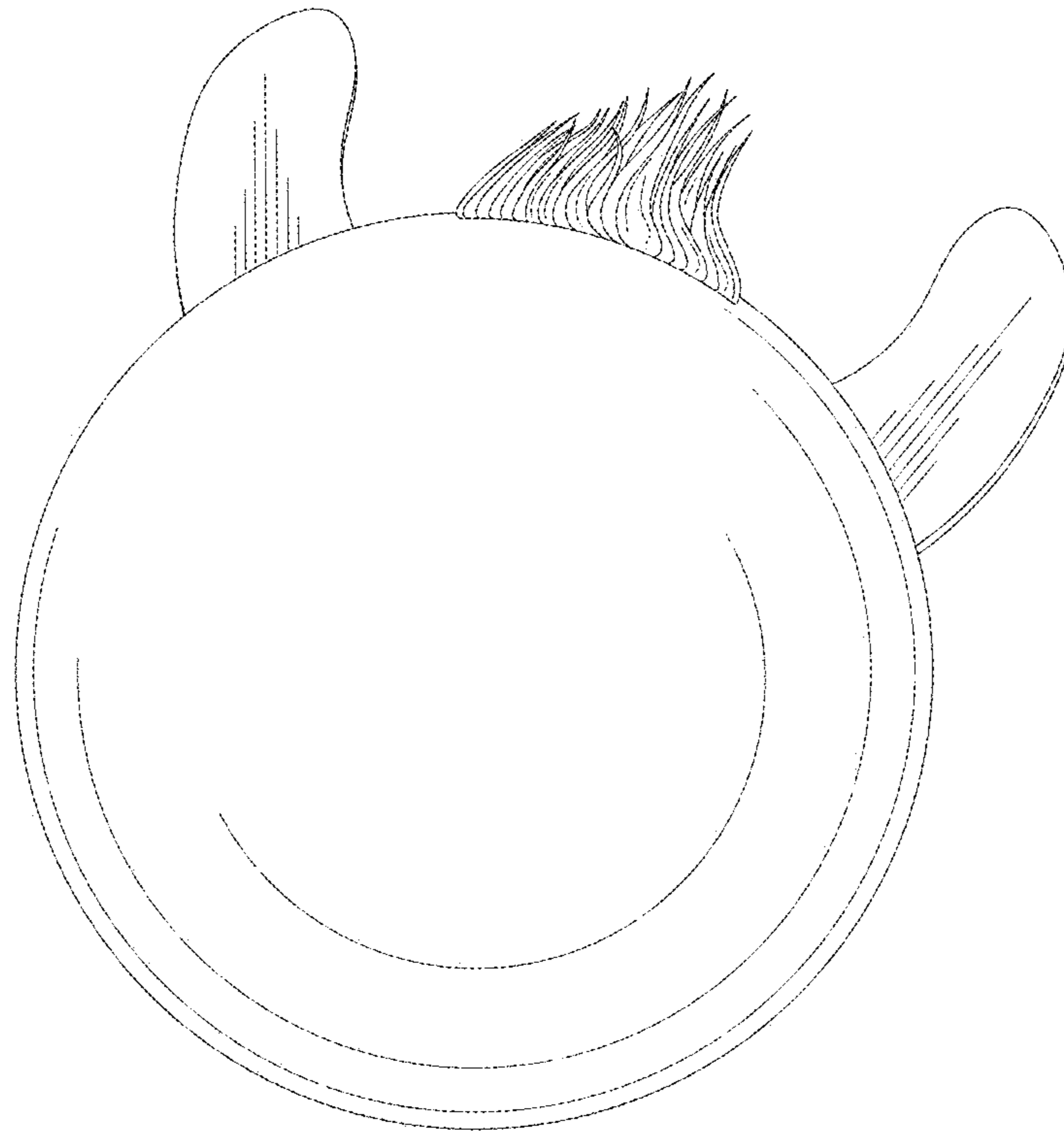


FIG.11

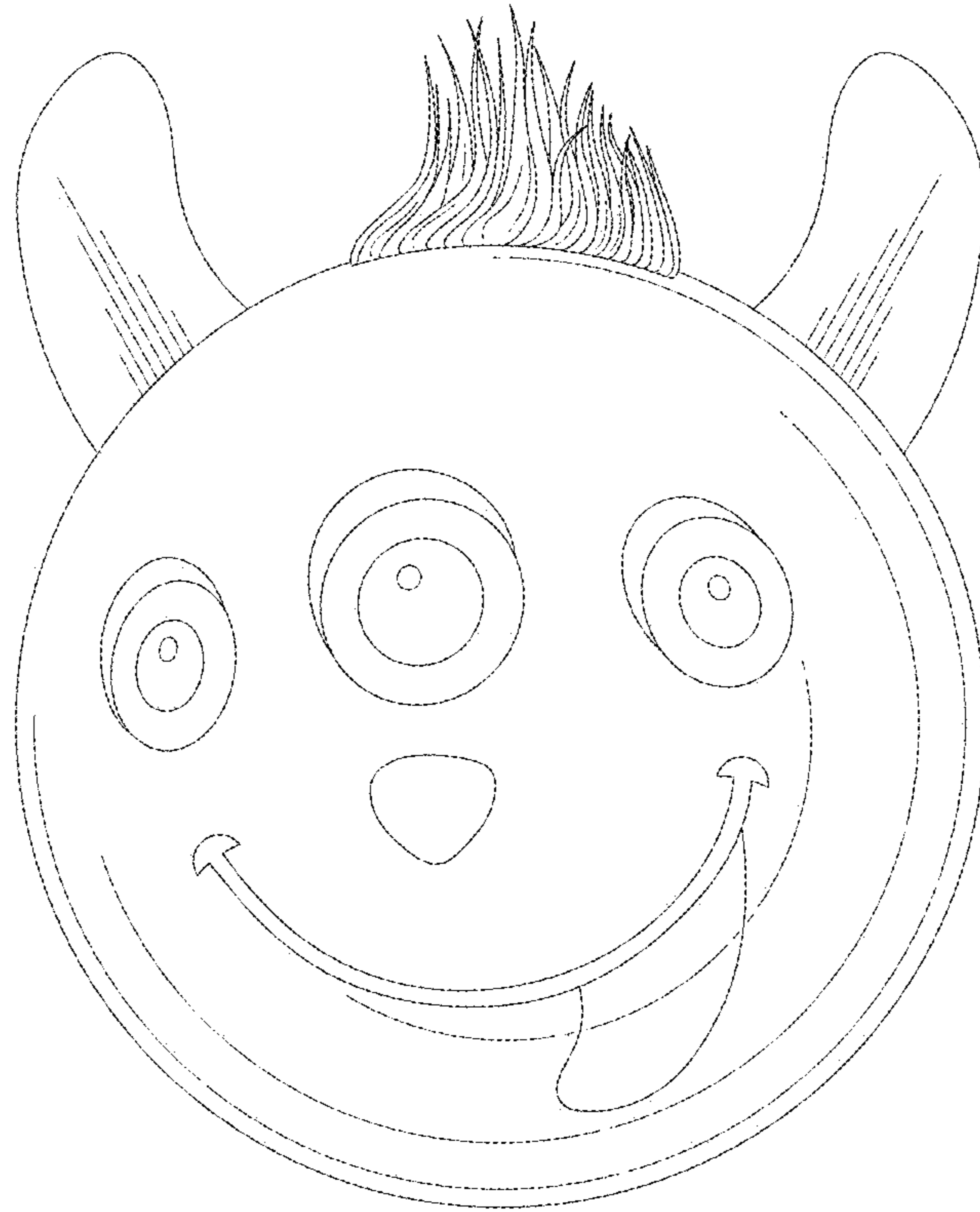


FIG.12

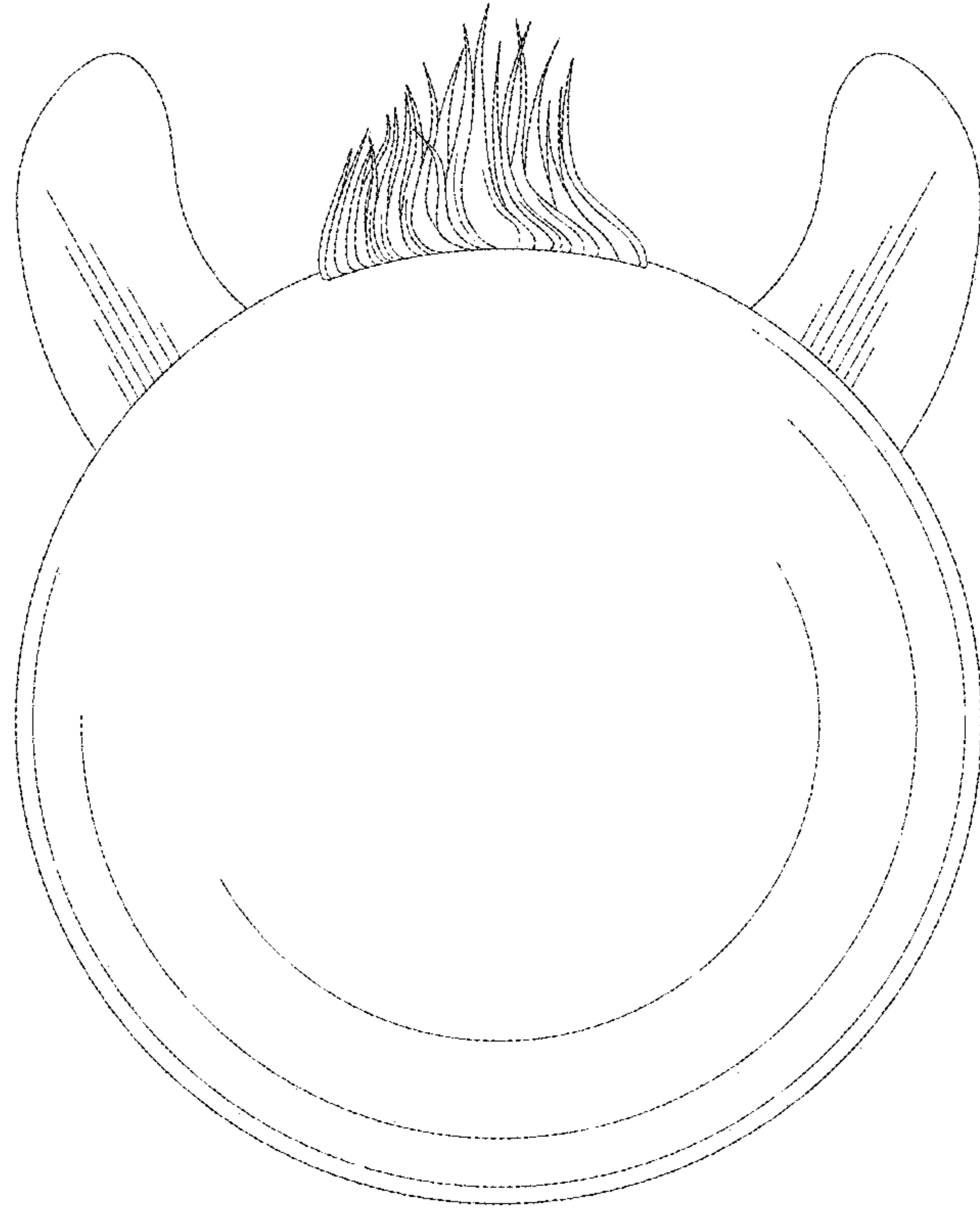


FIG.13

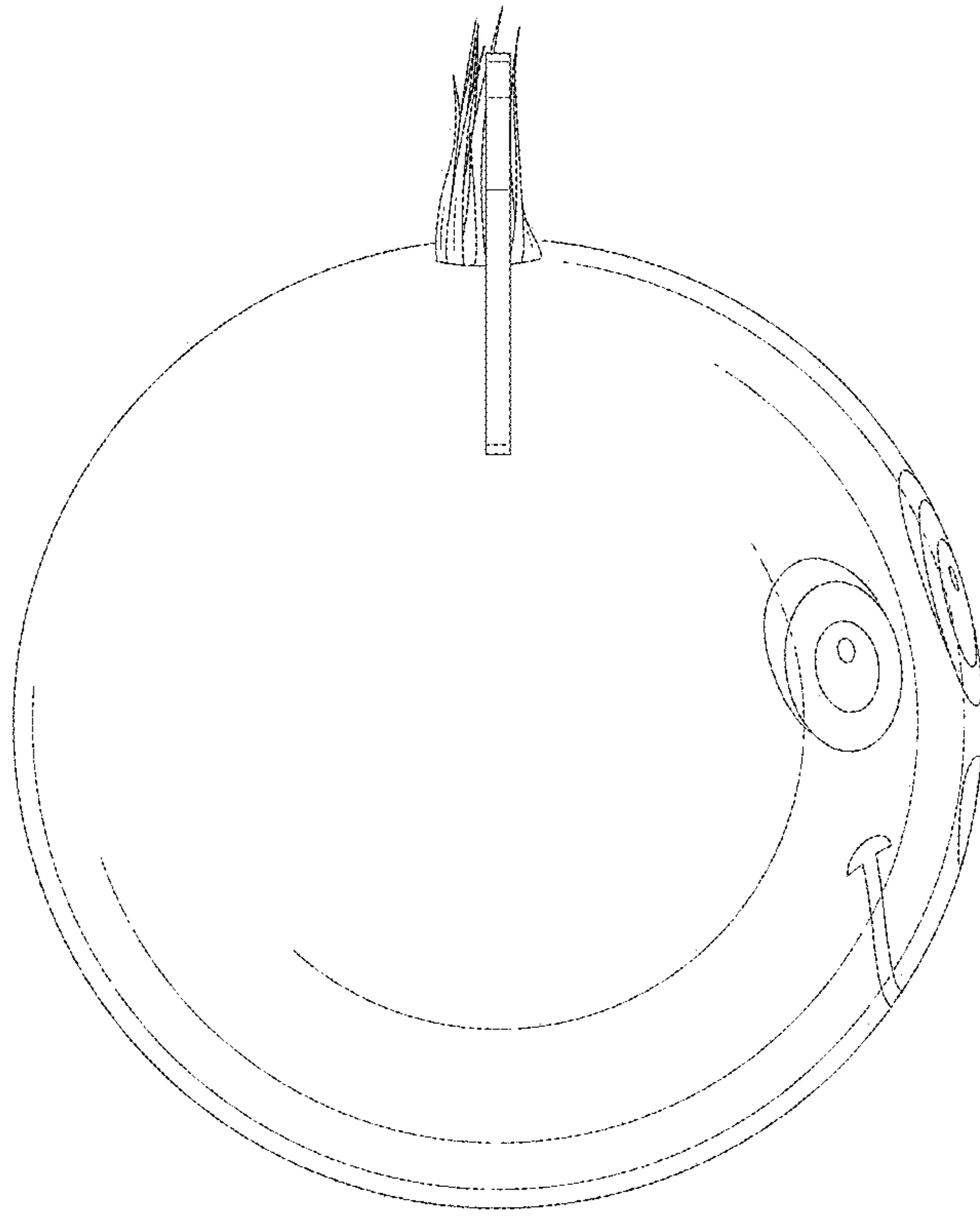


FIG.14

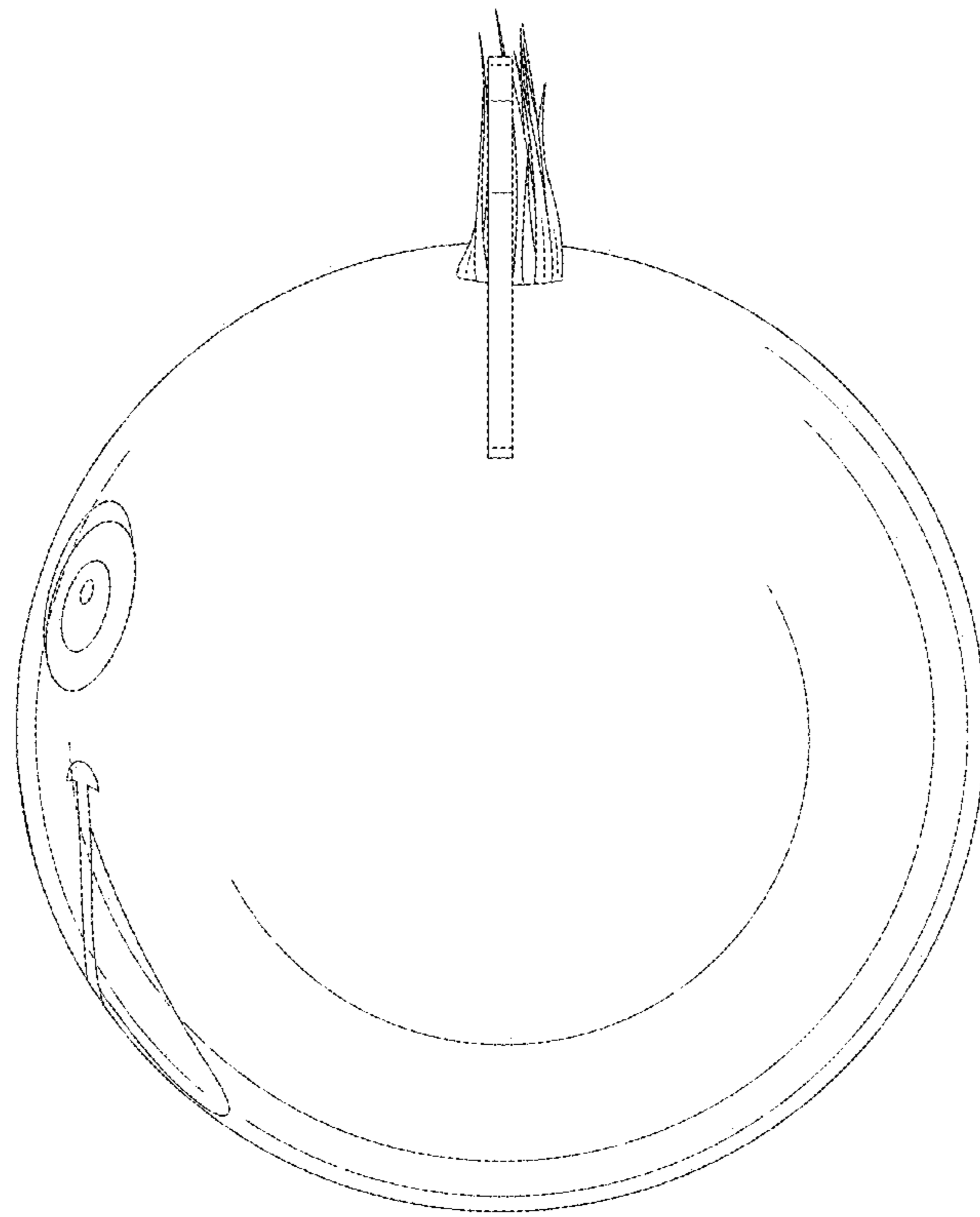


FIG.15

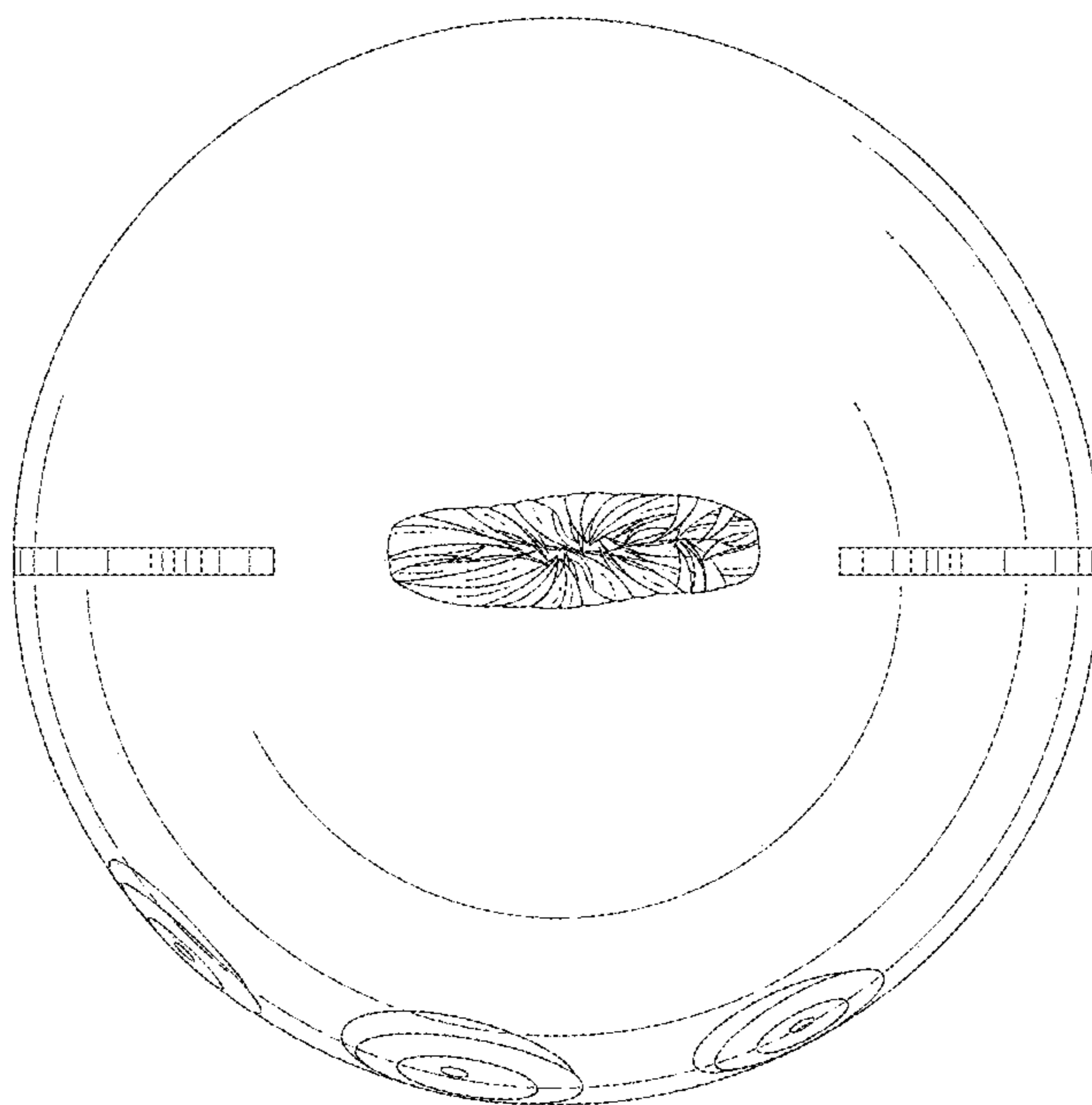


FIG.16

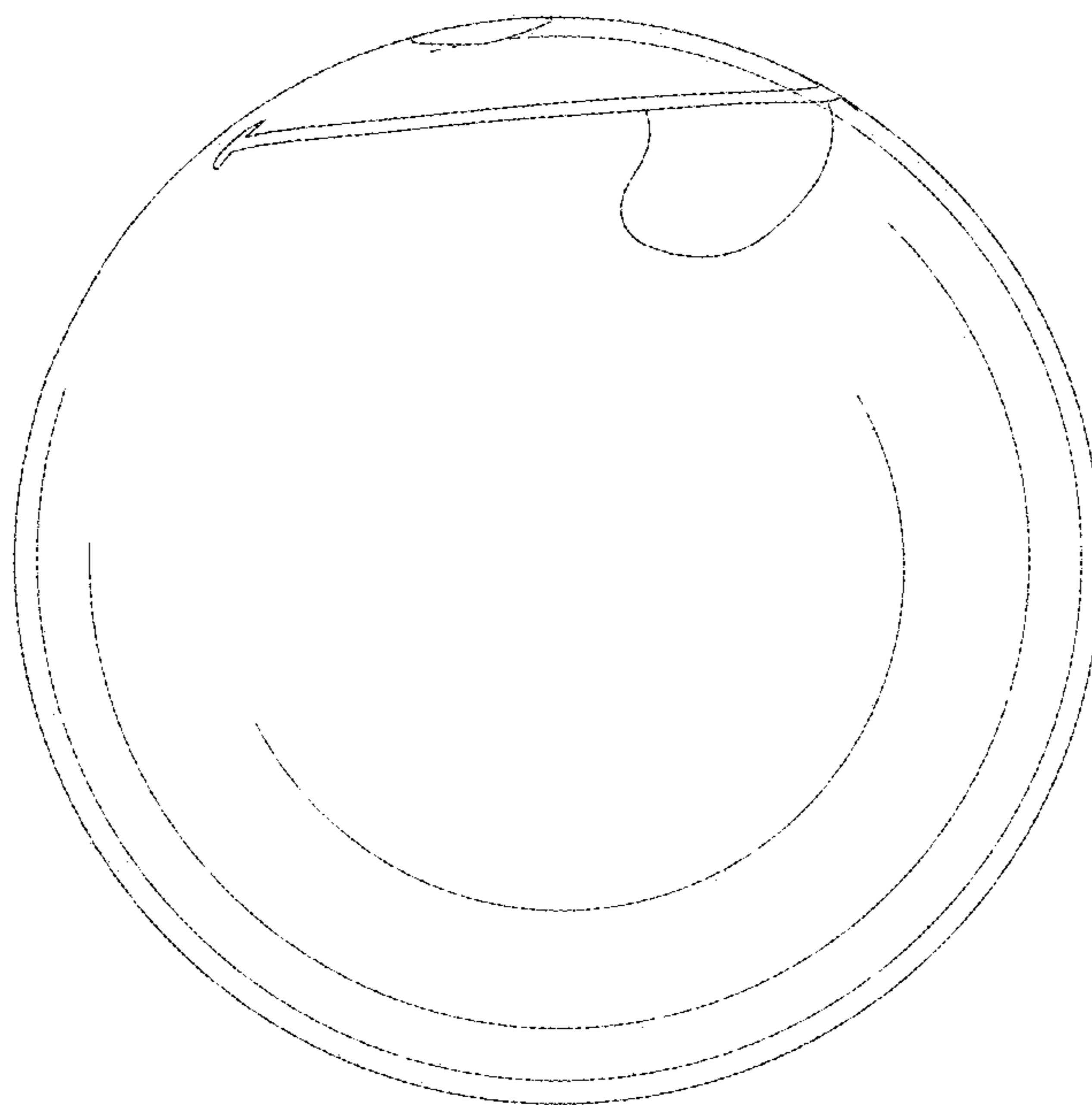


FIG.17

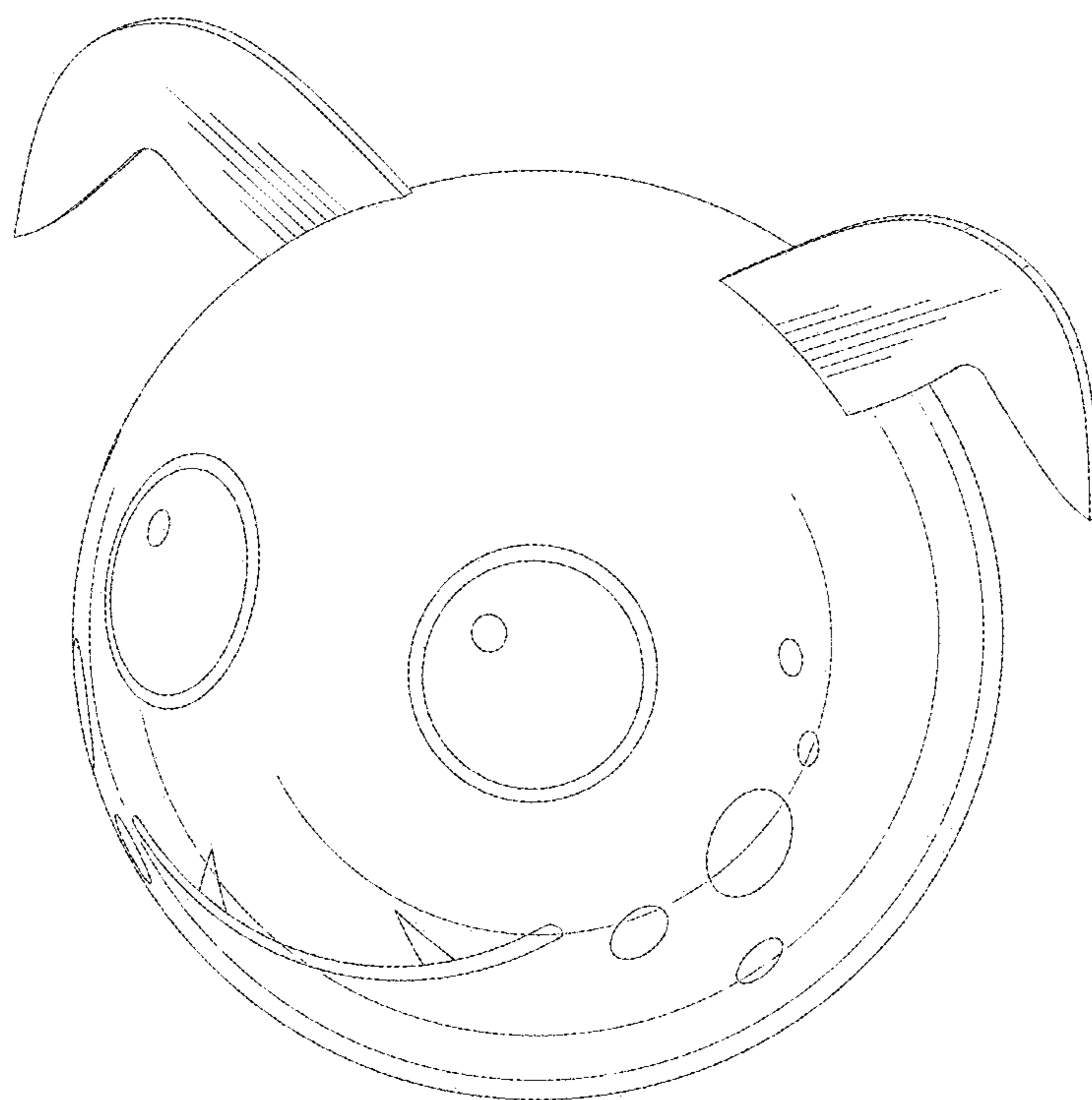


FIG.18



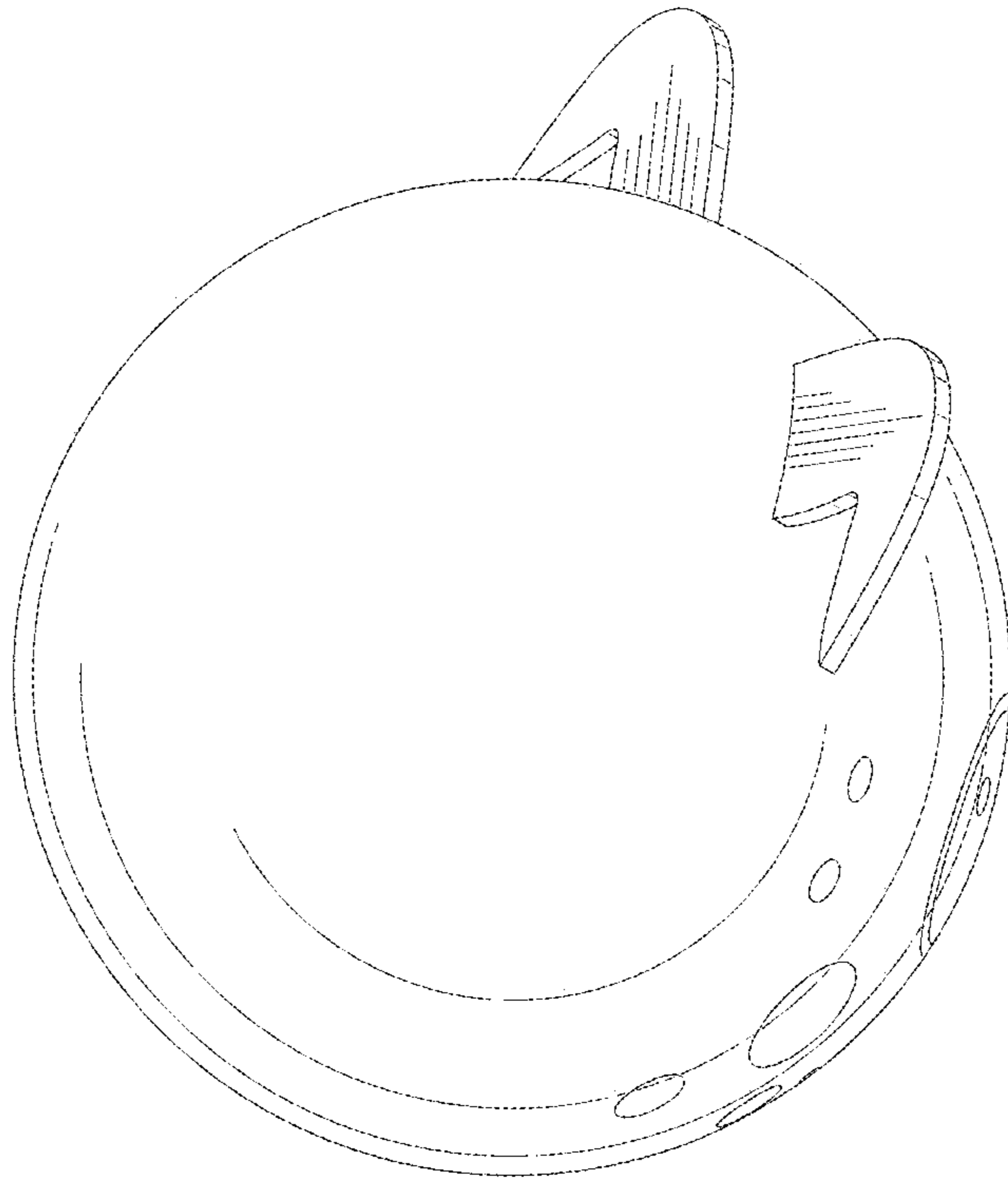


FIG.19

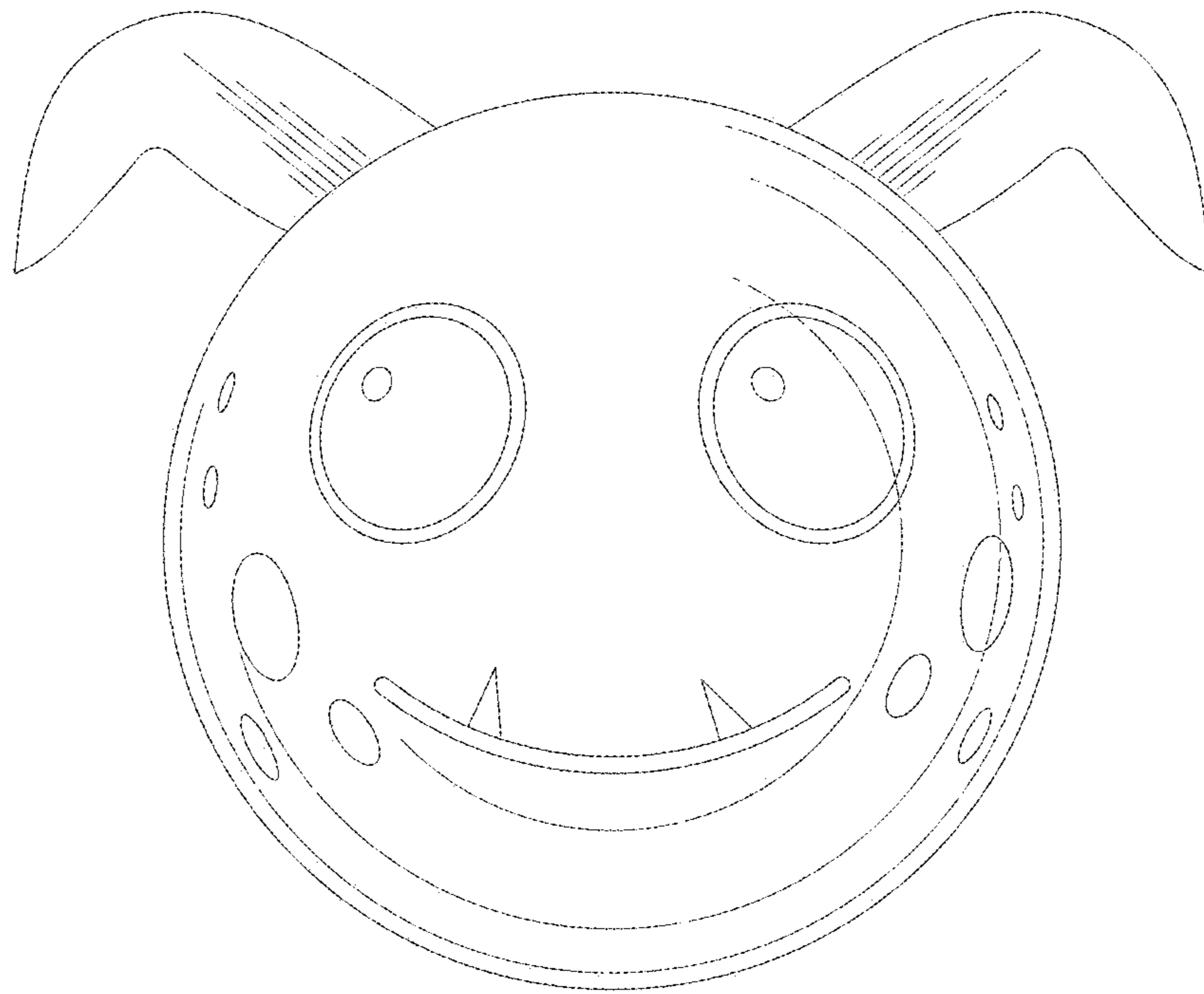


FIG.20

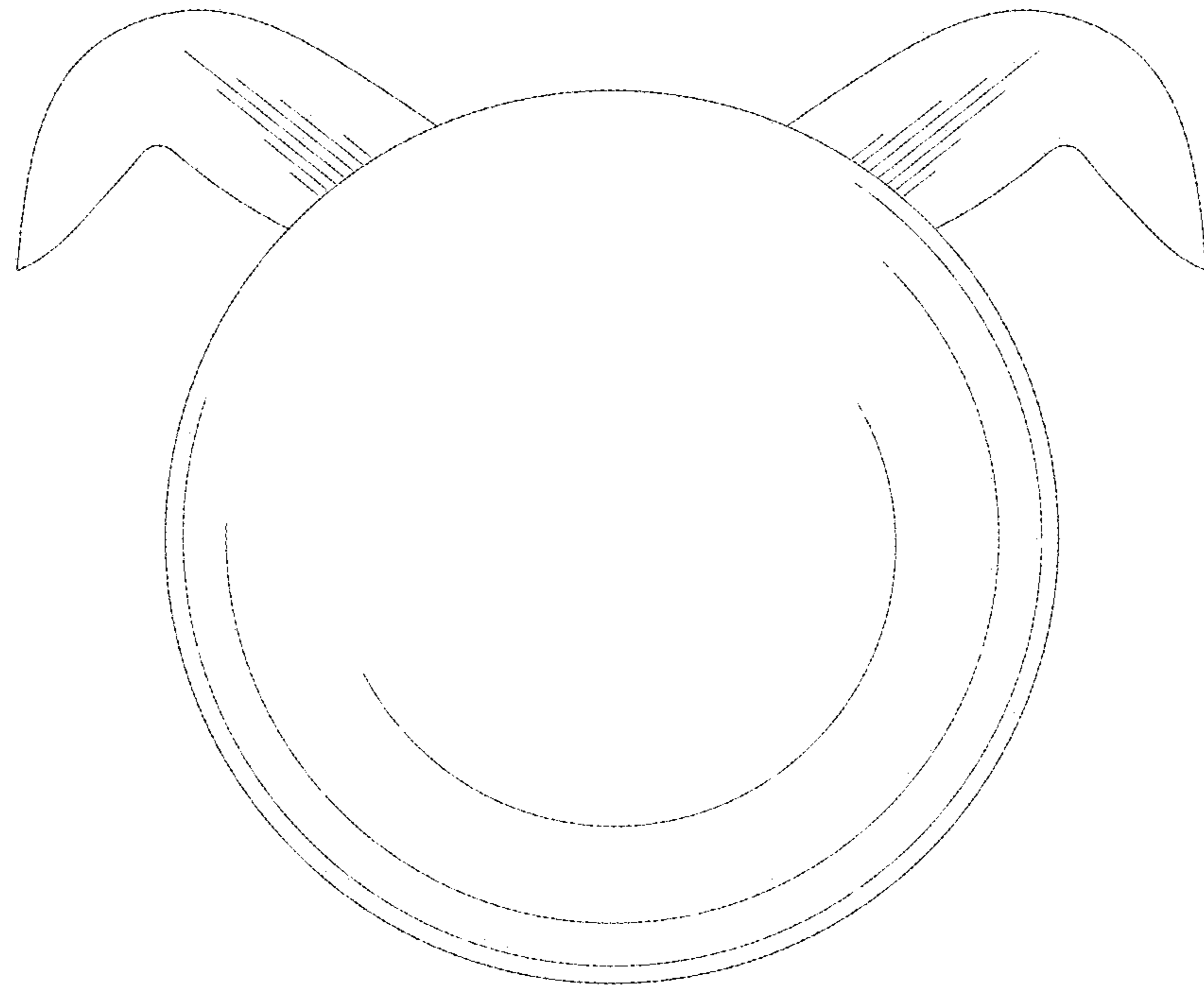


FIG.21

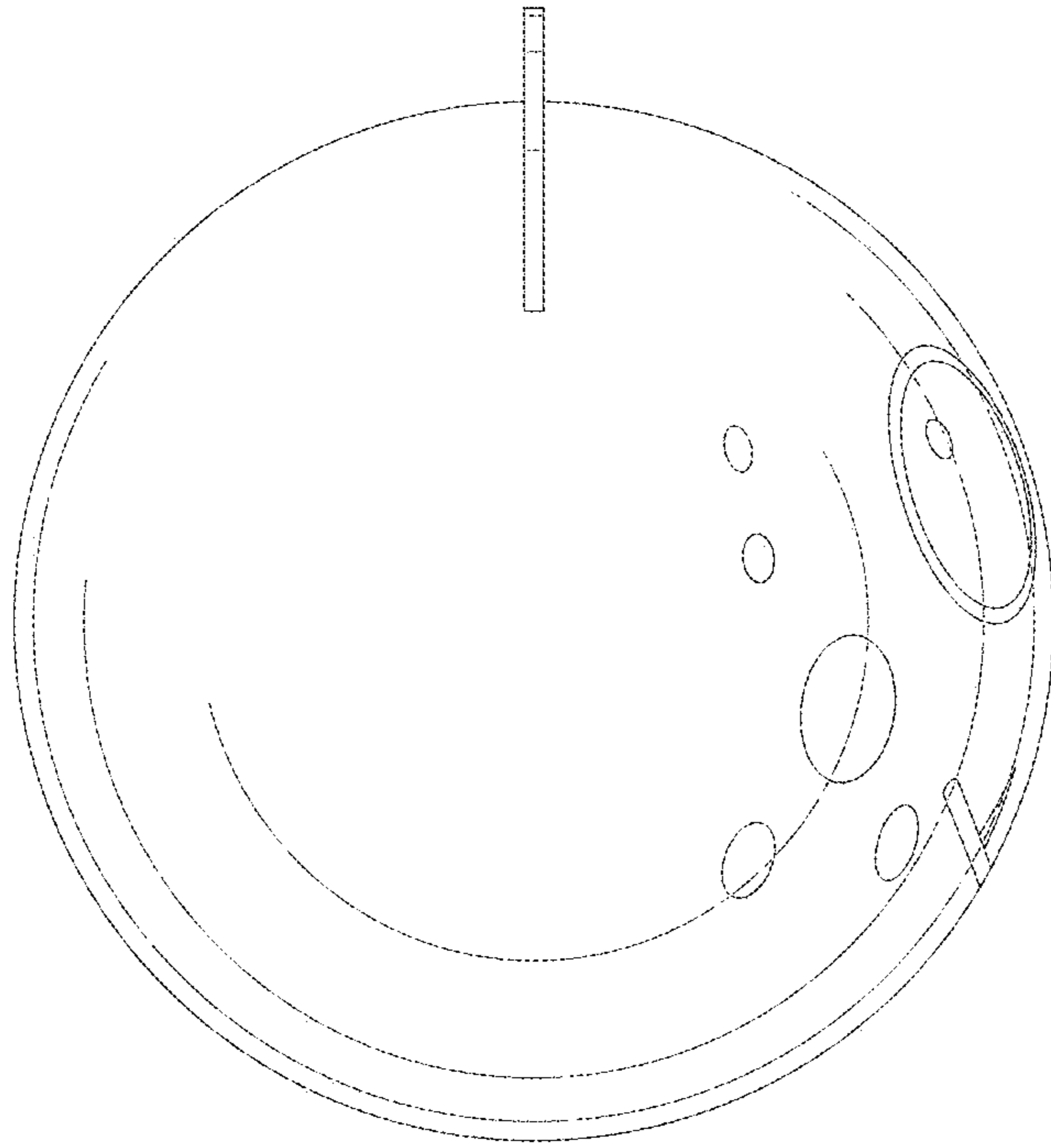


FIG.22

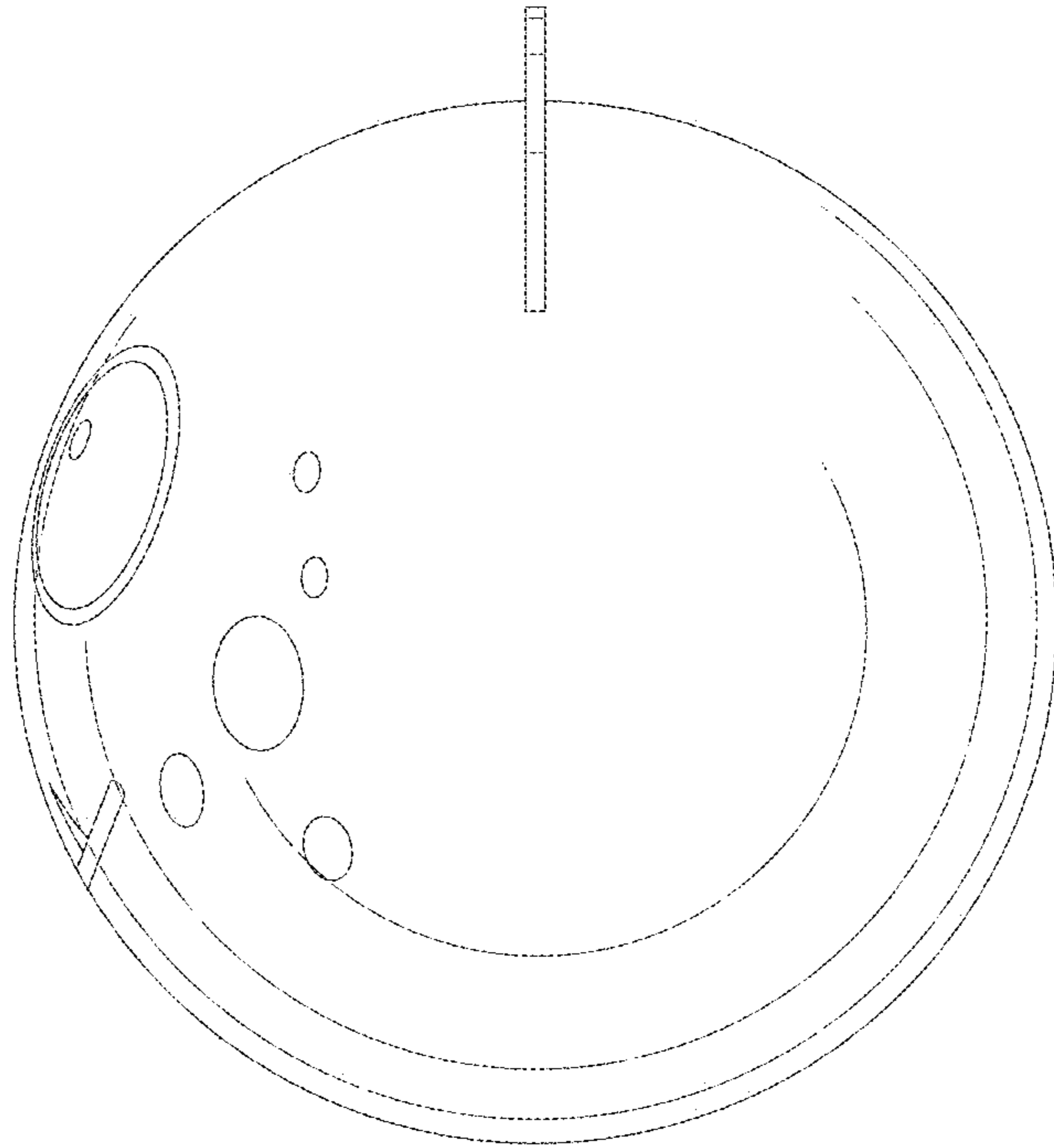


FIG.23

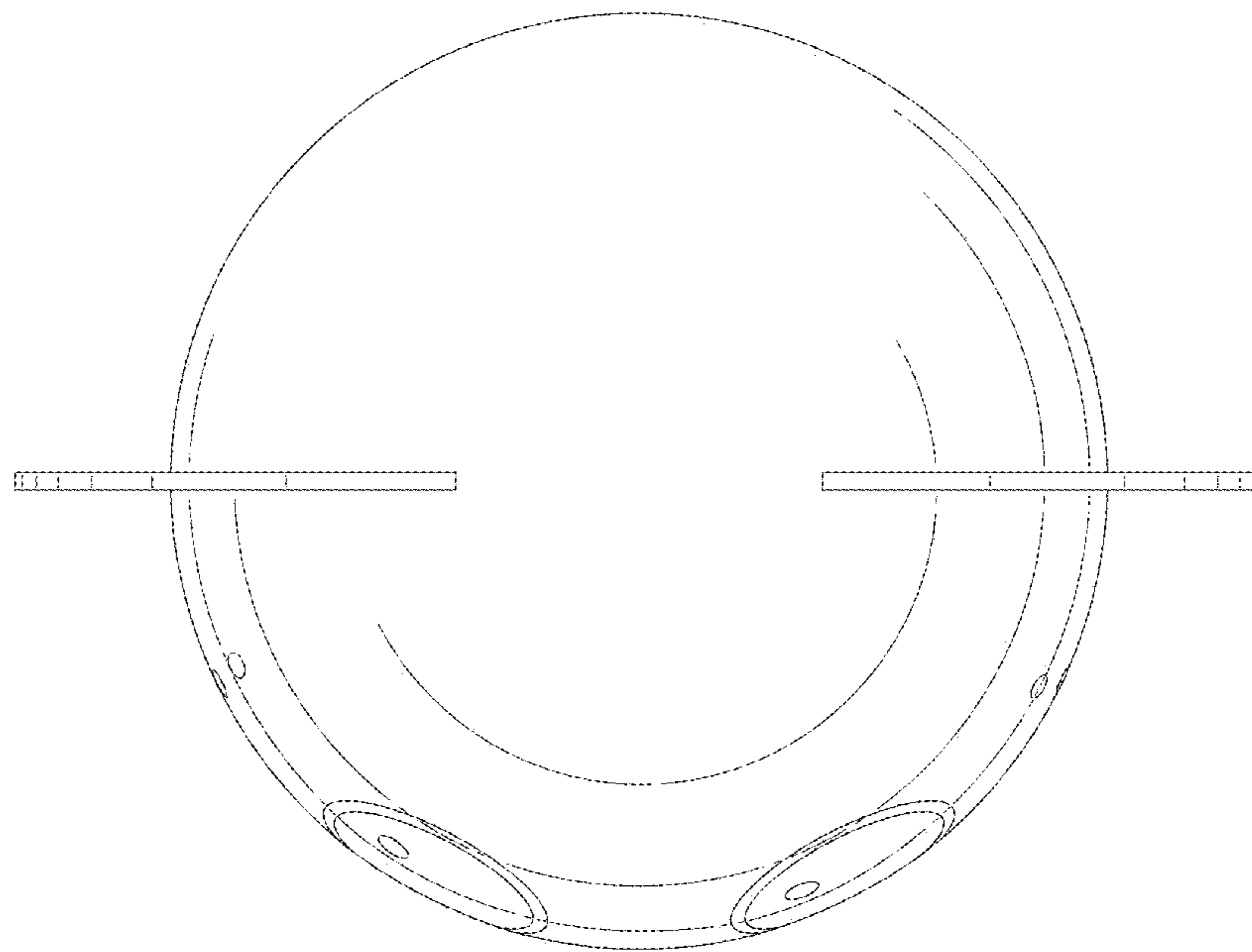


FIG.24

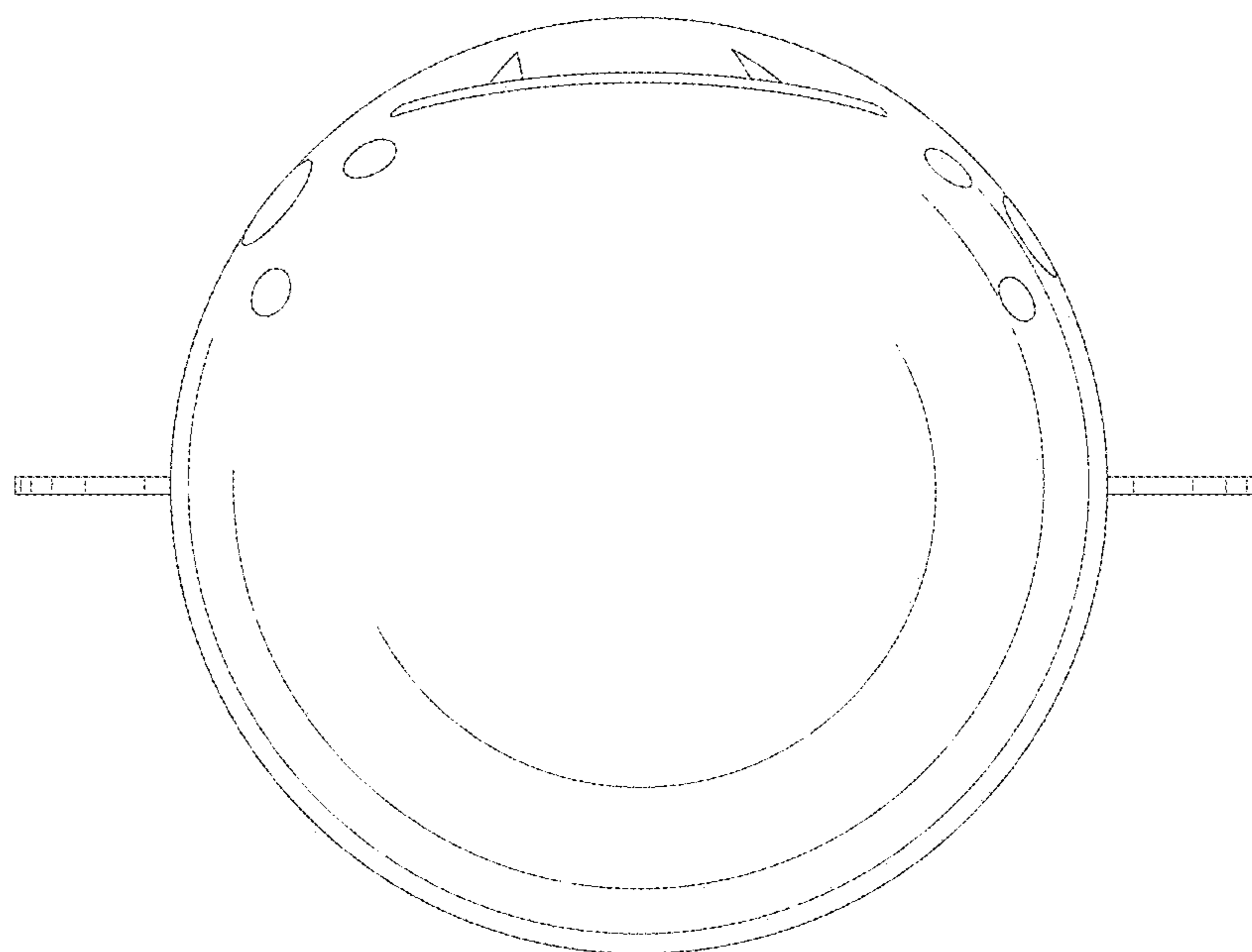


FIG.25