



US00D963046S

(12) **United States Design Patent** (10) **Patent No.:** **US D963,046 S**  
**Coon et al.** (45) **Date of Patent:** **\*\* Sep. 6, 2022**

(54) **GAMING MACHINE**  
(71) Applicant: **SG Gaming, Inc.**, Las Vegas, NV (US)  
(72) Inventors: **Robert C. Coon**, Chicago, IL (US);  
**Christian Kulujian**, Chicago, IL (US);  
**Paul M. Lesley**, Chicago, IL (US)  
(73) Assignee: **SG Gaming, Inc.**, Las Vegas, NV (US)

D512,105 S 11/2005 Chitrapongse et al.  
D539,854 S 4/2007 Luciano et al.  
D549,785 S \* 8/2007 Luciano, Jr. .... D21/329  
D564,600 S 3/2008 Greenberg et al.  
D564,601 S 3/2008 Strahinic et al.  
D566,197 S 4/2008 Greenberg et al.  
D572,314 S 7/2008 Vallejo et al.  
D577,077 S 9/2008 Mitchell et al.  
D579,500 S 10/2008 Luciano, Jr. et al.

(Continued)

(\*\*) Term: **15 Years**

**FOREIGN PATENT DOCUMENTS**

(21) Appl. No.: **29/735,230**

EM 007569199-0020 \* 1/2020

(22) Filed: **May 19, 2020**

**OTHER PUBLICATIONS**

(51) **LOC (13) Cl.** ..... **21-03**

(52) **U.S. Cl.**  
USPC ..... **D21/369**

APEX EVO Pinnacle 24, first available Jan. 16, 2016, youtube.com [online], site visited Dec. 22, 2021], Available from internet URL:https://www.youtube.com/watch?v=sZuNfwhrGBo (Year: 2016).\*

(Continued)

(58) **Field of Classification Search**  
USPC ..... D6/657, 662, 661, 663, 664.1, 667, 668,  
D6/669, 671, 671.1, 671.2, 672, 673;  
D14/129, 126, 127, 128, 138 G, 172, 248,  
D14/307, 325, 341, 371, 374, 375, 401,  
D14/432, 439, 450; D20/43; D21/325,  
D21/329, 369, 371, 370, 385, 394;  
D25/48.7

CPC .. G07F 17/34; G07F 17/3211; G07F 17/3213;  
G07F 17/3216; G07F 17/3244; G07F  
17/3267; G06F 1/1601; G06F 1/1652;  
G06F 1/1694; F16M 13/022; H04N 5/64

See application file for complete search history.

*Primary Examiner* — Garth Rademaker  
*Assistant Examiner* — Salamah Jordan  
(74) *Attorney, Agent, or Firm* — Banner & Witcoff, Ltd.

(57) **CLAIM**

The ornamental design for a gaming machine, as shown and described.

**DESCRIPTION**

FIG. 1 is a front perspective view of a gaming machine showing our new design; and, FIG. 2 is a top view thereof.

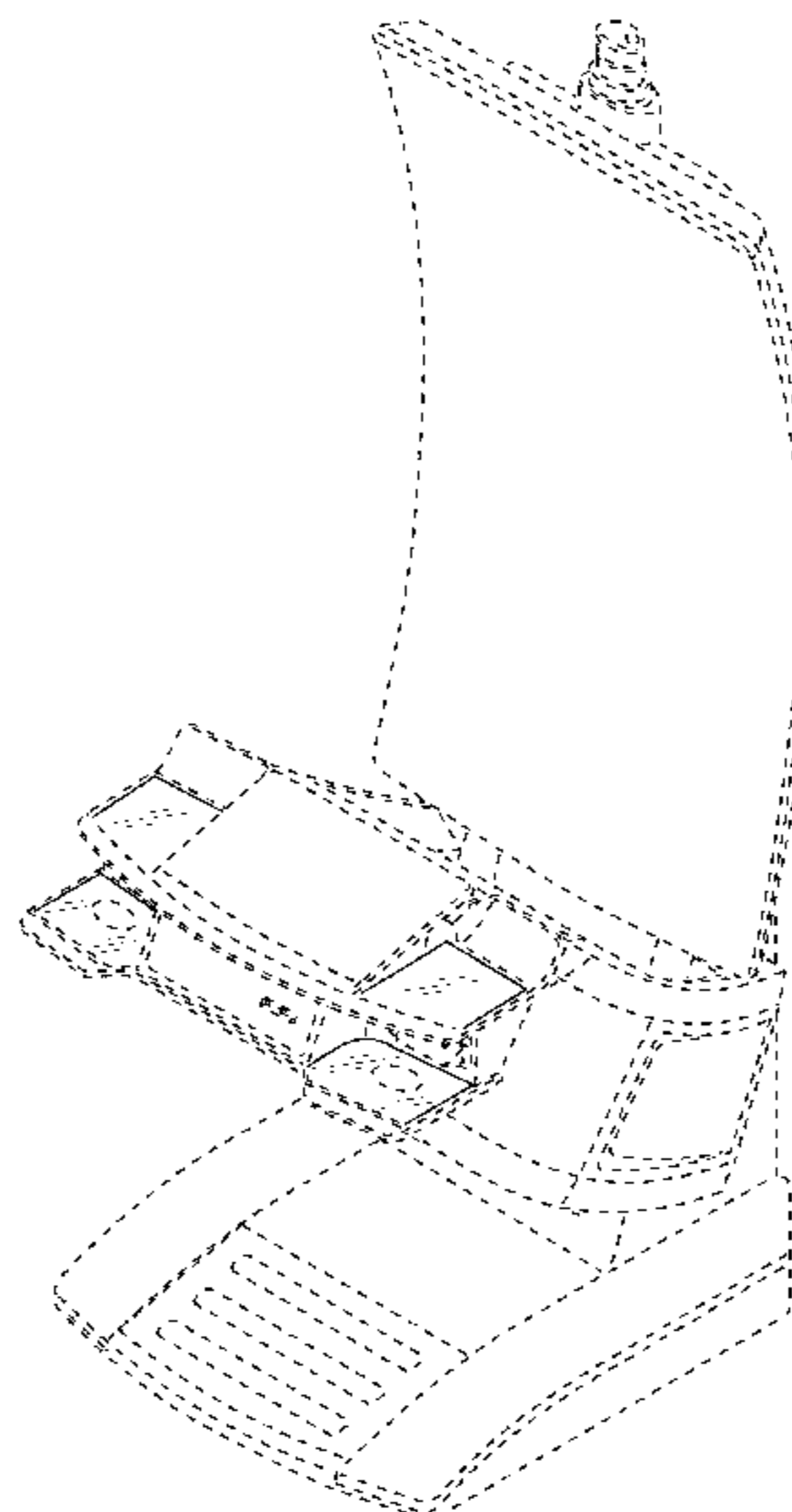
The broken lines immediately adjacent to the shaded areas define the bounds of the claimed design and form no part thereof. The oblique line shading shows that the surface is a transparent, translucent, highly polished, reflective, mirrored, or shiny surface. The broken lines illustrate portions of the gaming machine that form no part of the claimed design.

(56) **References Cited**

**U.S. PATENT DOCUMENTS**

D406,865 S 3/1999 Heidel  
6,334,612 B1 1/2002 Wurz et al.  
D459,402 S 6/2002 Wurz et al.  
D464,377 S \* 10/2002 Wurz ..... D21/369  
D495,754 S 9/2004 Wurz et al.  
D495,755 S 9/2004 Wurz et al.  
D508,268 S 8/2005 Hanchar et al.  
D509,254 S 9/2005 Rasmussen et al.

**1 Claim, 2 Drawing Sheets**



(56)

References Cited

U.S. PATENT DOCUMENTS

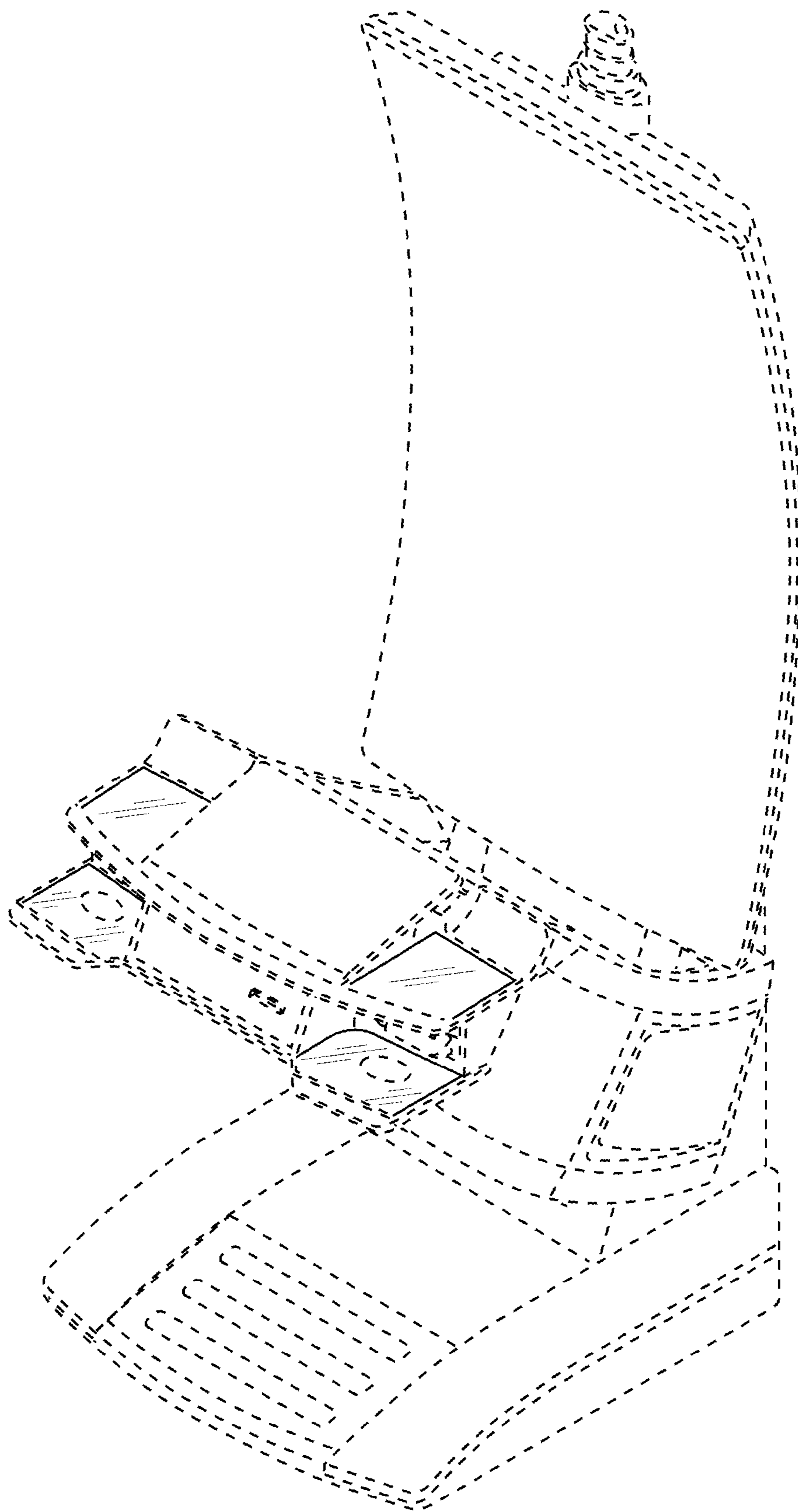
RE40,625 E 1/2009 Wurz et al.  
 RE40,671 E 3/2009 Wurz et al.  
 D595,783 S 7/2009 Anderson  
 D596,678 S 7/2009 Myers  
 D597,144 S 7/2009 Myers  
 D599,858 S 9/2009 Lesley et al.  
 D599,859 S 9/2009 Lesley et al.  
 D599,860 S 9/2009 Lesley et al.  
 D604,368 S 11/2009 Lesley et al.  
 D613,802 S 4/2010 Meyers et al.  
 D622,780 S 8/2010 Lesley et al.  
 D622,781 S 8/2010 Lesley et al.  
 D622,782 S 8/2010 Chudek et al.  
 D641,047 S \* 7/2011 Tahara ..... D21/325  
 D646,336 S 10/2011 Kelly et al.  
 D646,337 S 10/2011 Kelly et al.  
 D673,620 S \* 1/2013 Johnson ..... D21/369  
 D678,955 S 3/2013 Lesley et al.  
 D678,956 S 3/2013 Lesley et al.  
 D678,957 S 3/2013 Cesaroni et al.  
 D678,958 S 3/2013 Cesaroni et al.  
 D681,130 S 4/2013 Lesley et al.  
 D682,948 S 5/2013 Cesaroni et al.  
 D685,033 S 6/2013 Wudtke  
 D691,665 S 10/2013 Chudek  
 D691,666 S 10/2013 Lesley et al.  
 D697,558 S 1/2014 Myers et al.  
 D704,273 S 5/2014 Chudek  
 D704,275 S 5/2014 Lesley et al.  
 D706,359 S 6/2014 Wudtke  
 D706,741 S 6/2014 Myers  
 D712,975 S 9/2014 Lesley et al.  
 D714,392 S 9/2014 Arabian  
 D714,875 S 10/2014 Wudtke et al.  
 D715,364 S 10/2014 Wudtke et al.  
 D719,615 S \* 12/2014 Inoue ..... D21/370  
 D719,616 S 12/2014 Inoue et al.  
 D729,321 S 5/2015 Arabian  
 D730,993 S 6/2015 Castro et al.  
 D740,888 S 10/2015 DePalma et al.  
 D742,974 S 11/2015 Lesley et al.  
 D742,975 S 11/2015 Myers et al.  
 D760,846 S 7/2016 Castro et al.  
 RE46,169 E 10/2016 Kelly et al.  
 D778,365 S 2/2017 Kott et al.  
 D808,354 S \* 1/2018 Castro ..... D14/127  
 D812,146 S 3/2018 Castro et al.  
 D812,147 S 3/2018 Castro et al.  
 D812,148 S 3/2018 Castro et al.  
 D812,149 S 3/2018 Castro et al.  
 D819,747 S 6/2018 Castro et al.  
 D832,355 S 10/2018 Castro et al.  
 D832,356 S 10/2018 Castro et al.  
 D832,357 S 10/2018 Castro et al.  
 D832,358 S 10/2018 Castro et al.  
 D836,164 S 12/2018 Castro et al.  
 D842,933 S 3/2019 Castro et al.  
 D843,458 S 3/2019 Castro et al.  
 D843,459 S 3/2019 Castro et al.  
 D843,460 S 3/2019 Castro et al.  
 D843,461 S 3/2019 Castro et al.  
 D843,462 S 3/2019 Castro et al.  
 D843,463 S 3/2019 Castro et al.

D843,464 S 3/2019 Castro et al.  
 D843,465 S 3/2019 Castro et al.  
 D843,466 S 3/2019 Castro et al.  
 D843,470 S \* 3/2019 Castro ..... D21/369  
 D843,471 S \* 3/2019 Castro ..... D21/369  
 D843,472 S \* 3/2019 Castro ..... D21/369  
 D843,474 S 3/2019 Lesley et al.  
 D843,475 S 3/2019 Lesley et al.  
 D843,476 S 3/2019 Lesley et al.  
 D843,477 S 3/2019 Lesley et al.  
 D843,478 S 3/2019 Lesley et al.  
 D843,479 S 3/2019 Castro et al.  
 D843,480 S 3/2019 Castro et al.  
 D844,062 S 3/2019 Lesley et al.  
 10,325,446 B2 6/2019 Castro et al.  
 D871,506 S 12/2019 Castro et al.  
 D872,188 S \* 1/2020 Bernard ..... D21/369  
 D872,189 S 1/2020 Bernard et al.  
 D873,921 S 1/2020 Bernard et al.  
 D877,811 S 3/2020 Bernard et al.  
 D878,477 S 3/2020 Bernard et al.  
 D880,608 S 4/2020 Glenn, II et al.  
 D880,609 S 4/2020 Bernard et al.  
 D880,610 S 4/2020 Glenn, II et al.  
 D880,611 S 4/2020 Glenn, II et al.  
 D880,612 S 4/2020 Bernard et al.  
 D880,613 S 4/2020 Bernard et al.  
 D880,614 S 4/2020 Bernard et al.  
 D880,615 S 4/2020 Bernard et al.  
 D881,284 S 4/2020 Glenn et al.  
 D881,285 S 4/2020 Glenn et al.  
 D881,995 S \* 4/2020 Bernard ..... D21/369  
 D882,694 S 4/2020 Glenn et al.  
 D882,695 S 4/2020 Glenn et al.  
 D882,696 S 4/2020 Lesley et al.  
 D882,697 S 4/2020 Lesley et al.  
 D882,698 S 4/2020 Lesley et al.  
 D882,699 S 4/2020 Bernard et al.  
 D882,700 S 4/2020 Wudtke et al.  
 D883,391 S 5/2020 Urban  
 D883,393 S 5/2020 Bernard et al.  
 D884,079 S 5/2020 Glenn, II et al.  
 D886,905 S 6/2020 Bernard et al.  
 D887,495 S \* 6/2020 Bernard ..... D21/369  
 D887,496 S 6/2020 Urban  
 D920,439 S 5/2021 Jadeja et al.  
 D920,440 S 5/2021 Jadeja et al.  
 D920,441 S 5/2021 Jadeja et al.  
 D934,953 S 11/2021 Kaminkow et al.  
 2008/0039213 A1 2/2008 Cornell et al.  
 2015/0168792 A1 6/2015 Woo et al.  
 2016/0335835 A1 \* 11/2016 Castro ..... G07F 17/3216  
 2016/0352878 A1 12/2016 Kim et al.  
 2017/0118850 A1 4/2017 Kwon et al.  
 2019/0302849 A1 10/2019 Lee  
 2020/0133331 A1 4/2020 Ferris et al.

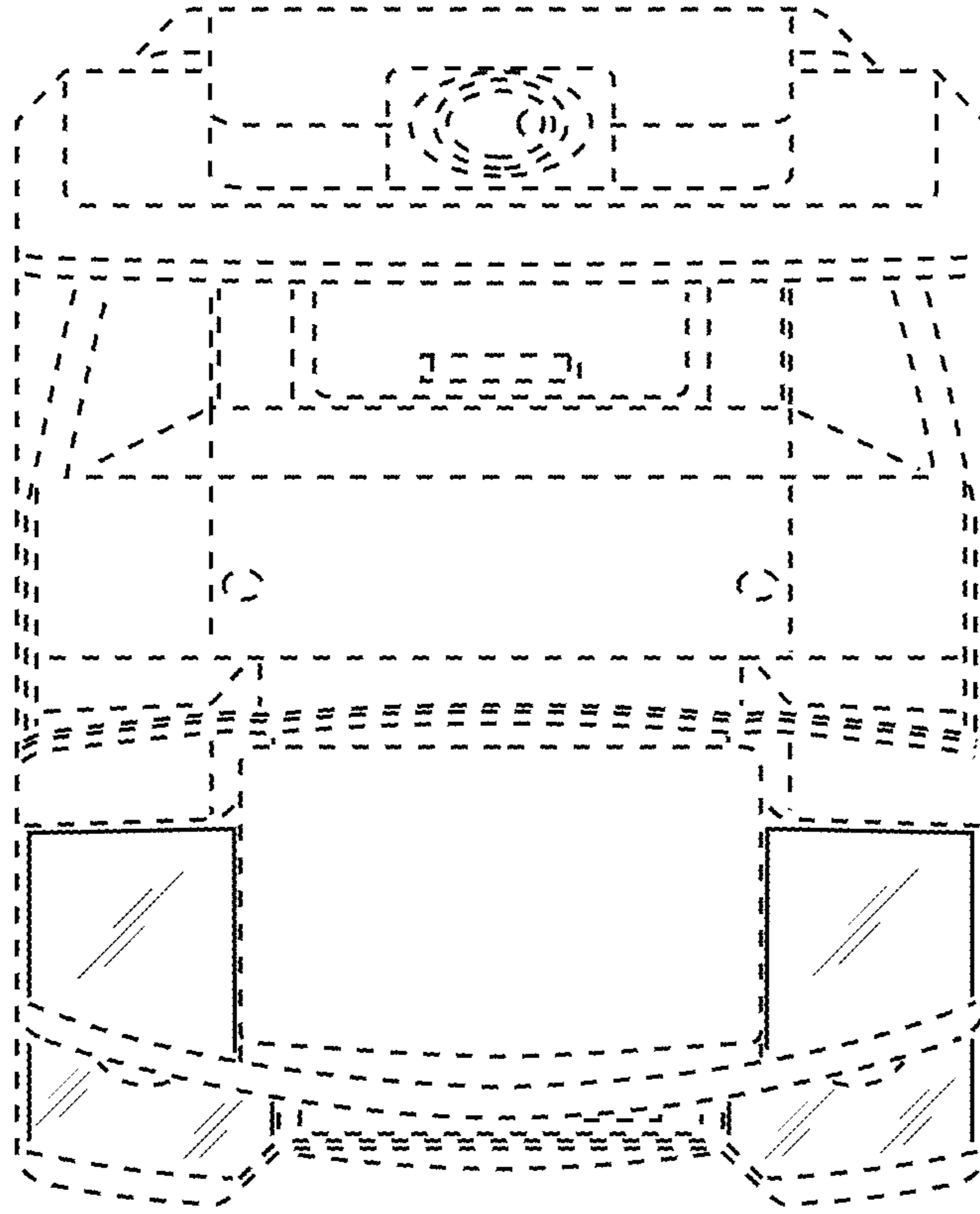
OTHER PUBLICATIONS

CDS Display Corner—43 inch Curved with PCAP Touch and LED Lights, first available Aug. 12, 2020, Youtube.com [online], site visited Dec. 15, 2021], Available from internet URL: <https://www.youtube.com/watch?v=6uD-wpYlgFQ> (Year: 2020).

\* cited by examiner



**FIG. 1**



**FIG. 2**