



US00D963045S

(12) **United States Design Patent** (10) **Patent No.:** **US D963,045 S**
Coon et al. (45) **Date of Patent:** **** Sep. 6, 2022**

(54) **GAMING MACHINE**
(71) Applicant: **SG Gaming, Inc.**, Las Vegas, NV (US)
(72) Inventors: **Robert C. Coon**, Chicago, IL (US);
Christian Kulujian, Chicago, IL (US);
Paul M. Lesley, Chicago, IL (US)
(73) Assignee: **SG Gaming, Inc.**, Las Vegas, NV (US)

D509,254 S 9/2005 Rasmussen et al.
D512,105 S 11/2005 Chitrapongse et al.
D539,854 S 4/2007 Luciano et al.
D549,785 S 8/2007 Luciano, Jr. et al.
D564,600 S 3/2008 Greenberg et al.
D564,601 S 3/2008 Strahinic et al.
D566,197 S 4/2008 Greenberg et al.
D572,314 S 7/2008 Vallejo et al.

(Continued)

(**) Term: **15 Years**

FOREIGN PATENT DOCUMENTS

EM 007569199-0020 * 1/2020

(21) Appl. No.: **29/735,215**

OTHER PUBLICATIONS

(22) Filed: **May 19, 2020**

CDS Display Corner—43 inch Curved with PCAP Touch and LED Lights, first available Aug. 12, 2020, Youtube.com [online], site visited Dec. 15, 2021], Available from internet URL: <https://www.youtube.com/watch?v=6uD-wpYIgFQ> (Year: 2020).*

(51) **LOC (13) Cl.** **21-03**

(52) **U.S. Cl.**
USPC **D21/369**

(Continued)

(58) **Field of Classification Search**
USPC D6/657, 662, 661, 663, 664.1, 667, 668,
D6/669, 671, 671.1, 671.2, 672, 673;
D14/129, 126, 127, 128, 138 G, 172, 248,
D14/307, 325, 341, 371, 374, 375, 401,
D14/432, 439, 450; D20/43; D21/325,
D21/329, 369, 371, 370, 385, 394;
D25/48.7

Primary Examiner — Garth Rademaker
Assistant Examiner — Salamah Jordan
(74) *Attorney, Agent, or Firm* — Banner & Witcoff, Ltd.

CPC .. G07F 17/34; G07F 17/3211; G07F 17/3213;
G07F 17/3216; G07F 17/3244; G07F
17/3267; G06F 1/1601; G06F 1/1652;
G06F 1/1694; F16M 13/022; H04N 5/64
See application file for complete search history.

(57) **CLAIM**

The ornamental design for a gaming machine, as shown and described.

(56) **References Cited**

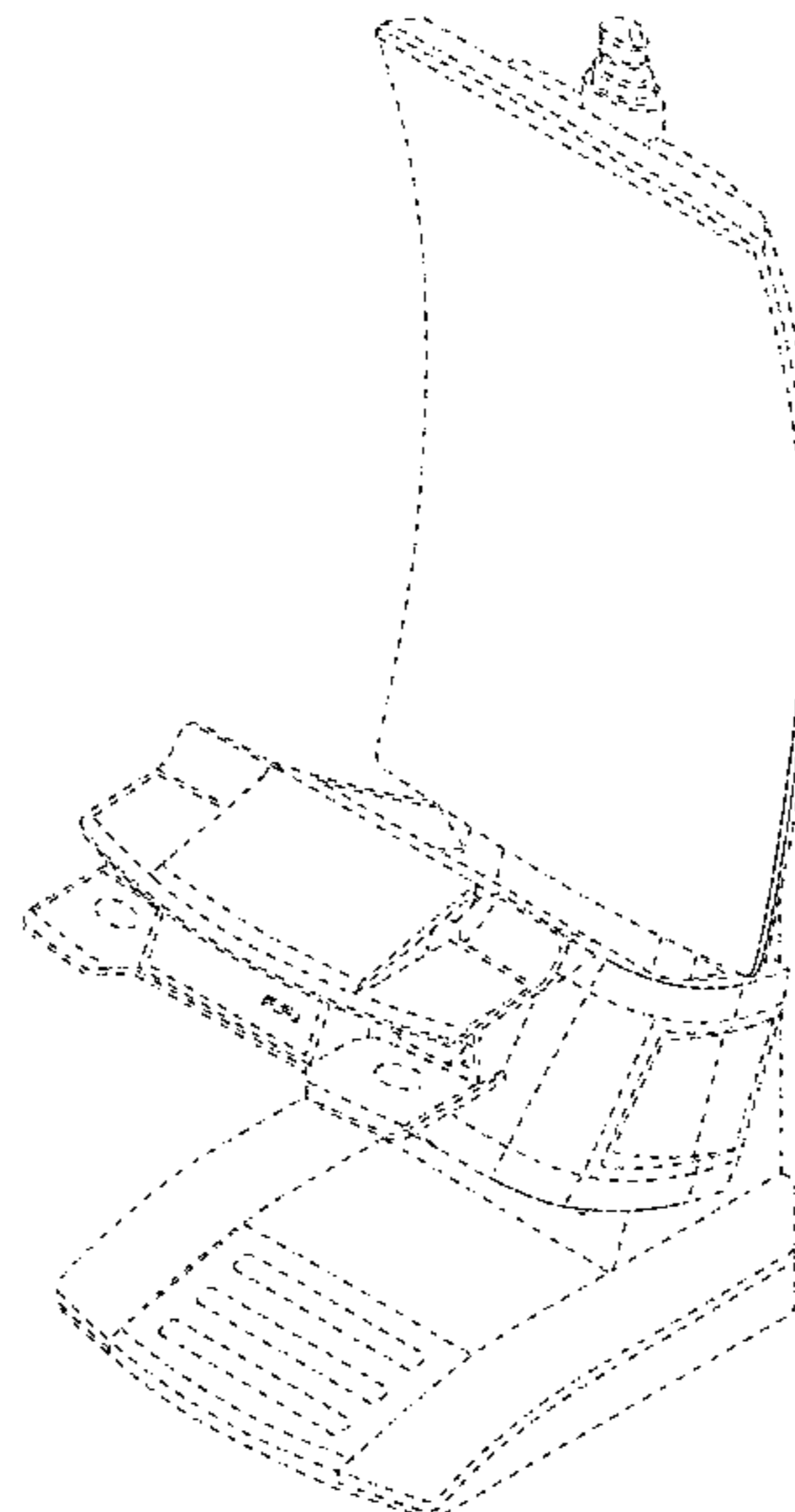
U.S. PATENT DOCUMENTS

D406,865 S 3/1999 Heidel
6,334,612 B1 1/2002 Wurz et al.
D459,402 S 6/2002 Wurz et al.
D464,377 S 10/2002 Wurz et al.
D495,754 S 9/2004 Wurz et al.
D495,755 S 9/2004 Wurz et al.
D508,268 S 8/2005 Hanchar et al.

DESCRIPTION

FIG. 1 is a front, right side, perspective view of embodiment one, of a gaming machine, showing our new design; FIG. 2 is a right side view thereof; FIG. 3 is a front, left side, perspective view of embodiment two, of a gaming machine, showing our new design; and, FIG. 4 is a left side view thereof. The unshaded regions form no part of the claimed design. The broken lines illustrate portions of the gaming machine that form no part of the claimed design.

1 Claim, 4 Drawing Sheets



(56)

References Cited

U.S. PATENT DOCUMENTS

D577,077 S 9/2008 Mitchell et al.
 D579,500 S 10/2008 Luciano, Jr. et al.
 RE40,625 E 1/2009 Wurz et al.
 RE40,671 E 3/2009 Wurz et al.
 D595,783 S 7/2009 Anderson
 D596,678 S 7/2009 Myers
 D597,144 S 7/2009 Myers
 D599,858 S 9/2009 Lesley et al.
 D599,859 S 9/2009 Lesley et al.
 D599,860 S 9/2009 Lesley et al.
 D604,368 S 11/2009 Lesley et al.
 D613,802 S 4/2010 Meyers et al.
 D622,780 S 8/2010 Lesley et al.
 D622,781 S 8/2010 Lesley et al.
 D622,782 S 8/2010 Chudek et al.
 D641,047 S 7/2011 Tahara et al.
 D646,336 S 10/2011 Kelly et al.
 D646,337 S 10/2011 Kelly et al.
 D673,620 S 1/2013 Johnson et al.
 D678,955 S 3/2013 Lesley et al.
 D678,956 S 3/2013 Lesley et al.
 D678,957 S 3/2013 Cesaroni et al.
 D678,958 S 3/2013 Cesaroni et al.
 D681,130 S 4/2013 Lesley et al.
 D682,948 S 5/2013 Cesaroni et al.
 D685,033 S 6/2013 Wudtke
 D691,665 S 10/2013 Chudek
 D691,666 S 10/2013 Lesley et al.
 D697,558 S 1/2014 Myers et al.
 D704,273 S 5/2014 Chudek
 D704,275 S 5/2014 Lesley et al.
 D706,359 S 6/2014 Wudtke
 D706,741 S 6/2014 Myers
 D712,975 S 9/2014 Lesley et al.
 D714,392 S 9/2014 Arabian
 D714,875 S 10/2014 Wudtke et al.
 D715,364 S 10/2014 Wudtke et al.
 D719,615 S * 12/2014 Inoue D21/370
 D719,616 S * 12/2014 Inoue D21/370
 D729,321 S 5/2015 Arabian
 D730,993 S * 6/2015 Castro D21/385
 D740,888 S 10/2015 DePalma et al.
 D742,974 S 11/2015 Lesley et al.
 D742,975 S 11/2015 Myers et al.
 D760,846 S * 7/2016 Castro D21/385
 RE46,169 E 10/2016 Kelly et al.
 D778,365 S * 2/2017 Kott D20/43
 D808,354 S 1/2018 Castro et al.
 D812,146 S 3/2018 Castro et al.
 D812,147 S 3/2018 Castro et al.
 D812,148 S 3/2018 Castro et al.
 D812,149 S 3/2018 Castro et al.
 D819,747 S 6/2018 Castro et al.
 D832,355 S 10/2018 Castro et al.
 D832,356 S 10/2018 Castro et al.
 D832,357 S 10/2018 Castro et al.
 D832,358 S 10/2018 Castro et al.
 D836,164 S 12/2018 Castro et al.
 D842,933 S 3/2019 Castro et al.
 D843,458 S 3/2019 Castro et al.
 D843,459 S 3/2019 Castro et al.
 D843,460 S 3/2019 Castro et al.
 D843,461 S 3/2019 Castro et al.

D843,462 S 3/2019 Castro et al.
 D843,463 S 3/2019 Castro et al.
 D843,464 S 3/2019 Castro et al.
 D843,465 S 3/2019 Castro et al.
 D843,466 S 3/2019 Castro et al.
 D843,470 S 3/2019 Castro et al.
 D843,471 S 3/2019 Castro et al.
 D843,472 S 3/2019 Castro et al.
 D843,474 S 3/2019 Lesley et al.
 D843,475 S 3/2019 Lesley et al.
 D843,476 S 3/2019 Lesley et al.
 D843,477 S 3/2019 Lesley et al.
 D843,478 S 3/2019 Lesley et al.
 D843,479 S 3/2019 Castro et al.
 D843,480 S 3/2019 Castro et al.
 D844,062 S 3/2019 Lesley et al.
 10,325,446 B2 6/2019 Castro et al.
 D871,506 S 12/2019 Castro et al.
 D872,188 S 1/2020 Bernard et al.
 D872,189 S 1/2020 Bernard et al.
 D873,921 S 1/2020 Bernard et al.
 D877,811 S 3/2020 Bernard et al.
 D878,477 S 3/2020 Bernard et al.
 D880,608 S 4/2020 Glenn, II et al.
 D880,609 S 4/2020 Bernard et al.
 D880,610 S 4/2020 Glenn, II et al.
 D880,611 S 4/2020 Glenn, II et al.
 D880,612 S 4/2020 Bernard et al.
 D880,613 S 4/2020 Bernard et al.
 D880,614 S 4/2020 Bernard et al.
 D880,615 S 4/2020 Bernard et al.
 D881,284 S 4/2020 Glenn et al.
 D881,285 S 4/2020 Glenn et al.
 D881,995 S 4/2020 Bernard et al.
 D882,694 S 4/2020 Glenn et al.
 D882,695 S 4/2020 Glenn et al.
 D882,696 S 4/2020 Lesley et al.
 D882,697 S 4/2020 Lesley et al.
 D882,698 S 4/2020 Lesley et al.
 D882,699 S 4/2020 Bernard et al.
 D882,700 S 4/2020 Wudtke et al.
 D883,391 S 5/2020 Urban
 D883,393 S 5/2020 Bernard et al.
 D884,079 S 5/2020 Glenn, II et al.
 D886,905 S 6/2020 Bernard et al.
 D887,495 S 6/2020 Bernard et al.
 D887,496 S 6/2020 Urban
 D920,439 S * 5/2021 Jadeja D21/385
 D920,440 S * 5/2021 Jadeja D21/385
 D920,441 S * 5/2021 Jadeja D21/385
 D934,953 S * 11/2021 Kaminkow D21/300
 2008/0039213 A1 2/2008 Cornell et al.
 2015/0168792 A1 * 6/2015 Woo H04N 5/64
 2016/0335835 A1 11/2016 Castro et al.
 2016/0352878 A1 * 12/2016 Kim G06F 1/1694
 2017/0118850 A1 * 4/2017 Kwon F16M 13/022
 2019/0302849 A1 * 10/2019 Lee G06F 1/1652
 2020/0133331 A1 * 4/2020 Ferris G06F 1/1601

OTHER PUBLICATIONS

Apex Evo Pinnacle 24, first available Jan. 16, 2016, youtube.com [online], site visited Dec. 22, 2021], Available from internet URL: <https://www.youtube.com/watch?v=sZuNfwhrGBo> (Year: 2016).

* cited by examiner

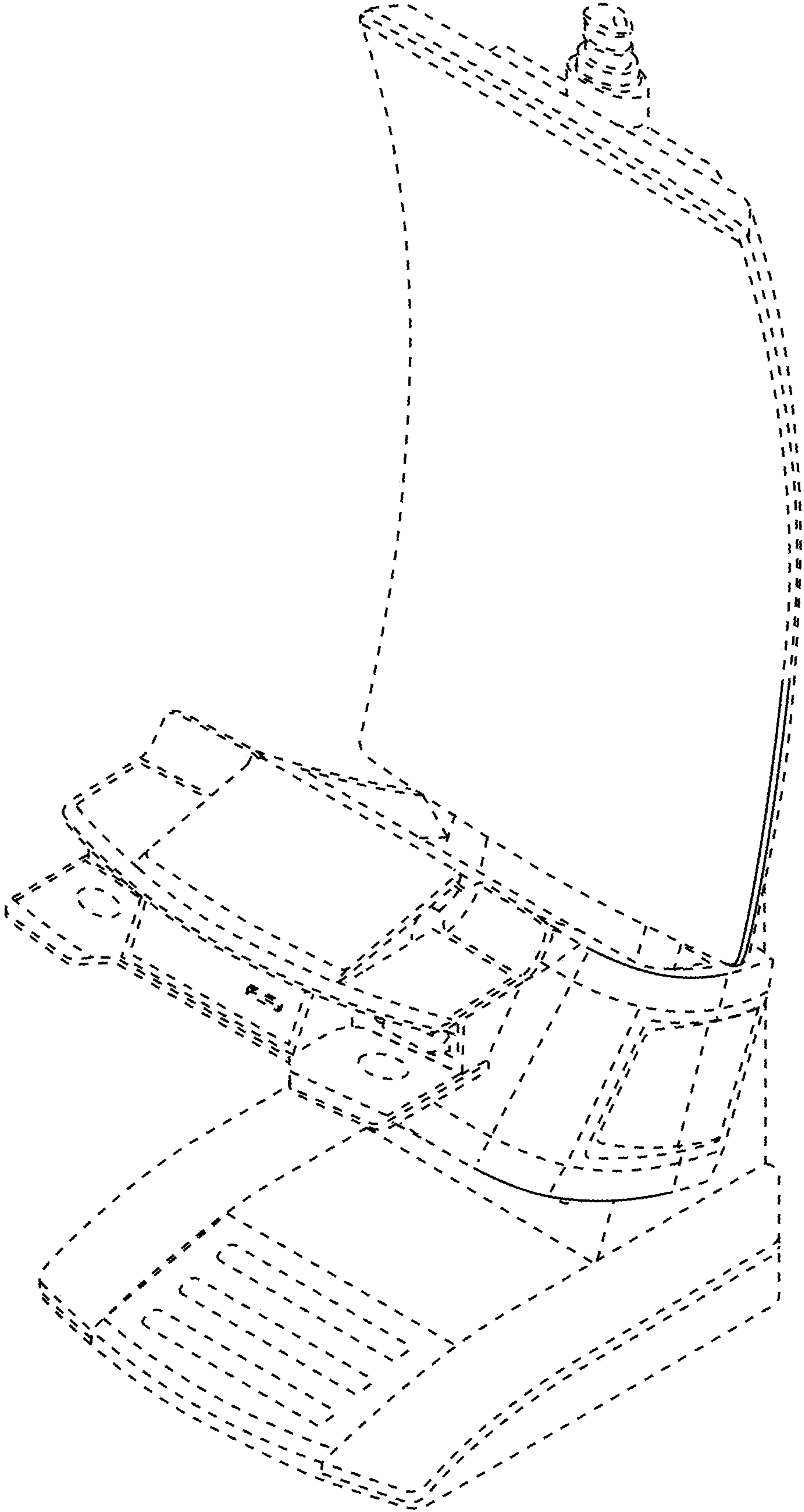


FIG. 1

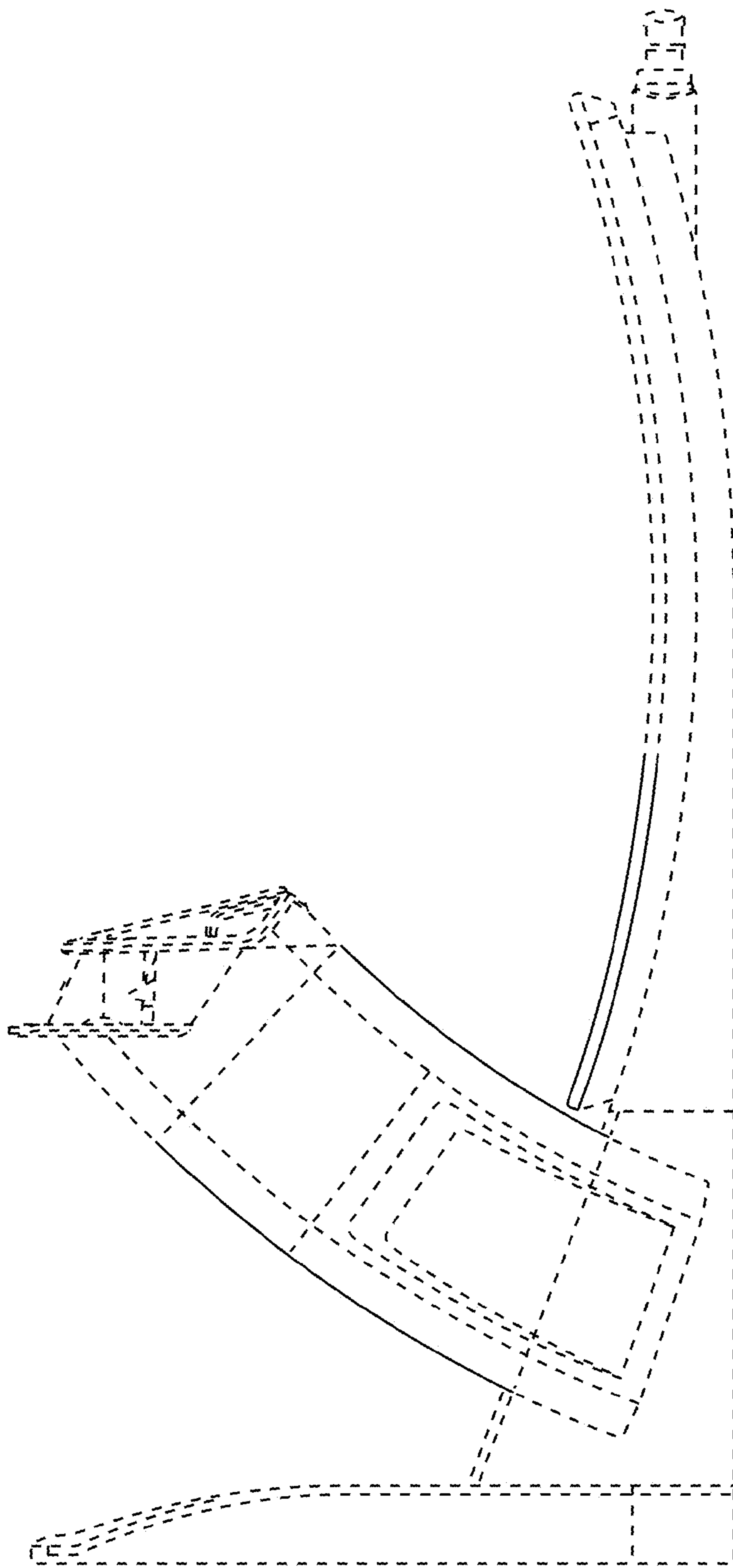


FIG. 2

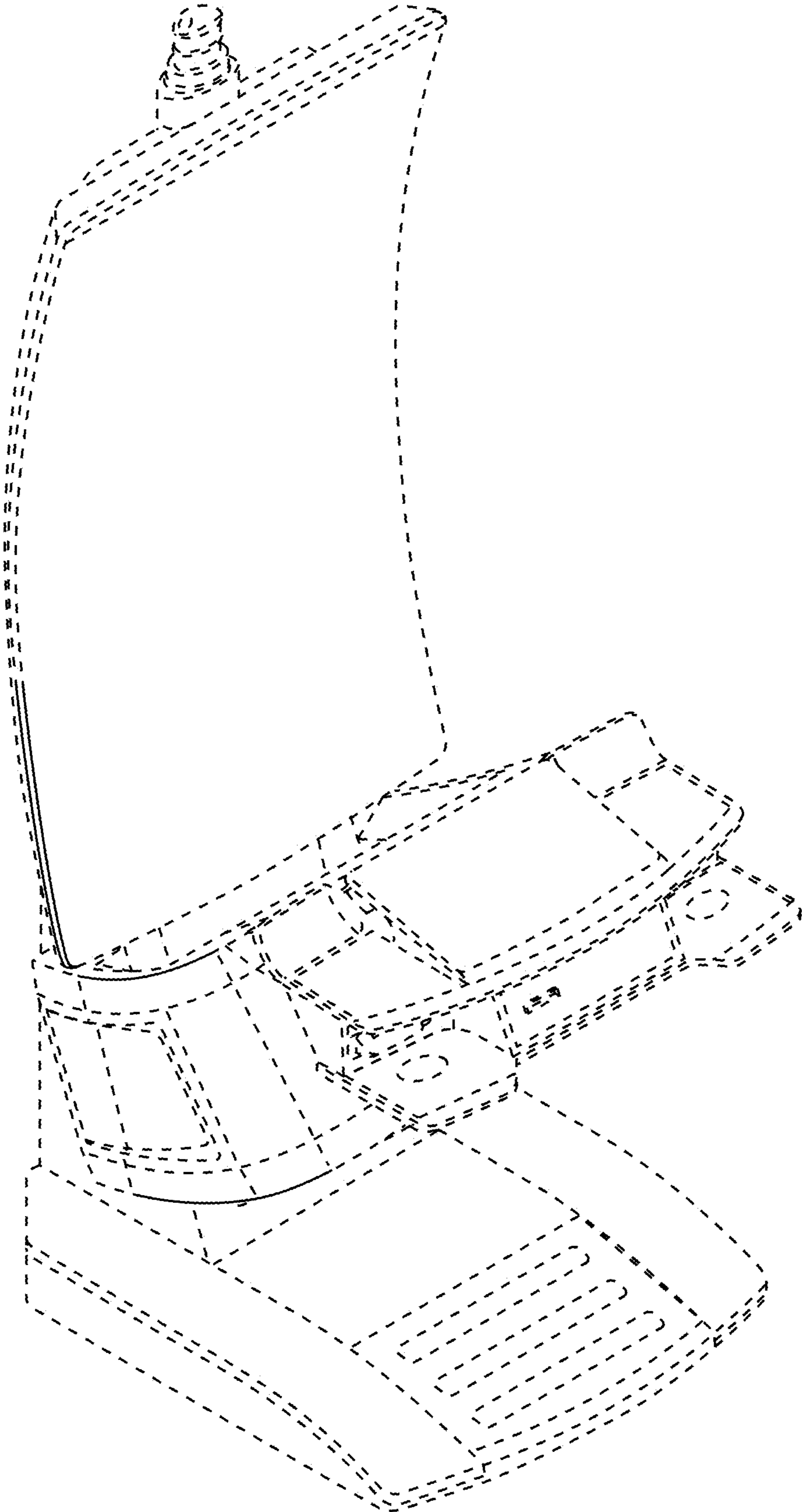


FIG. 3

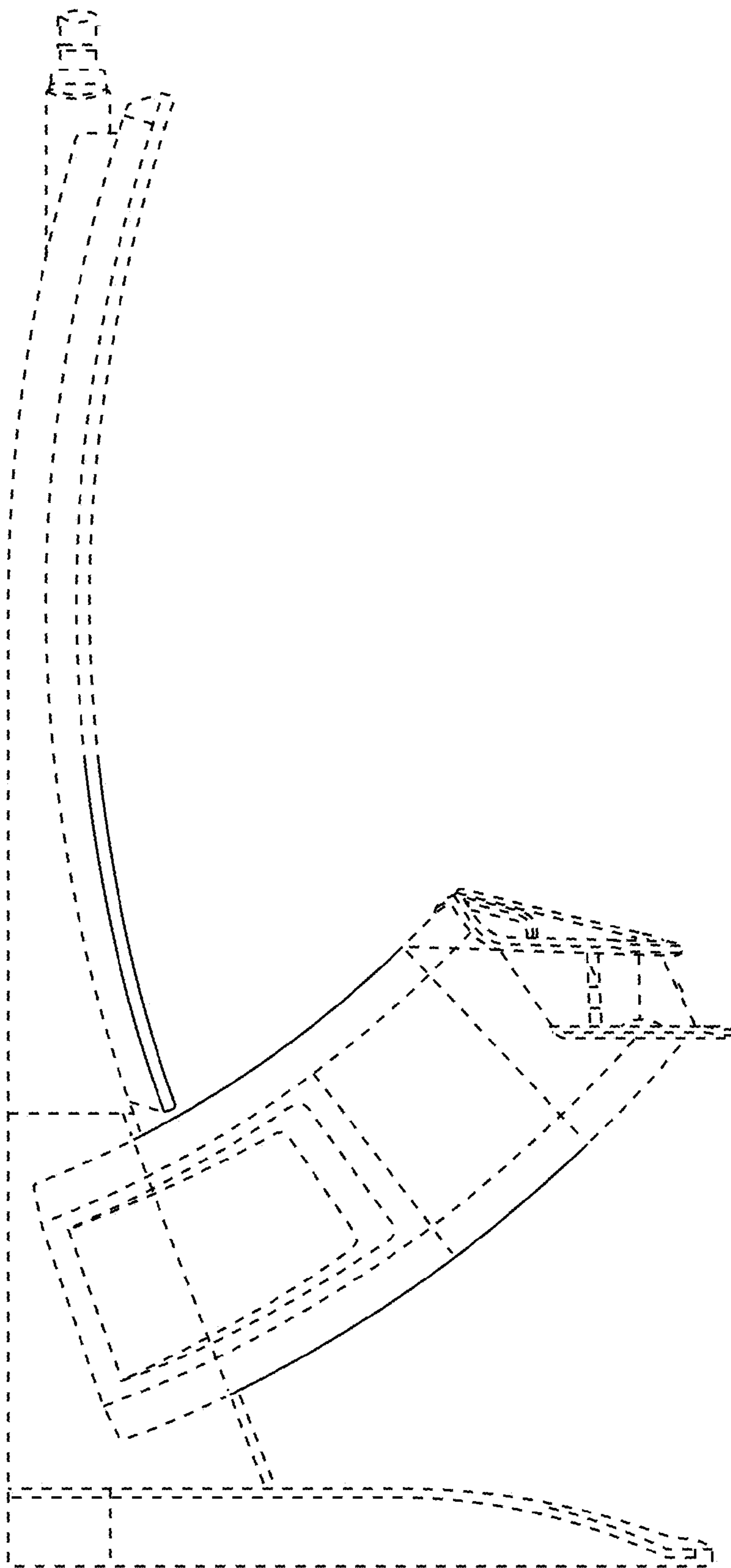


FIG. 4